

# CITY OF COON RAPIDS

ANOKA COUNTY, MINNESOTA

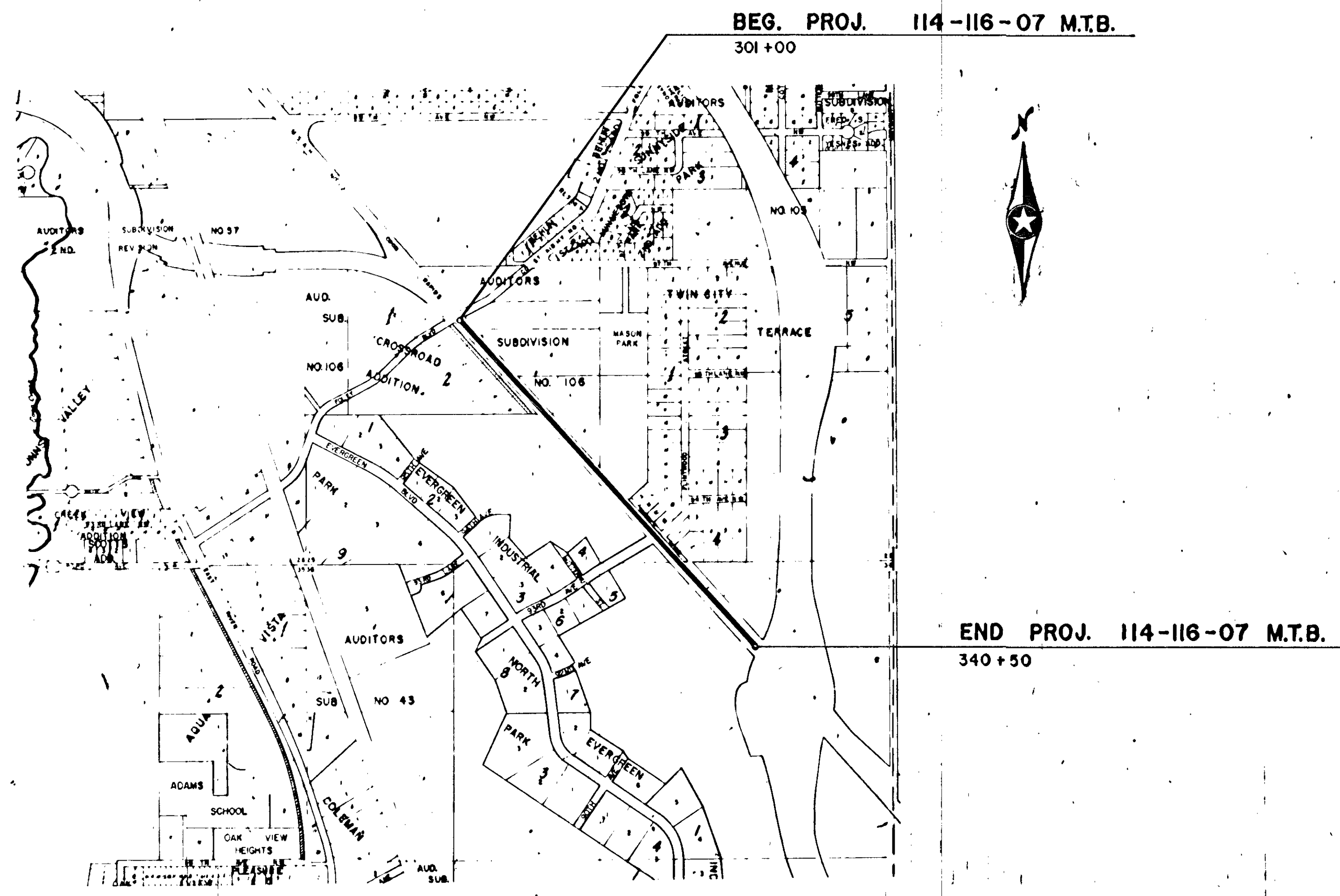
## CONSTRUCTION PLANS FOR BITUMINOUS SURFACING

PROJECT NO. 114-116-07 MTB, C.P. 72-3B  
 COON RAPIDS BOULEVARD  
 FOLEY BLVD. TO TH. 47

**SPECIFICATIONS**  
 THE STATE OF MINNESOTA, DEPT. OF HIGHWAYS "STANDARD SPECIFICATIONS FOR HIGHWAY CONSTRUCTION", DATED JANUARY 1, 1972 AND AMENDED BY "SUPPLEMENTAL SPECIFICATION" DATE JANUARY 1, 1974 SHALL GOVERN.

**CONVENTIONAL SYMBOLS**

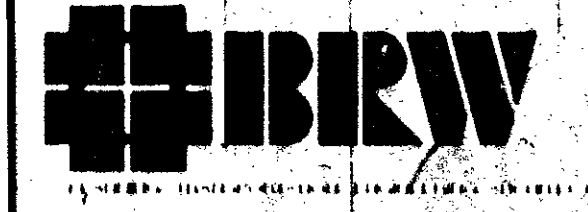
EXISTING	ITEM	PROPOSED
INP M.H. 8" V.C.P.	SANITARY SEWER	M.H. 1 8"
4" D.I.P.	FORCEMAIN	4" D.I.P.
GY HYD. 6" C.I.P.	WATERMAIN	6" B.V. 1/2 HYDRANT 6" B.V. 6" D.I.P.
INP M.H. INP C.B.	STORM SEWER	18" ST. M.H. 1 15" C.B. 3 15"
INP 24" C.M.P.	CULVERT	
	DITCH OR SWALE	
	SIGNAL AND CONDUIT	
	LIGHT STANDARD	
	SIGN	
	FENCE	
	GUARDRAIL	
	RIGHT OF WAY	
	PROPERTY LINE	
680	CONTOURS	80ft
679		79
	PUBLIC UTILITIES	
	TELEPHONE	
	POWER	
	GAS	

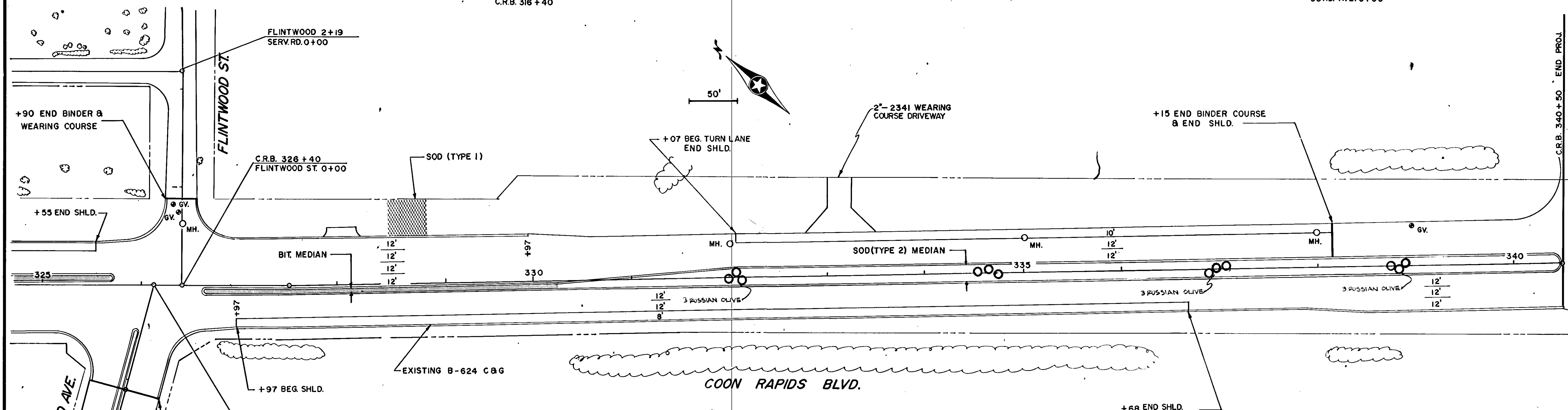
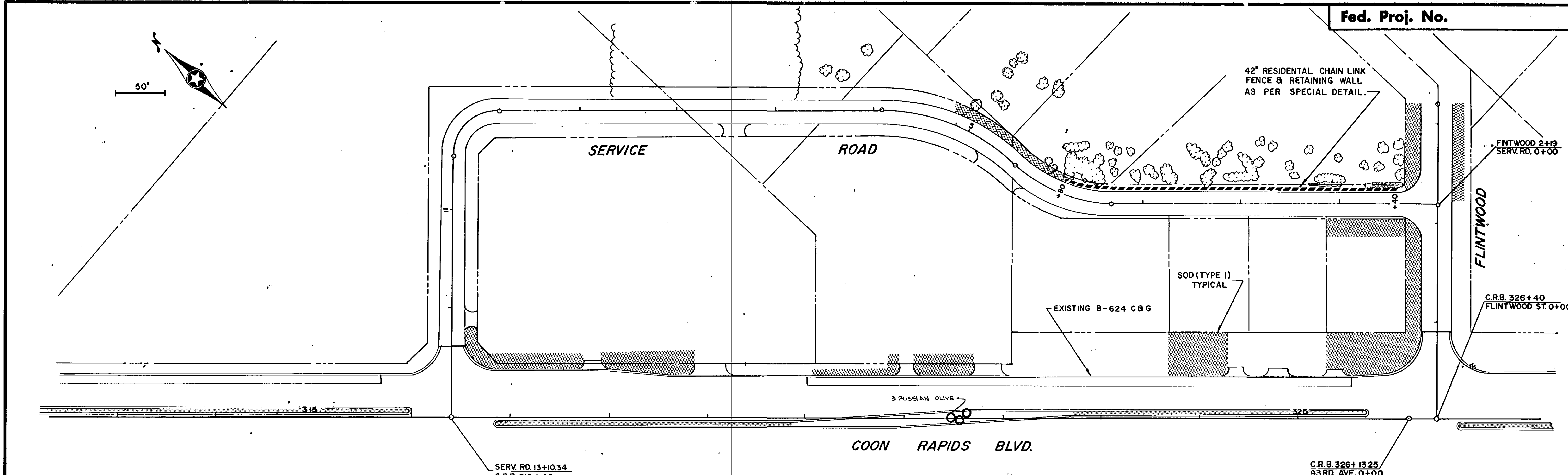


**INDEX**

SHEET NO.	DESCRIPTION
1	TITLE SHEET
2	DETAILS
3	TYPICAL SECTIONS
485	PLAN
6	CROSS-SECTION

<p><b>DESIGN DATA</b></p> <p>ANTICIPATED ADT : 12000-24000                  ANTICIPATED HCADT : OVER 1100                  PAVEMENT DESIGN : 9 TON                  SOIL FACTOR : A-3                  DESIGN SPEED : 50 M.P.H.</p>		<p>Recommended for Approval <i>Stephen A. Venzel</i> Date 3-26-75                  CITY ENGINEER</p> <p>Recommended for Approval <i>P. C. Weickert</i> Date 3-10-75                  DISTRICT STATE AID ENGINEER</p> <p>Recommended for Approval <i>Jerry Solon</i> Date 3-20-75                  STATE AID ENGINEER</p> <p>Approved <i>Robert M. J...</i> Date 3/21/75                  STATE AID ENGINEER</p>									
<p><b>REVISIONS</b></p> <table border="1"> <thead> <tr> <th>SHEET NO.</th> <th>BY</th> <th>SHEET NO.</th> <th>BY</th> </tr> </thead> <tbody> <tr> <td> </td> <td> </td> <td> </td> <td> </td> </tr> </tbody> </table>		SHEET NO.	BY	SHEET NO.	BY					<p>I hereby certify that this plan, specification, or report was prepared by me or under my direct supervision and that I am a duly Registered Professional Engineer under the laws of the State of Minnesota.</p> <p><i>Lawrence Gladue</i>                  Date 11/30/75 Reg. No. 9075</p>	
SHEET NO.	BY	SHEET NO.	BY								
<p>State Proj. No. 114-116-07 MTB <i>As-Built 1/14/76 D.B.</i></p>		<p>Sheet No. 1 of 6 Sheets</p>									

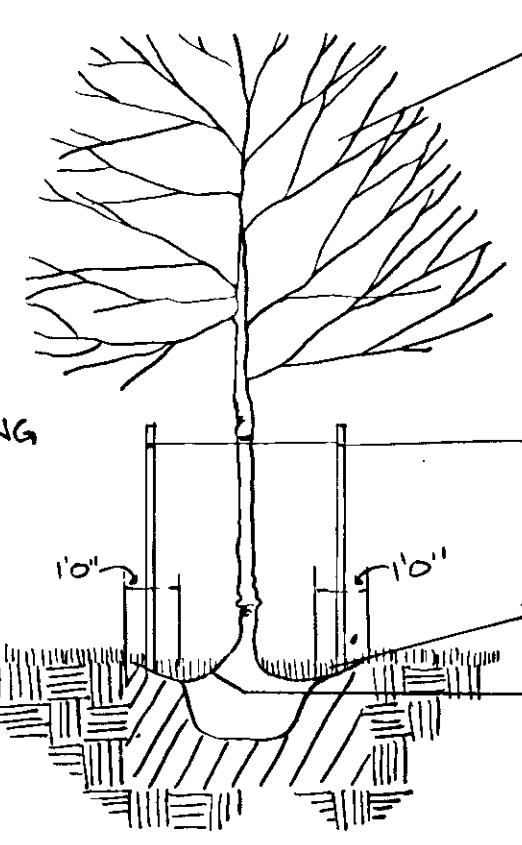
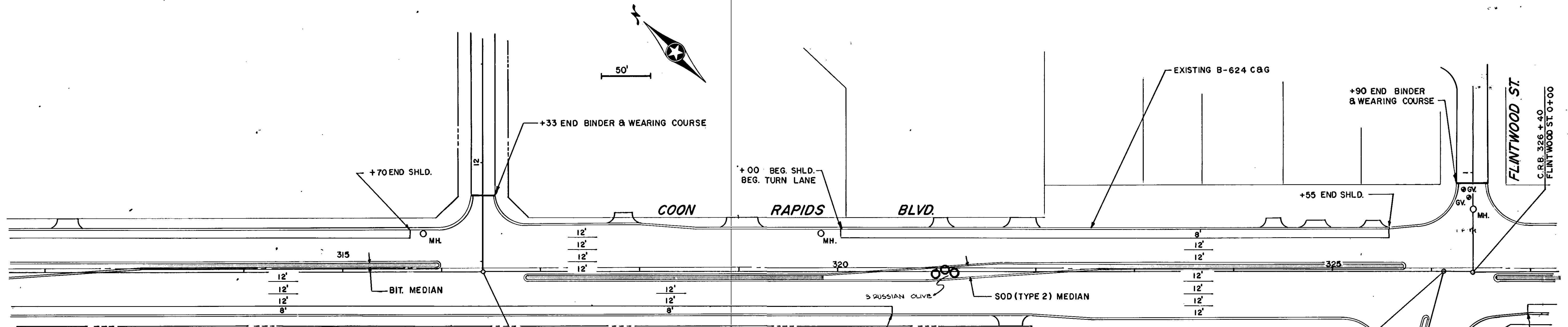
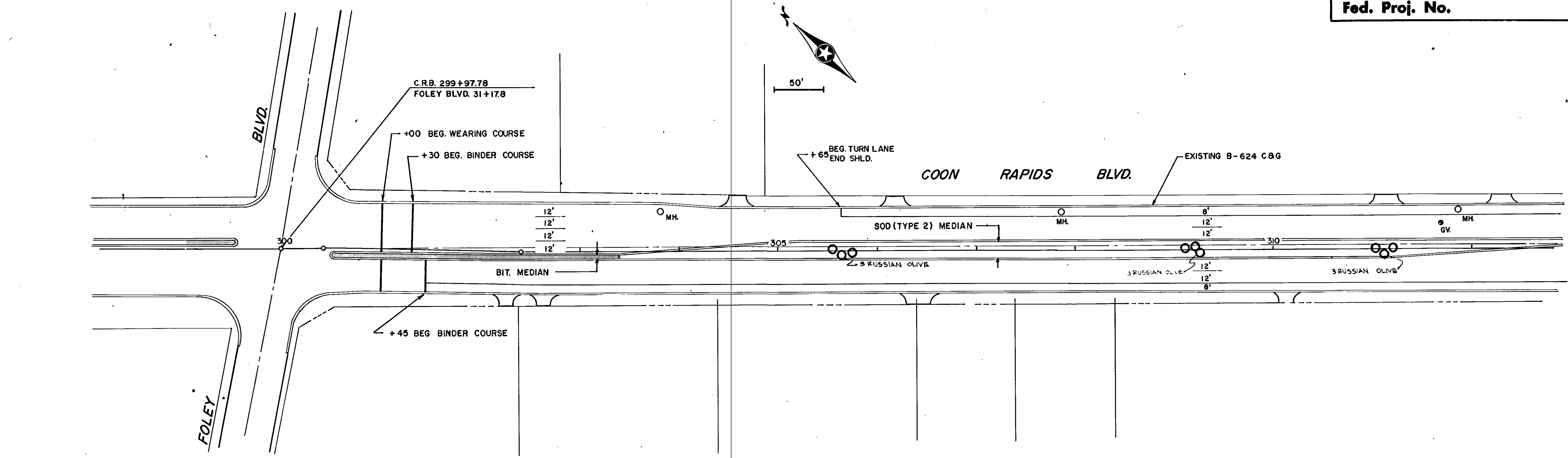




PLANT LIST

QUAN.	SIZE	BOTANICAL NAME	COMMON NAME
12	6-8" BB	ELEAGNUS ANGSTIFOLIA	RUSSIAN OLIVE

PLAN			
PLAN BY VJH		CHECKED BY	
PROFILE BY		APPROVED BY	
AS BUILT VJH	BATHUR RINGROSE WOLFELD, INC. 7101 YORK AVENUE SOUTH EDINA, MINNESOTA 55425	PROJECT NO. 14-116	COMM. NO.
DRAWING NO.	DATE:	SCALE HOR. 1" = 50' VERT. 1" = 5'	



THIN BRANCHES AND FOLIAGE BY 1/3 - RETAIN NORMAL TREE FORM NEVER CUT LEADER.

NOTE: NO STAKING OR GUYING FOR TREES WITH LESS THAN 1 1/4" DIAMETER.

NOTE ALL TREES TO BE WRAPPED 2 FEET UP FOR PROTECTION.

STAKES, 2"x2" PROTECT TREES FROM WIRE BY RUBBER HOSE.

3" SAUCER TO RELIEVE A HUMUS MULCH.

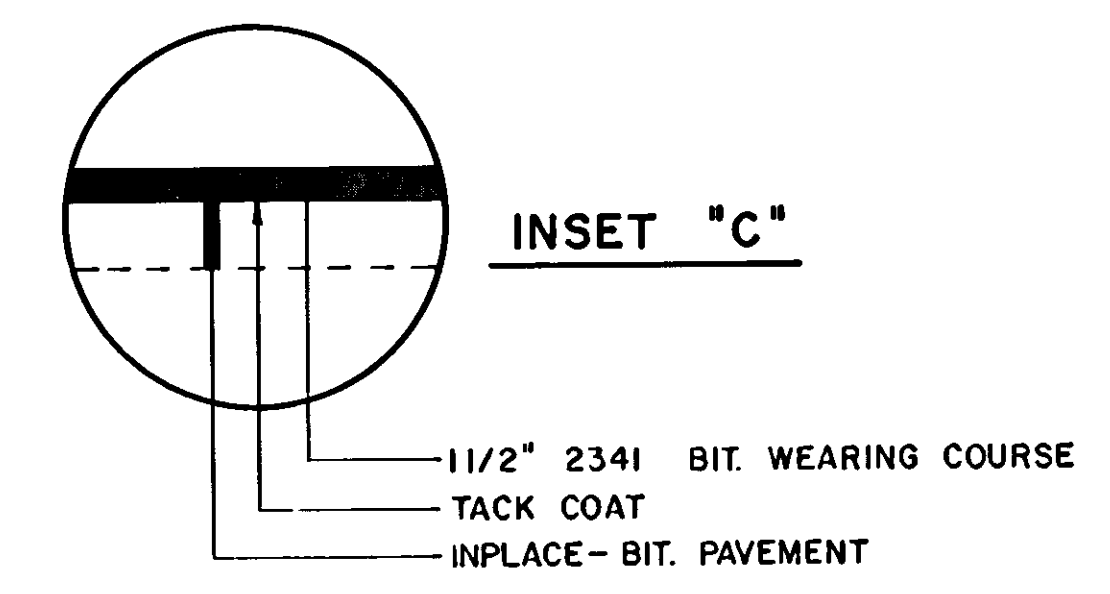
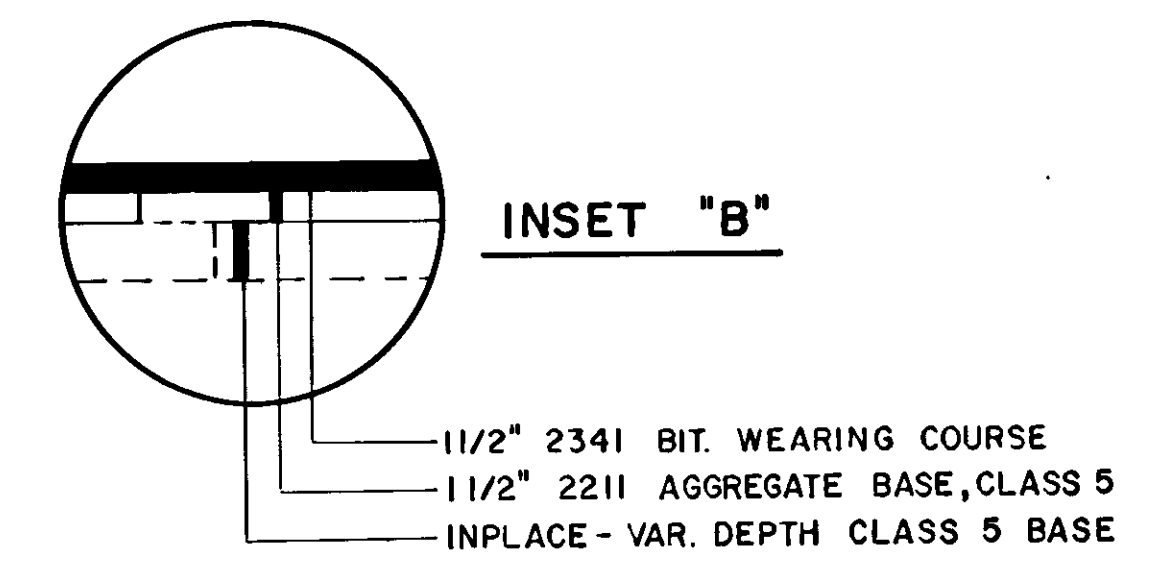
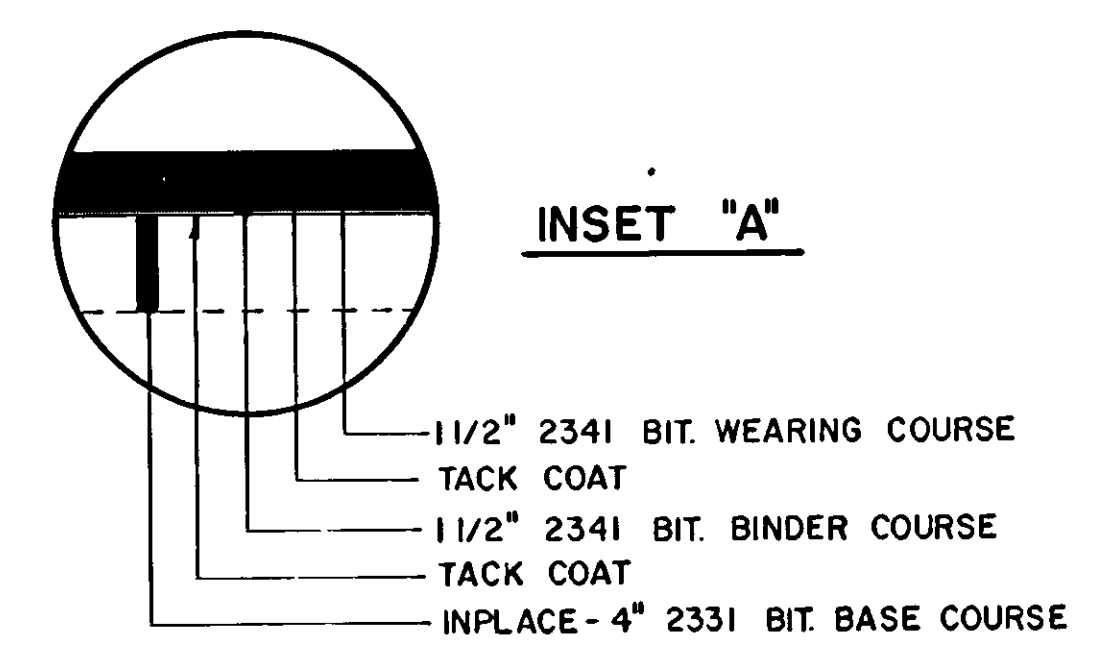
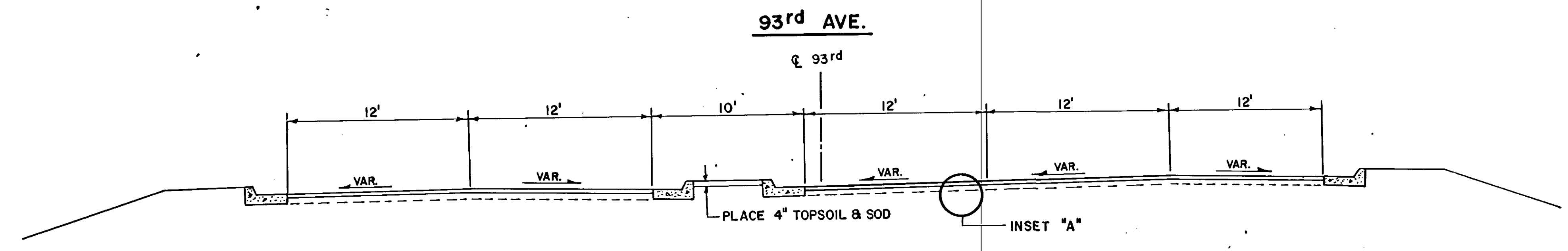
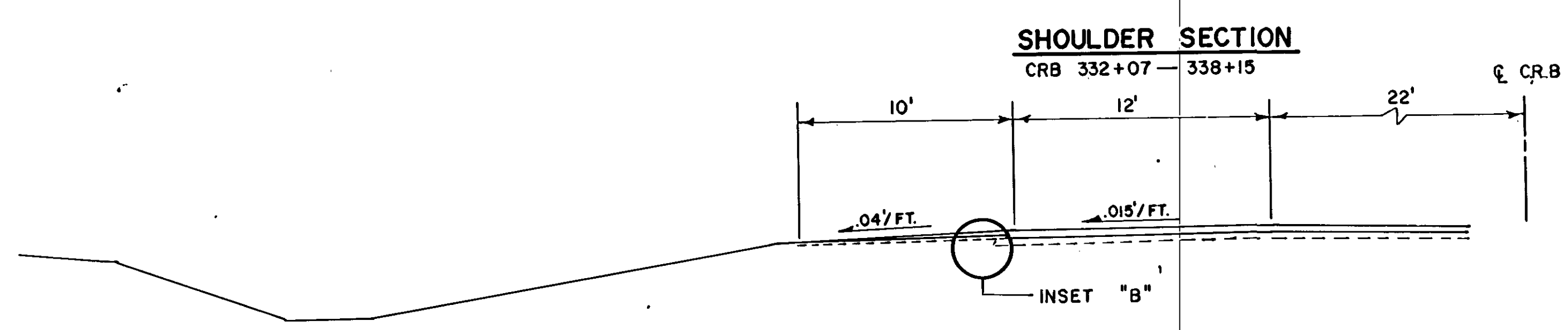
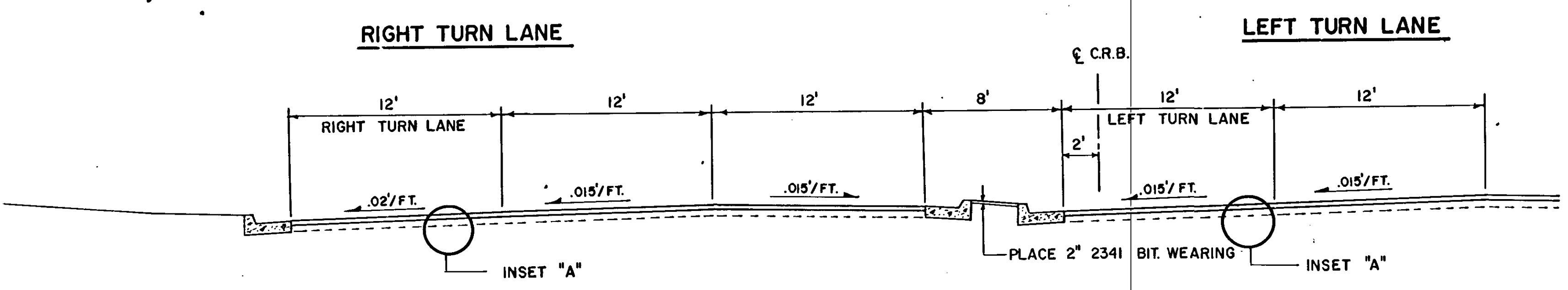
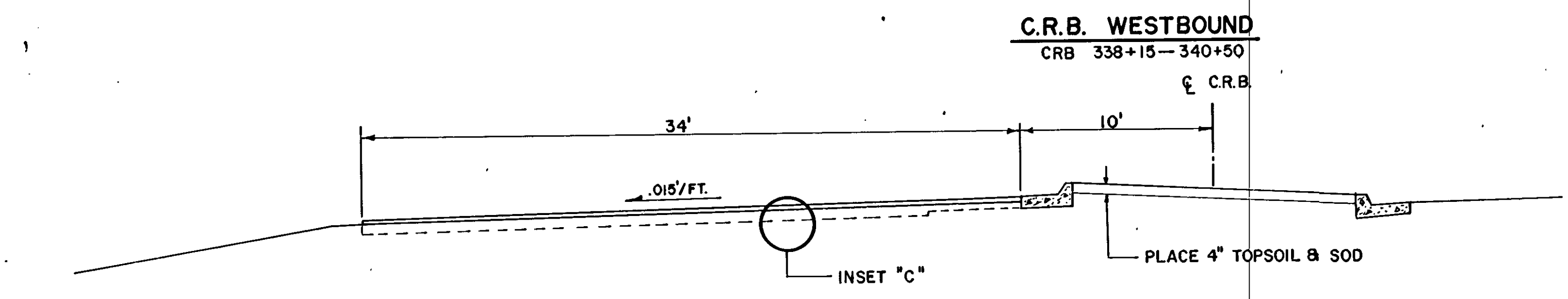
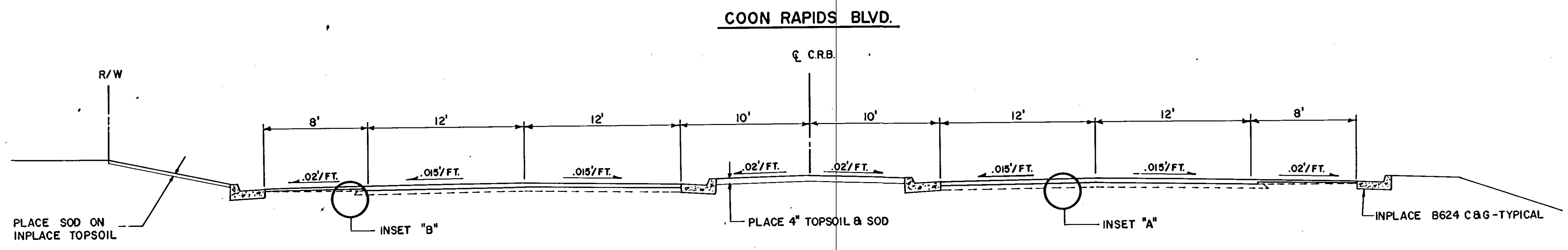
PLANT BALL CROWN OF PLANT 2" BELOW FINISH AFTER SETTLEMENT.

BACKFILL WITH TOPSOIL (SEE SPECIFICATIONS)

PLANT LIST

QUAN	SIZE	BOTANICAL NAME	COMMON NAME
12	6" B B B	ELEAGNUS ANGSTROFOLIA	RUSSIAN OLIVE

PLAN	
PLAN BY <i>S/H</i>	CHECKED BY
PROFILE BY	APPROVED BY
AS BUILT 1/17/74 D.B.	PROJECT NO. 16-7419
DRAWING NO.	COMM. NO.
DATE:	SCALE HOR. 1" = 50' VERT. 1" = 5'

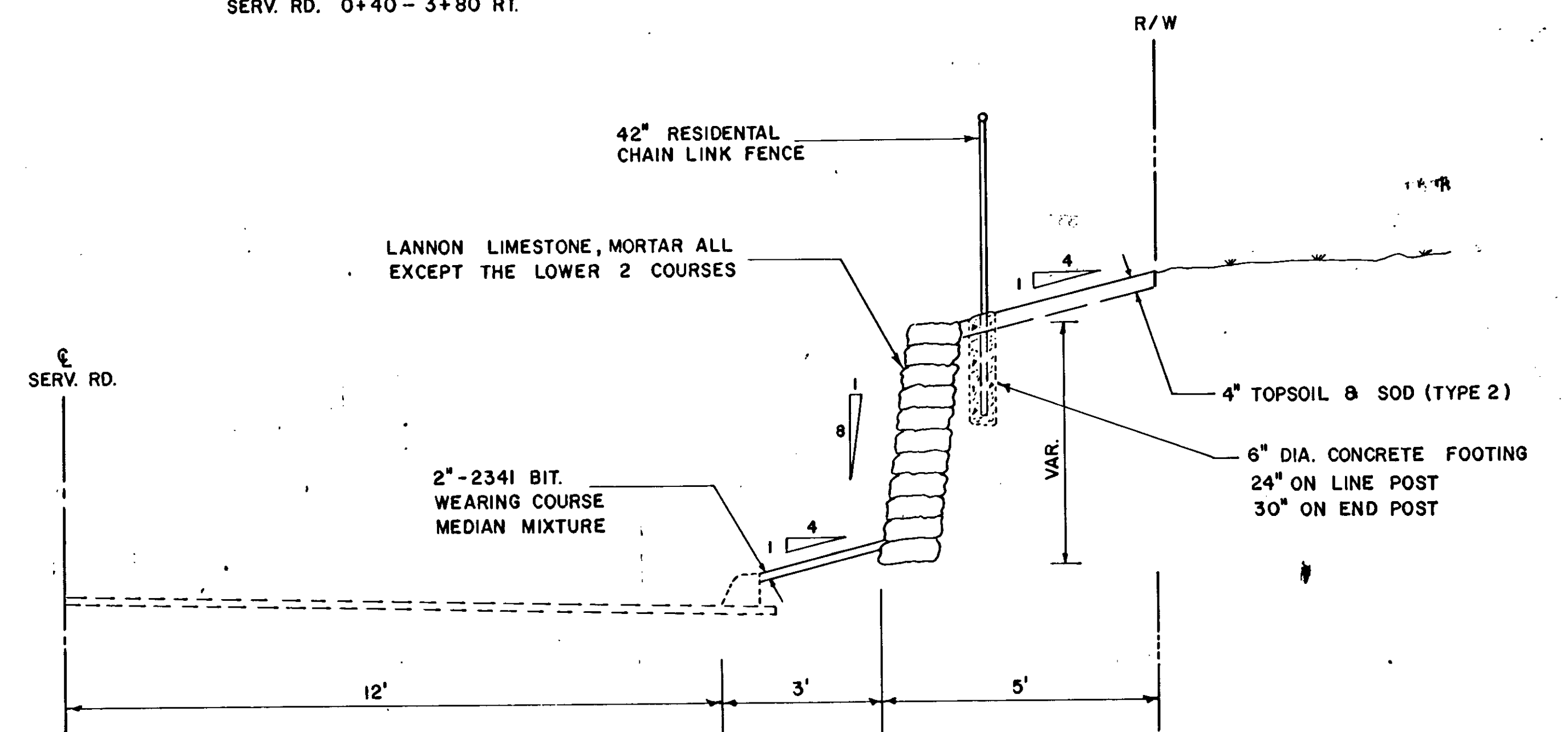


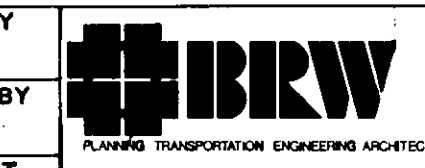
TYPICAL SECTIONS			
PLAN BY <i>JM</i>		CHECKED BY	
PROFILE BY		APPROVED BY	
AS BUILT 1/14/16	PLANNING TRANSPORTATION ENGINEERING ARCHITECTURE BATHEN, RINGROSE, WOLFFELD, INC. 410-931-2200 7101 YORK AVENUE SOUTH EDINA, MINNESOTA 55425	PROJECT NO.	16-1419
DRAWING NO.	DATE:	SCALE	HOR. 1" = 50' VERT. 1" = 5'
		COMM. NO.	

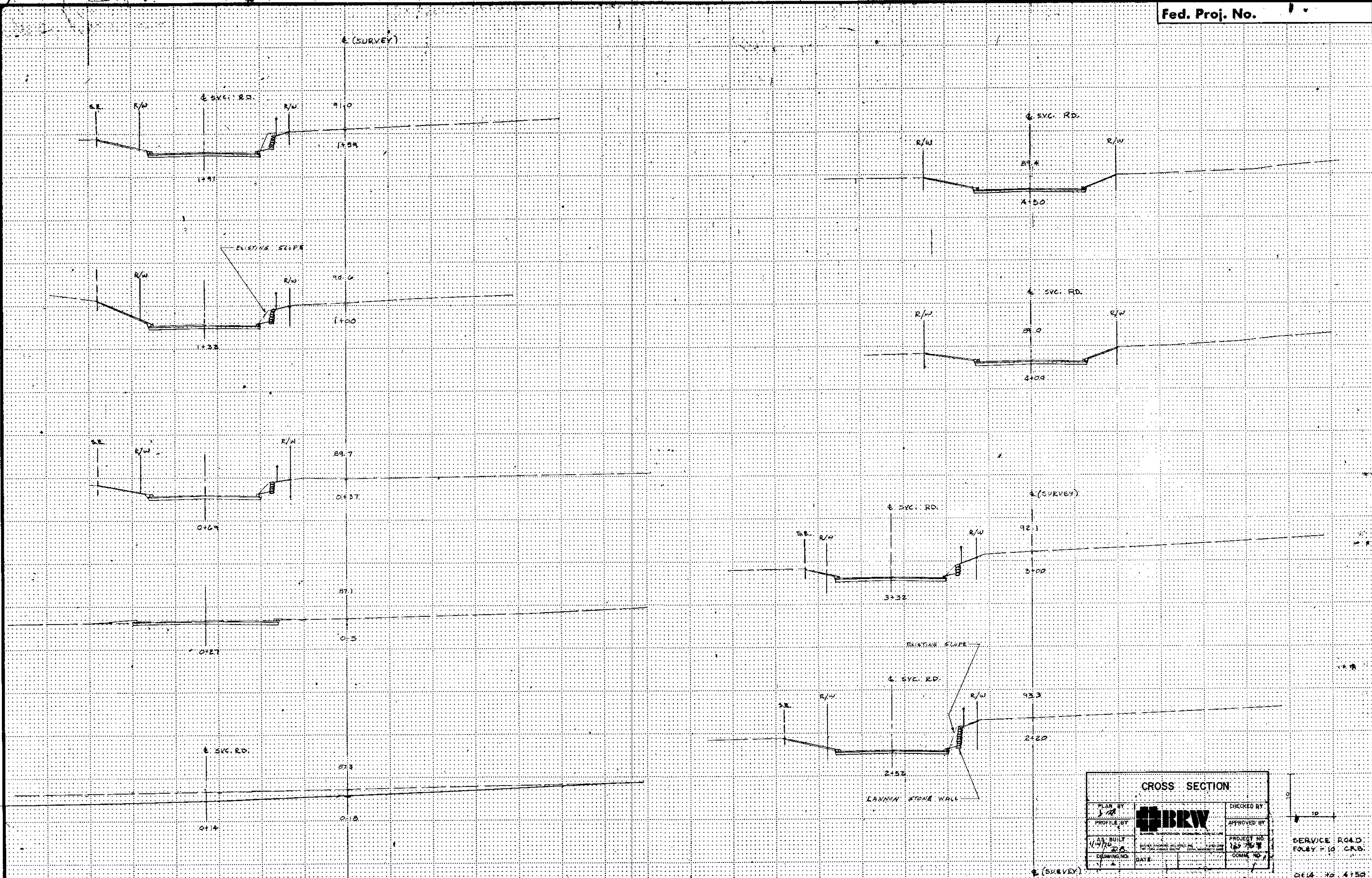


STATEMENT OF ESTIMATED QUANTITIES				
ITEM NO.	ITEM	UNIT	ESTIMATED	FINAL
			QUANTITIES	QUANTITIES
2211.501	AGGREGATE BASE, CLASS 5	TON	319	397.4
2341.504	BITUMINOUS MATERIAL FOR MIXTURE	TON	335	329.55
2341.508	WEARING COURSE MIXTURE	TON	3106	3146.3
2341.510	BINDER COURSE MIXTURE	TON	3273	3304.7
2341.518	BITUMINOUS MIXTURE FOR MEDIANS	TON	71	111.95
2357.502	BITUMINOUS MATERIAL FOR TACK COAT	GAL.	1364	2486.16
2508.522	ADJUST FRAME AND RING CASTINGS	EACH	9	9
2557.501	CHAIN LINK FENCE	LIN. FT.	340	340
S-1	RETAINING WALL	SQ. FT.	1400	1342.9
2757.505	SODDING, TYPE 1	SQ. YD.	3380	1564.8
2575.505	SODDING, TYPE 2 (1)	SQ. YD.	3965	4568.8
559.605	PAVEMENT MARKING	SQ. YD.	748	1342.0
S-2	TEMPORARY TRAFFIC CONTROL DEVICES	LUMP SUM	1	1
2571.503	FURNISH AND PLANT 6'-0" RUSSION OLIVE B & B	TREE	24	24
	(1) INCLUDES 4" TOPSOIL			

RETAINING WALL DETAIL  
SERV. RD. 0+40 - 3+80 RT.



DETAILS ESTIMATED QUANTITIES			
PLAN BY <i>J.M.</i>		CHECKED BY	
PROFILE BY		APPROVED BY	
AS BUILT 1/14/76 DB	PLANNING TRANSPORTATION ENGINEERING ARCHITECTURE BATHURST ROAD, WOLFFIELD, N.C. 27157-8222 1701 YORK AVENUE SOUTH, EDINA, MINNESOTA 55425	PROJECT NO.	16-7419
DRAWING NO.	DATE:	COMM. NO.	



CROSS SECTION			
PLAN BY J.M.		CHECKED BY	
PROFILE BY		APPROVED BY	
AS BUILT 1/1/78	BRW	PROJECT NO.	14-116-07
DRAWING NO.	DATE	COMME NO.	

SERVICE ROAD  
FOLEY - 10 CRB.  
DATE: 10-4-50

Copy Requirement Form #1