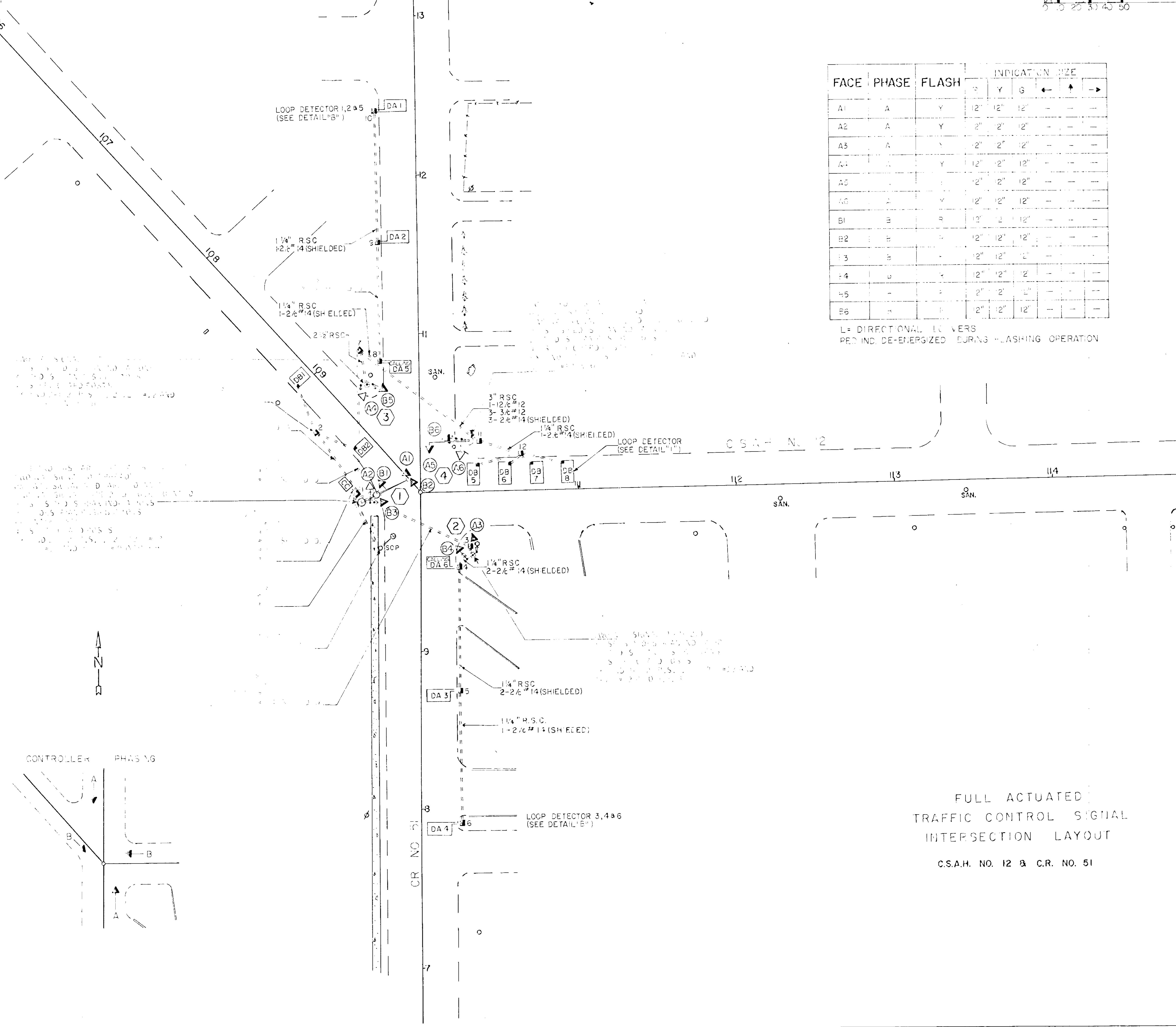


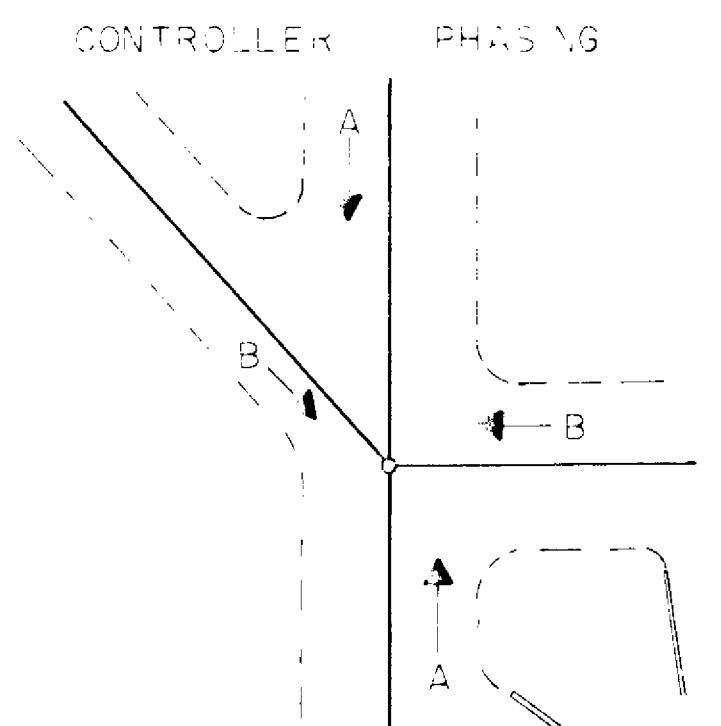
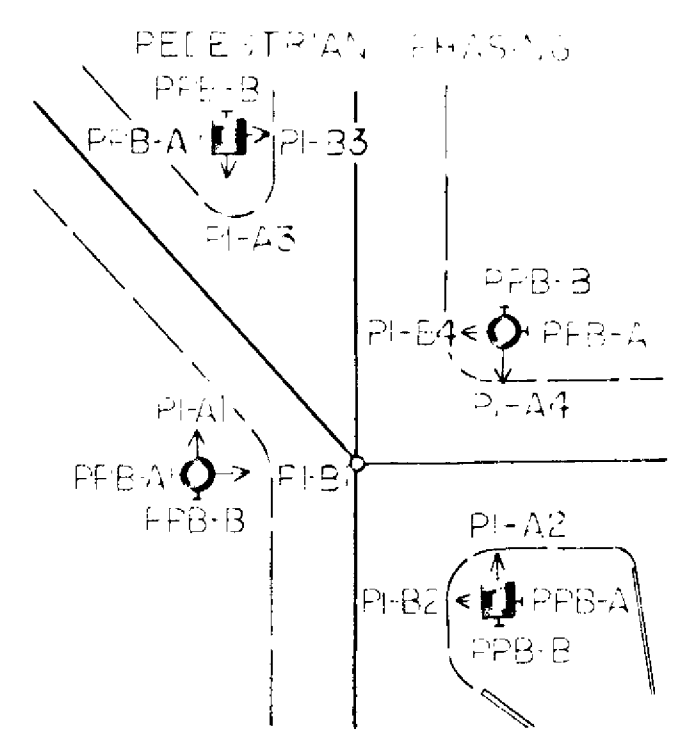
LEGEND OF SYMBOLS	
	120V 15A 1PH 1W
	240V 15A 1PH 2W
	PEDestal
	RADIO SIGNAL MAST
	SIGNAL HEAD
	SIGNAL HEAD WITH 120V 15A 1PH 1W
	SIGNAL HEAD WITH 240V 15A 1PH 2W
	120V 15A 1PH 1W
	240V 15A 1PH 2W
	120V 15A 1PH 1W
	240V 15A 1PH 2W
	PEDestal
	HYDRANT

FACE	PHASE	FLASH	INDICATION SIZE					
			R	Y	G			
A1	A	Y	12"	12"	12"	-	-	-
A2	A	Y	2"	2"	12"	-	-	-
A3	A	Y	2"	2"	12"	-	-	-
A4	A	Y	12"	2"	12"	-	-	-
A5	A	Y	12"	2"	12"	-	-	-
A6	A	Y	12"	12"	12"	-	-	-
B1	B	R	12"	2"	12"	-	-	-
B2	B	R	12"	12"	12"	-	-	-
B3	B	R	12"	12"	12"	-	-	-
B4	B	R	12"	2"	12"	-	-	-
B5	B	R	2"	2"	12"	-	-	-
B6	B	R	12"	12"	12"	-	-	-

L= DIRECTIONAL INDICATORS
 PED IND. DE-ENERGIZED DURING FLASHING OPERATION

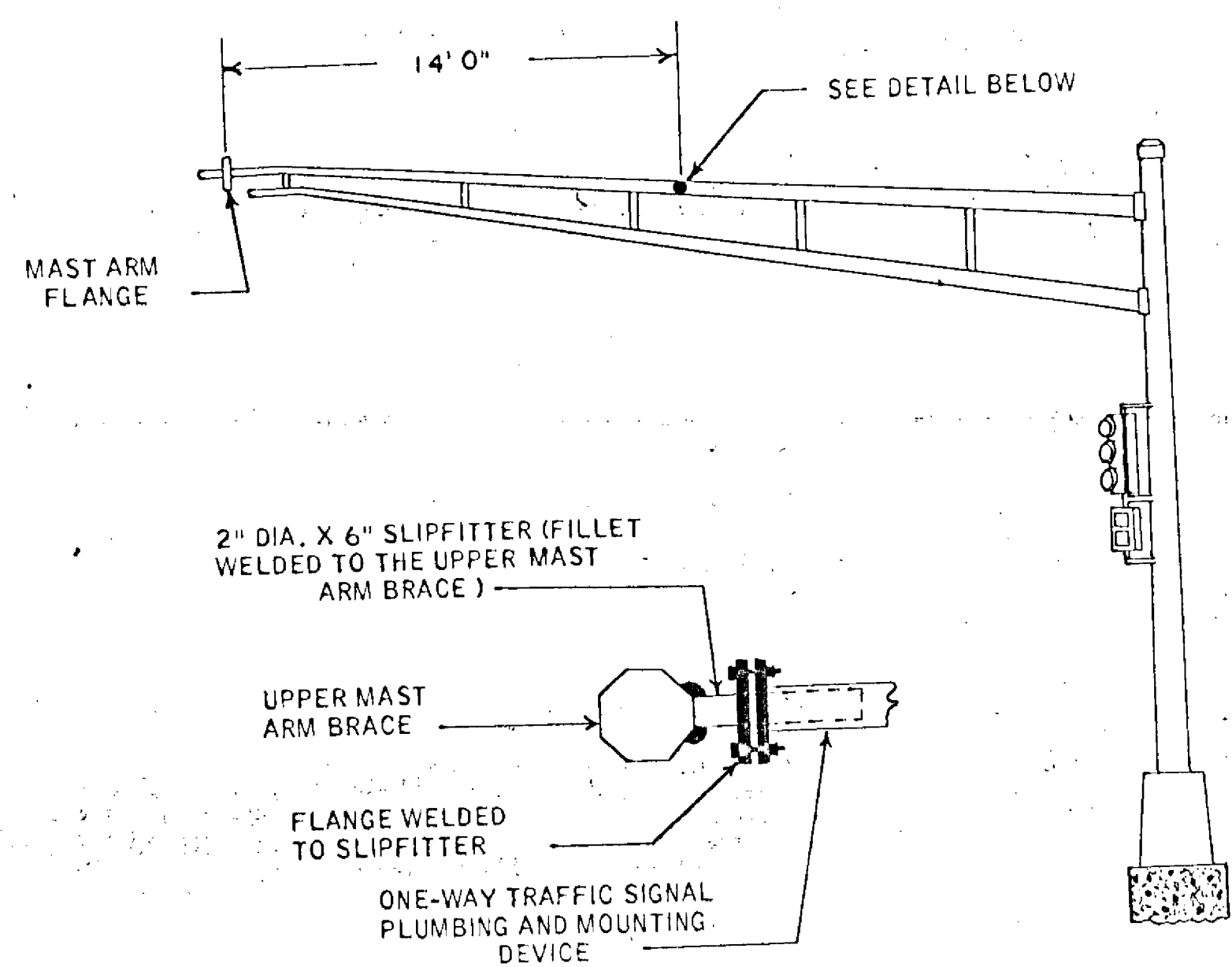


ALL SIGNAL HEADS TO BE MOUNTED ON 15' TALL MASTS WITH 120V 15A 1PH 1W SERVICE TO EACH HEAD. ALL SIGNAL HEADS TO BE MOUNTED ON 15' TALL MASTS WITH 240V 15A 1PH 2W SERVICE TO EACH HEAD. ALL SIGNAL HEADS TO BE MOUNTED ON 15' TALL MASTS WITH 120V 15A 1PH 1W SERVICE TO EACH HEAD. ALL SIGNAL HEADS TO BE MOUNTED ON 15' TALL MASTS WITH 240V 15A 1PH 2W SERVICE TO EACH HEAD.

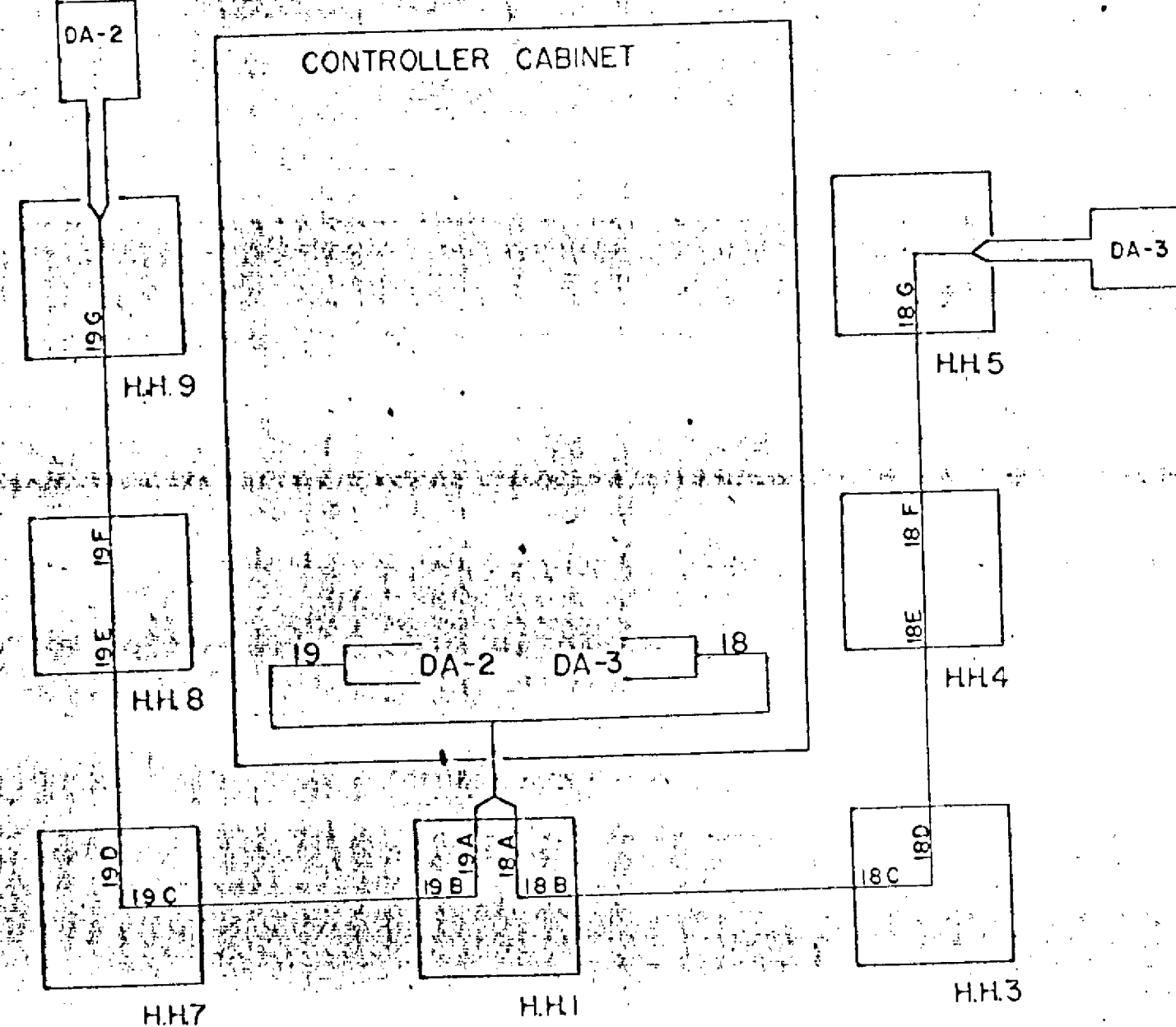


FULL ACTUATED TRAFFIC CONTROL SIGNAL INTERSECTION LAYOUT
 C.S.A.H. NO. 12 & C.R. NO. 51

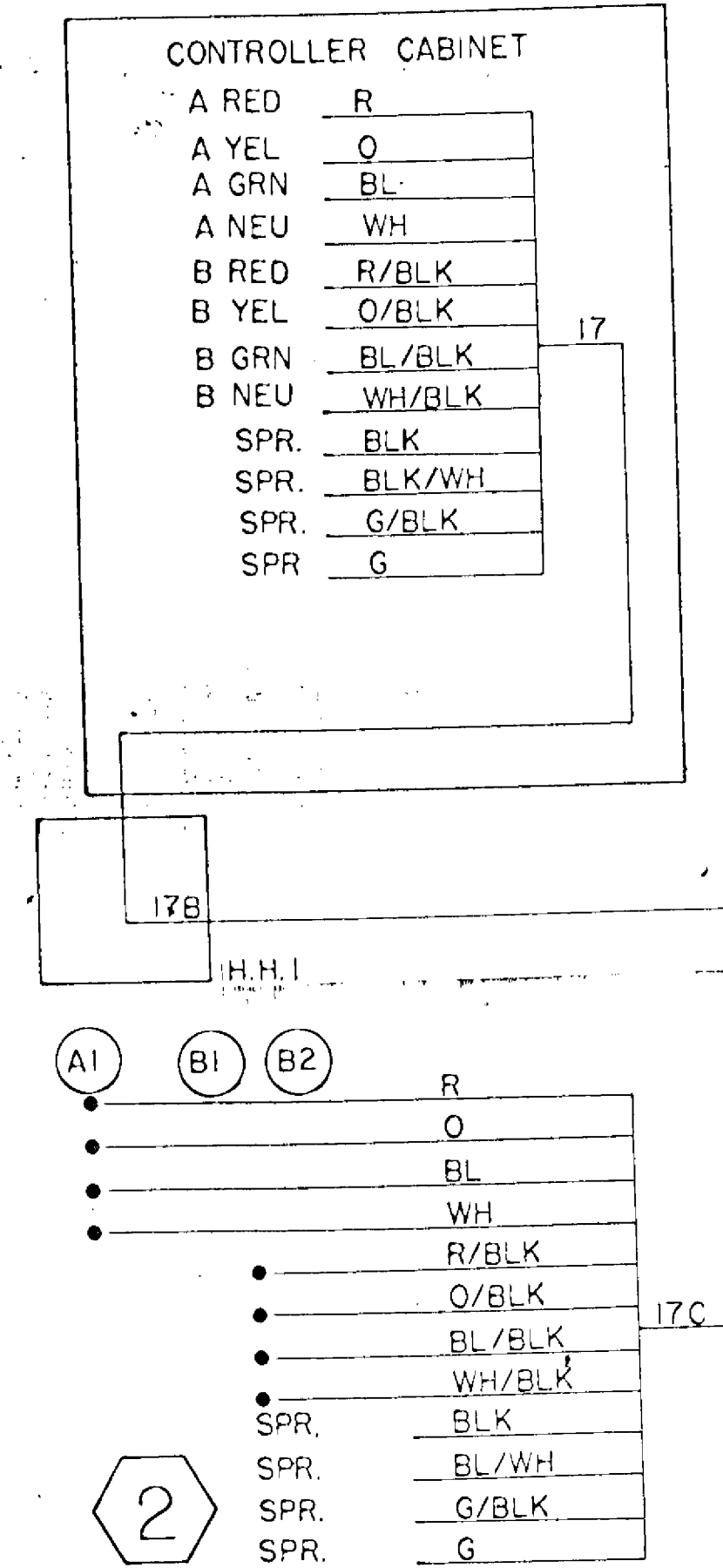
SIGNAL BASE (1) MAST ARM DETAILS



NOTE #2



NOTE #1



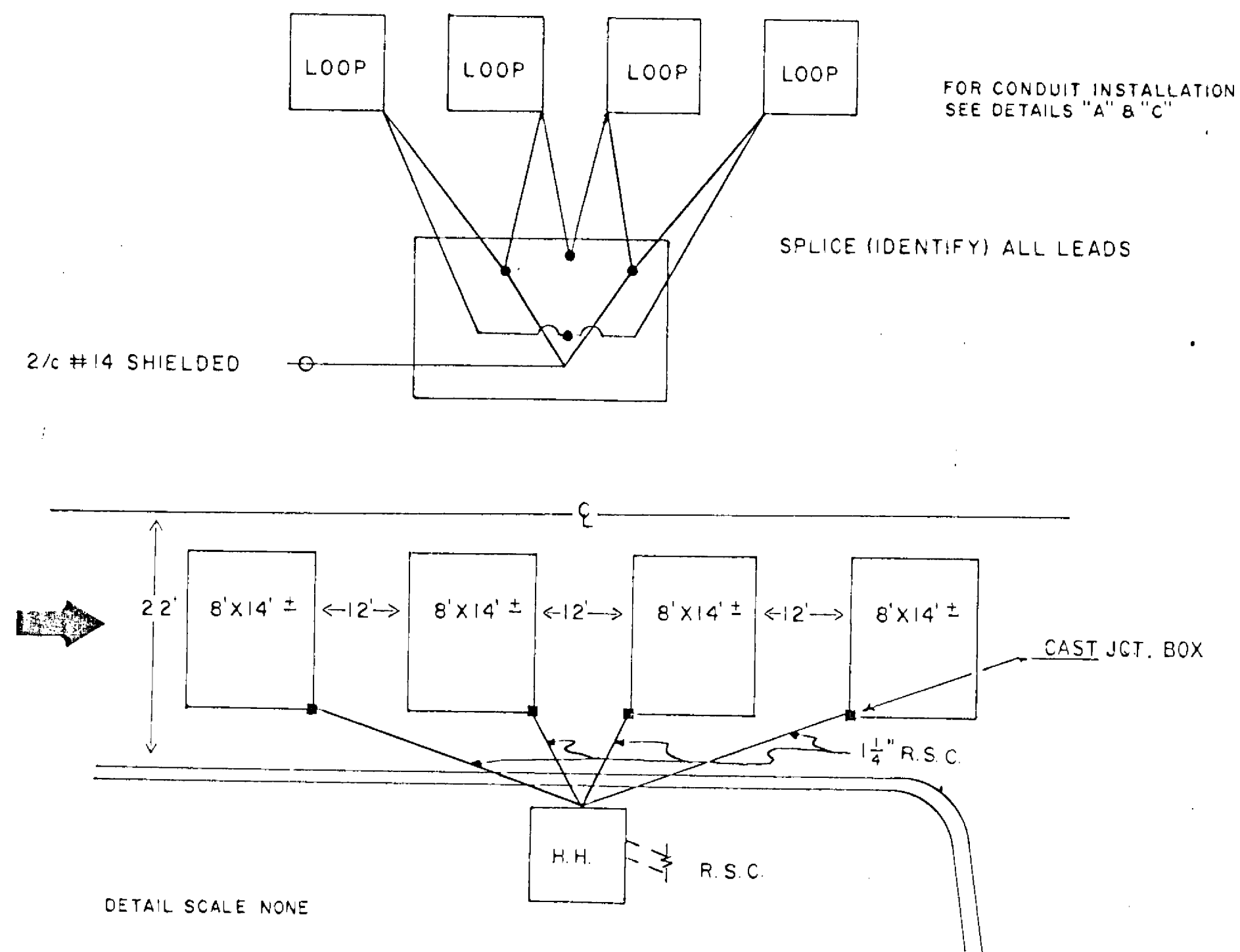
THE FOLLOWING STANDARD PLATES, APPROVED BY THE FEDERAL HIGHWAY ADMINISTRATION, SHALL APPLY ON THIS PROJECT.....

STANDARD DETAIL PLATES	
PLATE NO.	DESCRIPTION
8112A	PEDESTAL FOUNDATION
8122A	PEDESTALS
8111A	TRAFFIC SIGNAL BRACKETING (TYPE 2C)
8115A	PEDESTRIAN PUSH BUTTON INSTALLATION
8123A	POLE AND MAST ARM
8110B	TRAFFIC SIGNAL BRACKETING (TYPE 2 0-D)
8124A	SIGNAL HEAD MOUNTS (MAST ARM)
8116B	STEEL GUARD POST
8117C	PRECAST CONCRETE HAND HOLE
8118A	SERVICE EQUIPMENT & POLE
8119B	GROUND MOUNTED CONTROLLER FOUNDATION

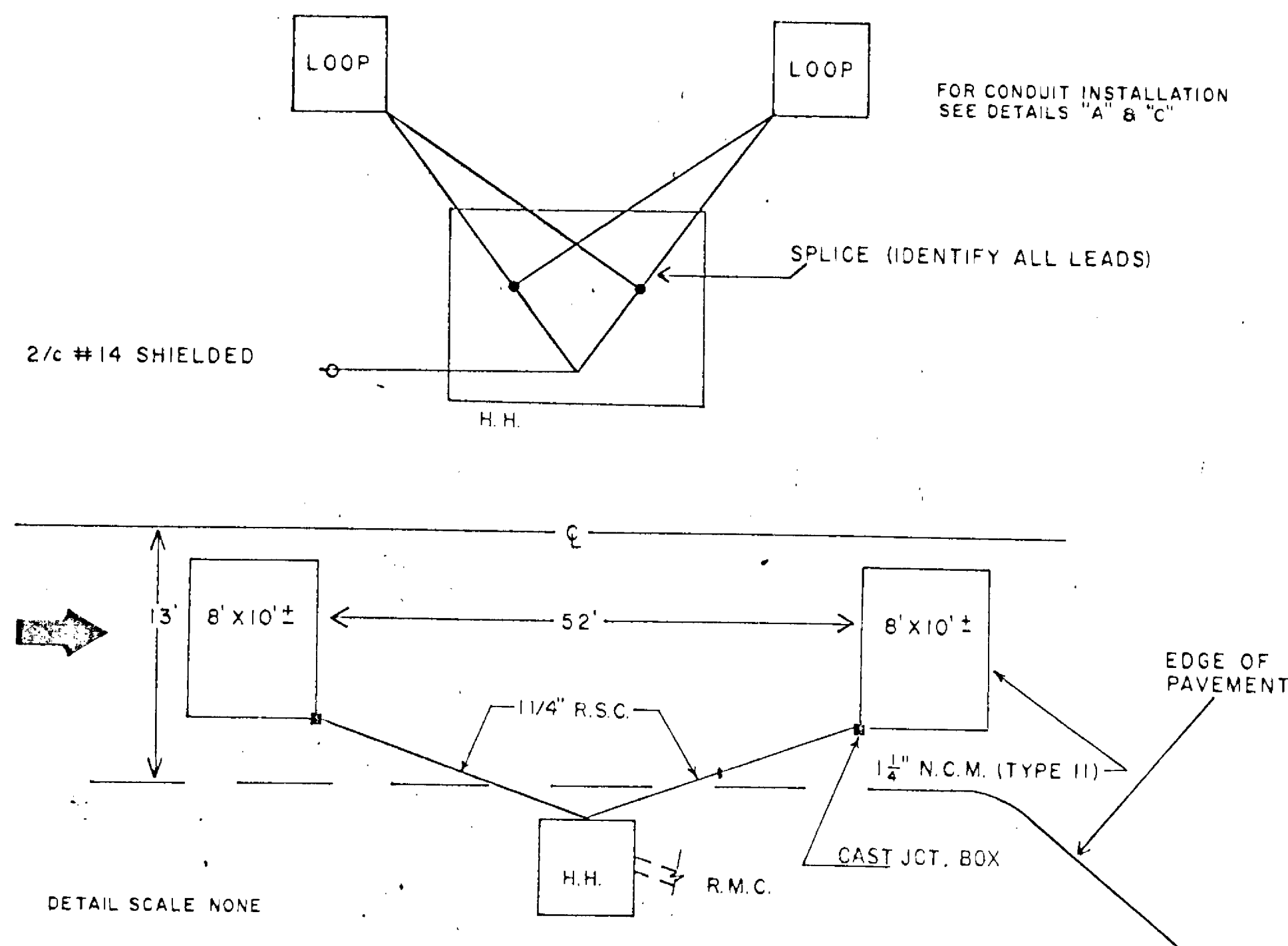
STATEMENT OF ESTIMATED QUANTITIES			
ITEM NO.	ITEM	UNIT	TOTAL ESTIMATED QUANTITIES
2565.501	FULL TRAFFIC ACTUATED TRAFFIC CONTROL SIGNAL SYSTEM	SIGNAL SYS.	1

FULL ACTUATED TRAFFIC CONTROL SIGNAL DETAILS & NOTES
C.S.A.H.#12 & CR. # 51

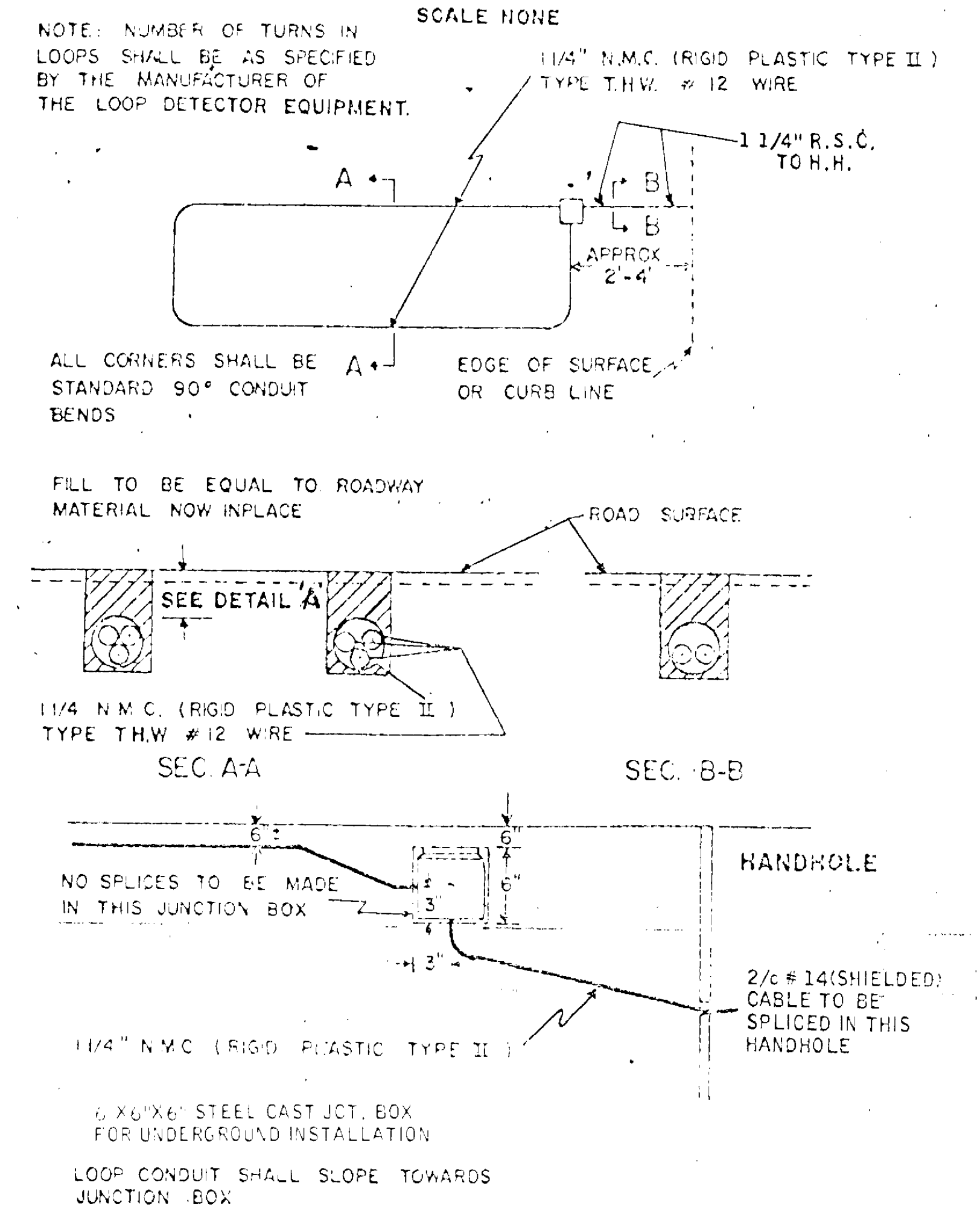
LOOP DETECTOR DETAIL "1"



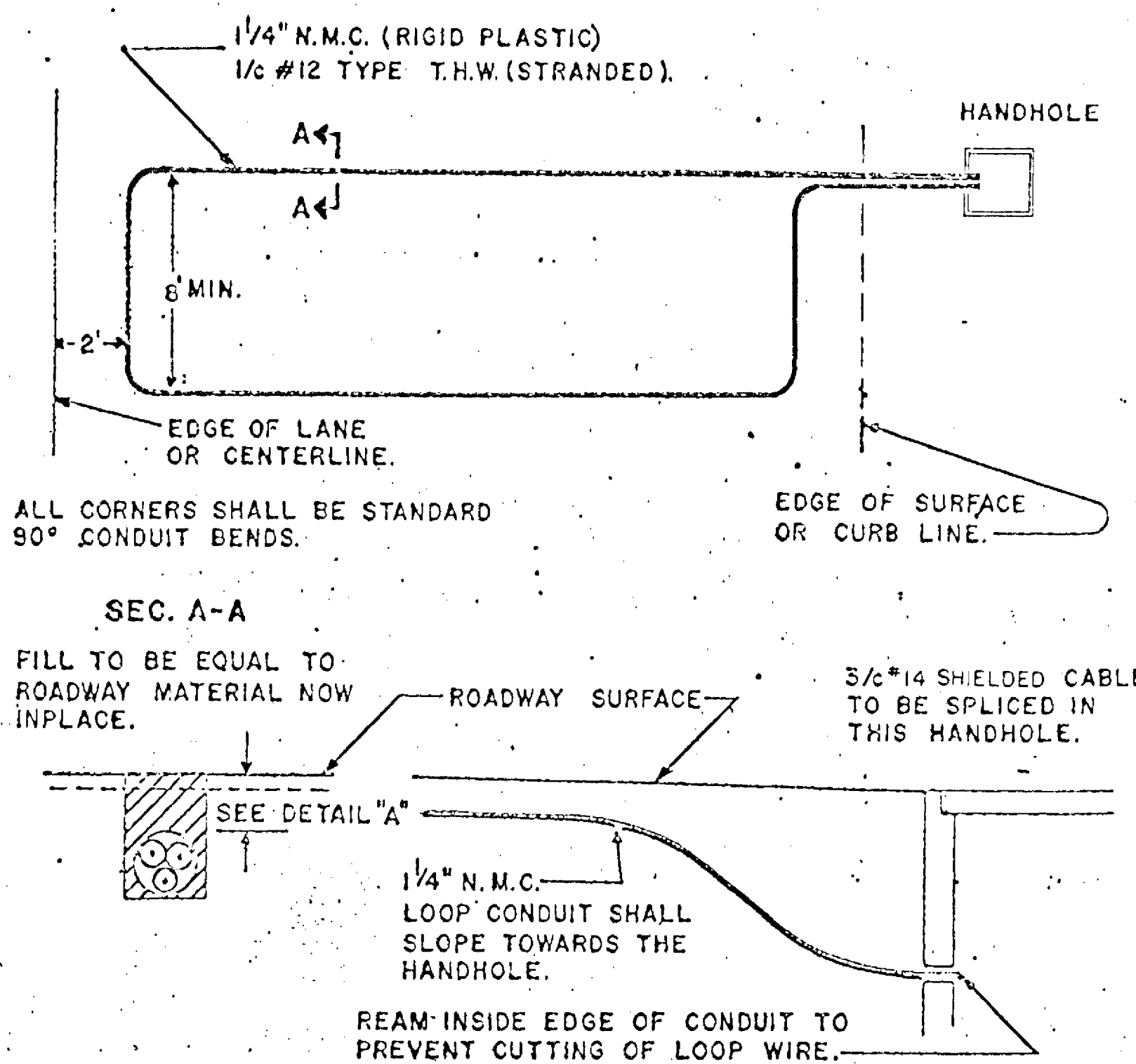
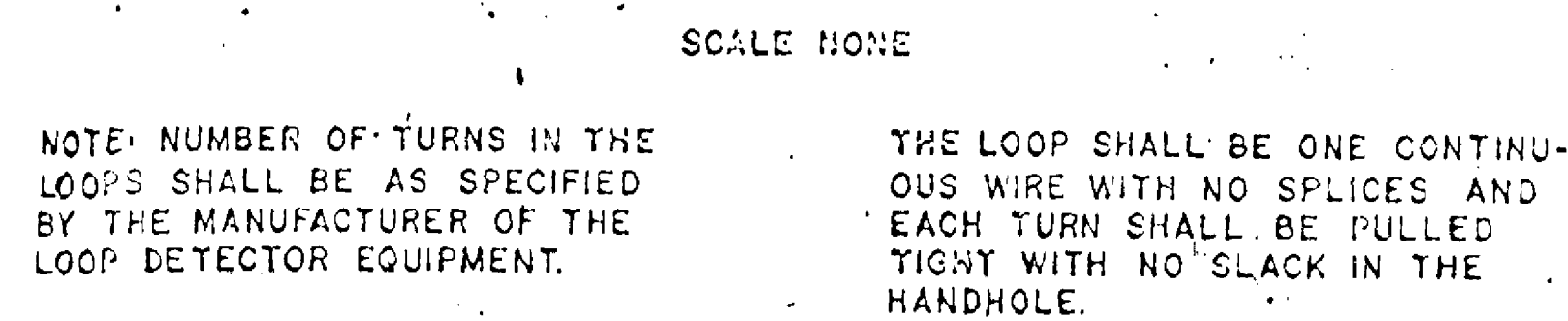
LOOP DETECTOR DETAIL "2"



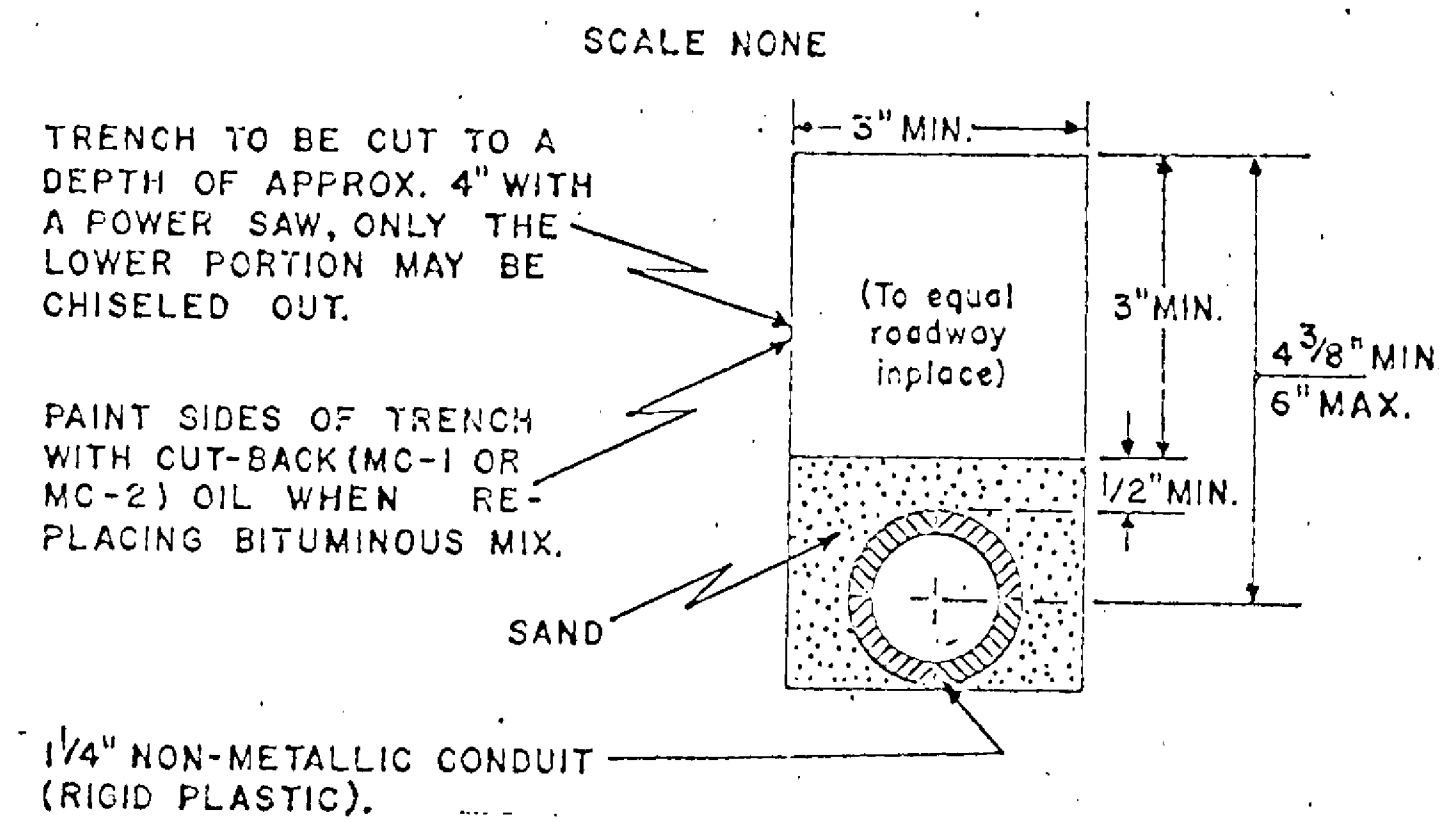
LOOP DETECTOR DETAIL "C"



LOOP DETECTOR DETAIL "B"

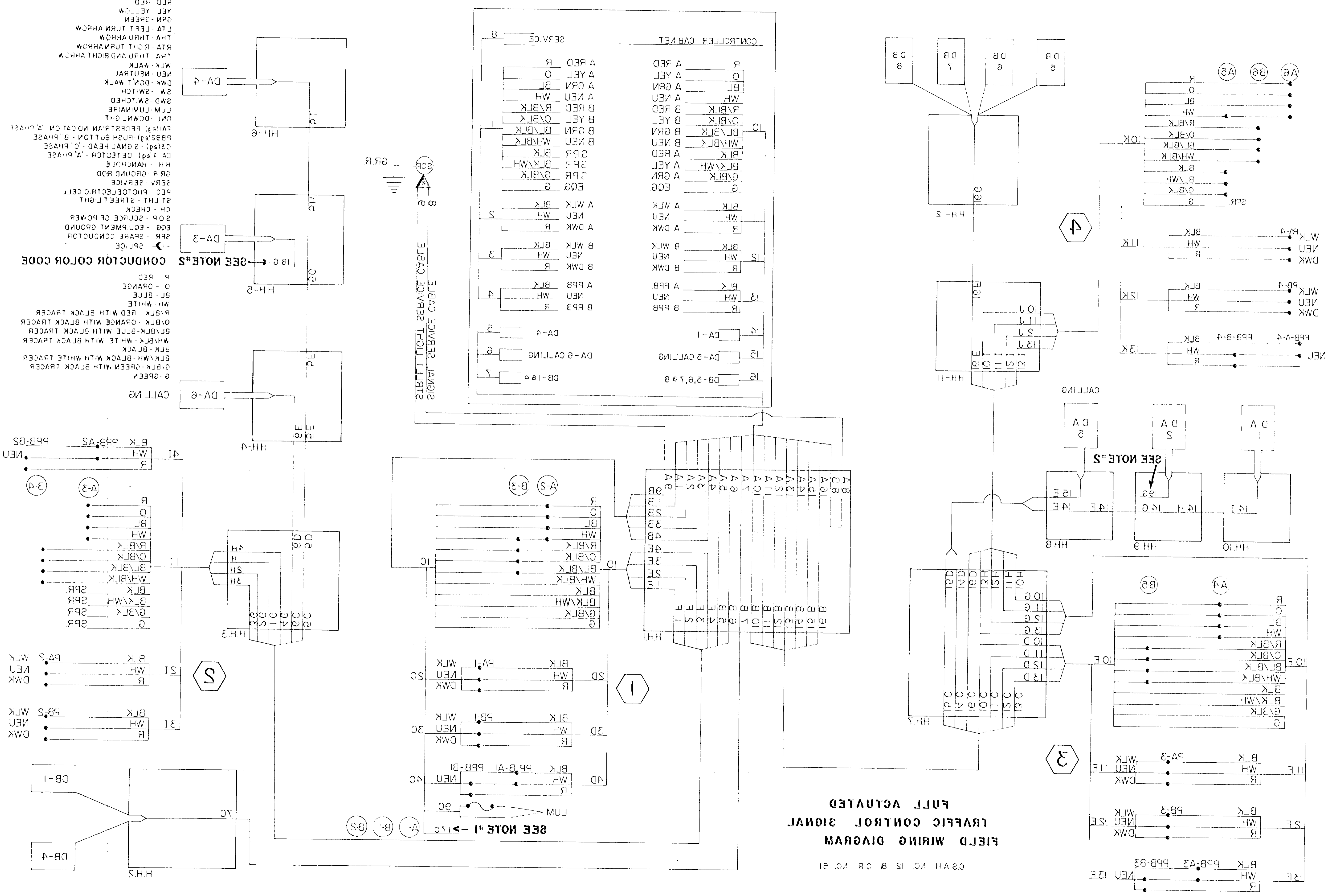


CONDUIT INSTALLATION DETAIL "A" FOR LOOP DETECTOR



FULL ACTUATED TRAFFIC CONTROL SIGNAL DETAILS
C.S.A.H.#12 & CR.#51

**FIELD WIRING DIAGRAM
TRAFFIC CONTROL SIGNAL
FULL ACTUATED**



CONDUCTOR COLOR CODE

- R - RED
- O - ORANGE
- BL - BLUE
- WH - WHITE
- WH - WHITE
- R/BLK - RED WITH BLACK TRACER
- O/BLK - ORANGE WITH BLACK TRACER
- BL/BLK - BLUE WITH BLACK TRACER
- WH/BLK - WHITE WITH BLACK TRACER
- BLK - BLACK
- BLK/WH - BLACK WITH WHITE TRACER
- G/BLK - GREEN WITH BLACK TRACER
- G - GREEN
- SPR - SPARE CONDUCTOR
- EQG - EQUIPMENT GROUND
- 2OP - SOURCE OF POWER
- 2SR - SERVICE
- 2PH - PHOTOELECTRIC CELL
- 2ST - STREET LIGHT
- 2CH - CHECK
- 2OP - SOURCE OF POWER
- 2SR - SERVICE
- 2PH - PHOTOELECTRIC CELL
- 2ST - STREET LIGHT
- 2CH - CHECK

SEE NOTE #3

- 2SR - SERVICE
- 2PH - PHOTOELECTRIC CELL
- 2ST - STREET LIGHT
- 2CH - CHECK
- 2OP - SOURCE OF POWER
- 2SR - SERVICE
- 2PH - PHOTOELECTRIC CELL
- 2ST - STREET LIGHT
- 2CH - CHECK

SEE NOTE #2

- 2SR - SERVICE
- 2PH - PHOTOELECTRIC CELL
- 2ST - STREET LIGHT
- 2CH - CHECK
- 2OP - SOURCE OF POWER
- 2SR - SERVICE
- 2PH - PHOTOELECTRIC CELL
- 2ST - STREET LIGHT
- 2CH - CHECK

SEE NOTE #1

- 2SR - SERVICE
- 2PH - PHOTOELECTRIC CELL
- 2ST - STREET LIGHT
- 2CH - CHECK
- 2OP - SOURCE OF POWER
- 2SR - SERVICE
- 2PH - PHOTOELECTRIC CELL
- 2ST - STREET LIGHT
- 2CH - CHECK

ABBREVIATIONS

- RED - RED
- YEL - YELLOW
- GRN - GREEN
- LT - LEFT TURN ARROW
- TR - THROUGH ARROW
- RT - RIGHT TURN ARROW
- TR & RT - THROUGH AND RIGHT ARROW
- WLK - WALK
- NEU - NEUTRAL
- DK - DON'T WALK
- SW - SWITCH
- SW - SWITCH
- LUM - LUMINAIRE
- DL - DOWN LIGHT
- FL - FULCRUM INDICATOR ON APPROACH
- PPB - PUSH BUTTON - B PHASE
- CS - SIGNAL HEAD - C PHASE
- DD - DETECTOR - A PHASE
- HN - HANDHOLE
- SR - GROUND ROD
- SR - SERVICE
- REC - PHOTOELECTRIC CELL
- ST - STREET LIGHT
- CH - CHECK
- 2OP - SOURCE OF POWER
- EQG - EQUIPMENT GROUND
- SPR - SPARE CONDUCTOR

EQUIPMENT AND INDICATORS

- DA-1
- DA-2
- DA-3
- DA-4
- DB-1
- DB-2
- DB-3
- DB-4
- HH-1
- HH-2
- HH-3
- HH-4
- HH-5
- HH-6
- HH-7
- HH-8
- HH-9
- HH-10
- HH-11
- HH-12
- HH-13
- HH-14
- HH-15