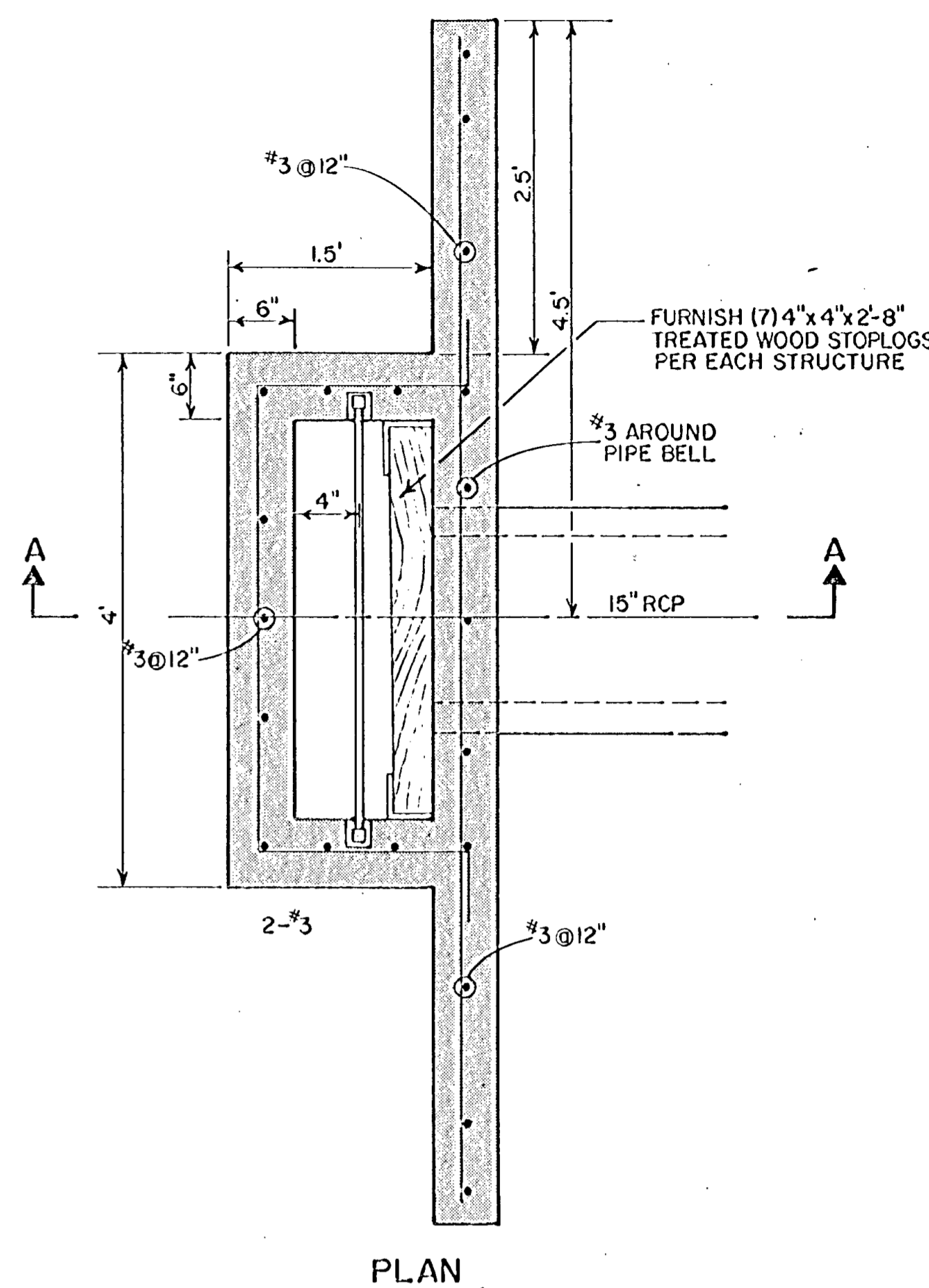
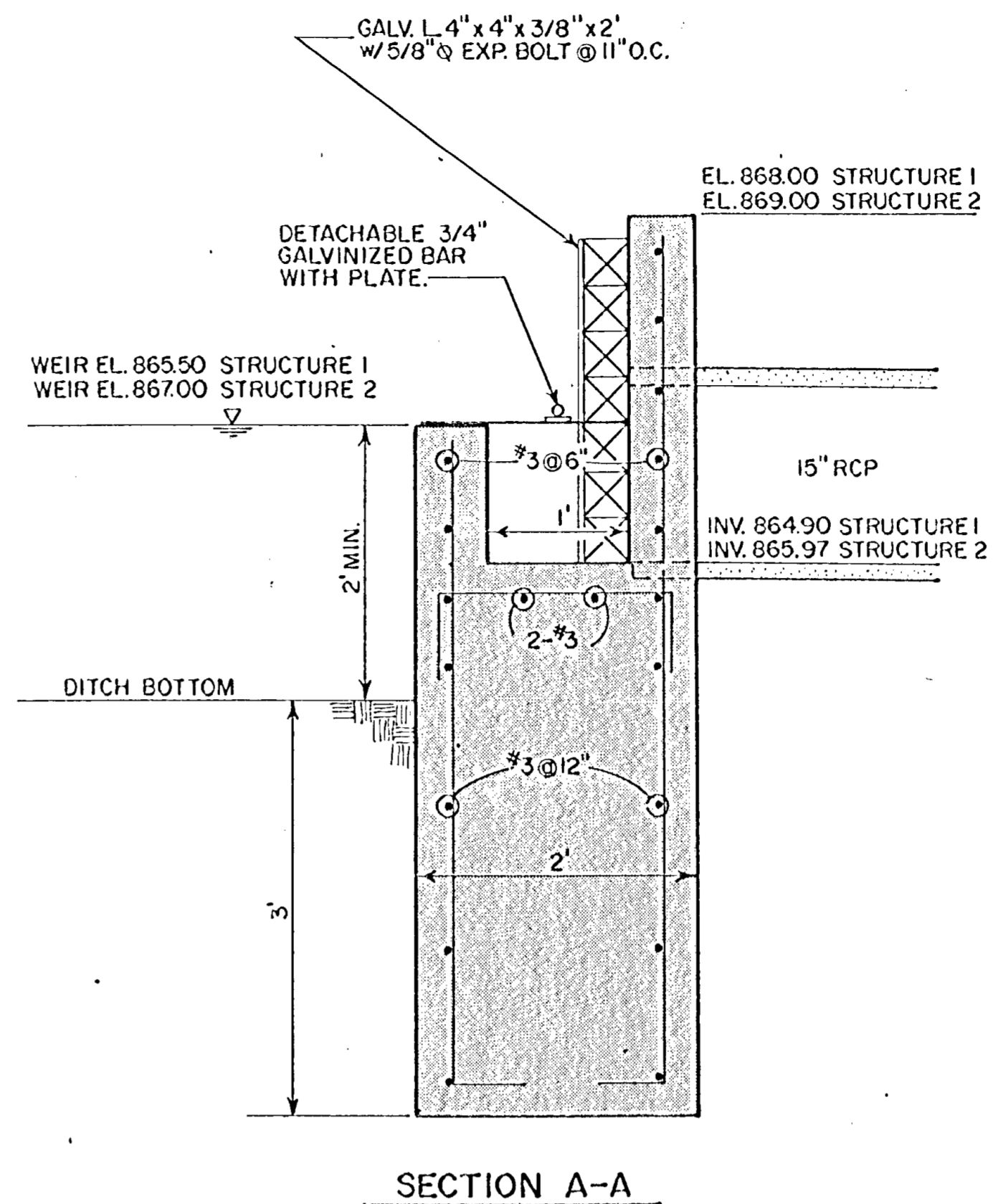
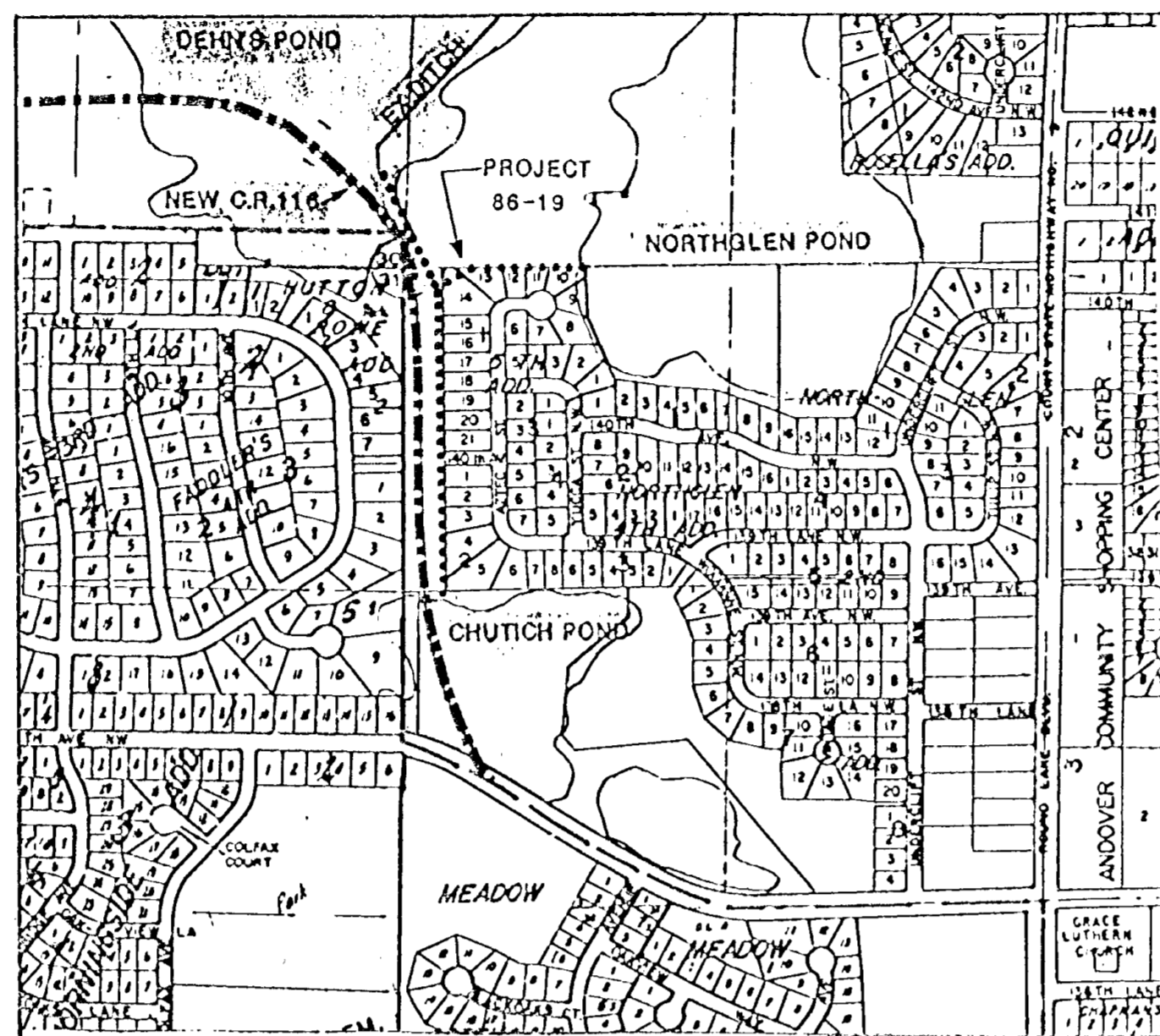
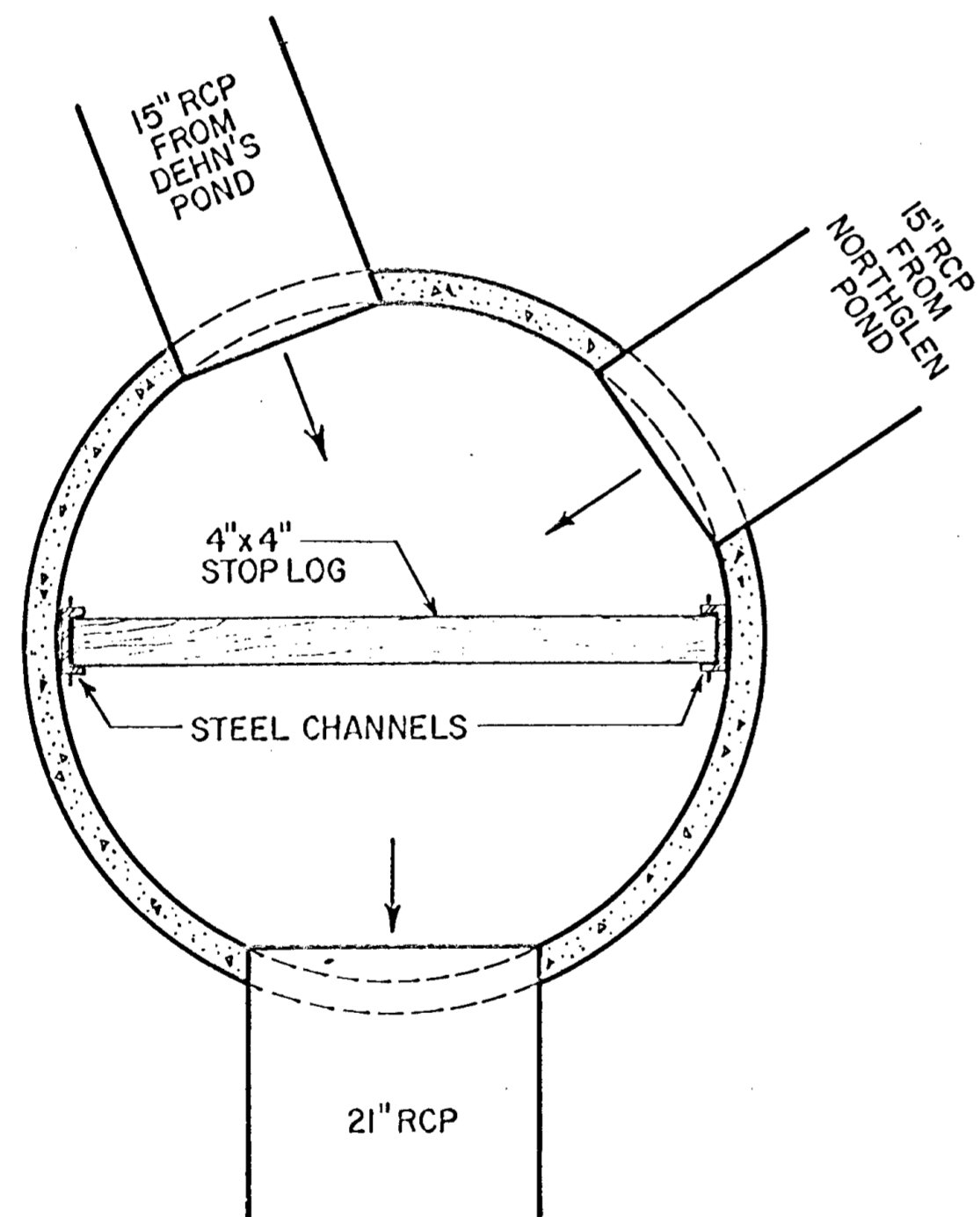


STATEMENT OF ESTIMATED QUANTITIES

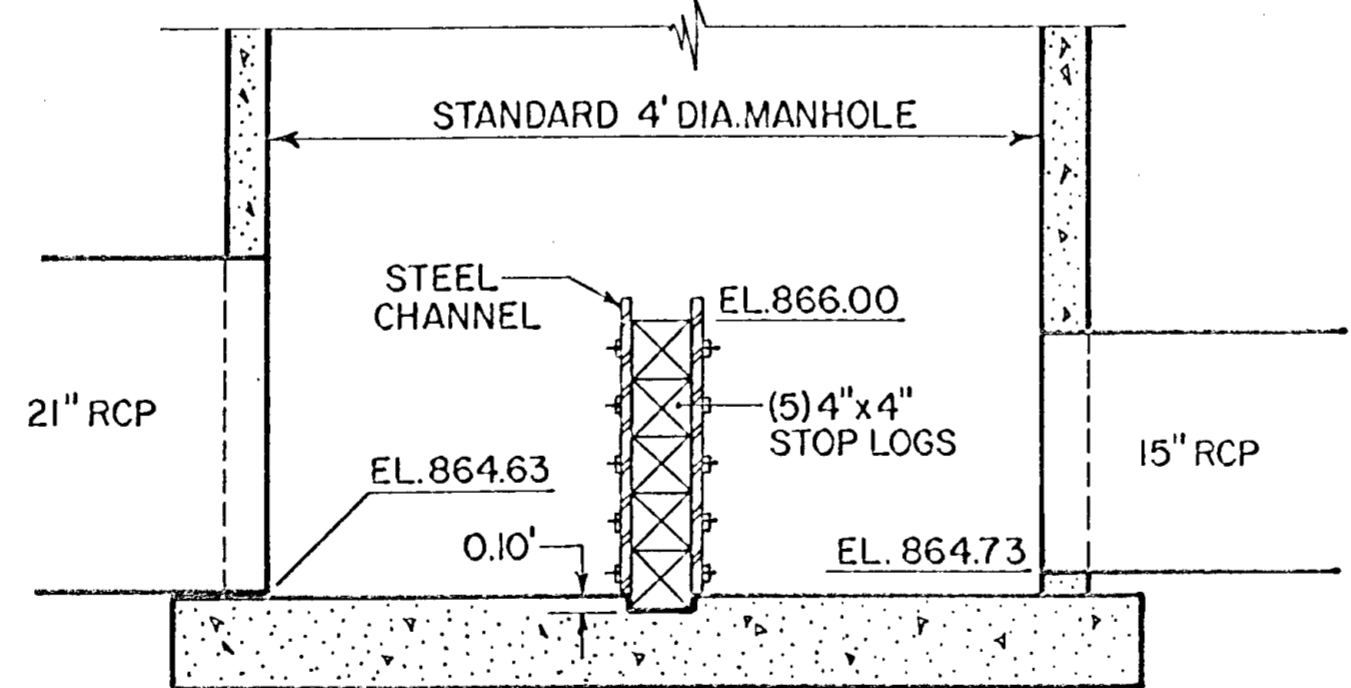
STORM SEWER		
1	15" RCP CLASS 3 STORM SEWER	760 LF
2	21" RCP CLASS 3 STORM SEWER 0-8'	460 LF
3	21" RCP CLASS 3 STORM SEWER 8-10'	430 LF
4	21" RCP CLASS 3 STORM SEWER 10-12'	320 LF
5	21" RCP CLASS 3 STORM SEWER 12-14'	15 LF
6	21" RCP FLARED END SECTION WITH TRASH GUARD	1 EA
7	CONST STD 4' DIA MANHOLE 0-8'	2 EA
8	CONST 4' DIA TEE SECTION MANHOLE	3 EA
9	EXTRA DEPTH MANHOLE OVER 8'	3 LF
10	CONSTRUCT INLET CONTROL STRUCTURE	2 EA
11	CLASS A GROUTED RIP RAP	5 CY
12	RIP RAP FILTER BLANKET	3 CY
13	TRENCH STABILIZATION	300 LF
14	CORE EXCAVATION	200 CY
15	AGGREGATE BACKFILL	400 TN
16	GEOTEXTILE CONSTRUCTION FABRIC	300 SY
RESTORATION		
1	CLEAR AND GRUB DITCH	1 LS
2	TOPSOIL BORROW	125 CY
3	SEED MNDOT MIXTURE NO. 5	25 LB
4	SEEDING	0.5 AC
5	MULCH MATERIAL TYPE 1	1.0 TN
6	COMMERCIAL FERTILIZER 10-10-10	250 LB
7	SODDING	100 SY



CONTROL STRUCTURE DETAIL



MANHOLE 4 CONTROL STRUCTURE



TYPICAL DITCH SECTION

ORIGINAL SURVEY	BY	DATE	FIELD BOOK	BY	DATE
STAKING	BY	DATE	FIELD BOOK	BY	DATE
AS-BUILT	BY	DATE	FIELD BOOK	BY	DATE

1-9-87	JPR	STOP LOG CONTROL FOR D.N.R. PERMIT	
1-22-87	CAO	RECORD DRAWING	
NO	DATE	BY	DESCRIPTION
REVISIONS			

DESIGNED	JPR	DRAWN	DLW
CHECKED	RS		

I HEREBY CERTIFY THAT THIS PLAN WAS PREPARED BY ME OR UNDER MY DIRECT SUPERVISION AND THAT I AM A DULY REGISTERED PROFESSIONAL ENGINEER UNDER THE LAWS OF THE STATE OF MINNESOTA.  
 DATE 10/1/00 REG NO 7657

**TKDA**  
 TOLTZ, KING, DUVALL, ANDERSON AND ASSOCIATES INCORPORATED  
 ENGINEERS ARCHITECTS PLANNERS  
 SAINT PAUL, MINNESOTA

DEHN'S POND STORM SEWER OUTLET  
 PROJECT 86-19  
 ANDOVER MINNESOTA

ESTIMATED QUANTITIES & DETAILS  
 SHEET NO. 2 OF 3 SHEETS

COMMISSION NO.  
**8808**