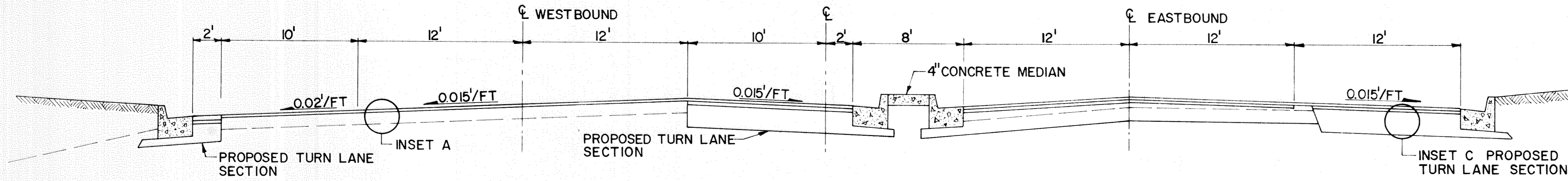


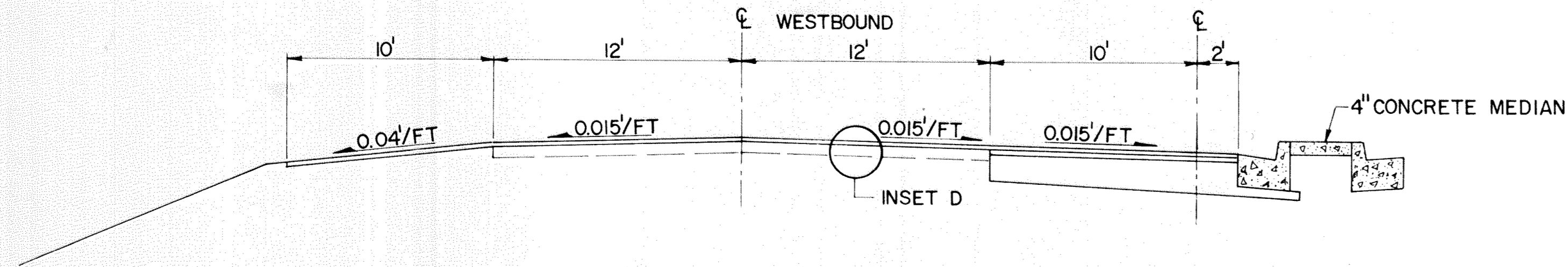
TYPICAL SECTION
STA. 338+15 TO 340+50



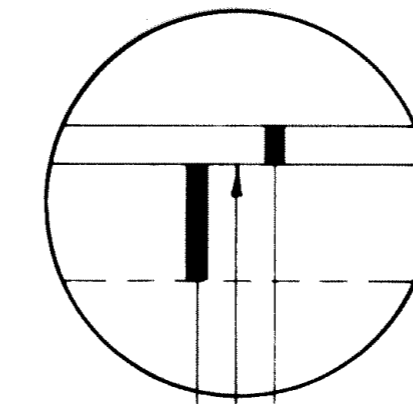
PROPOSED TURN LANE SECTION

PROPOSED TURN LANE SECTION

INSET C PROPOSED TURN LANE SECTION

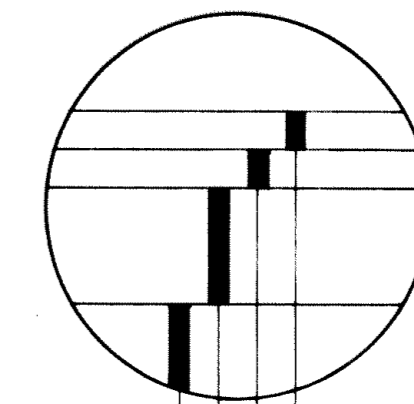


TYPICAL SECTION
STA. 332+07 TO 340+50



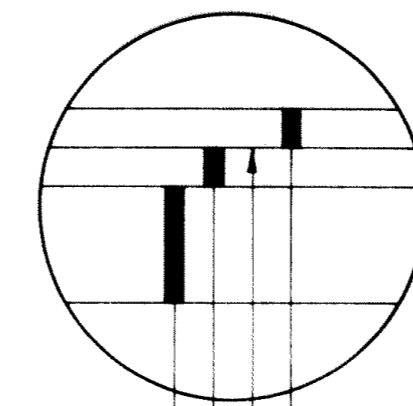
INSET 'A'

- 1-1/2" 2341 BIT. WEARING COURSE
- TACK COAT
- INPLACE BIT. PAVEMENT



INSET 'B'

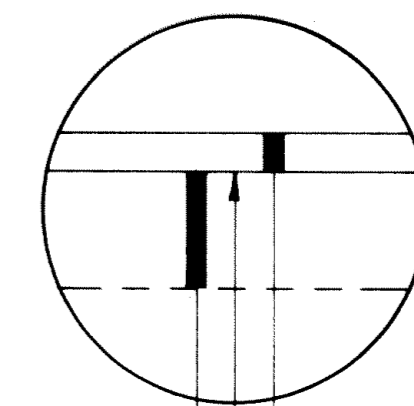
- 1-1/2" 2341 BIT. WEARING COURSE
- 1-1/2" 2211 AGGREGATE BASE, CLASS 5
- EXISTING CLASS 5, VARIABLE DEPTH
- EXISTING SHOULDER SECTION



INSET 'C'

PROPOSED TURN LANE SECTION

- 2" 2341 BIT. WEARING COURSE
- TACK COAT
- 2" 2331 BIT. BASE COURSE
- 8" 2211 AGGREGATE BASE, CLASS 5



INSET 'D'

- 1-1/2" 2341 BIT. WEARING COURSE
- TACK COAT
- INPLACE BIT. PAVEMENT

PRELIMINARY

PRINTED
MAY - 8 1984
BRW INC.