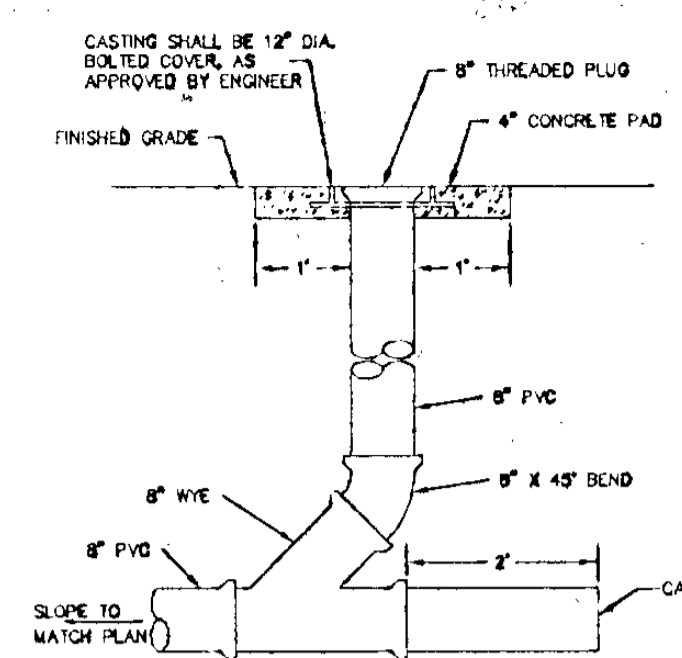


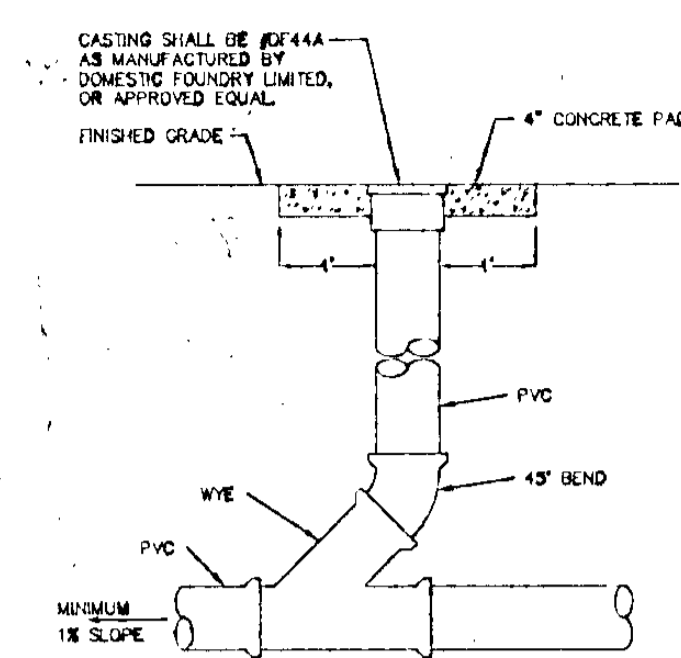
NOTES:  
 1) MANHOLE INVERT SHALL BE SLOPED TO PROVIDE SMOOTH FLOW FROM INLET TO OUTLET.  
 2) MANHOLE SLAB SHALL BE DESIGNED FOR AASHTO HS25.  
 3) PRECAST CONCRETE HORSE SHOES SHALL BE PLACED 1/2" FROM EDGE OF MANHOLE SLAB.  
 4) SEE DETAIL M-2 FOR ADJUSTING RING CONSTRUCTION.

STANDARD OUTSIDE DROP MANHOLE Plate No. SSS-1  
 Date: 01/29/97



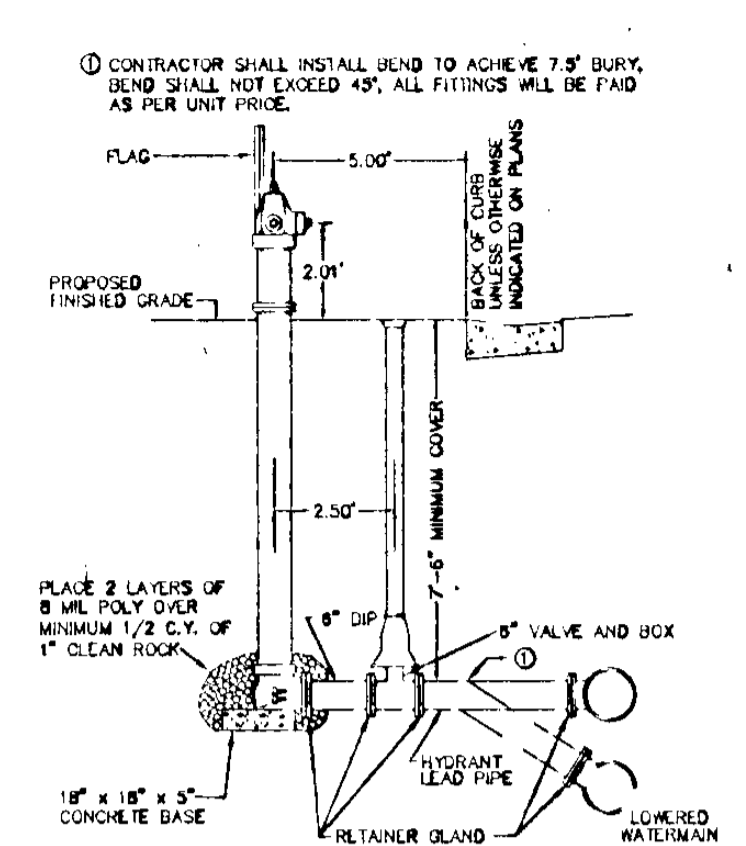
NOTES:  
 - ALL JOINTS SHALL BE SOLVENT WELD EXCEPT AS NOTED.  
 - 8" SLIP JOINT PLUG SHALL BE BLOCKED SUFFICIENTLY TO WITHSTAND AIR PRESSURE TESTING.

CLEAN OUT Plate No. SSS-6  
 Date: 01/29/97

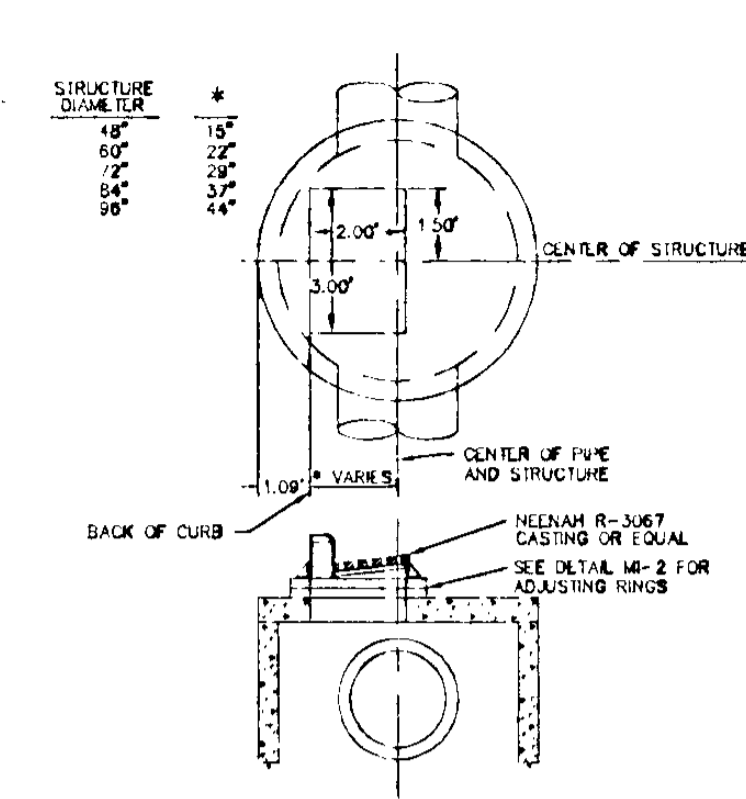


NOTES:  
 - ALL JOINTS SHALL BE SOLVENT WELD EXCEPT AS NOTED.  
 - SIZES: RESIDENTIAL = 4" DIAMETER, COMMERCIAL / INDUSTRIAL = 6" DIAMETER

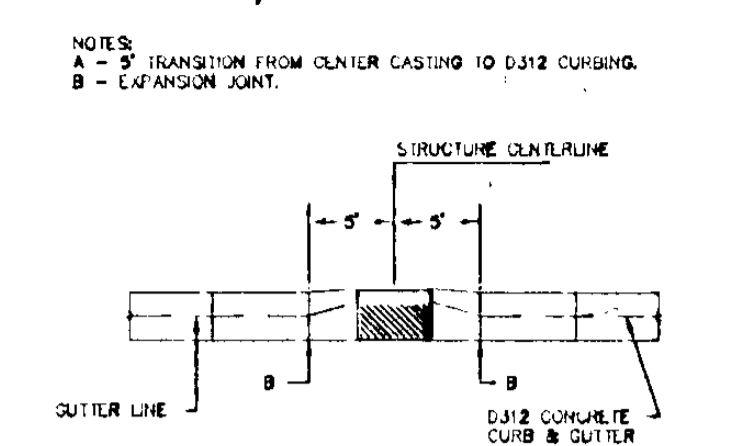
SERVICE CLEAN OUT Plate No. SSS-8  
 Date: 04/10/98



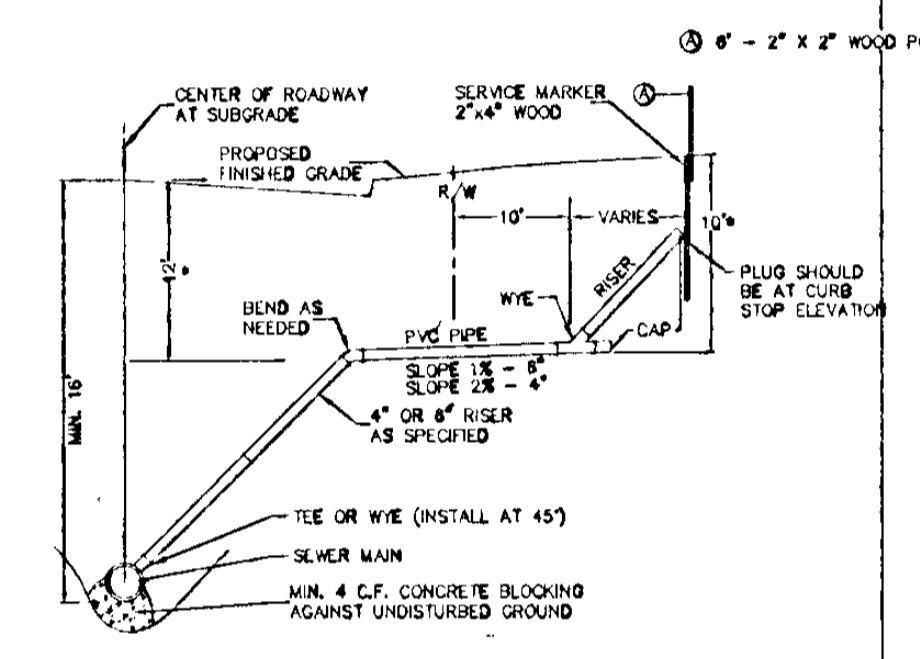
HYDRANT INSTALLATION Plate No. WS-2  
 Date: 1/31/97



RECTANGULAR OPENING CB COVER Plate No. SD-2  
 Date: 01/31/97

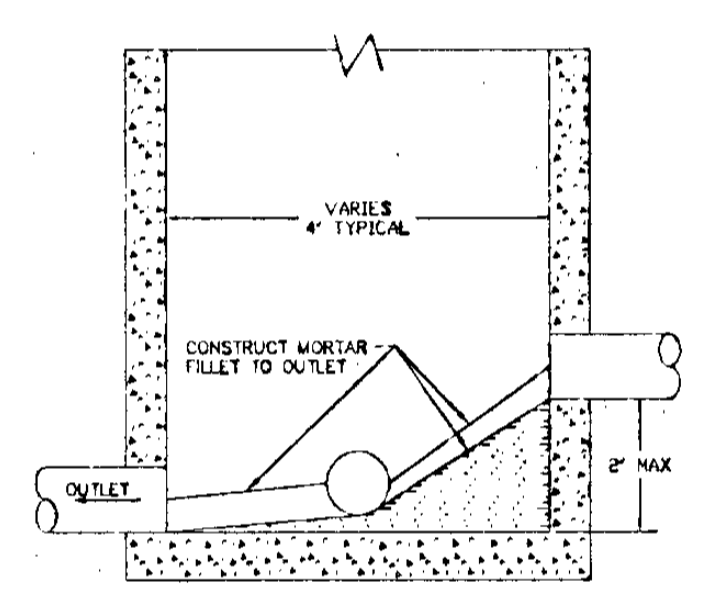


CATCH BASIN/CURBING & CASTING SCHEDULE Plate No. SD-3  
 Date: 01/31/97

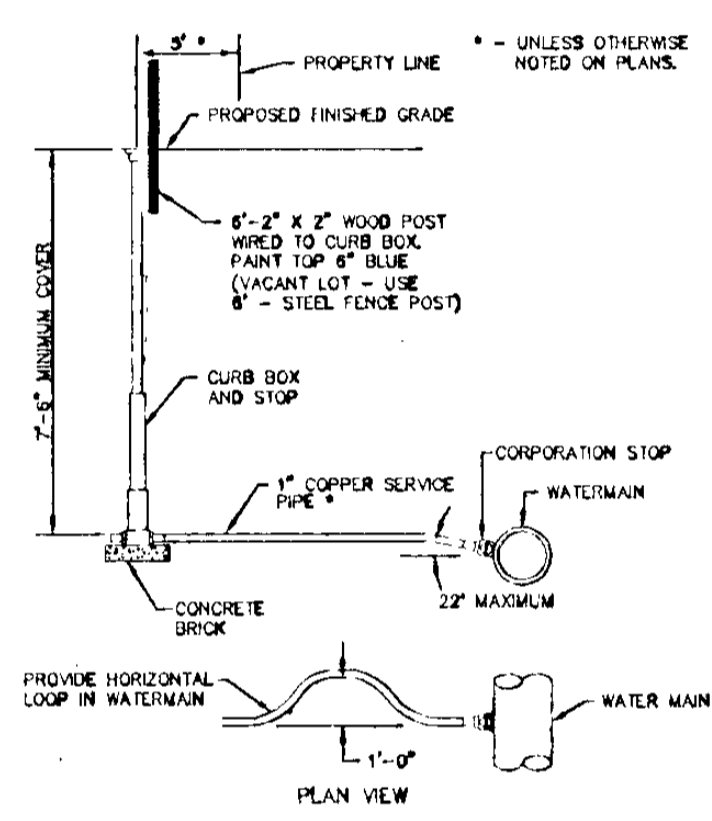


NOTE: WHEN SANITARY SERVICE IS NOT ACCOMPANIED BY A WATER SERVICE IN THE SAME TRENCH, INSTALL A 6" POST NEXT TO THE 2"x4" MARKER AND PAINT THE TOP 6" GREEN FOR VACANT LOTS, USE 6" STEEL FENCE POST.  
 \* UNLESS OTHERWISE INDICATED ON PLANS NO BEND MAY BE USED OTHER THAN THOSE SHOWN ON DETAIL. SOLVENT WELD ALL JOINTS.  
 \* WILL BE ADJUSTED IN FIELD BY ENGINEER TO SERVE EXISTING STRUCTURES.

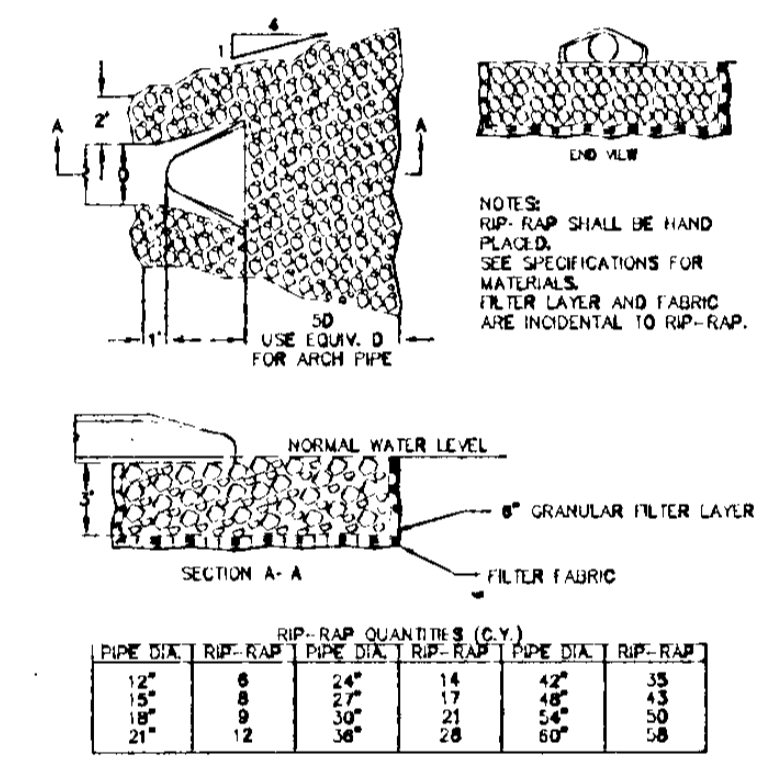
SERVICE RISER SECTION Plate No. SSS-3  
 Date: 01/29/97



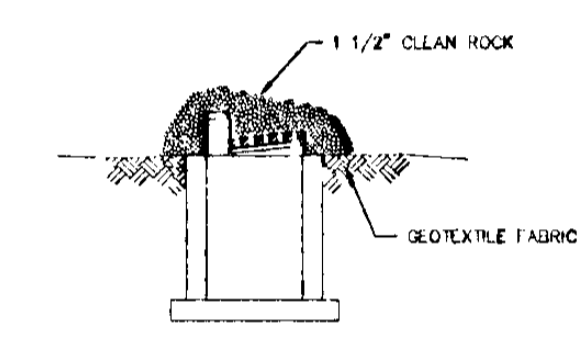
TYPICAL SANITARY MANHOLE INVERT Plate No. SSS-7  
 Date: 01/29/97



WATER SERVICE CONNECTION Plate No. WS-3  
 Date: 01/31/97

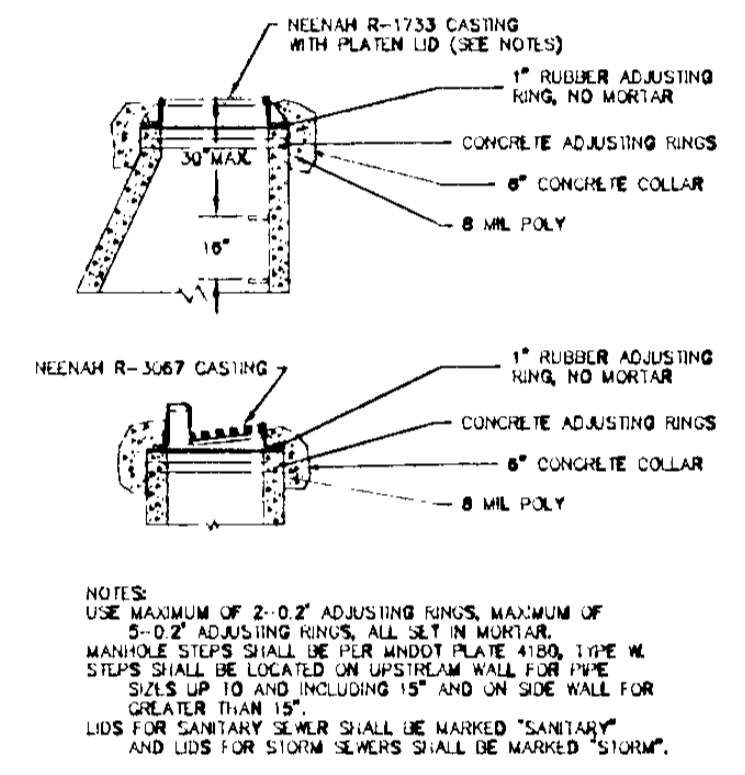


RIP-RAP FOR OUTLET TO WET DITCH OR BASIN Plate No. SD-3  
 Date: 01/31/97

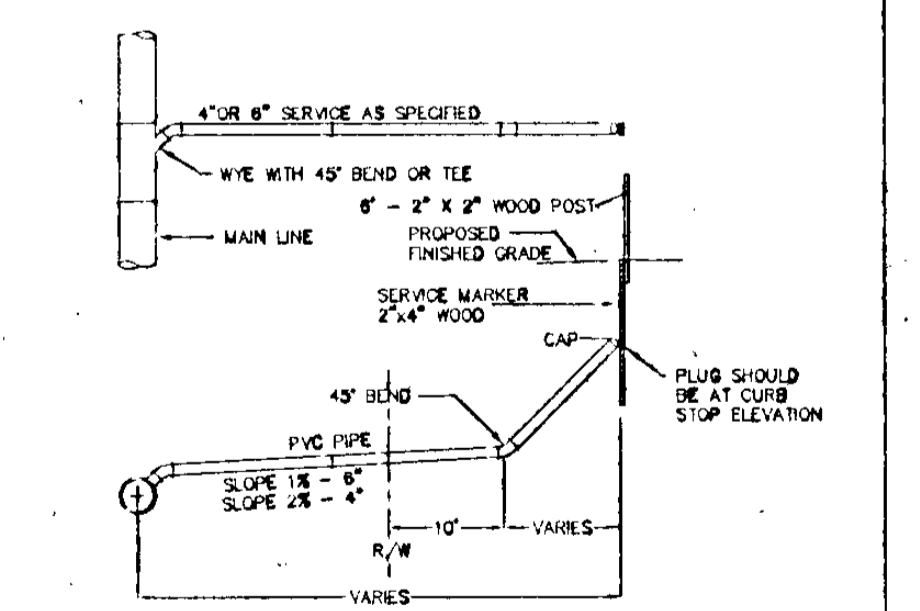


NOTES:  
 CONTRACTOR MUST PROVIDE SILT CONTROL THROUGHOUT THE DURATION OF THE PROJECT.  
 REMOVE ROCK AND FABRIC PRIOR TO PLACING CONCRETE CURBING.  
 CONTRACTOR SHALL CLEAN AS NEEDED AND/OR WHEN DIRECTED TO DO SO BY THE ENGINEER.

SILT CONTROL NEW CATCH BASIN Plate No. SD-6  
 Date: 01/31/97

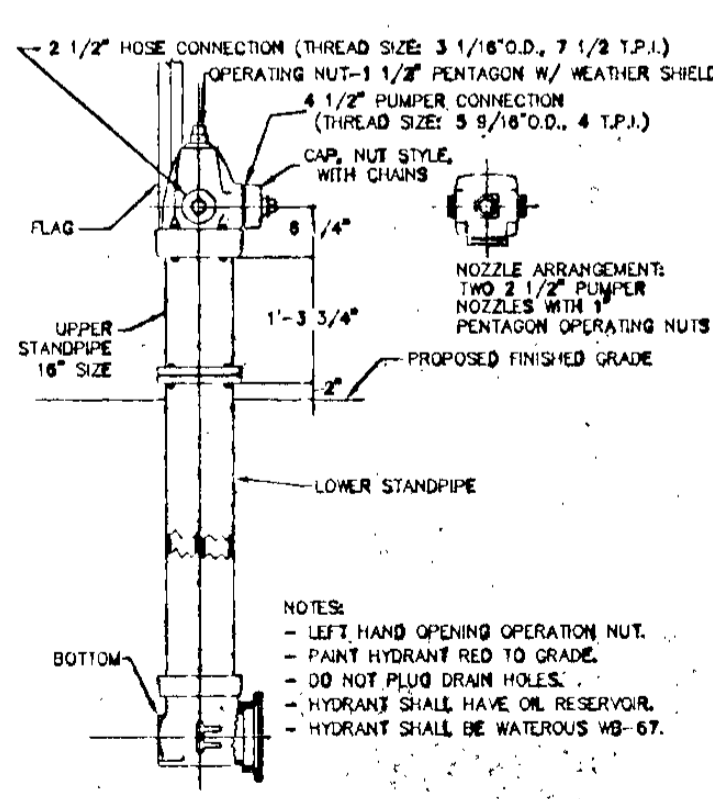


ADJUSTING RINGS & STEPS Plate No. M-2  
 Date: 01/29/97

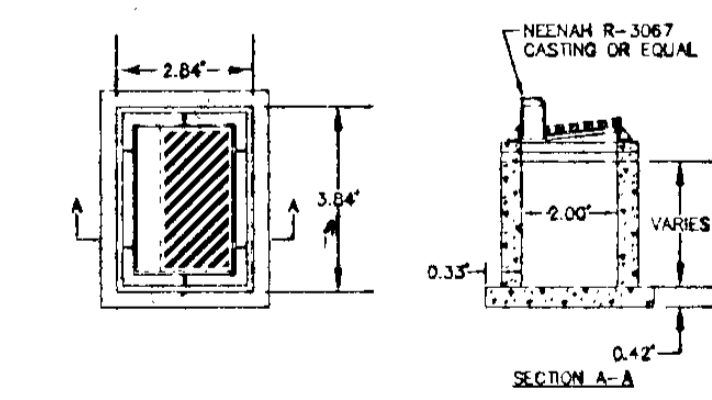


NOTE: WHEN SANITARY SERVICE IS NOT ACCOMPANIED BY A WATER SERVICE IN THE SAME TRENCH, INSTALL A 6" POST NEXT TO THE 2"x4" MARKER AND PAINT THE TOP 6" GREEN FOR VACANT LOTS, USE 6" STEEL FENCE POST.  
 \* UNLESS OTHERWISE INDICATED ON PLANS NO BEND MAY BE USED OTHER THAN THOSE SHOWN ON DETAIL. SOLVENT WELD ALL JOINTS ON EXISTING MAINS, SEE DETAIL SSS-2.

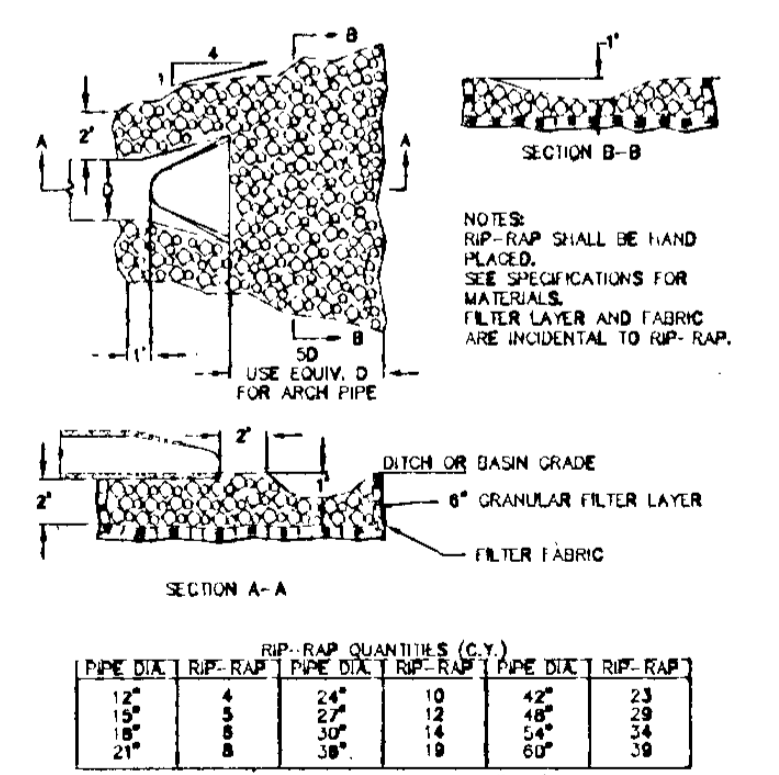
SERVICE CONNECTION Plate No. SSS-4  
 Date: 01/29/97



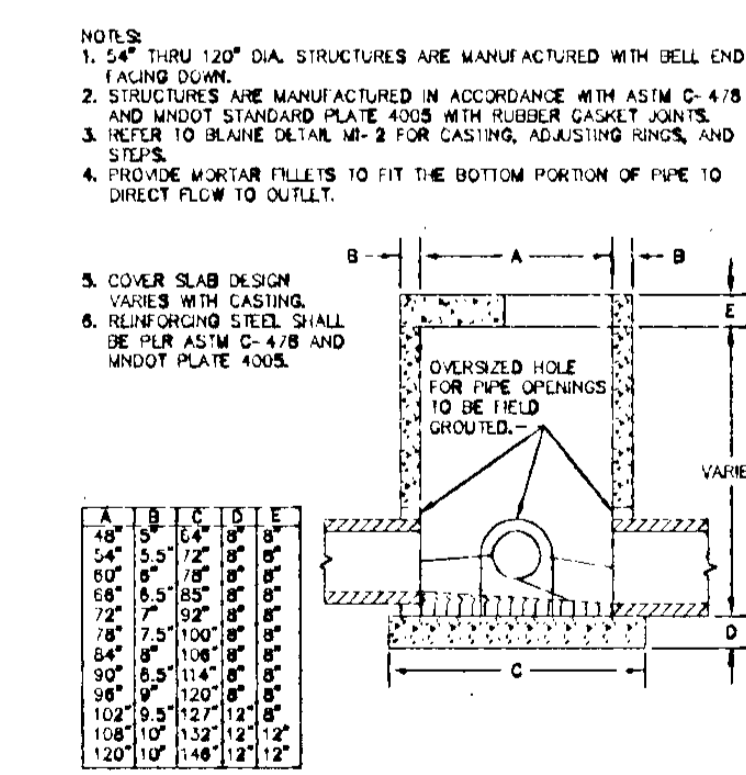
TYPICAL HYDRANT Plate No. WS-1  
 Date: 1/31/97



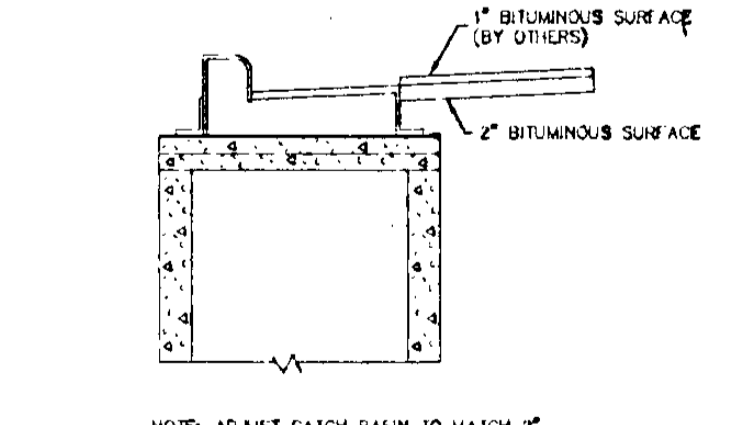
24" x 36" CATCH BASIN Plate No. SD-1  
 Date: 01/31/97



RIP-RAP FOR OUTLET TO DRY DITCH OR BASIN Plate No. SD-4  
 Date: 01/31/97



STANDARD STORM SEWER CATCH BASIN/MANHOLE & MANHOLE Plate No. SD-8  
 Date: 02/03/97



CATCH BASIN ADJUSTMENT Plate No. ST-7  
 Date: 02/13/97