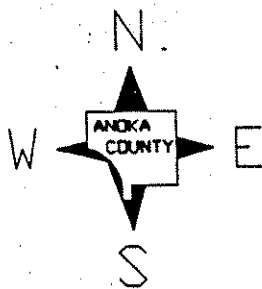


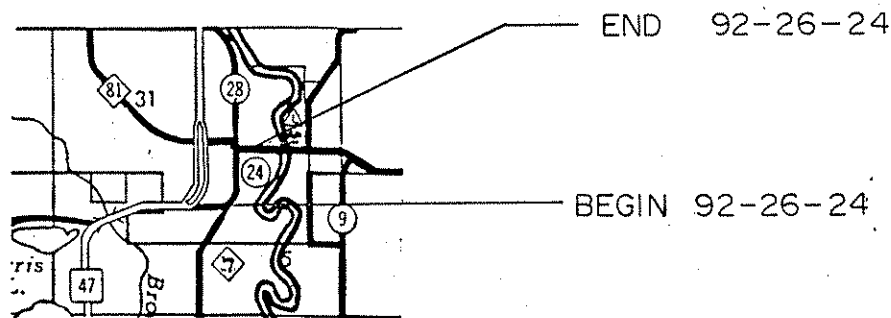
STATE OF MINNESOTA
 DEPARTMENT OF TRANSPORTATION
 CONSTRUCTION PLAN FOR BITUMINOUS MILLING
AND RESURFACING



COUNTY STATE AID HIGHWAY NO. 24
 COUNTY ROAD NO. _____
 From RUM RIVER BLVD.
 To BUTTERFIELD DRIVE
 From _____
 To _____

COUNTY PROJECT NO. 92-26-24

GROSS LENGTH 1590 FEET 0.301 MILES
 BRIDGES LENGTH 0 FEET 0 MILES
 EXCEPTIONS LENGTH 0 FEET 0 MILES
 NET LENGTH 1590 FEET 0.301 MILES



DESIGN SPEED

30 MPH.

GOVERNING SPECIFICATIONS

THE 1988 EDITION OF THE MINNESOTA DEPARTMENT OF TRANSPORTATION "STANDARD SPECIFICATIONS FOR CONSTRUCTION" AND "SUPPLEMENTAL SPECIFICATIONS TO THE 1988 STANDARD SPECIFICATIONS FOR CONSTRUCTION" DATED 1/2/1991 SHALL GOVERN.

ALL APPLICABLE FEDERAL, STATE AND LOCAL LAWS AND ORDINANCES WILL BE COMPLIED WITH IN THE CONSTRUCTION OF THIS PROJECT.

I HEREBY CERTIFY THAT THIS PLAN WAS PREPARED BY ME OR UNDER MY DIRECT SUPERVISION AND THAT I AM A DULY REGISTERED PROFESSIONAL ENGINEER UNDER THE LAWS OF THE STATE OF MINN.

Paul K. Kruel
 COUNTY ENGINEER DATE 5-22-92
ANKA COUNTY REG. NO. 6549

RECOMMENDED FOR APPROVAL _____, 19____
 DISTRICT ENGINEER

RECOMMENDED FOR APPROVAL _____

APPROVED _____, 19____
 STATE AID ENGINEER

COUNTY PROJECT 92-26-24

STATE AID PROJECT _____

ITEM NO	ITEM	UNIT	TOTAL EST. QUANT
2232.501	MILL BITUMINOUS SURFACE	SQ.YD.	489
① 2331.508	TYPE 41 WEARING COURSE MIXTURE	TON	539
2331.512	TYPE 31 LEVELING COURSE MIXTURE	TON	40
2357.502	BITUMINOUS MATERIAL FOR TACK COAT	GAL.	300
2580.501	TEMPORARY LANE MARKING	RD.STA.	16

① INCLUDES 25 TONS FOR STREET APPROACHES AND ENTRANCES

BASIS OF PLANNED QUANTITIES

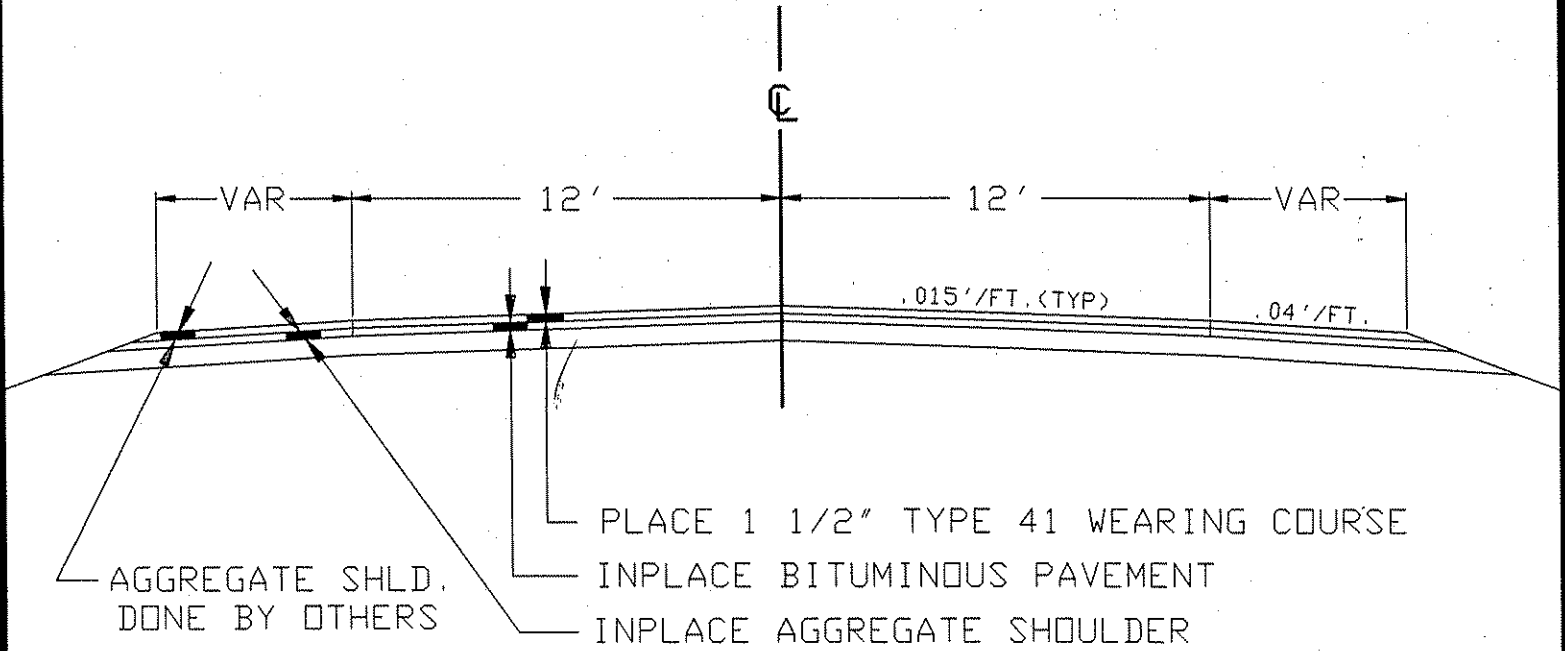
2331 TYPE 41 WEARING COURSE MIXTURE: 120 LBS/SQ.YD. PER 1"

2357 BITUMINOUS MATERIAL FOR TACK COAT: 0.05 GAL/SQ.YD.

STANDARD DETAIL PLATES	
PLATE NO.	DESCRIPTION
0004 A	SPECIFICATION REFERENCE TO STANDARD PLATES
8000 I	STANDARD BARRICADES

TYPICAL SECTIONS

STATION 0+00 TO STATION 91+45

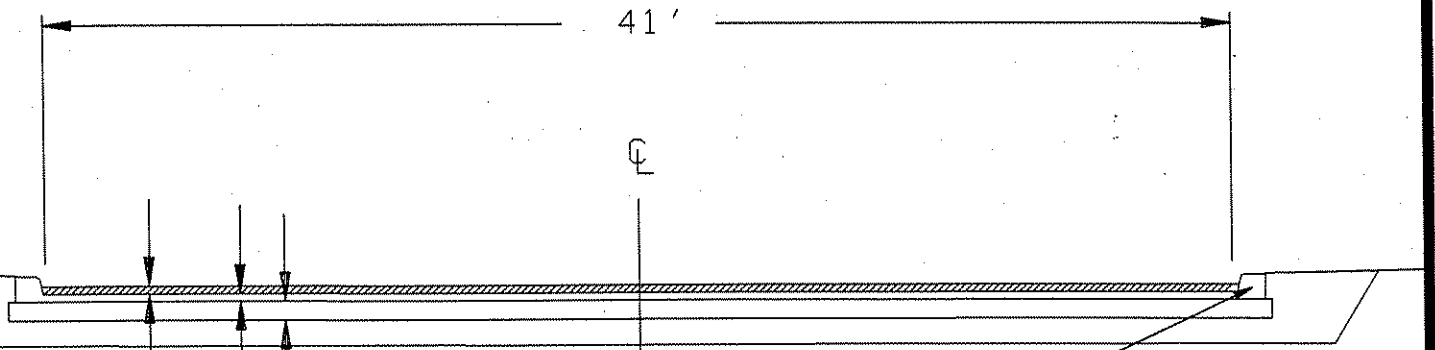


NOTE :

NOT TO SCALE

TYPICAL SECTION

STATION 91+45 TO STATION 115+90



← INPLACE BIT. CURB

INPLACE VAR. DEPTH BIT. BASE & BINDER

INPLACE 1 1/2" 2341 BIT. WEARING COURSE

PLACE 1 1/2" 2331 TYPE 41 WEARING COURSE

NOTE:

NOT TO SCALE

TYPICAL ENTRANCES

