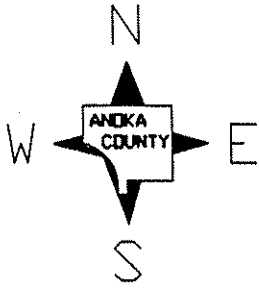


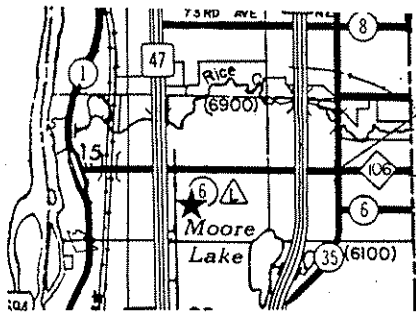
STATE OF MINNESOTA
 DEPARTMENT OF TRANSPORTATION
 CONSTRUCTION PLAN FOR BITUMINOUS MILLING
AND RESURFACING



COUNTY STATE AID HIGHWAY NO. _____
 COUNTY ROAD NO. 106
 From C.S.A.H. 35
 To EAST COUNTY LINE
 From _____
 To _____

COUNTY PROJECT NO. 92-31-106

GROSS LENGTH 2300 FEET 0.436 MILES
 BRIDGES LENGTH 0 FEET 0 MILES
 EXCEPTIONS LENGTH 0 FEET 0 MILES
 NET LENGTH 2300 FEET 0.436 MILES



BEGIN 92-31-106

END 92-31-106

DESIGN SPEED

30 MPH.

GOVERNING SPECIFICATIONS

THE 1988 EDITION OF THE MINNESOTA DEPARTMENT OF TRANSPORTATION "STANDARD SPECIFICATIONS FOR CONSTRUCTION" AND "SUPPLEMENTAL SPECIFICATIONS TO THE 1988 STANDARD SPECIFICATIONS FOR CONSTRUCTION" DATED 1/2/1991 SHALL GOVERN.

ALL APPLICABLE FEDERAL, STATE AND LOCAL LAWS AND ORDINANCES WILL BE COMPLIED WITH IN THE CONSTRUCTION OF THIS PROJECT.

I HEREBY CERTIFY THAT THIS PLAN WAS PREPARED BY ME OR UNDER MY DIRECT SUPERVISION AND THAT I AM A DULY REGISTERED PROFESSIONAL ENGINEER UNDER THE LAWS OF THE STATE OF MINN.

Paul K. Reed
 COUNTY ENGINEER

DATE 5-22-92

ANKA

COUNTY REG. NO. 6549

RECOMMENDED FOR APPROVAL _____, 19____
 DISTRICT ENGINEER

RECOMMENDED FOR APPROVAL _____

APPROVED _____, 19____
 STATE AID ENGINEER

COUNTY PROJECT 92-31-106

STATE AID PROJECT _____ (C.R. 106) (CSAH) SHEET 1 OF 3 SHEETS

ITEM NO	ITEM	UNIT	TOTAL EST. QUANT
2232.501	MILL BITUMINOUS SURFACE	SQ.YD.	487
2331.508	TYPE 41 WEARING COURSE MIXTURE	TON	917
2357.502	BITUMINOUS MATERIAL FOR TACK COAT	GAL.	555
2580.501	TEMPORARY LANE MARKING	RD.STA.	23
2104.501	REMOVE CURB & GUTTER	LIN. FT.	39
2531.501	CONC. CURB & GUTTER DESIGN B-618	LIN. FT.	39
0504.602	ADJUST WATER GATE HOUSING	EACH	2
2506.522	ADJUST FRAME AND RING CASTING	EACH	8

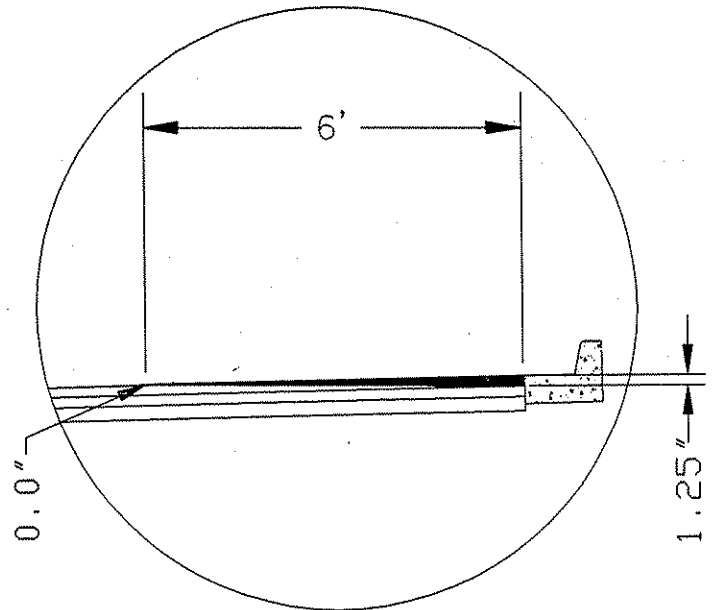
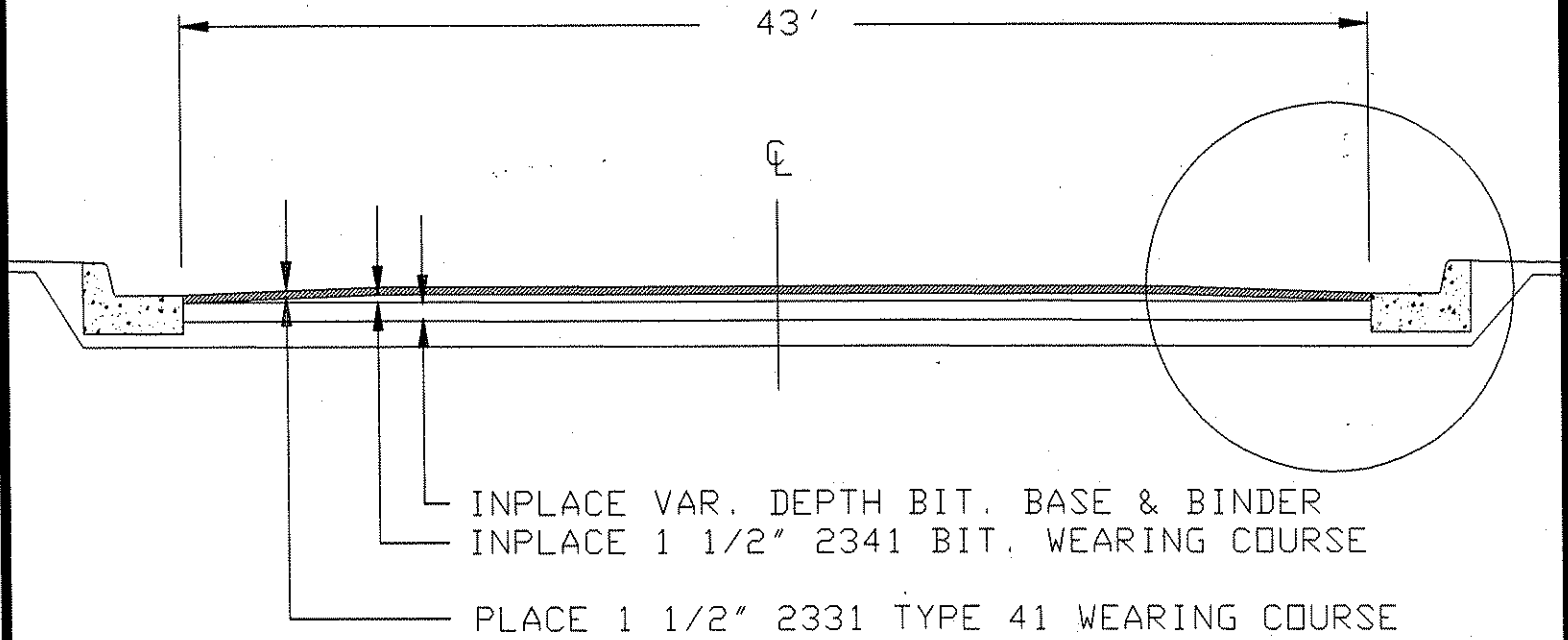
BASIS OF PLANNED QUANTITIES

2331 TYPE 41 WEARING COURSE MIXTURE: 110 LBS/SQ.YD. PER 1"

2357 BITUMINOUS MATERIAL FOR TACK COAT: 0.05 GAL/SQ.YD.

STANDARD DETAIL PLATES	
PLATE NO.	DESCRIPTION
0004 A	SPECIFICATION REFERENCE TO STANDARD PLATES
8000 I	STANDARD BARRICADES
7100 F	CONCRETE CURB & GUTTER

MILLING AND RESURFACING TYPICAL SECTION



MILL 1 1/4" BELOW THE GUTTER LINE,
UP TO 0" AT 6' FROM GUTTER

NOTE:

NOT TO SCALE