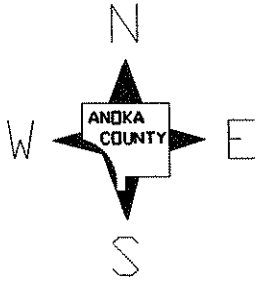


STATE OF MINNESOTA  
 DEPARTMENT OF TRANSPORTATION  
 CONSTRUCTION PLAN FOR MILLING & BITUMINOUS OVERLAY



COUNTY STATE AID HIGHWAY NO. 18

From C.S.A.H. #1 - COON RAPIDS BLVD.

To INTERSECTION WITH 123 RD. AVE.

From \_\_\_\_\_

To \_\_\_\_\_

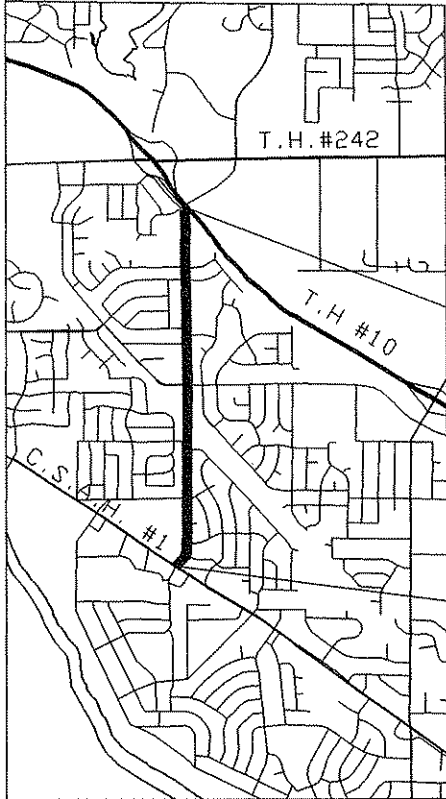
COUNTY PROJECT NO. 95-36-18

GROSS LENGTH 8,447.00 FEET 1.560 MILES

BRIDGES LENGTH 30.00 FEET 0.006 MILES

EXCEPTIONS LENGTH 30.00 FEET 0.006 MILES

NET LENGTH 8,417.00 FEET 1.554 MILES



END C.P. 95-36-18

BEGIN C.P. 95-36-18

DESIGN SPEED

ALL APPLICABLE FEDERAL, STATE AND LOCAL LAWS AND ORDINANCES WILL BE COMPLIED WITH IN THE CONSTRUCTION OF THIS PROJECT.

I HEREBY CERTIFY THAT THIS PLAN WAS PREPARED BY ME OR UNDER MY DIRECT SUPERVISION AND THAT I AM A DULY REGISTERED PROFESSIONAL ENGINEER UNDER THE LAWS OF THE STATE OF MINN.

GOVERNING SPECIFICATIONS

THE 1988 EDITION OF THE MINNESOTA DEPARTMENT OF TRANSPORTATION "STANDARD SPECIFICATIONS FOR CONSTRUCTION", AS AMENDED BY THE MAY 2, 1994 SUPPLEMENTAL SPECIFICATIONS, SHALL GOVERN.

*[Signature]* REG. NO. 20235 DATE 5/18/95  
 DESIGN ENGINEER

APPROVED 5/18/95 *[Signature]*  
 ANOKA COUNTY ENGINEER

ITEM NO	ITEM	UNIT	TOTAL EST. QUANT
2232.501	MILL BITUMINOUS SURFACE	SQ YD	23,520
2340.508	TYPE 41 WEARING COURSE MIXTURE	TON	4,144
2357.502	BITUMINOUS MATERIAL FOR TACK COAT	GALLON	2,302
0504.602	ADJUST GATE VALVE	EACH	6
2506.522	ADJUST FRAME AND RING CASTING	EACH	24
2580.501	TEMPORARY LANE MARKING	RD STA	85

DESIGN DESIGNATIONS:

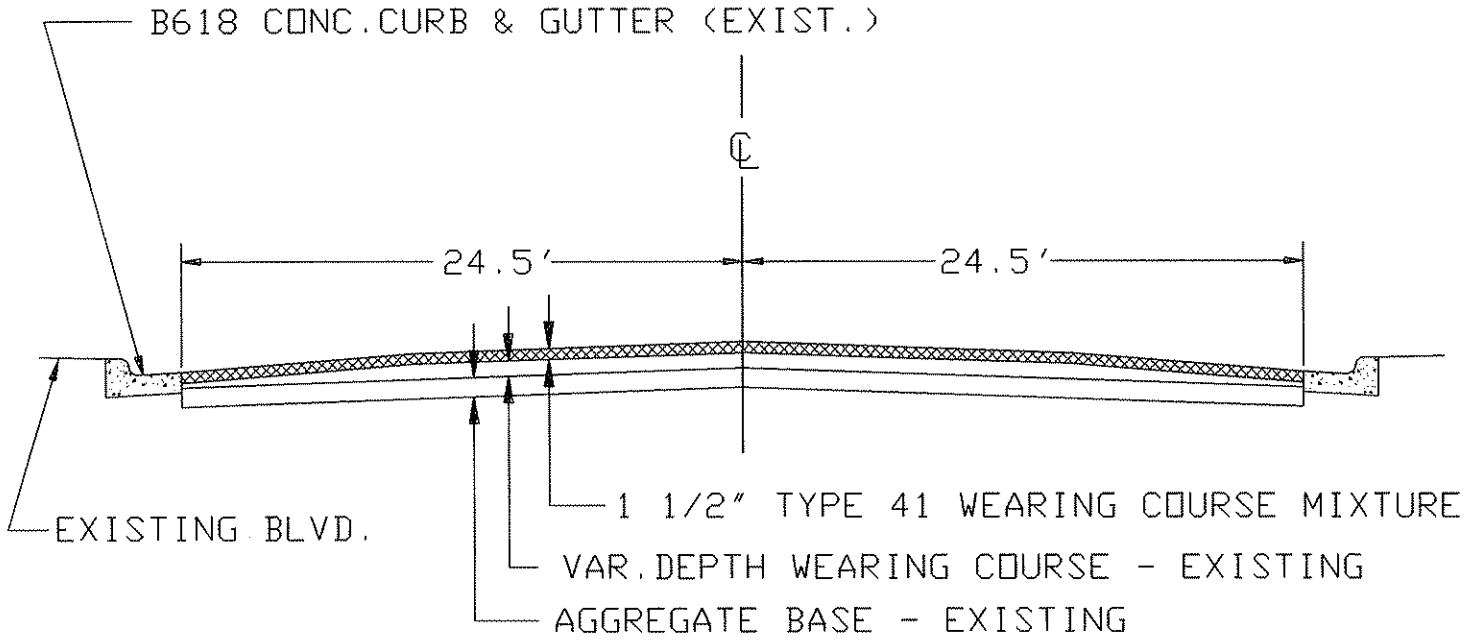
TYPE 41 WEAR: 41WEA50055Y

BASIS OF PLANNED QUANTITIES

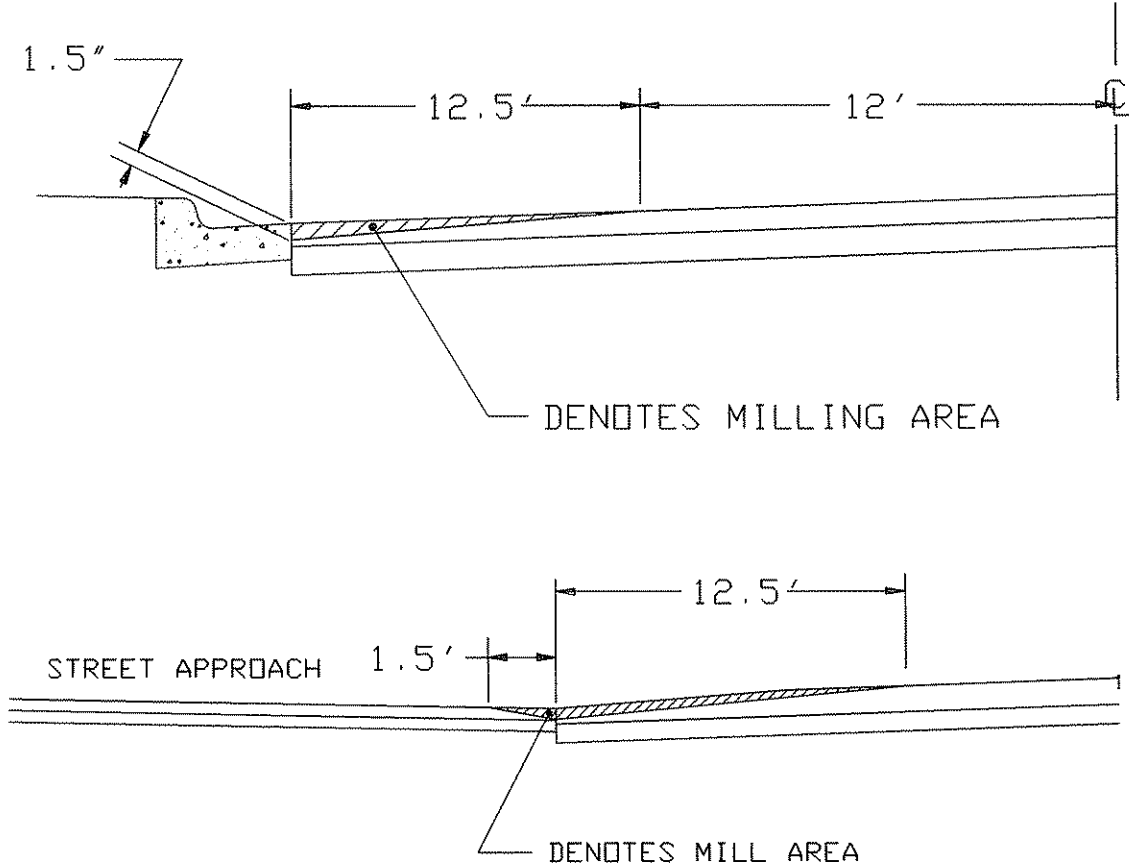
2340 TYPE 41 WEARING COURSE MIX.: 120 LBS./SQ.YD. PER 1" THICK  
 2357 BITUMINOUS MATERIAL FOR TACK COAT: 0.05 GAL./SQ.YD.

STANDARD DETAIL PLATES	
PLATE NO.	DESCRIPTION
0004 A	SPECIFICATION REFERENCE TO STANDARD PLATES
8000 I	STANDARD BARRICADES

# TYPICAL SECTIONS



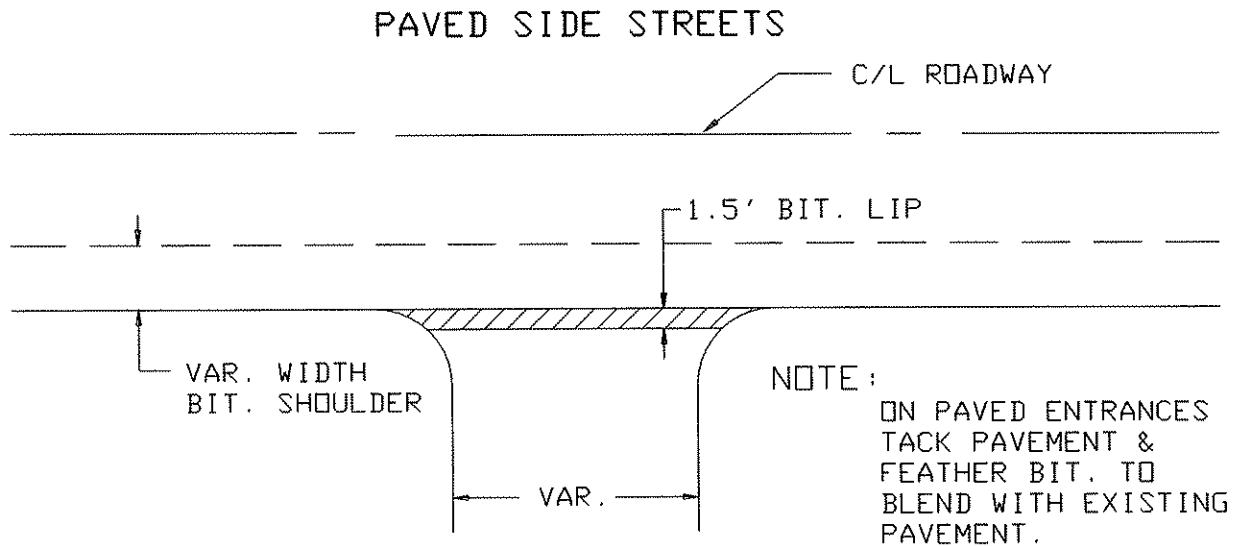
## MILLING DETAILS



NOTE :

NOT TO SCALE

# TYPICAL ENTRANCES



NOTE:

NOT TO SCALE