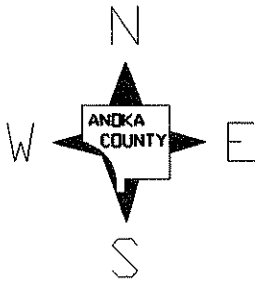


STATE OF MINNESOTA
 DEPARTMENT OF TRANSPORTATION
 CONSTRUCTION PLAN FOR BIT, OVERLAY AND
AGG. SHLD.



C.S.A.H. NO. 24
 From C.R. 70
 To C.S.A.H. 5 INTERSECTION
 From _____
 To _____

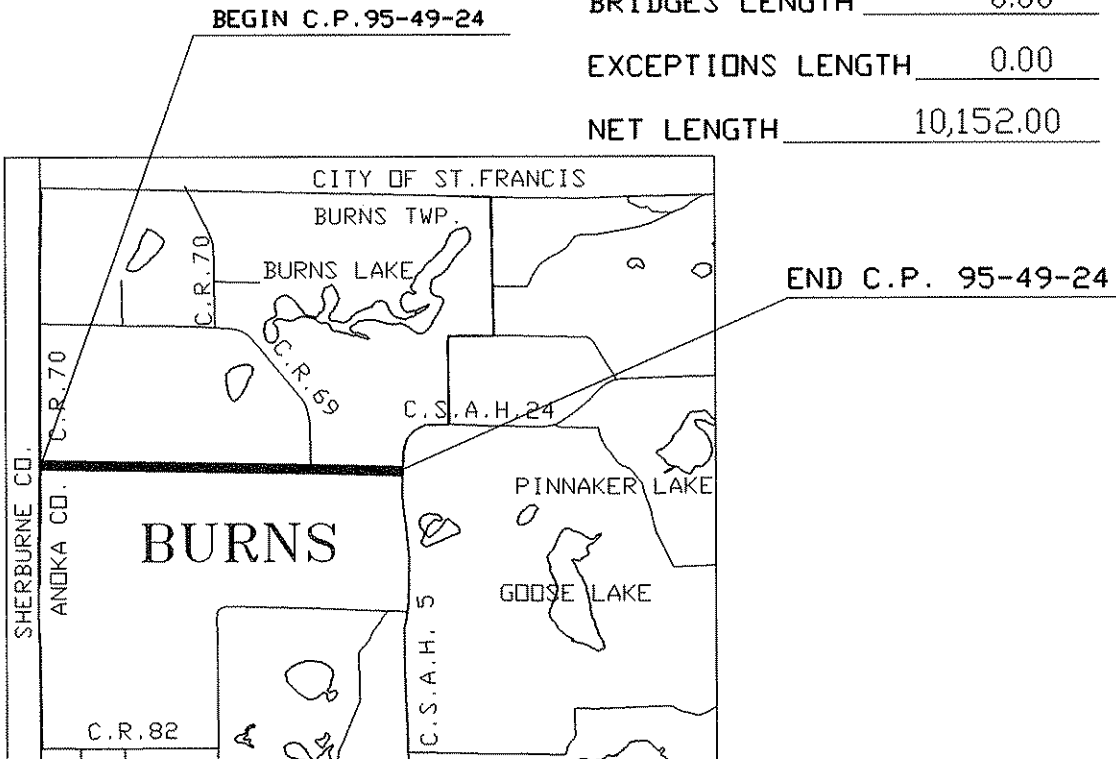
COUNTY PROJECT NO. 95-49-24

GROSS LENGTH 10,152.00 FEET 1.923 MILES

BRIDGES LENGTH 0.00 FEET 0.000 MILES

EXCEPTIONS LENGTH 0.00 FEET 0.000 MILES

NET LENGTH 10,152.00 FEET 1.923 MILES



DESIGN SPEED

ALL APPLICABLE FEDERAL, STATE AND LOCAL LAWS AND ORDINANCES WILL BE COMPLIED WITH IN THE CONSTRUCTION OF THIS PROJECT.

I HEREBY CERTIFY THAT THIS PLAN WAS PREPARED BY ME OR UNDER MY DIRECT SUPERVISION AND THAT I AM A DULY REGISTERED PROFESSIONAL ENGINEER UNDER THE LAWS OF THE STATE OF MINN.

GOVERNING SPECIFICATIONS

THE 1988 EDITION OF THE MINNESOTA DEPARTMENT OF TRANSPORTATION "STANDARD SPECIFICATIONS FOR CONSTRUCTION", AS AMENDED BY THE MAY 2, 1994 SUPPLEMENTAL SPECIFICATIONS.

Richard W. Finckel REG. NO. 20235 DATE 6/20/95
 DESIGN ENGINEER
 APPROVED 6/20/95, *J. J. Jansell*
 ANOKA COUNTY ENGINEER

ITEM NO	ITEM	UNIT	TOTAL EST. QUANT
② 2123.503	MOTOR GRADER	HOUR	20
2221.501	AGGREGATE SHOULDERING, CLASS 5	TON	914
2232.501	MILL BITUMINOUS SURFACE	SQ YD	92
① 2340.508	TYPE 41 WEARING COURSE MIXTURE	TON	2,771
③ 2340.512	TYPE 31 LEVELING COURSE MIXTURE	TON	50
2357.502	BITUMINOUS MATERIAL FOR TACK COAT	GALLON	1,528
2580.501	TEMPORARY LANE MARKING	RD STA	102

- ① INCLUDES BIT.LIP QUANTITIES FOR PAVED STREET APPROACHES.
- ② FOR FINAL SHOULDER PREPARATION PRIOR TO PAVING AND SHOULDERING (SEE TYPICAL SECTIONS)
- ③ FOR SPOT LEVELING

DESIGN DESIGNATIONS:

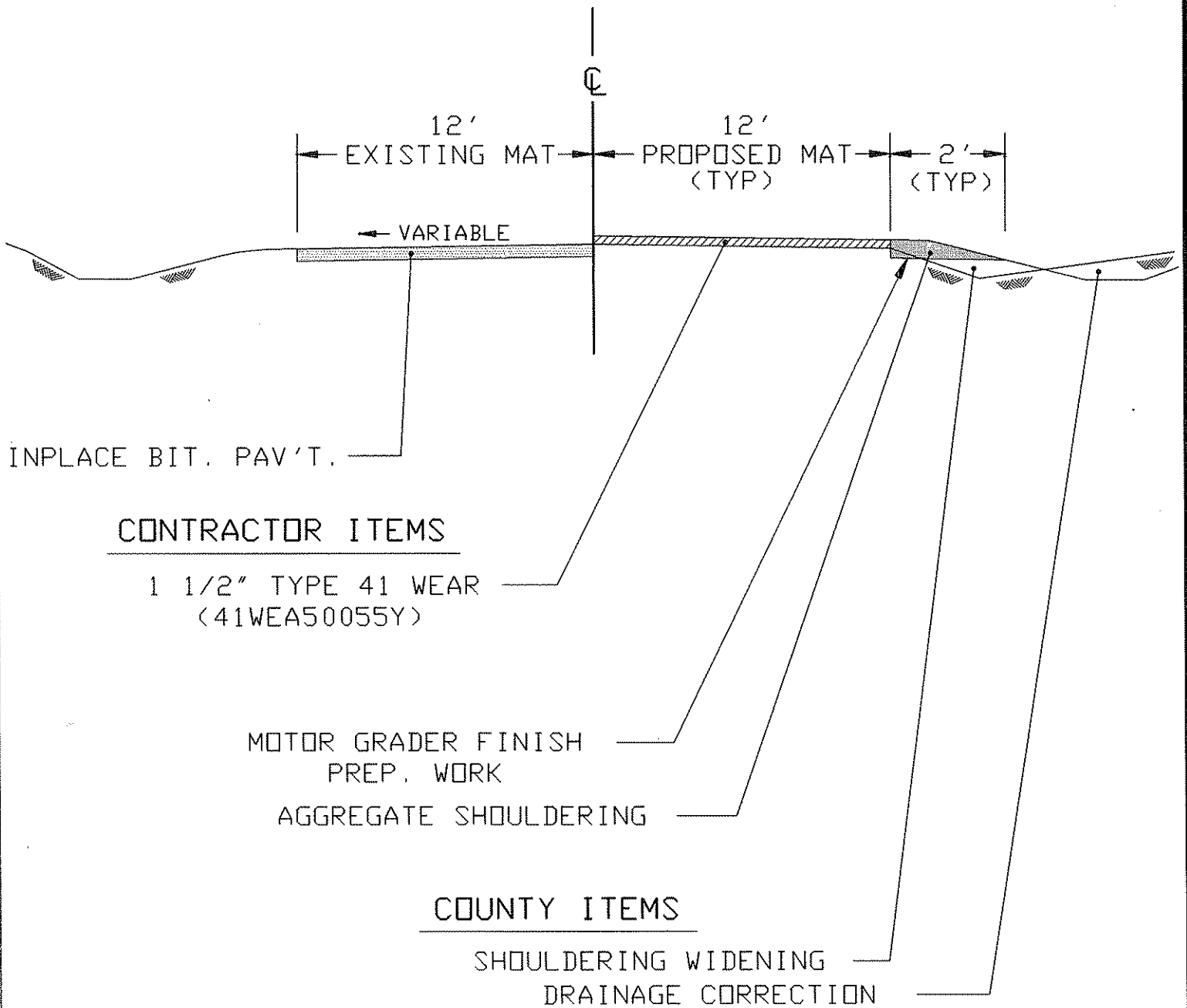
TYPE 41 WEAR: 41WEA50055Y
 TYPE 31 LEVEL: 31LVA50000Y

BASIS OF PLANNED QUANTITIES

2340 TYPE 41 WEARING COURSE MIX.: 120 LBS./SQ.YD. PER 1" THICK
 2357 BITUMINOUS MATERIAL FOR TACK COAT: 0.05 GAL./SQ.YD.

STANDARD DETAIL PLATES	
PLATE NO.	DESCRIPTION
0004 A	SPECIFICATION REFERENCE TO STANDARD PLATES
8000 I	STANDARD BARRICADES

TYPICAL SECTIONS

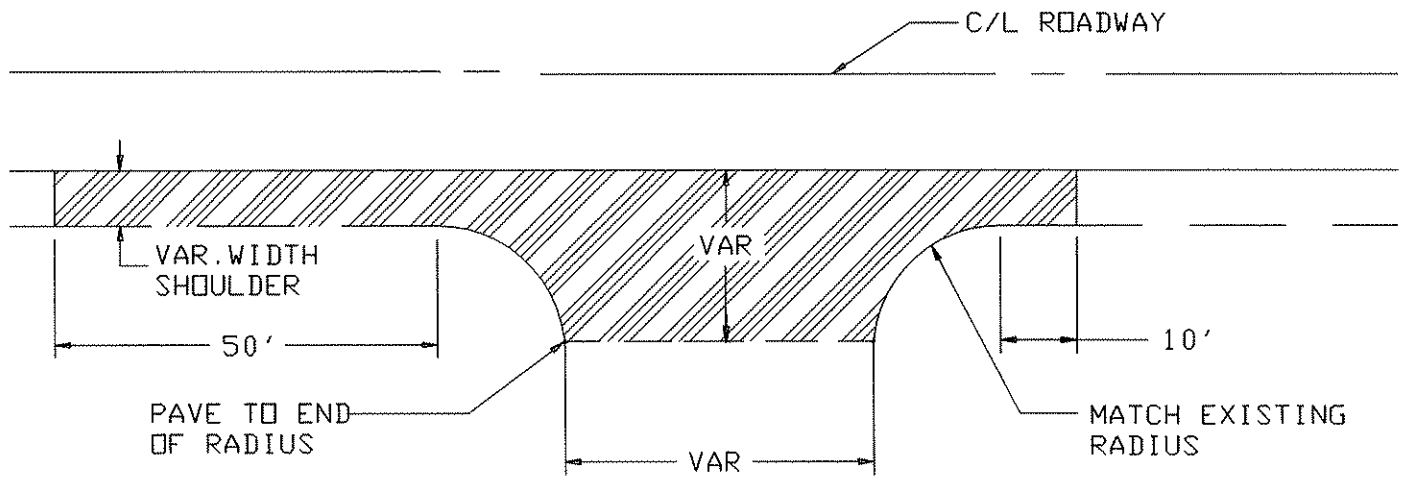


NOTE:

NOT TO SCALE

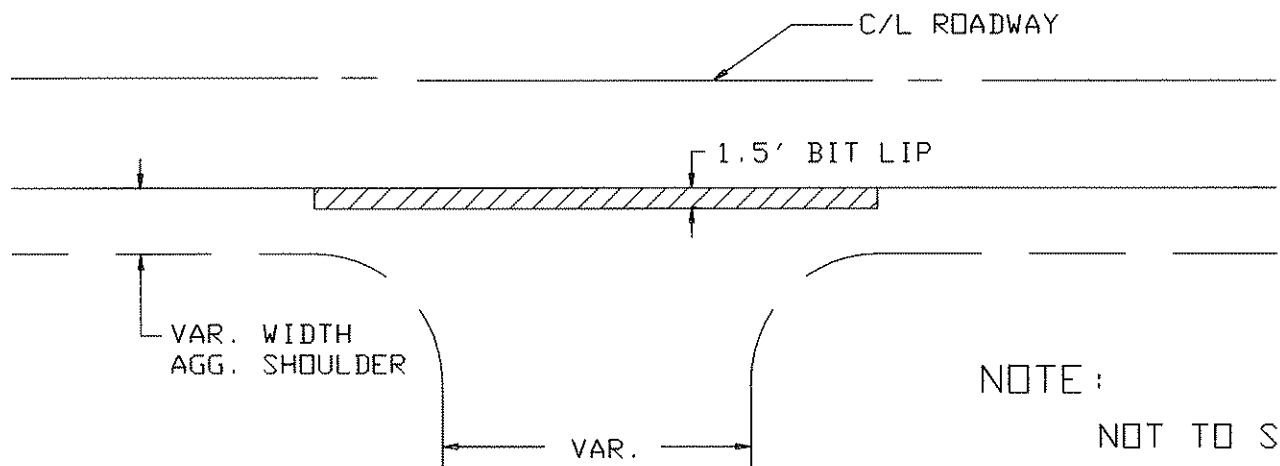
TYPICAL STREET APPROACHES

UNPAVED SIDE ROADS & STREETS



NOTE: PAID FOR AS ITEM 0340.601
(2" THICK BIT. WEARING COURSE)

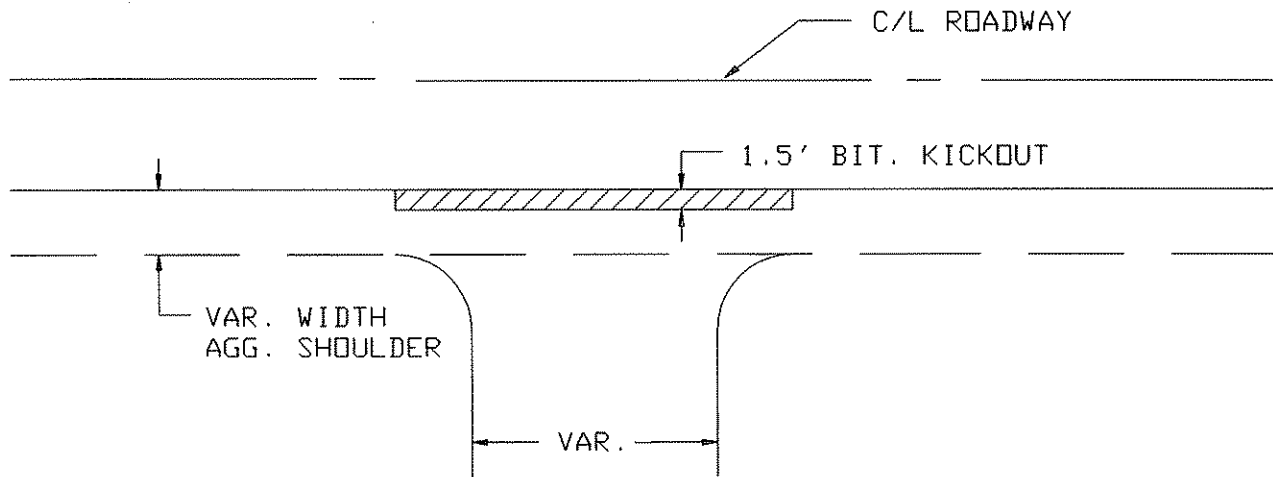
PAVED SIDE ROADS & STREETS



NOTE: KICKOUT PAID FOR AS ITEM NO. 2340.508
(TYPE 41 WEARING COURSE MIXTURE)

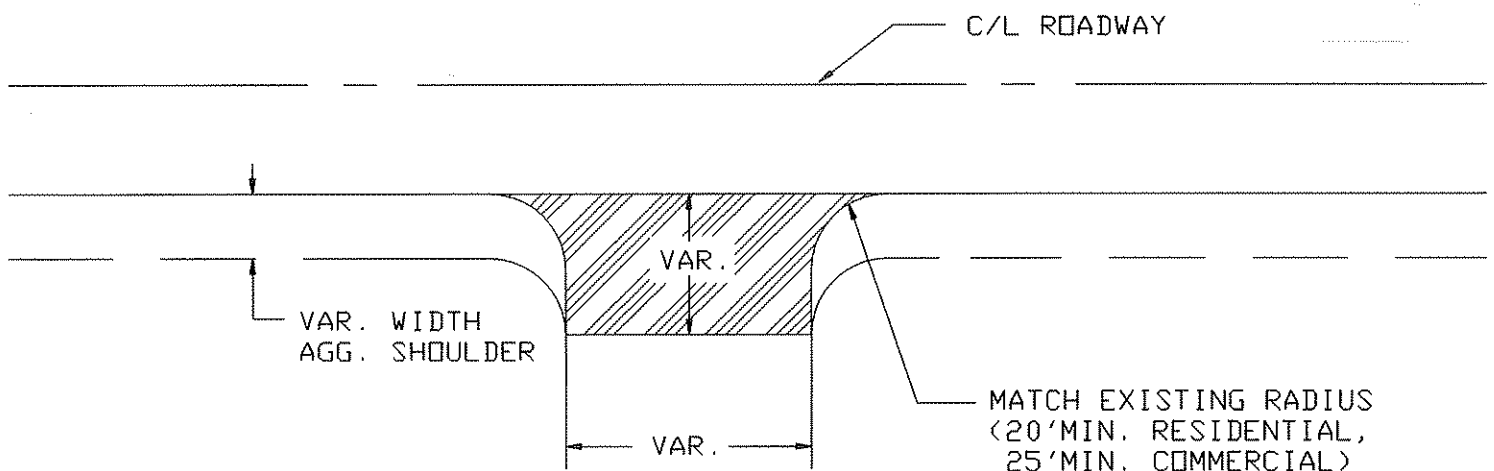
TYPICAL ENTRANCES

UNPAVED DRIVEWAY AND FIELD ENTRANCES



NOTE: KICKOUT PAID FOR AS ITEM NO. 2340.508
(TYPE 41 WEARING COURSE MIXTURE)

PAVED ENTRANCES

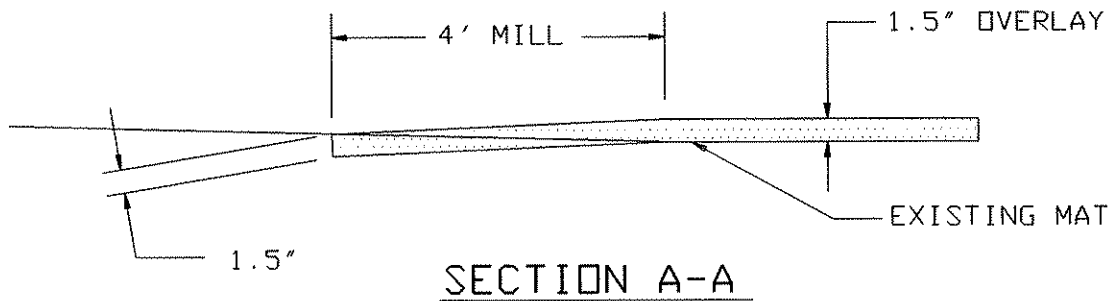
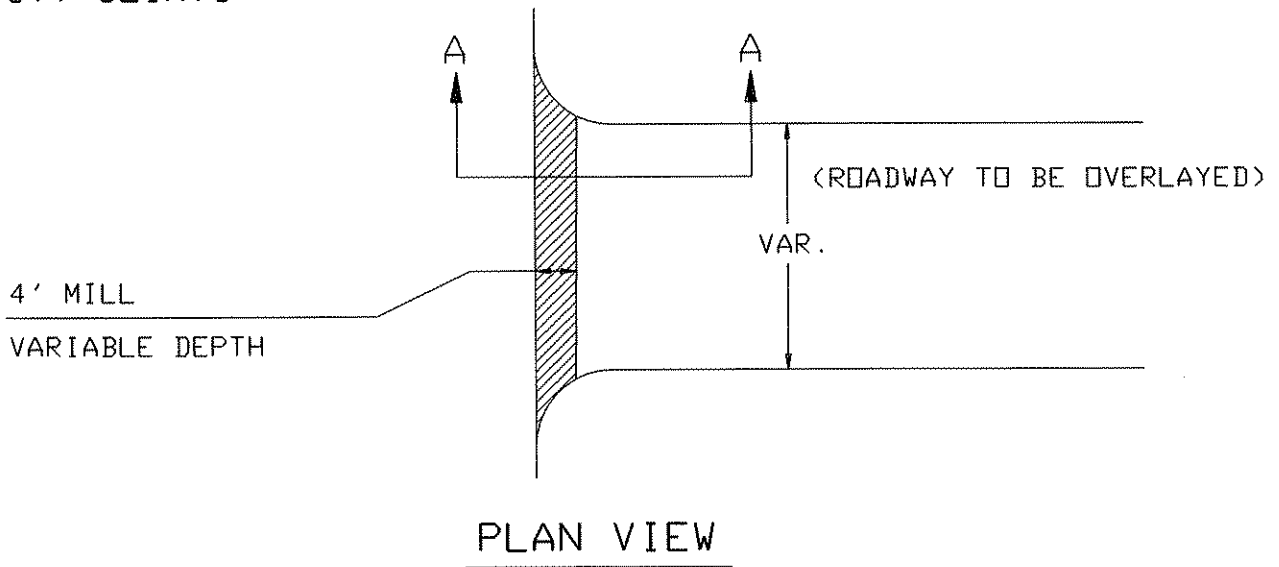


NOTE: PAID FOR AS ITEM 0340.601
(2" THICK BIT. WEARING COURSE)

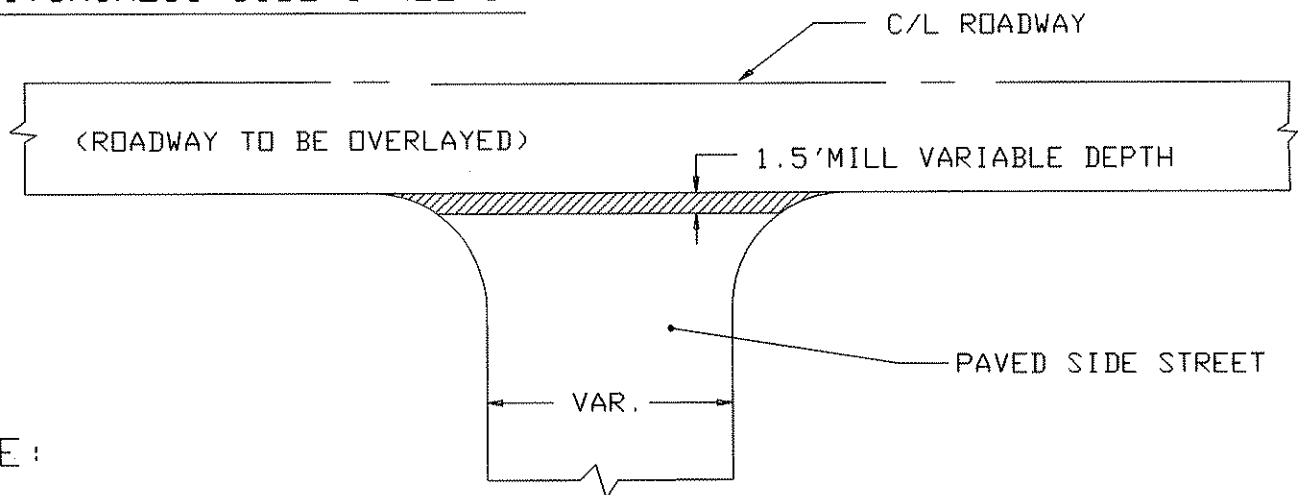
NOTE:
NOT TO SCALE

MILLING DETAILS

BUTT JOINTS



BITUMINOUS SIDE STREETS



NOTE:

NOT TO SCALE