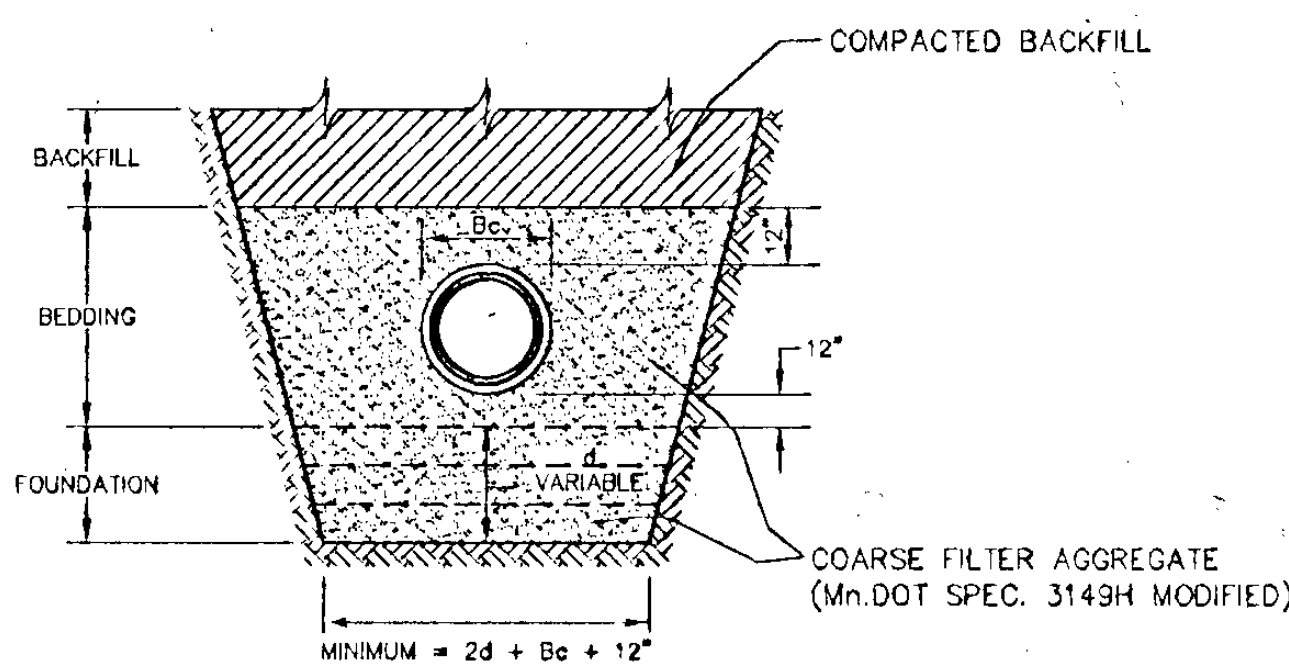
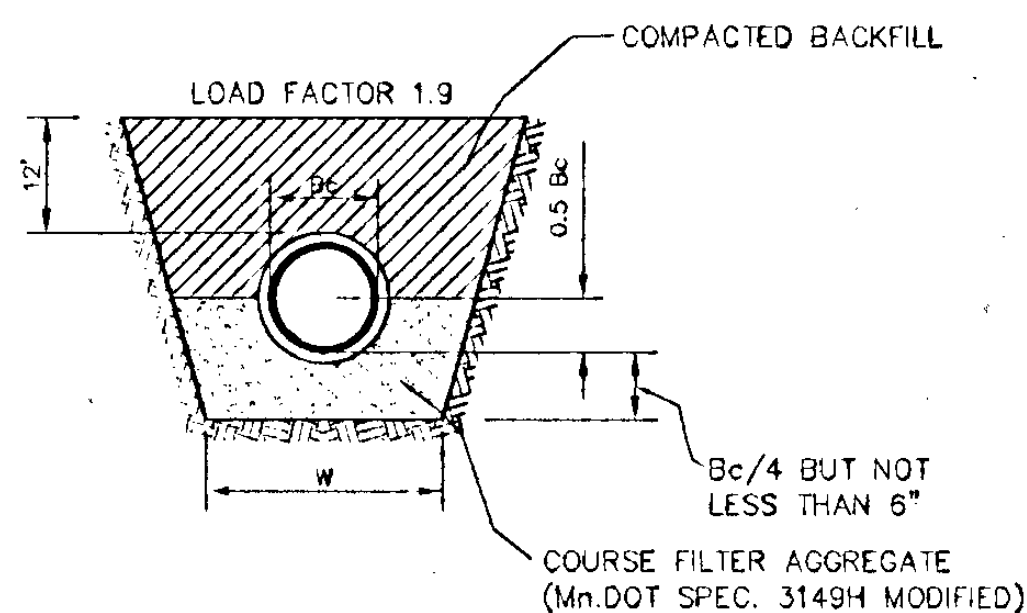


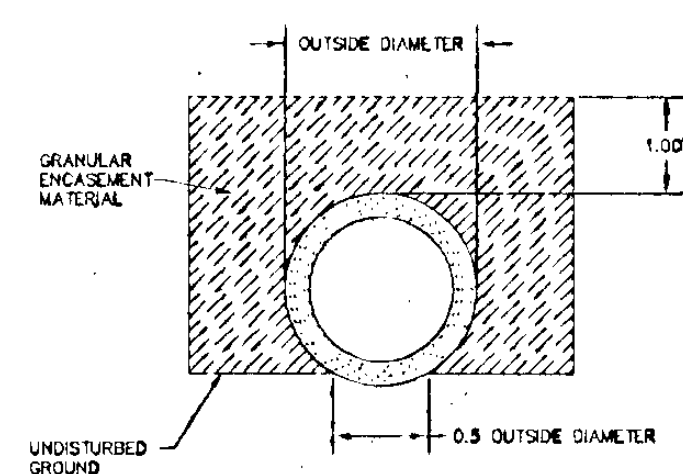
PIPE FOUNDATION & BEDDING IN GOOD SOILS



PIPE BEDDING DETAILS FOR PVC PIPE



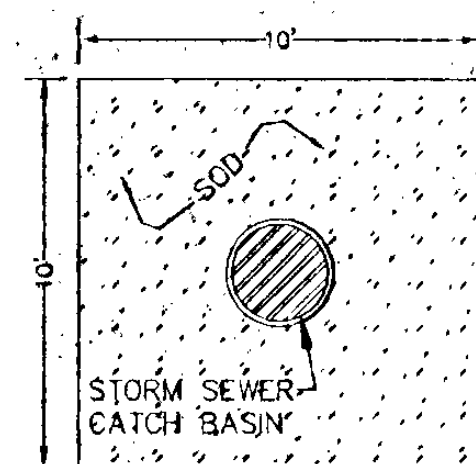
CLASS B HAND SHAPED FROM ANGULAR BEDDING MATERIAL



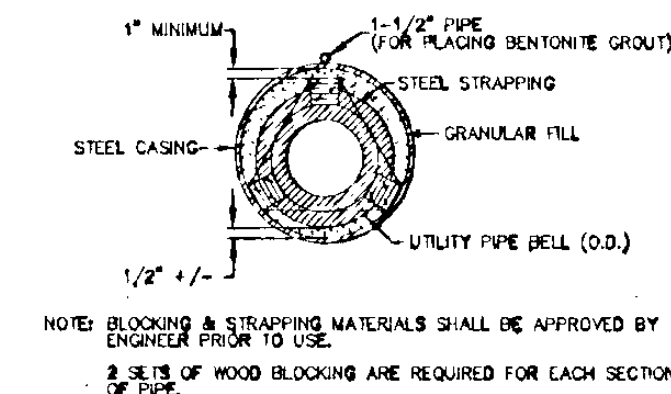
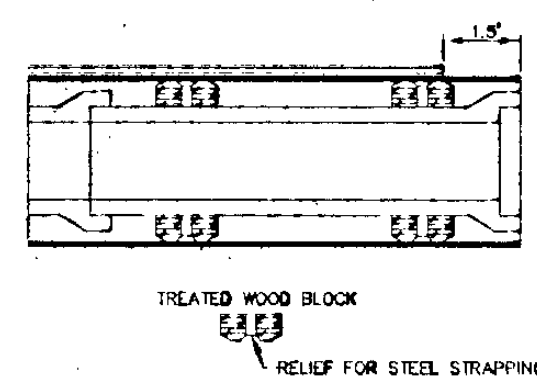
NOTES:
THIS IS THE STANDARD PIPE BEDDING APPLICATION UNLESS OTHER BEDDING IS SPECIFIED.
THE BOTTOM OF THE TRENCH SHALL BE SHAVED TO FIT THE DIAMETER OF THE PIPE FOR AT LEAST ONE OF THE OUTSIDE DIAMETER OF THE PIPE. THE REMAINDER OF THE PIPE IS TO BE SURROUNDED TO A HEIGHT OF AT LEAST 1' ABOVE ITS TOP. GRANULAR ENCASEMENT MATERIAL SHALL MEET THE REQUIREMENTS OF THE SPECIFICATIONS.

DATE: 01/28/97 CLASS C PIPE BEDDING Plate No. M-1

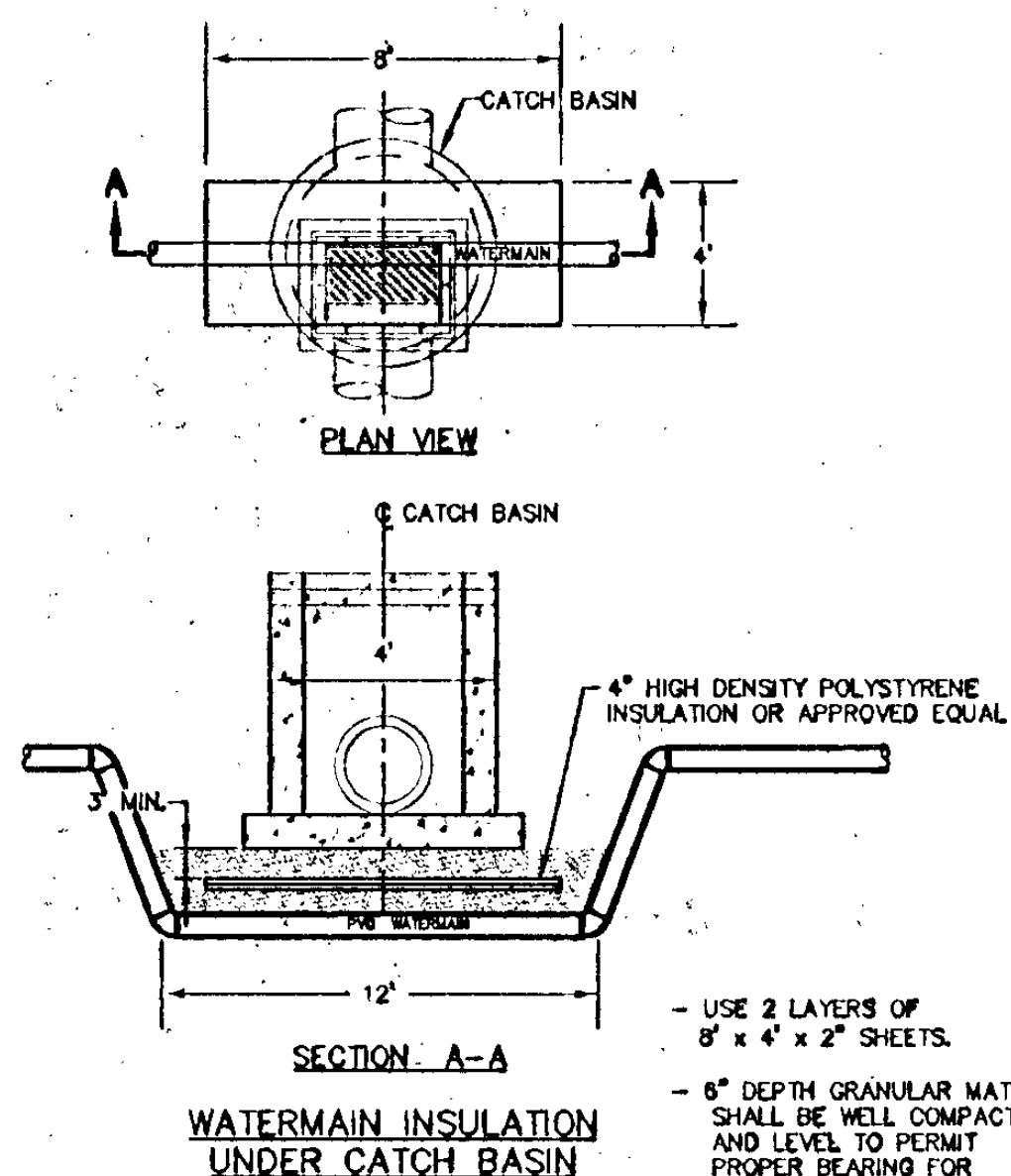
PIPE BEDDING DETAILS FOR RCP & DIP PIPE



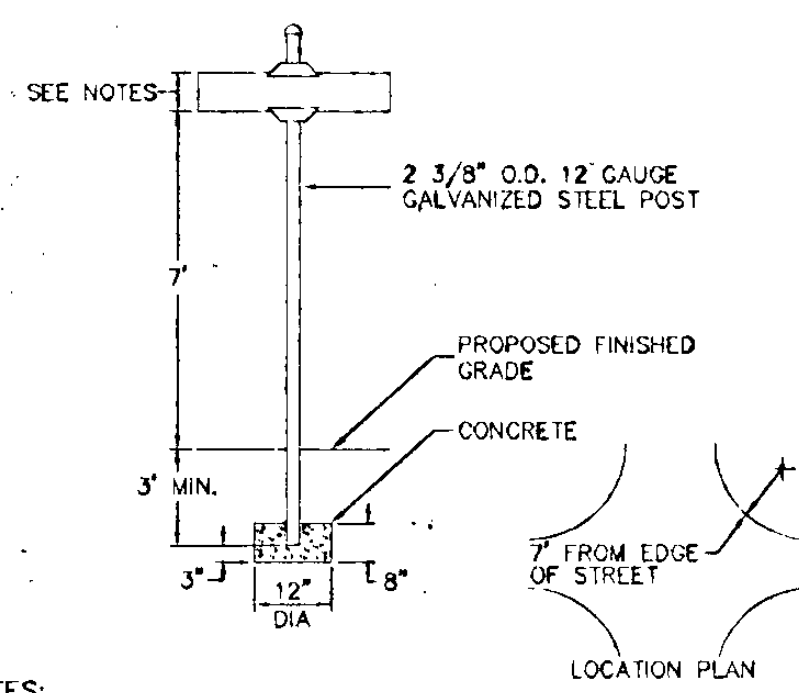
TYPICAL SODDING DETAIL FOR YARD CATCH BASIN



DATE: 01/31/97 BLOCKING DETAIL FOR STEEL CASING Plate No. M-5

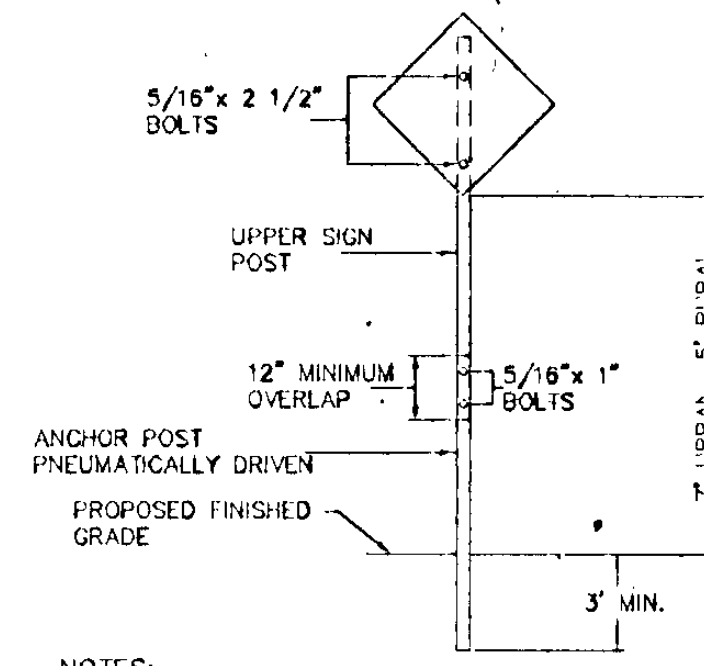


DATE: 2/10/00 WATERMAIN INSULATION UNDER CATCH BASIN Plate No. ST-7



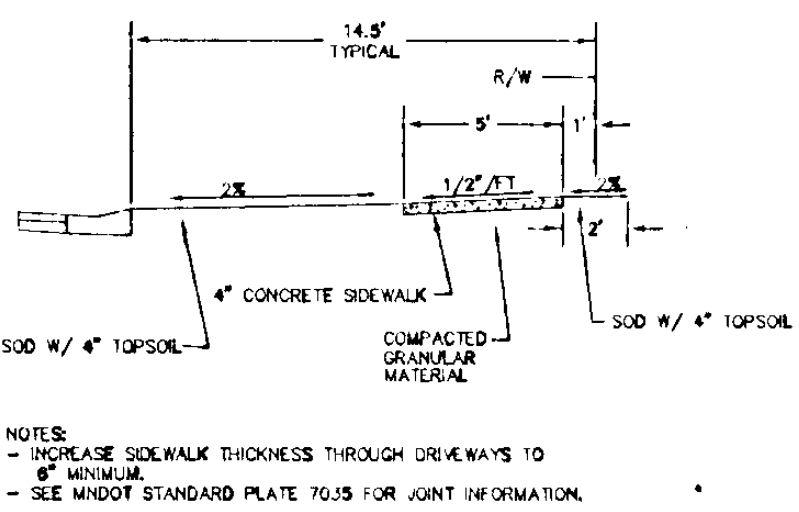
NOTES:
SIGN SIZE - DESIGN A: 6" (40MPH AND LESS)
SIGN SIZE - DESIGN B: 9" (45MPH AND GREATER)
BLADE LENGTH SHALL BE AS NECESSARY
LETTER SIZE (ALL UPPER CASE) - DESIGN A: 4" DESIGN B: 5"
HIGH INTENSITY, WHITE ON MINDOT GREEN BACKGROUND, SEE CITY SPECIFICATIONS FOR MATERIALS
STREET NAMES AND SUFFIXES SHALL BE SPELLED COMPLETELY EXCEPT FOR "NORTHEAST" WHICH SHALL BE "NE"

DATE: 02/13/97 STREET SIGN INSTALLATION Plate No. ST-1

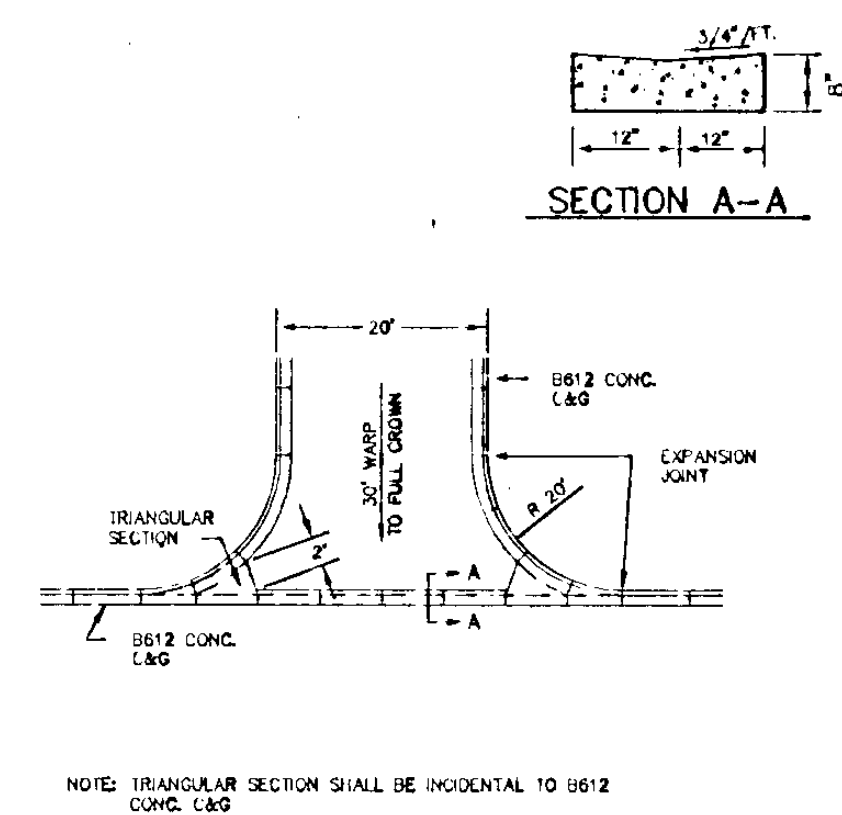


NOTES:
MATERIALS AND INSTALLATION SHALL BE IN ACCORDANCE WITH CITY SPECIFICATIONS FOR TYPE C TRAFFIC SIGNS
SIGN PANELS - REFLECTIVE SHEETING "HIGH INTENSITY"
BOLTS SHALL BE TAMPER PROOF
POSTS SHALL BE PAINTED GREEN, 3 LB/AF 7' LONG
SIGNS INSTALLED IN CONCRETE MEDIANS SHALL HAVE AN APPROVED BREAK-AWAY DEVICE
EDGE OF SIGN SHALL BE - 2' FROM FACE CURB
- 5' FROM EDGE OF SHOULDER

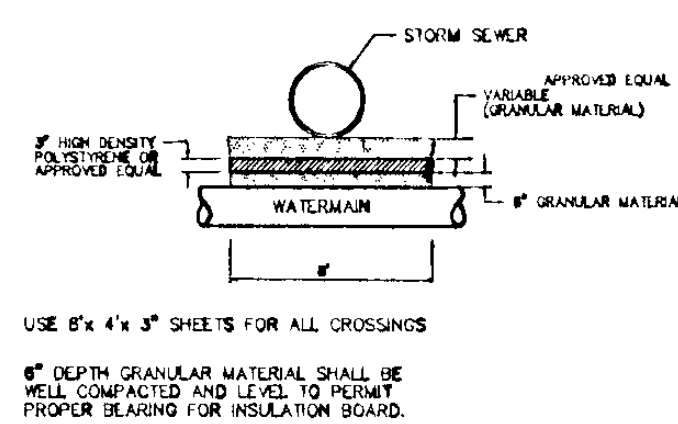
DATE: 02/13/97 TRAFFIC SIGN INSTALLATION Plate No. ST-2



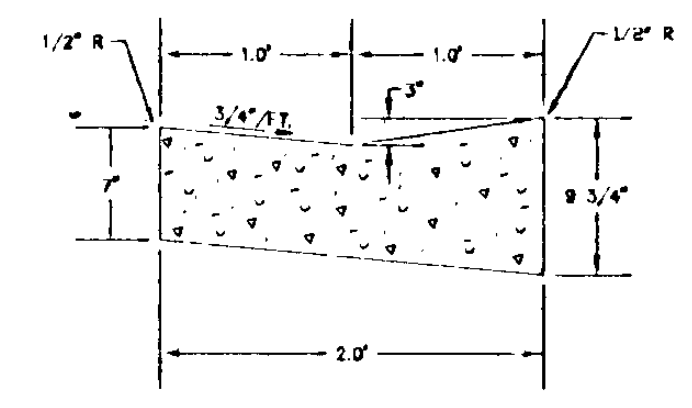
DATE: 02/13/97 TYPICAL SIDEWALK Plate No. ST-4



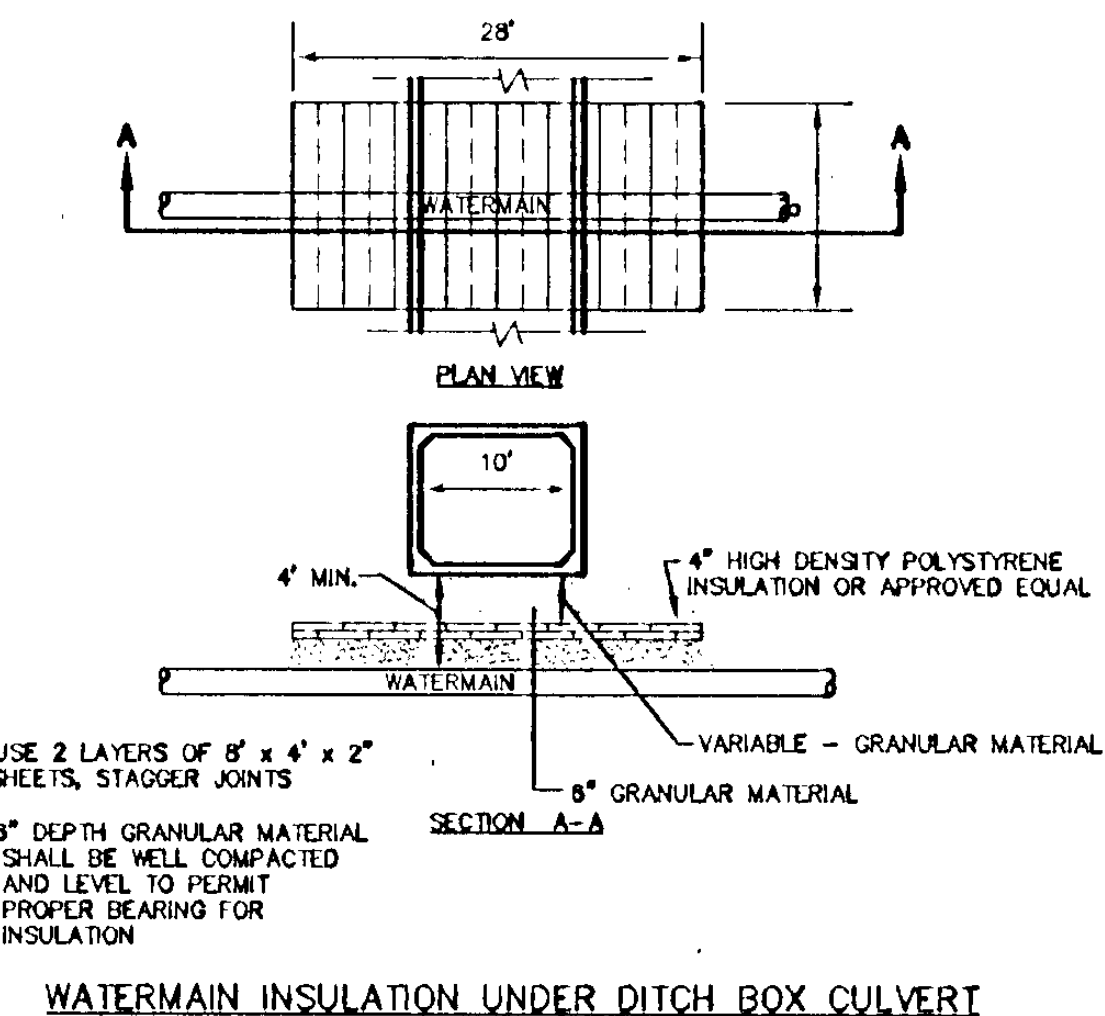
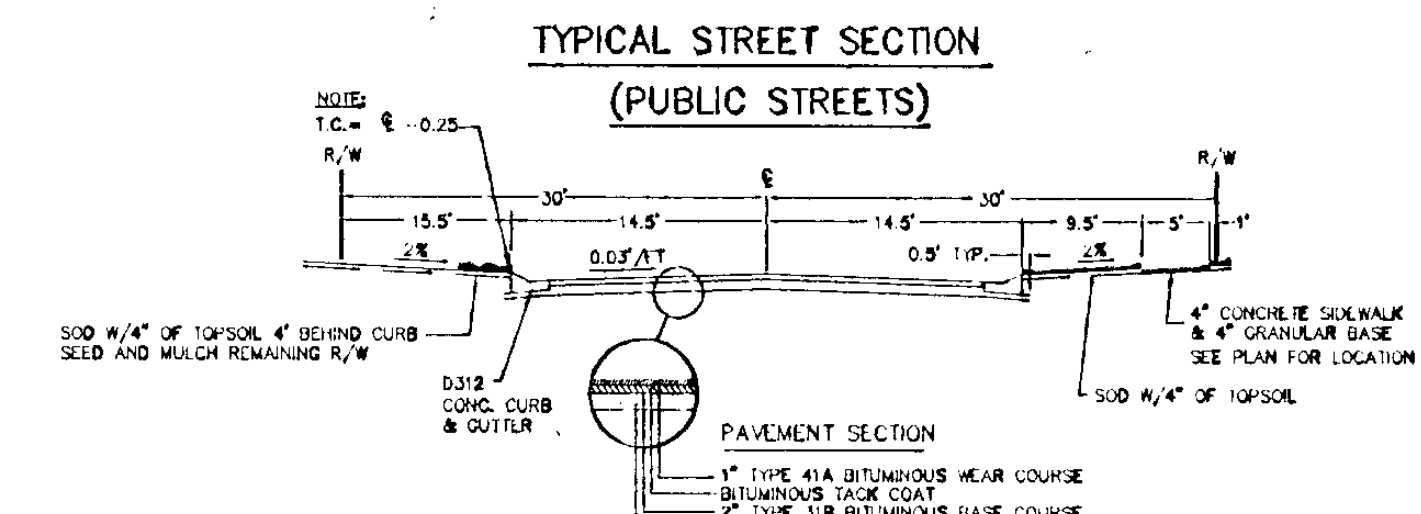
DATE: 02/13/97 CONCRETE VALLEY GUTTER DESIGN WITH B612 CURB NO SCALE Plate No. ST-5



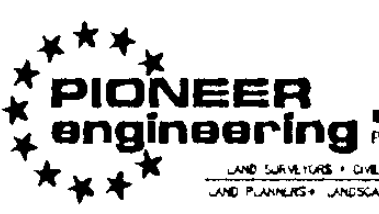
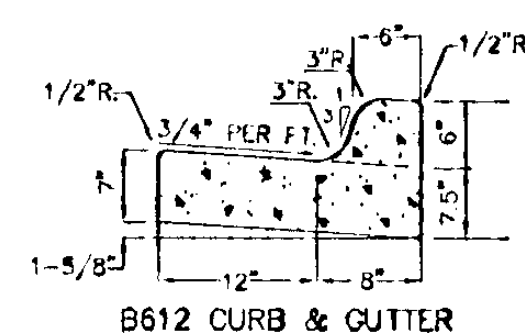
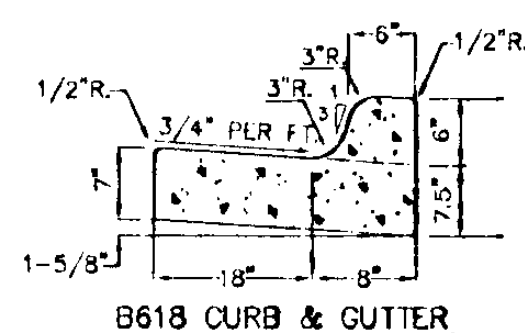
DATE: 2/10/00 WATERMAIN INSULATION Plate No. ST-6



DATE: 02/13/97 D-312 CONCRETE C&G Plate No. ST-8



DATE: 2/10/00 WATERMAIN INSULATION UNDER DITCH BOX CULVERT Plate No. ST-9



2422 Oakdale Drive
Minneapolis, MN 55412
(612) 551-1111 FAX: (612) 551-1112
C.S. PETERSON, P.E.
LICENSED PROFESSIONAL ENGINEER
(017) 785-1882 FAX: 785-1883

I hereby certify that this plan was prepared by me or under my direct supervision and that I am a duly registered Professional Engineer under the laws of the State of Minnesota.

Name: *[Signature]*
Reg. No. 25053 Date: 2/10/00

Revisions:
1. 3/15/00
2. 3/24/00
Date: 2/10/00 SHEET TITLE
Designed: BJK
Drawn: LOC

OWNER: SIENNA CORPORATION
4940 VIKING DRIVE, SUITE 603
MINNEAPOLIS, MINNESOTA 55435

PROJECT: TPC 9TH ADDITION - PHASE 2

SHEET 23 OF 23 SHEETS

L:\proj\017420 - TPC of Blaine\tpc-9th-ph2\p2\17420.dwg 03/16/00 09:27:21 AM CST