

CONSTRUCTION PLAN FOR BRIDGE DECK REPAIR

BRIDGE NO. 02501

C.S.A.H. 24 OVER RUM RIVER AT ST. FRANCIS.

BRIDGE NO. 02521

C.S.A.H. 3 (COON RAPIDS BLVD. BY-PASS) OVER BURLINGTON NORTHERN P.R. IN COON RAPIDS.

BRIDGE NO. 02522

C.S.A.H. 3 (COON RAPIDS BLVD. BY-PASS) OVER EAST RIVER ROAD N.B. (C.S.A.H. 1) IN COON RAPIDS.

BRIDGE NO. 02523

C.S.A.H. 2 OVER YARD TRACKS AT NORTH TOWN.

INDEX

SHT NO.	TITLE
1	TITLE SHEET
2	BR. NO. 02501 GENERAL PLAN # ELEV.
3	BR. NO. 02521 GENERAL PLAN # ELEV.
4	BR. NO. 02522 GENERAL PLAN # ELEV.
5	BR. NO. 02523 GENERAL PLAN # ELEV.
6	RECONSTRUCT EXP. JTS. TYPE 1
7	RECONSTRUCT EXP. JTS. TYPE 2
8	APPROACH OVERLAY # TAPER DETAILS
8	RECONSTRUCT EXP. JTS. TYPE 3
9	DRAIN DETAILS
9	WATERPROOF EXPANSION DEVICE
10	TRAFFIC CONTROL DETAILS

SCHEDULE OF QUANTITIES

ITEM NO.	ITEM	UNIT	BRIDGE NO.				TOTAL
			02501	02521	02522	02523	
2021.501	MOBILIZATION	LUMP SUM	1				1
2101.501	CONCRETE, MIX NO. SPECIAL	CU. YD.	83	162	157	376	778
0101.604	WEARING COURSE FINISH	SQ. FT.	11720 (P)	22800 (P)	21780 (P)	53834 (P)	110134 (P)
2102.591	EXPANSION JT. DEVICES TYPE 2.5'	LIN. FT.	60			88	148 (P)
2133.505	REMOVE SLAB TYPE 1	SQ. FT.	300	150	150	400	1000
0433.601	SCARIFY BRIDGE DECK	SQ. FT.	11720 (P)	22800 (P)	21780 (P)	53834 (P)	110134 (P)
0433.601	SCARIFY BITUM. APPROACH	SQ. FT.	1750	7200	7250	4400	20600
0433.601	RECONSTRUCT EXP. JT. TYPE 1	LIN. FT.	60			88	148 (P)
0433.601	RECONSTRUCT EXP. JT. TYPE 2	LIN. FT.		173	266		439 (P)
0433.601	RECONSTRUCT EXP. JT. TYPE 3	LIN. FT.				88	88 (P)
2361.504	ASPHALT CEMENT	TON	2	9	9	6	26
2361.508	WEARING COURSE MIXTURE	TON	25	105	105	65	300
0563.604	TEMPORARY LANE MARKING	LIN. FT.				7500	7500
2102.501	PAVEMENT MARKING REMOVAL	SQ. FT.				2000	2000
0564.626	TRAFFIC CONTROLS	LUMP SUM	1				1
0563.623	TRAFFIC CONTROL	LUMP SUM	1				1

CONSTRUCTION NOTES:

THE MINNESOTA DEPARTMENT OF TRANSPORTATION "STANDARD SPECIFICATIONS FOR HIGHWAY CONSTRUCTION" 1978 EDITION SHALL GOVERN.

NO REMOVAL WILL BE PERMITTED UNTIL THE REMOVAL LIMITS HAVE BEEN OUTLINED BY THE CONTRACTOR AND APPROVED BY THE ENGINEER. REMOVAL AND RECONSTRUCTION SHALL CONFORM TO SPEC. 2433.

PROVIDE SAW CUT IN CONCRETE WEARING COURSE OVER ALL CONSTRUCTION JOINTS IN EXISTING SLAB AND APPROACH PANELS. SEAL WITH CONCRETE JOINT SEALER PER SPEC. 3123.

THE CONTRACTOR SHALL MAKE FIELD MEASUREMENTS AS NECESSARY, PRIOR TO FABRICATION OF THE EXPANSION JOINT DEVICES AND CURB OR RAIL PLATES, TO ASSURE PROPER FIT IN THE FINAL WORK.

APPROVED _____ DATE _____
COUNTY ENGINEER

I HEREBY CERTIFY THAT THIS PLAN WAS PREPARED BY ME OR UNDER MY DIRECT SUPERVISION AND THAT I AM A DULY REGISTERED PROFESSIONAL ENGINEER UNDER THE LAWS OF THE STATE OF MINNESOTA.
Robert R. Linn
DATE 4.5.17 REG. NO. 4311 ENGINEER

PLANS PREPARED BY
ERICKSON ENGINEERING CO.
3340 REPUBLIC AVE.
ST. LOUIS PARK, MINNESOTA 55426

TITLE SHEET	DES: _____	DR: R.H.	APPROVED: _____	BRIDGE NO. 02501
	CHK: _____	CHK: _____		02521
	SHEET NO. 1 OF 10 SHEETS			02522
				02523

CONSTRUCTION PLAN FOR BRIDGE DECK REPAIR

BRIDGE NO. 02501
C.S.A.H. 24 OVER RUM RIVER AT
ST. FRANCIS.

BRIDGE NO. 02521 C.S.A.H. 3 (COON RAPIDS BLVD. BY-PASS) OVER BURLINGTON NORTHERN R.F. IN COON RAPIDS.
BRIDGE NO. 02522 C.S.A.H. 3 (COON RAPIDS BLVD. BY-PASS) OVER EAST RIVER ROAD N.B. (C.S.A.H. 1) IN COON RAPIDS.
BRIDGE NO. 02523 C.S.A.H. 2 OVER YARD TRACKS AT NORTH TOWN.

SHT NO.	TITLE SHEET
2	BR. NO. 02501 GENERAL PLAN # ELEV.
3	BR. NO. 02521 GENERAL PLAN # ELEV.
4	BR. NO. 02522 GENERAL PLAN # ELEV.
5	BR. NO. 02523 GENERAL PLAN # ELEV.
6	RECONSTRUCT EXP. JTS. TYPE 1
7	RECONSTRUCT EXP. JTS. TYPE 2
8	APPROACH OVERLAY # TAPER DETAILS
9	RECONSTRUCT EXP. JTS. TYPE 3
10	DRAIN DETAILS
11	WATERPROOF EXPANSION DEVICE
12	TRAFFIC CONTROL DETAILS

SCHEDULE OF QUANTITIES		BRIDGE NO.					TOTAL
ITEM NO.	ITEM	UNIT	02501	02521	02522	02523	
2021.501	MOBILIZATION	LUMP SUM	1				1
2401.501	CONCRETE, MIX NO. SPECIAL	CU. YD.	83	162	157	376	778
0401.604	WEARING COURSE FINISH	SQ. FT.	11720 (P)	22800 (P)	21780 (P)	53834 (P)	110134 (P)
2402.591	EXPANSION JT. DEVICES TYPE 2.5	LIN. FT.	60			88	148 (P)
2433.505	REMOVE SLAB TYPE 1	SQ. FT.	300	150	150	400	1000
0433.601	SCARIFY BRIDGE DECK	SQ. FT.	11720 (P)	22800 (P)	21780 (P)	53834 (P)	110134 (P)
0433.601	SCARIFY BITUM. APPROACH	SQ. FT.	1750	1200	1250	4400	20600
0433.607	RECONSTRUCT EXP. JT. TYPE 1	LIN. FT.	60			88	148 (P)
0433.607	RECONSTRUCT EXP. JT. TYPE 2	LIN. FT.		173	266		439 (P)
0433.607	RECONSTRUCT EXP. JT. TYPE 3	LIN. FT.				88	88 (P)
2361.504	ASPHALT CEMENT	TON	2	9	9	6	26
2361.508	WEARING COURSE MIXTURE	TON	25	105	105	65	300
0563.604	TEMPORARY LANE MARKING	LIN. FT.				7500	7500
2102.501	PAVEMENT MARKING REMOVAL	SQ. FT.				2000	2000
0564.626	TRAFFIC CONTROLS	LUMP SUM	1				1
0563.623	TRAFFIC CONTROL	LUMP SUM	1				1

CONSTRUCTION NOTES:

THE MINNESOTA DEPARTMENT OF TRANSPORTATION "STANDARD SPECIFICATIONS FOR HIGHWAY CONSTRUCTION" 1978 EDITION SHALL GOVERN.

NO REMOVAL WILL BE PERMITTED UNTIL THE REMOVAL LIMITS HAVE BEEN OUTLINED BY THE CONTRACTOR AND APPROVED BY THE ENGINEER. REMOVAL AND RECONSTRUCTION SHALL CONFORM TO SPEC. 2433.

PROVIDE SAW CUT IN CONCRETE WEARING COURSE OVER ALL CONSTRUCTION JOINTS IN EXISTING SLAB AND APPROACH PANELS. SEAL WITH CONCRETE JOINT SEALER PER SPEC. 3123.

THE CONTRACTOR SHALL MAKE FIELD MEASUREMENTS AS NECESSARY, PRIOR TO FABRICATION OF THE EXPANSION JOINT DEVICES AND CURB OR RAIL PLATES, TO ASSURE PROPER FIT IN THE FINAL WORK.

NOTE

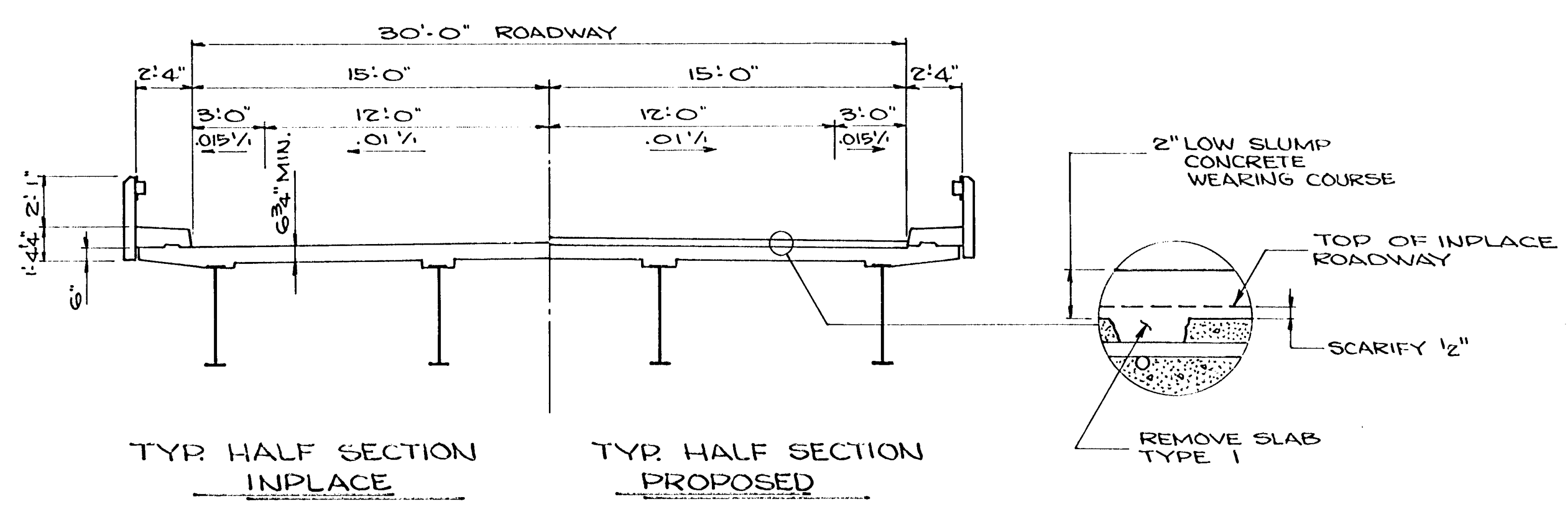
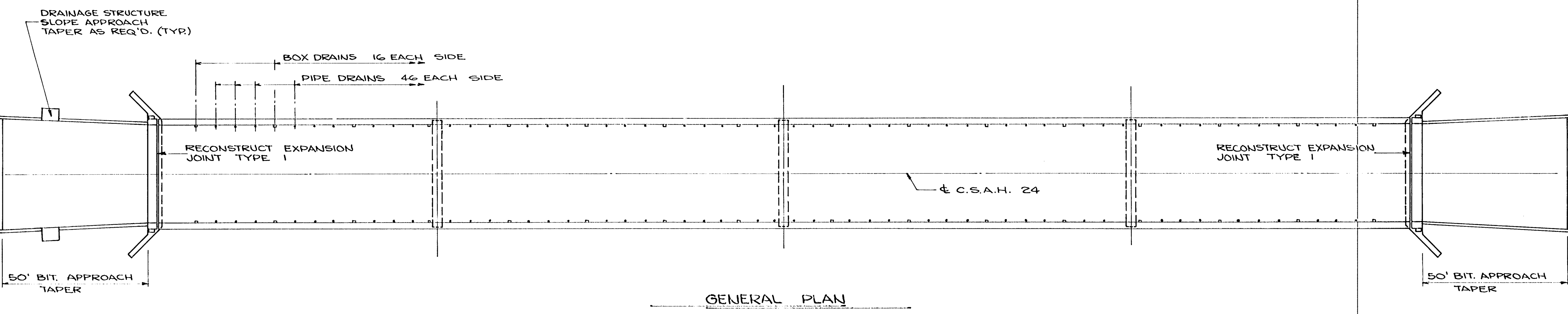
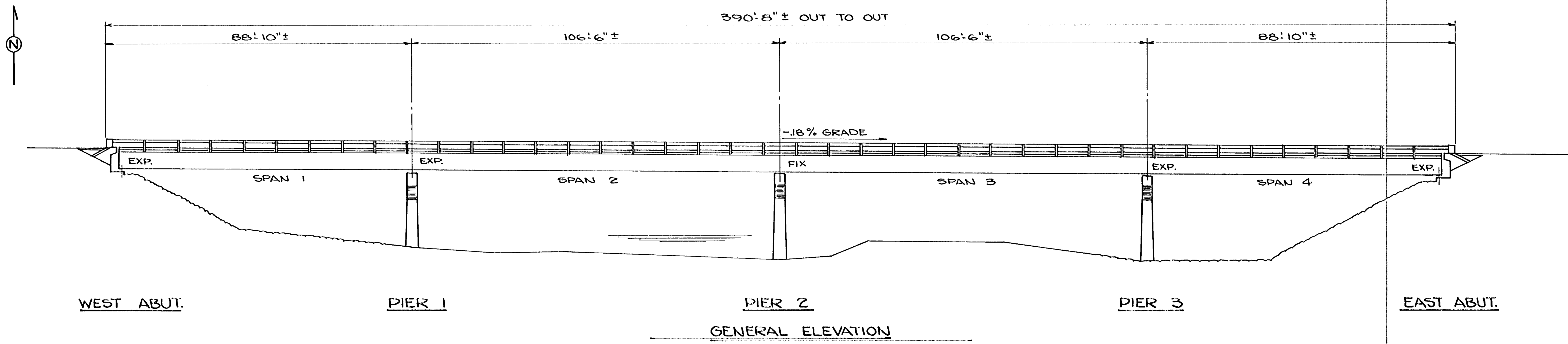
CONTRACT A IS FOR BRIDGE NO. 02501 ONLY.

APPROVED *Lawrence K. Lund* 4-13-79
COUNTY ENGINEER DATE

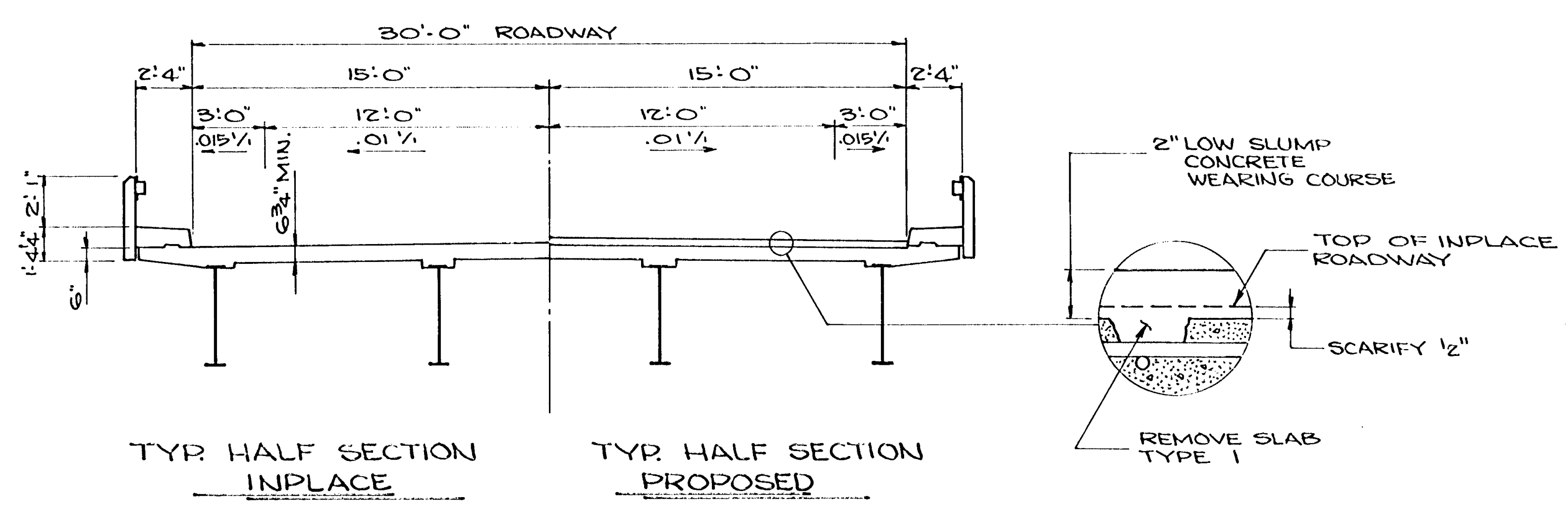
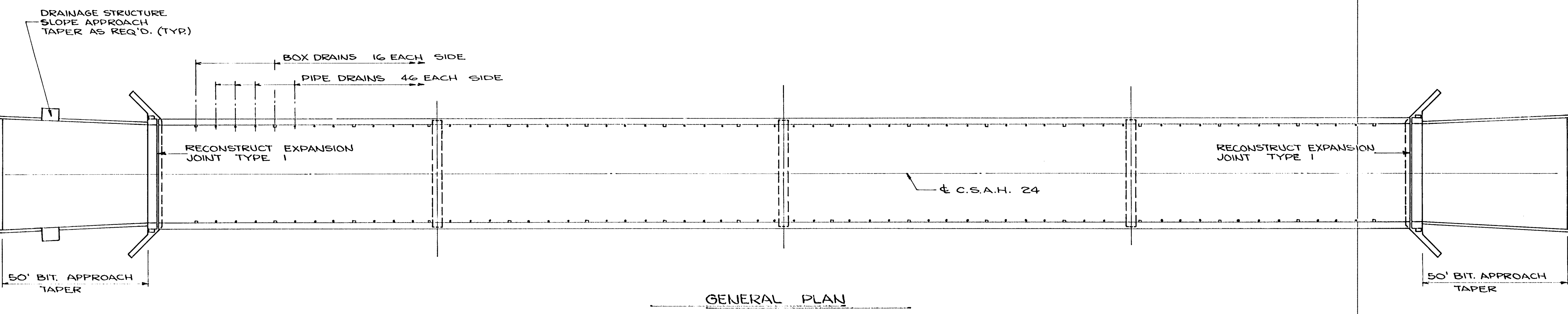
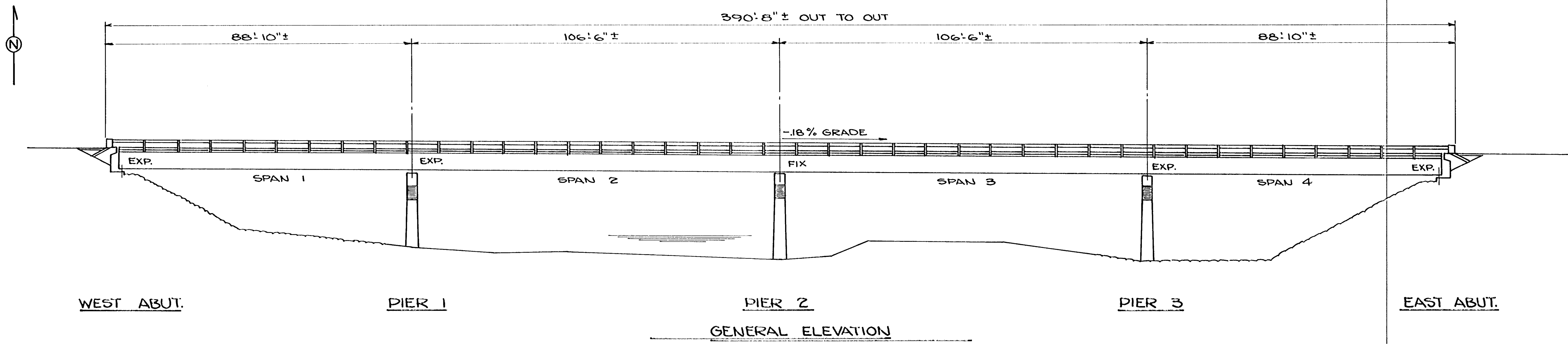
I HEREBY CERTIFY THAT THIS PLAN WAS PREPARED BY ME OR UNDER MY DIRECT SUPERVISION AND THAT I AM A DULY REGISTERED PROFESSIONAL ENGINEER UNDER THE LAWS OF THE STATE OF MINNESOTA.
4-13-79 6924 *Lawrence K. Lund*
DATE REG. NO. ENGINEER

PLANS PREPARED BY
ERICKSON ENGINEERING CO.
3340 REPUBLIC AVE.
ST. LOUIS PARK, MINNESOTA 55426

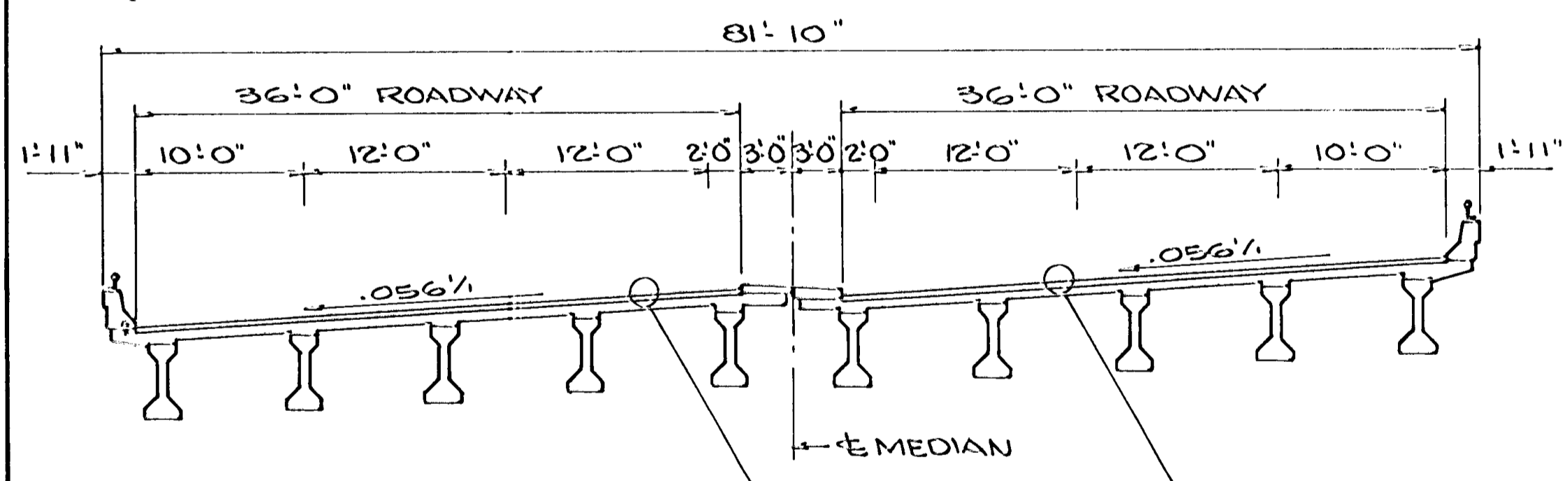
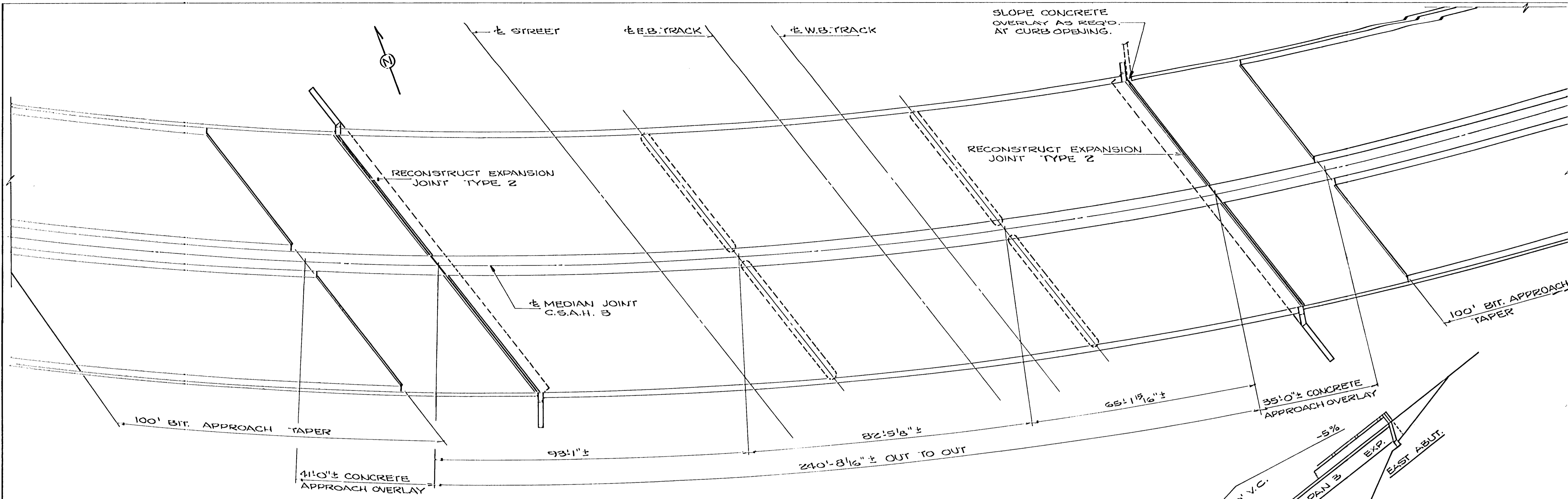
TITLE SHEET CONTRACT A BRIDGE NO. 02501	DES: / CHK: /	DR: R.H. CHK: /	APPROVED: /	BRIDGE NO. 02501 02521 02522 02523
SHEET NO. 1 of 11 SHEETS				



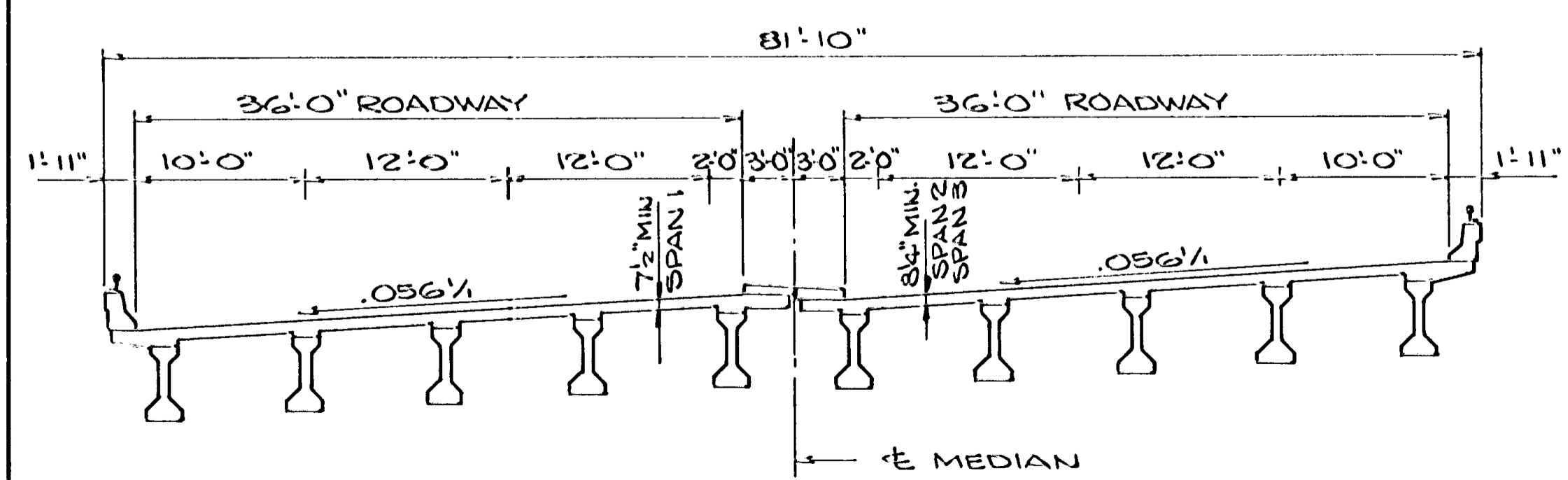
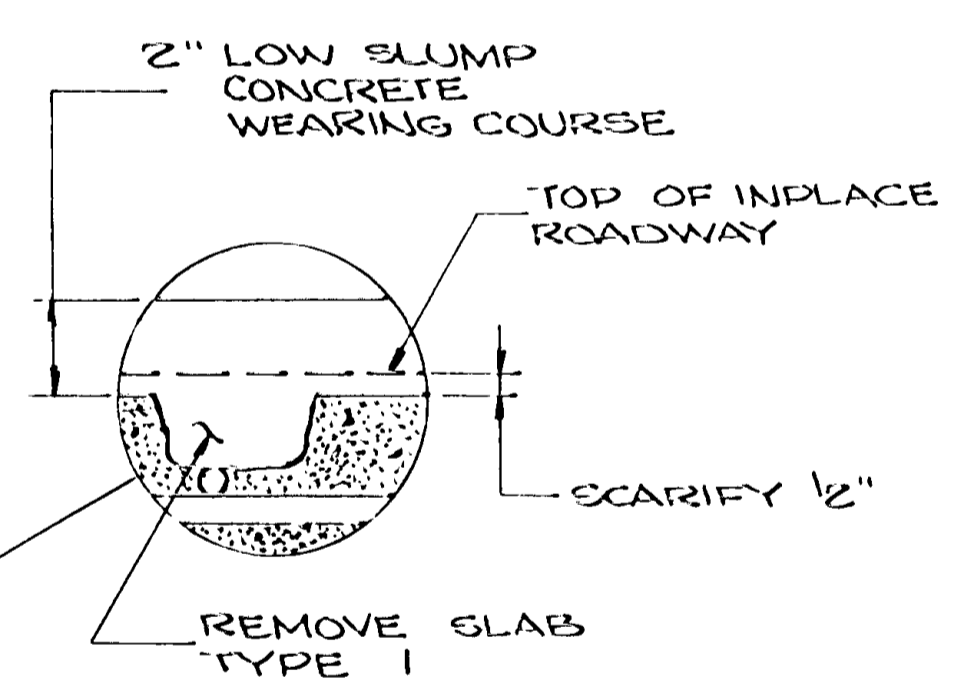
GENERAL PLAN & ELEVATION C.S.A.H. 24 OVER RUM RIVER AT ST. FRANCIS, ST. FRANCIS TWP.		DES:	DR. R.H.	APPROVED:	BRIDGE NO. 02501
		CHK:	CHK:		
		SHEET NO. 2		of 10 SHEETS	



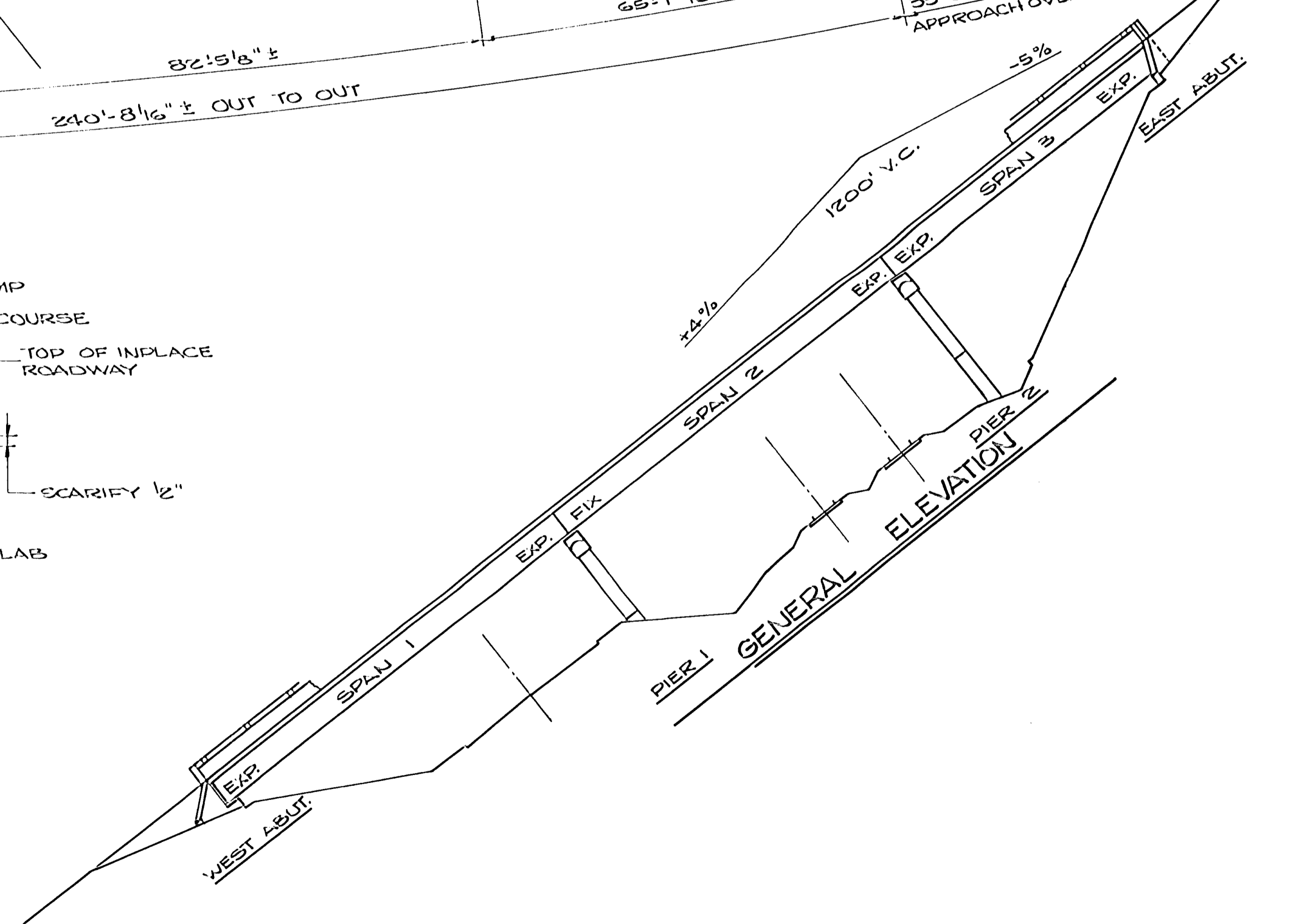
GENERAL PLAN & ELEVATION		DES:	DR. R.H.	APPROVED:	BRIDGE NO.
C.S.A.H. 24 OVER RUM RIVER AT ST. FRANCIS, ST. FRANCIS TWP.		CHK:	CHK:		02501
		SHEET NO. 2 of 10 SHEETS			



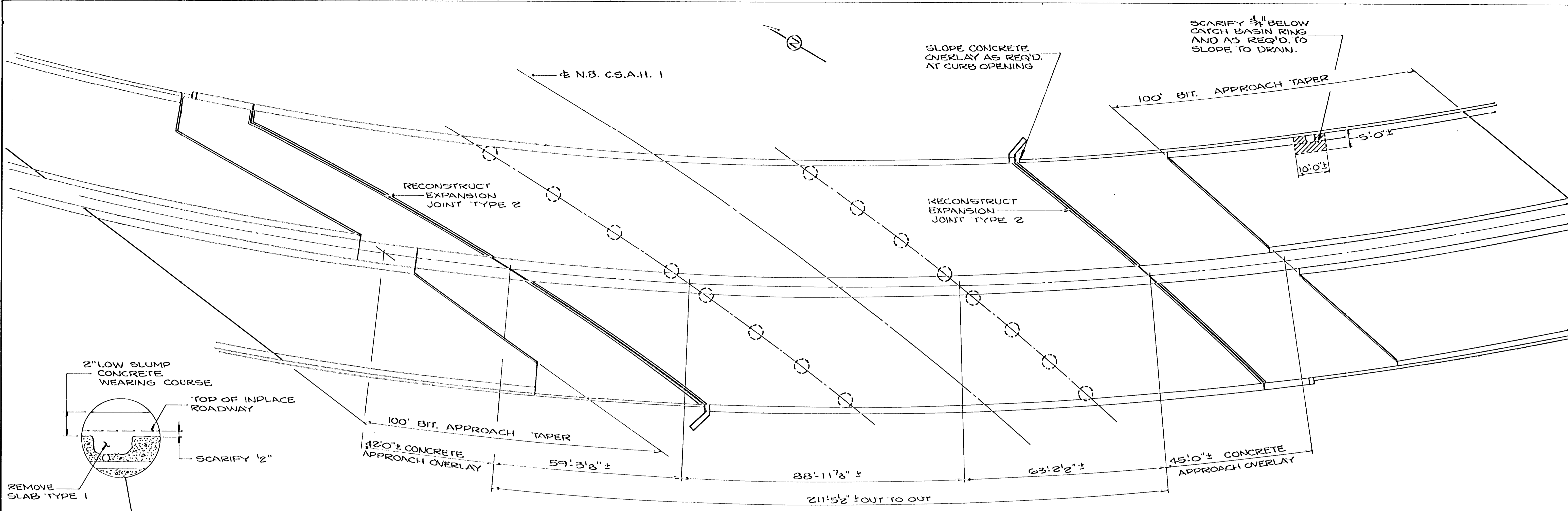
TYPICAL SECTION PROPOSED



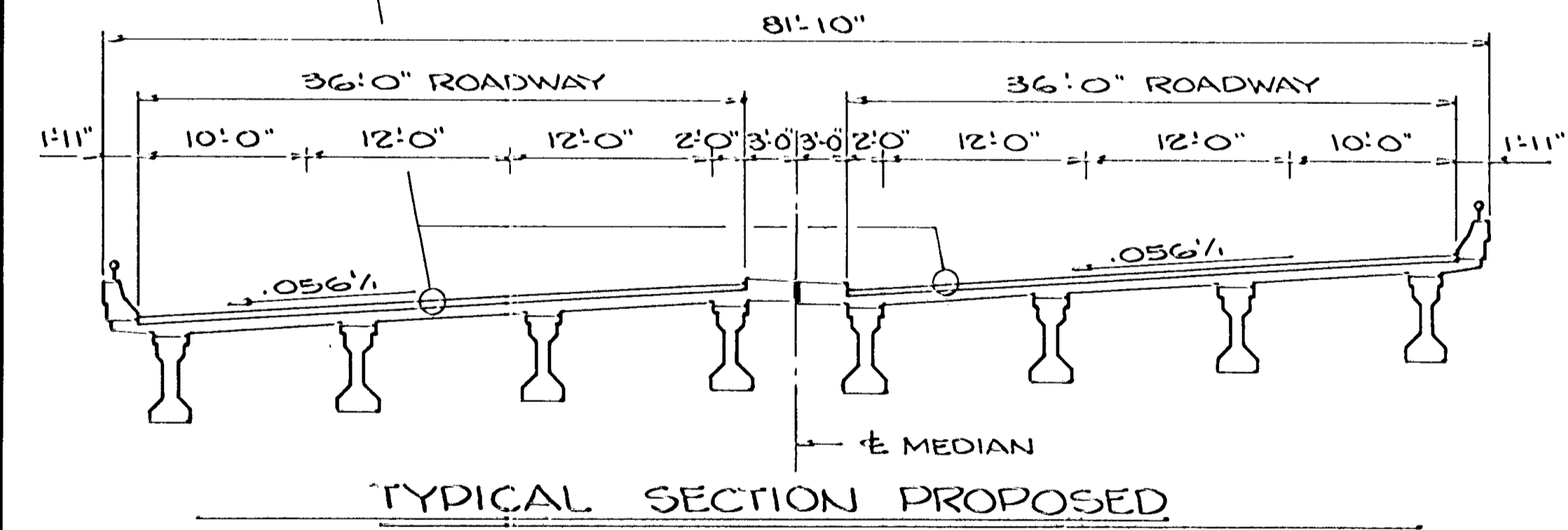
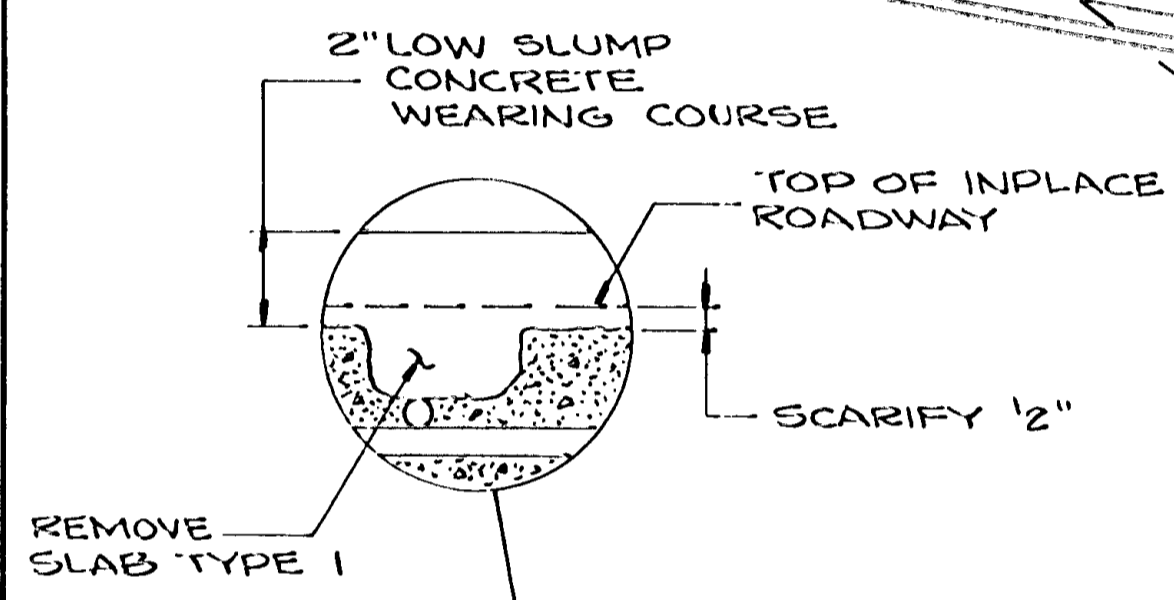
TYPICAL SECTION IN PLACE



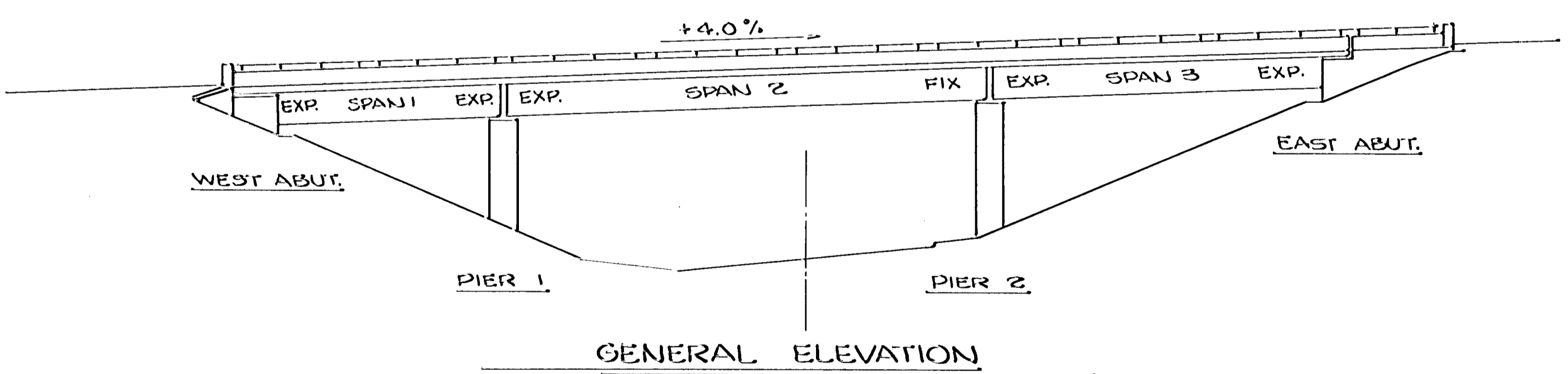
GENERAL PLAN & ELEVATION C.S.A.H. 3 (COON RAPIDS BLVD. BY-PASS) OVER BURLINGTON NORTHERN R.R. IN COON RAPIDS		DES: _____ CHK: _____	DR: R.H. CHK: _____	APPROVED _____	BRIDGE NO. 02521
SHEET NO. 3 of 10 SHEETS					



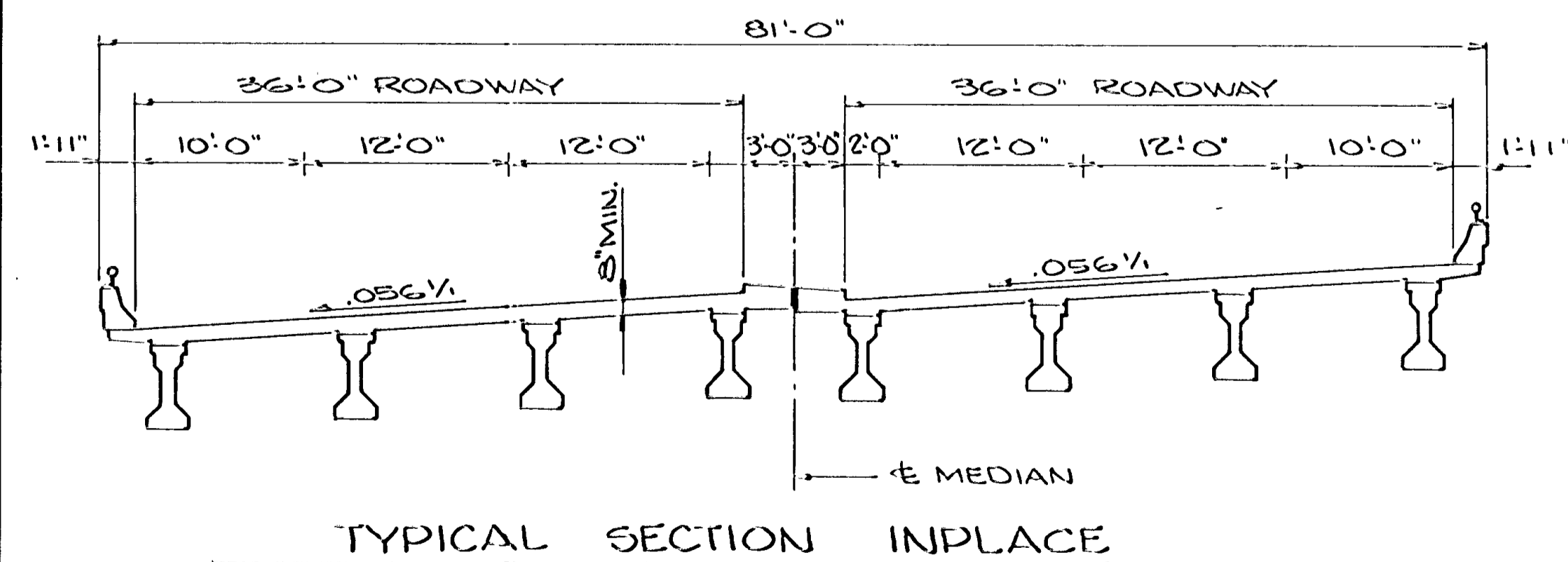
GENERAL PLAN



TYPICAL SECTION PROPOSED

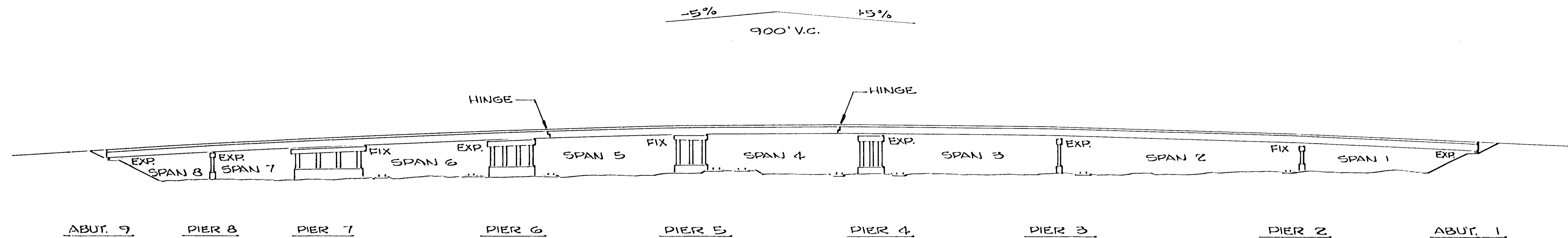


GENERAL ELEVATION

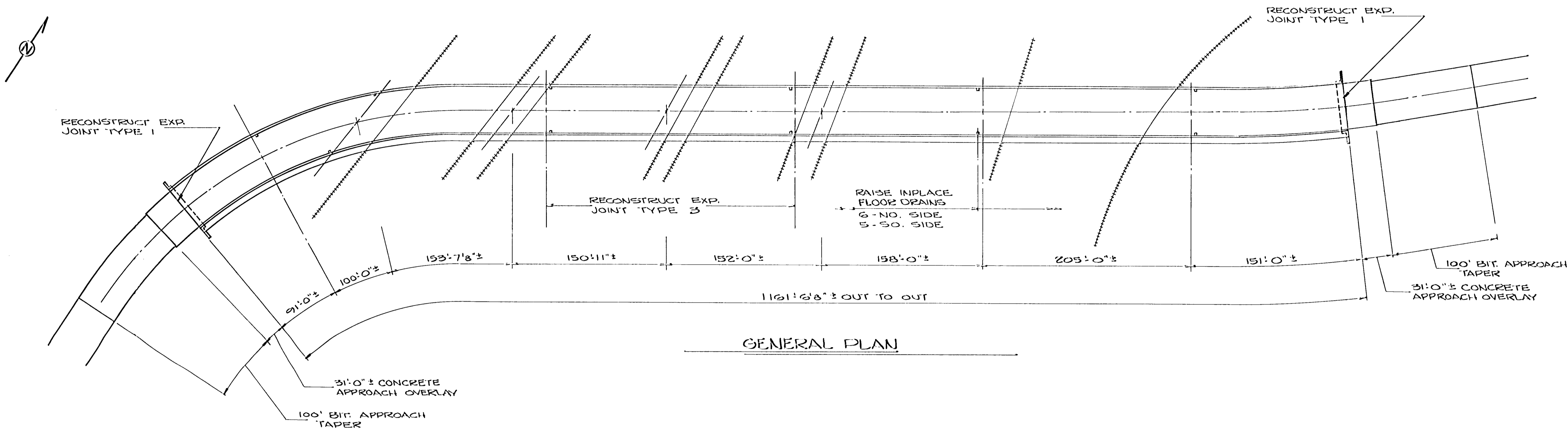


TYPICAL SECTION INPLACE

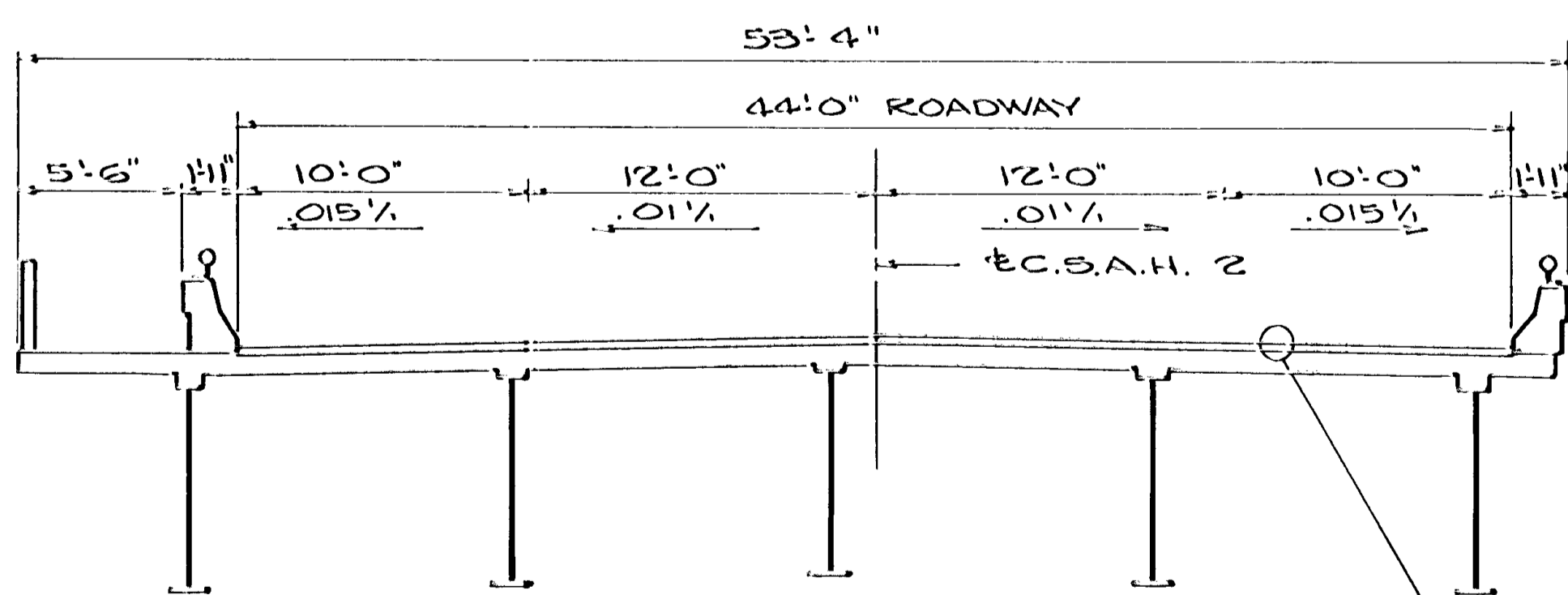
GENERAL PLAN & ELEVATION		DES:	DR: R.H.	APPROVED:	BRIDGE NO. 02522
C.S.A.H. 3 (COON RAPIDS BLVD. BY-PASS) OVER EAST RIVER RD. N.B. (C.S.A.H. 1) IN COON RAPIDS.		CHK:	CHK.		
SHEET NO. 4 of 10 SHEETS					



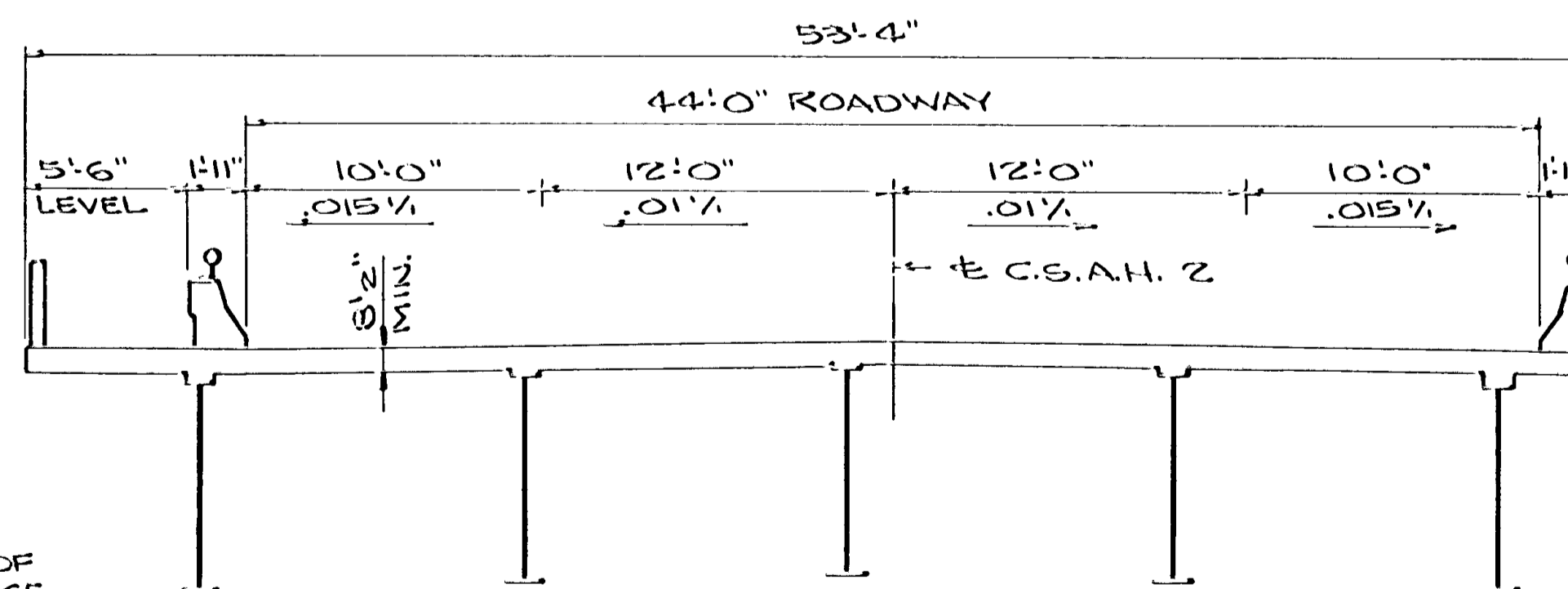
GENERAL ELEVATION



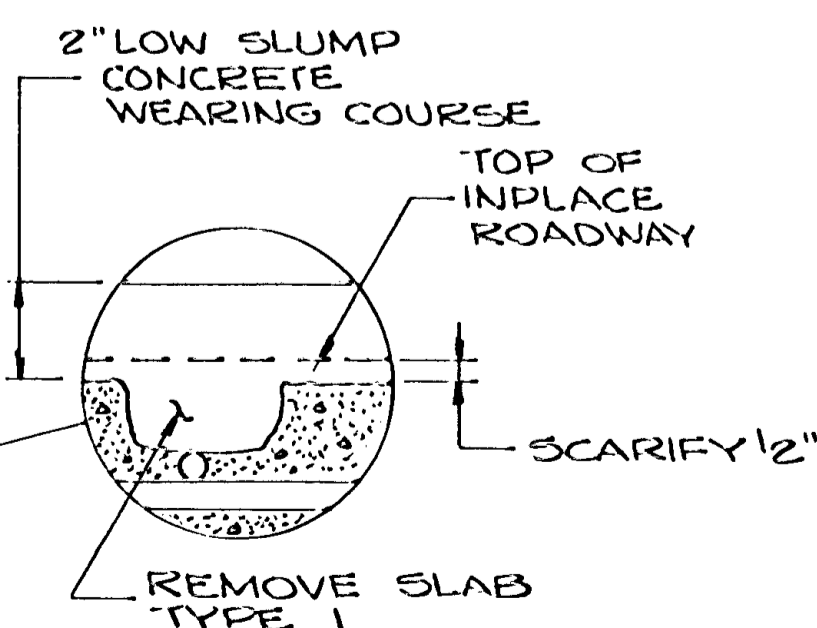
GENERAL PLAN



TYPICAL SECTION PROPOSED



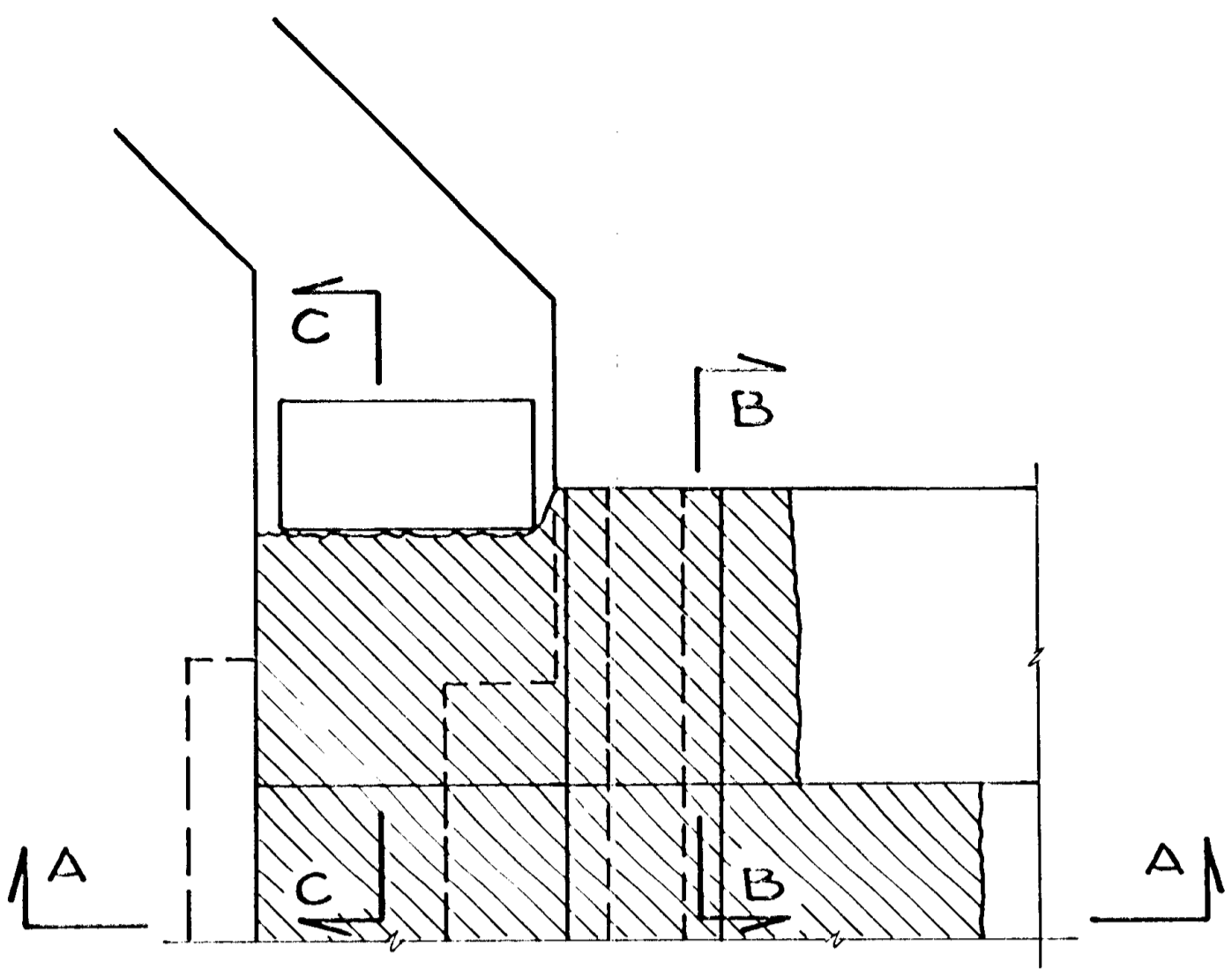
TYPICAL SECTION INPLACE



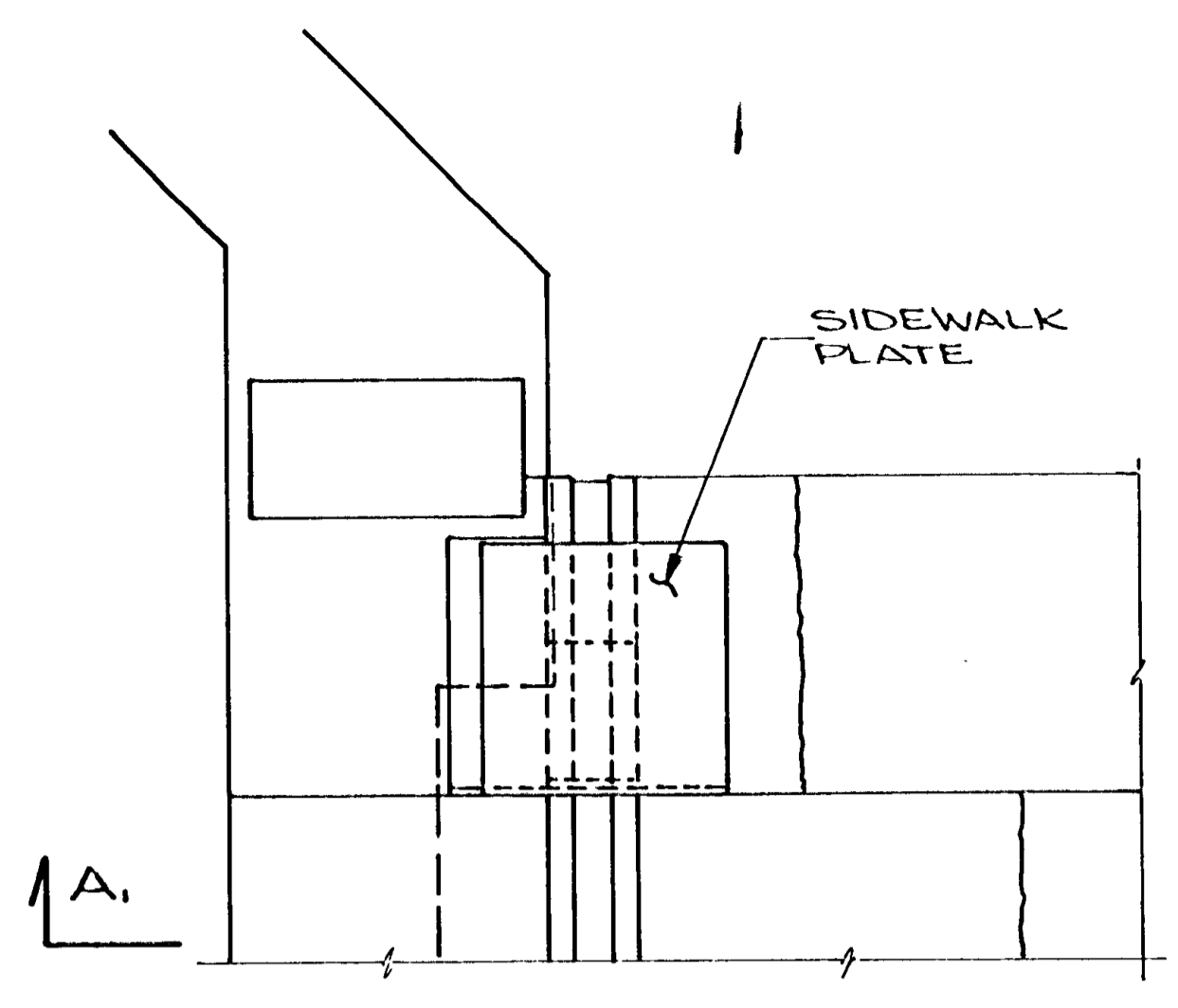
GENERAL PLAN & ELEVATION
C.S.A.H. 2 OVER YARD TRACKS
AT NORTHTOWN

DES:	DR: R.H.	APPROVED:
CHK:	CHK:	
SHEET NO. 5 of 10 SHEETS		

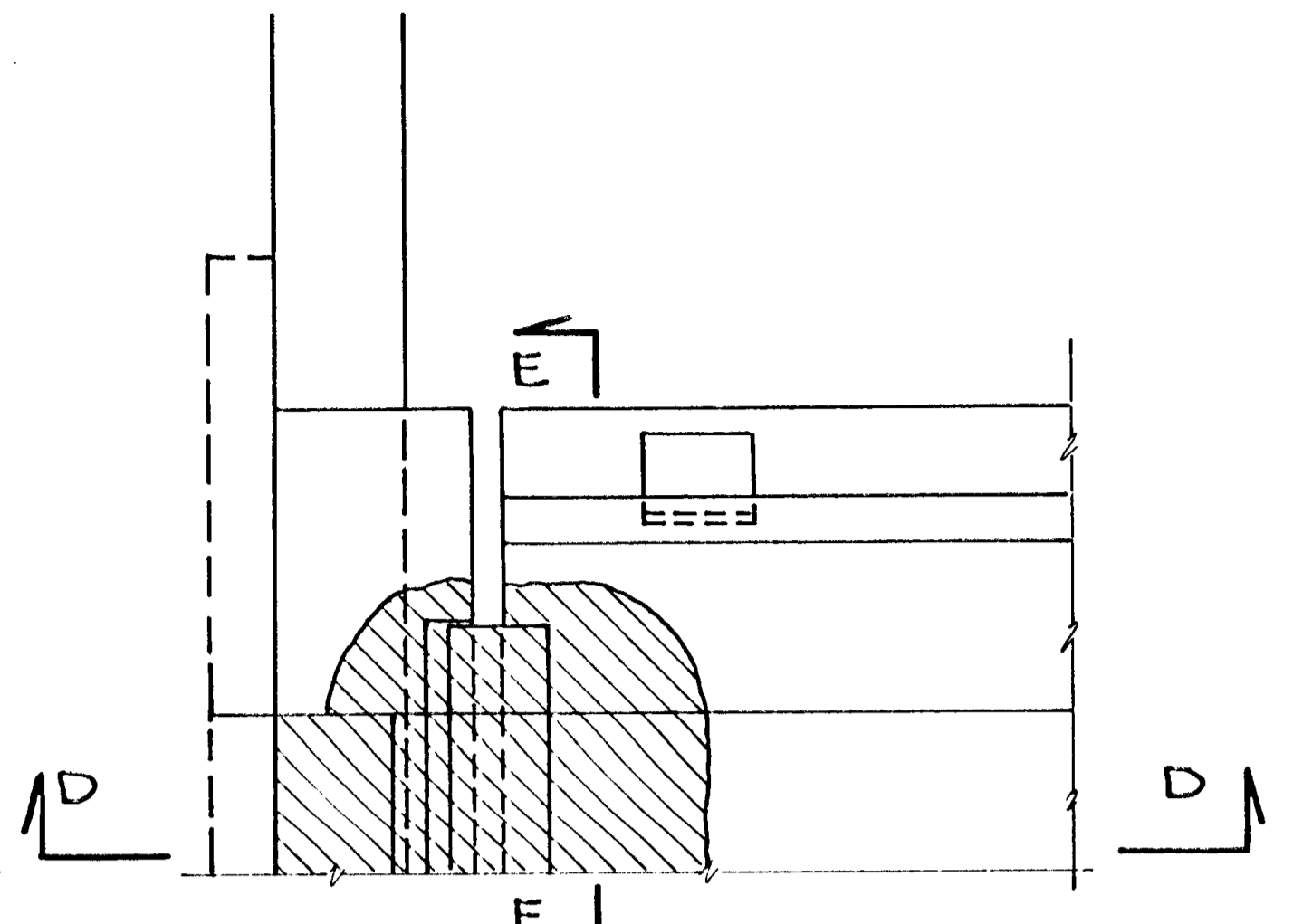
BRIDGE NO.
02523



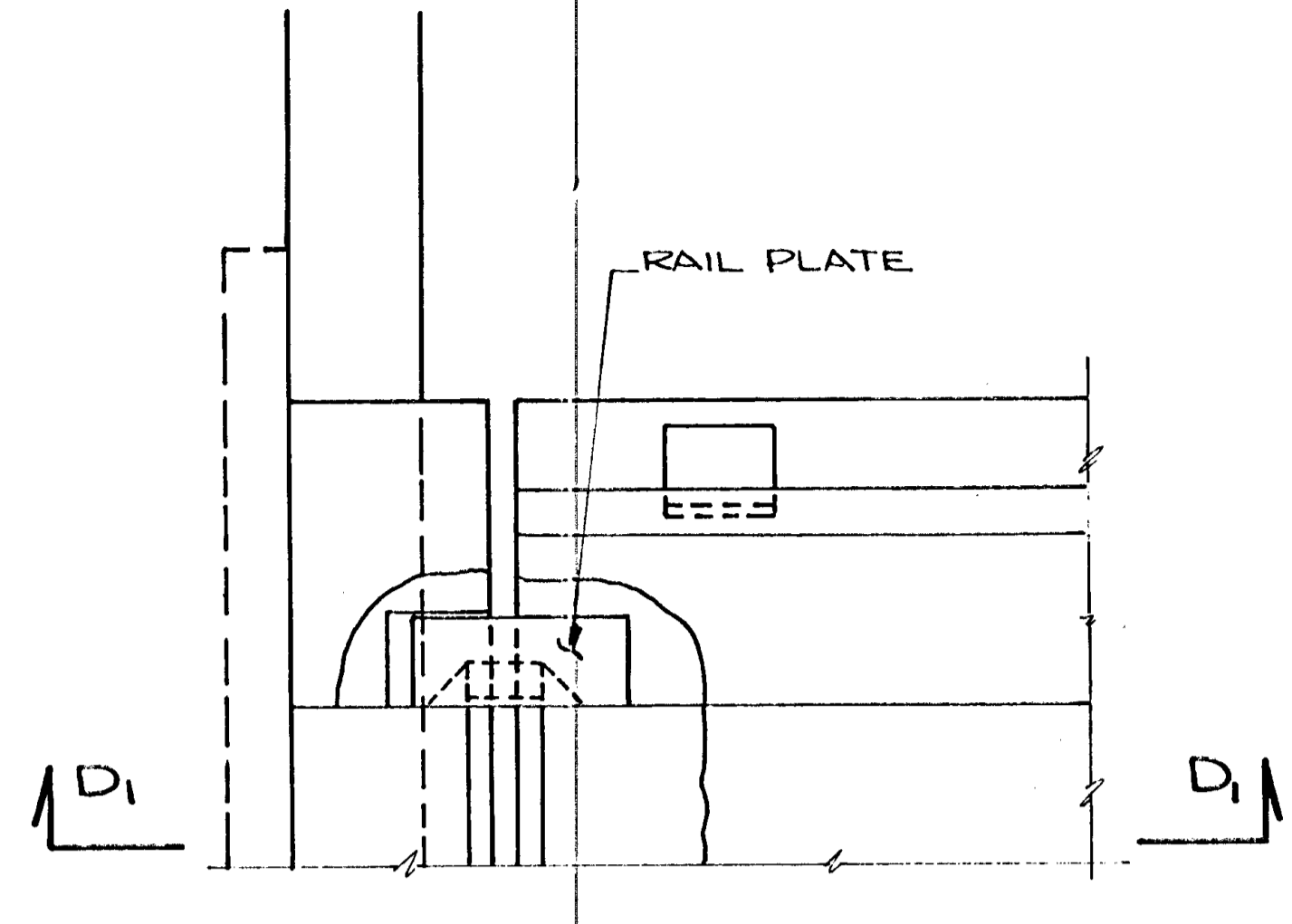
PLAN VIEW - IN-PLACE



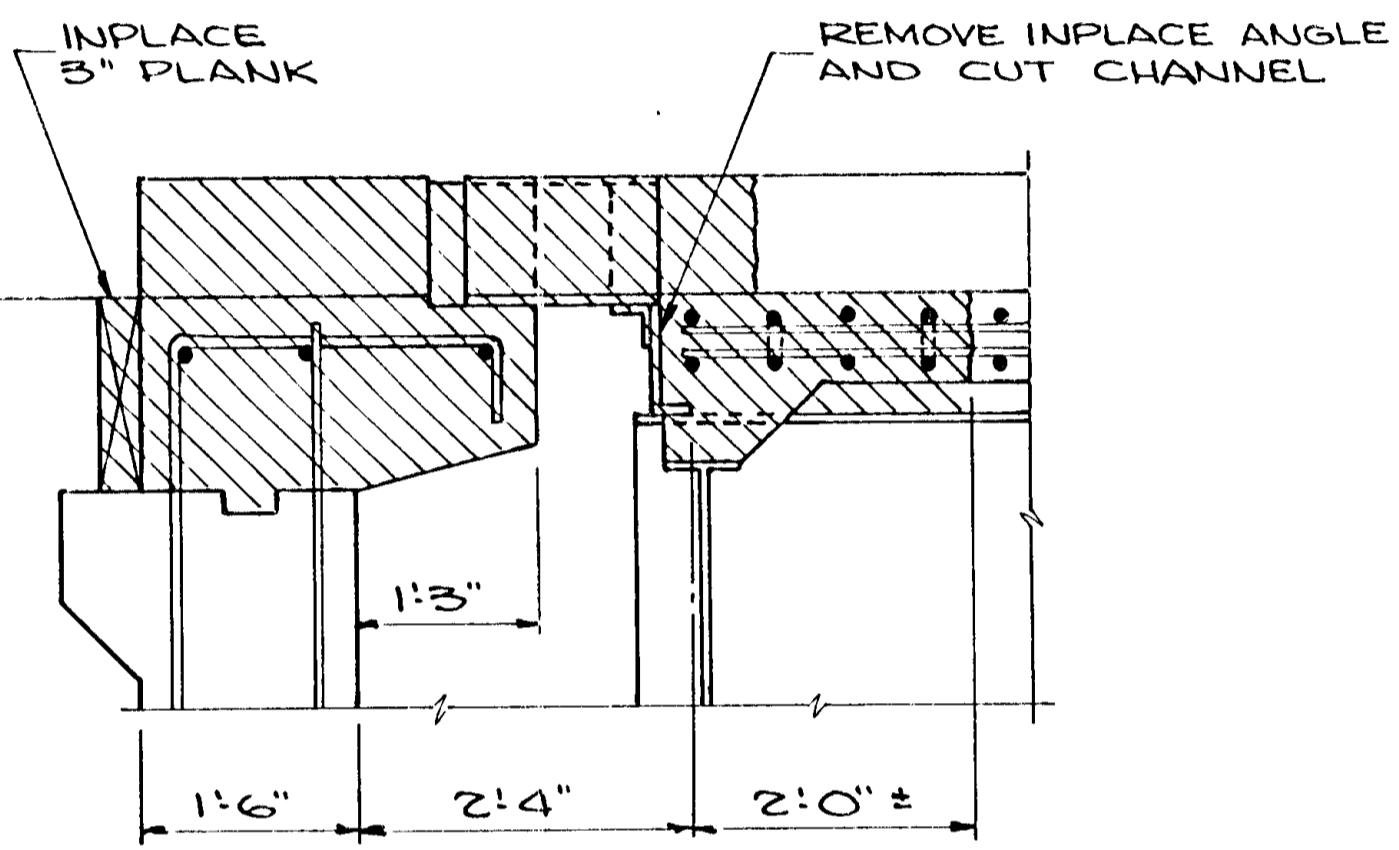
PLAN VIEW - PROPOSED



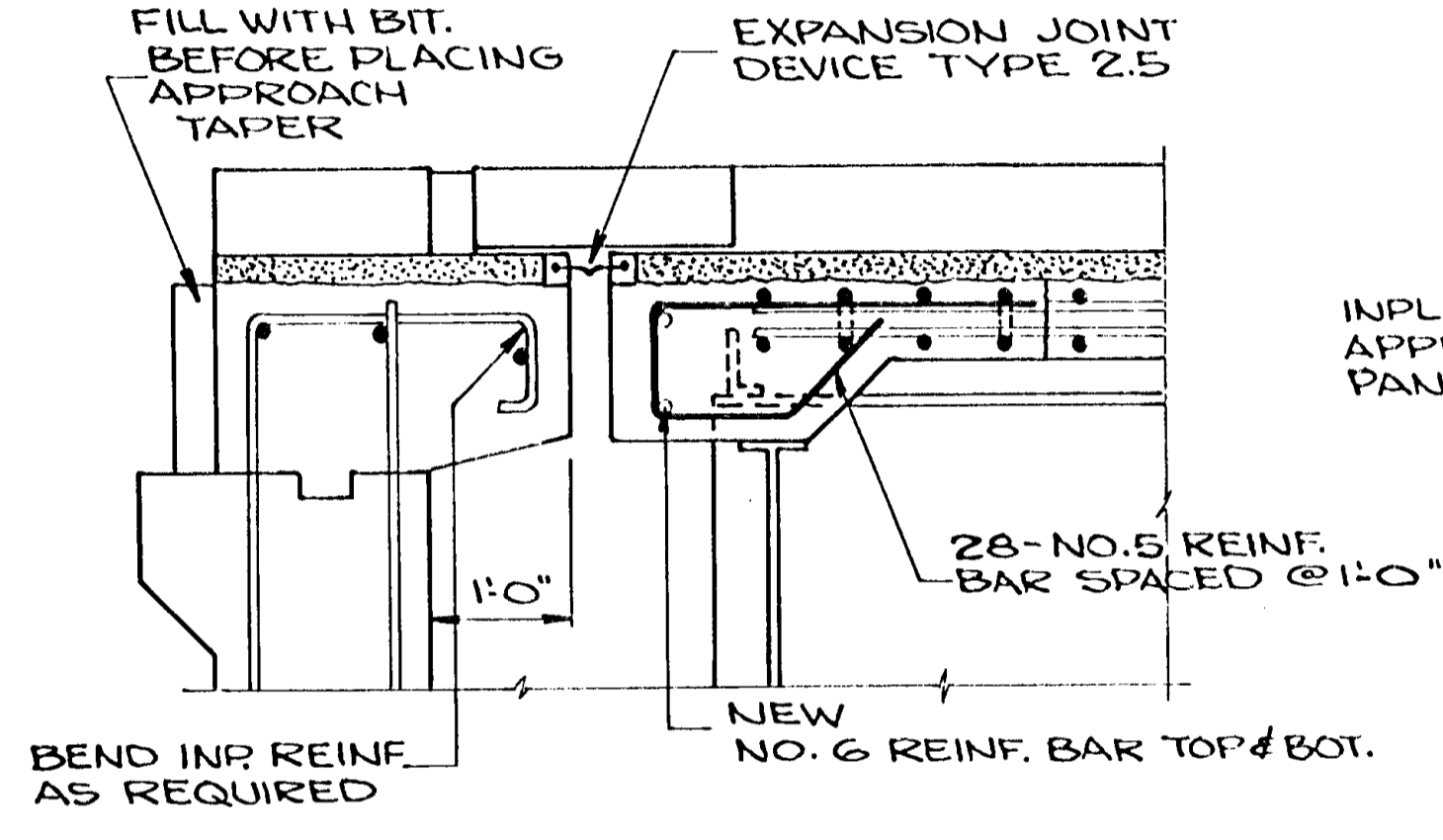
PLAN VIEW - IN-PLACE



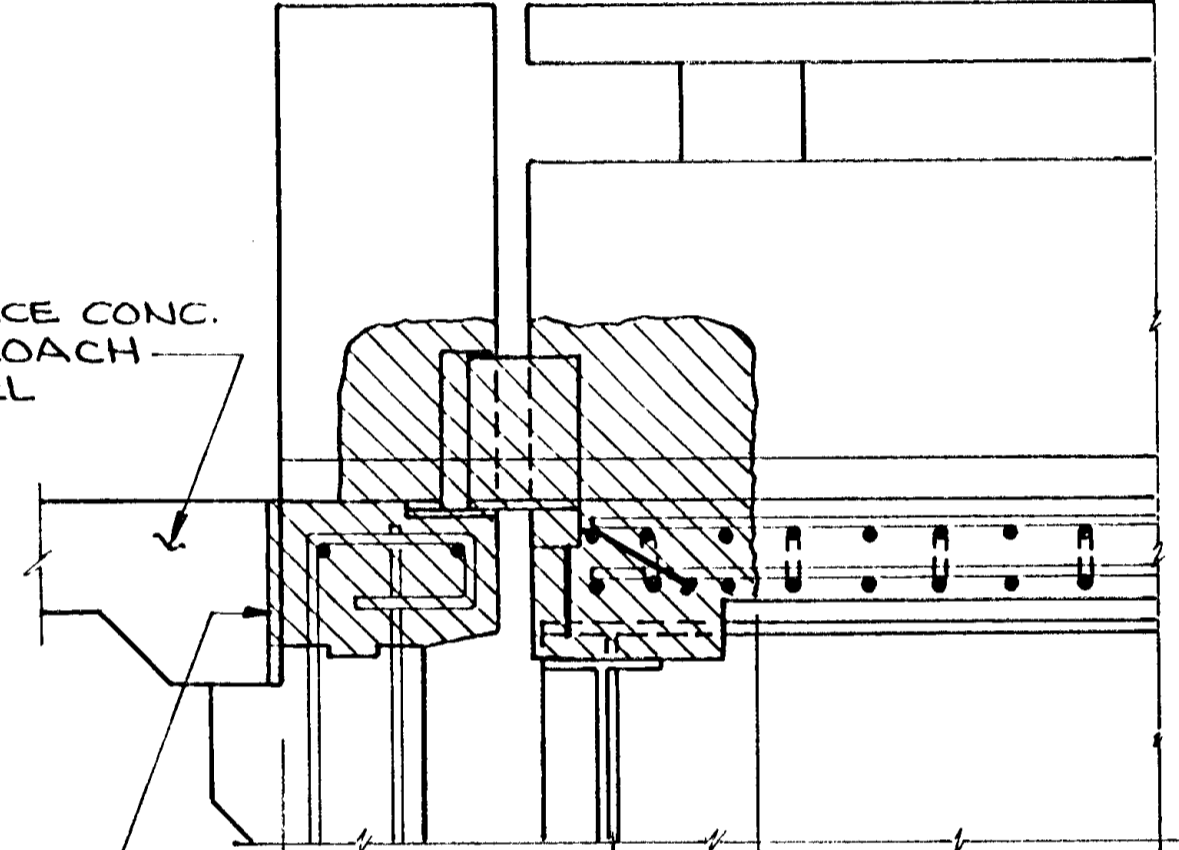
PLAN VIEW - PROPOSED



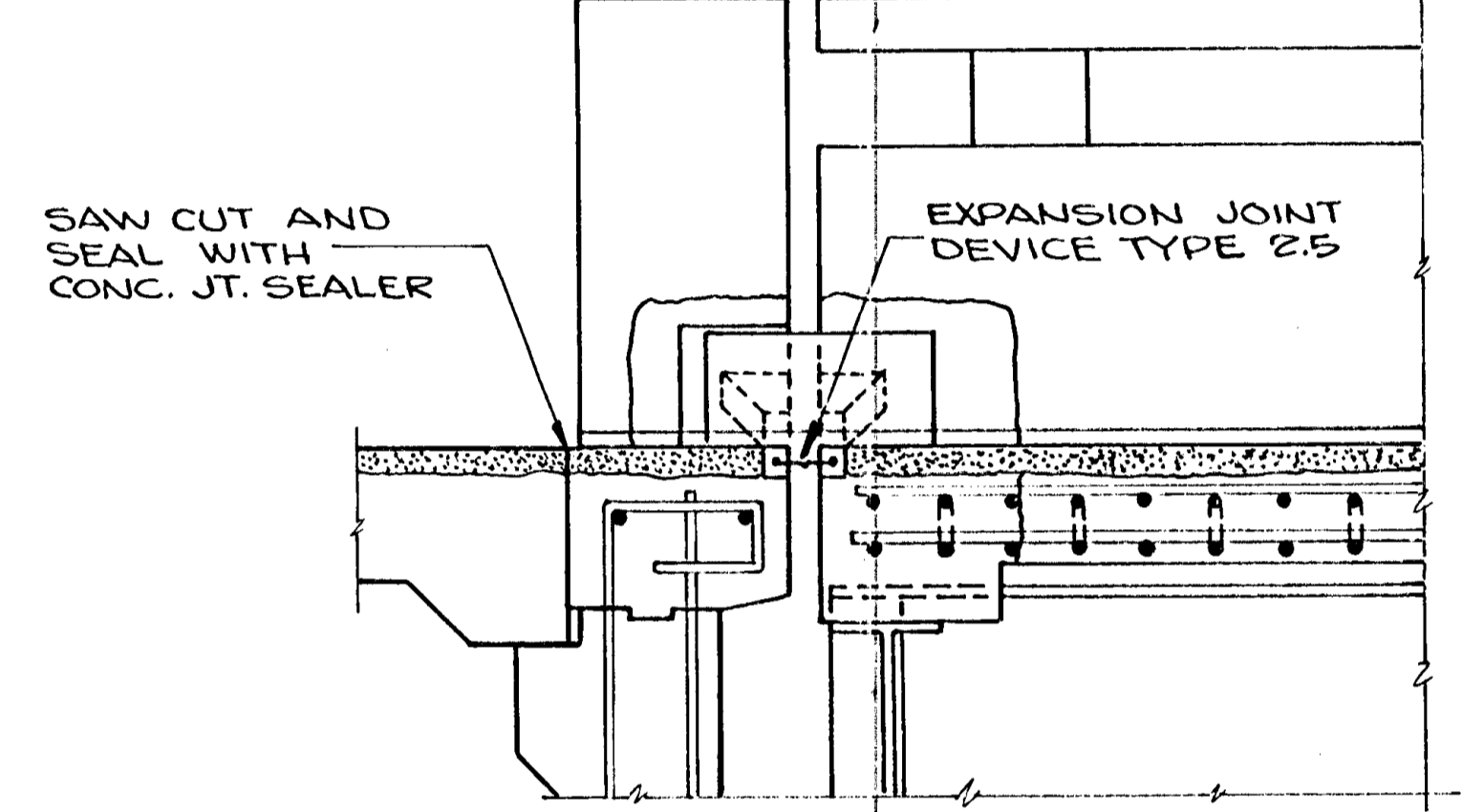
SECTION A-A



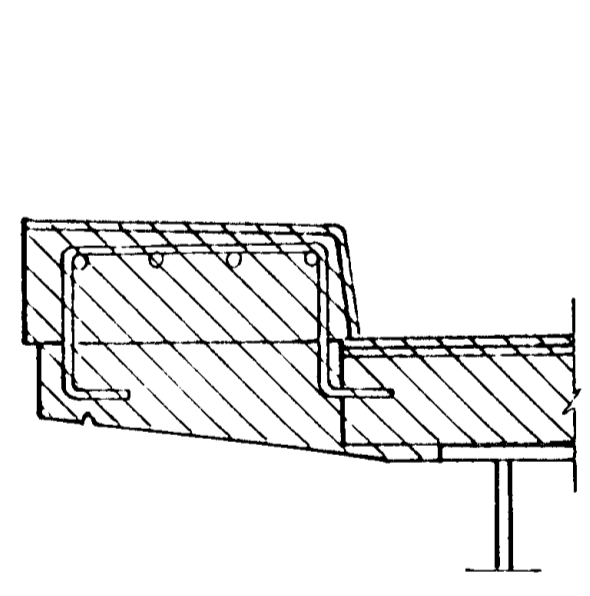
SECTION A1-A1



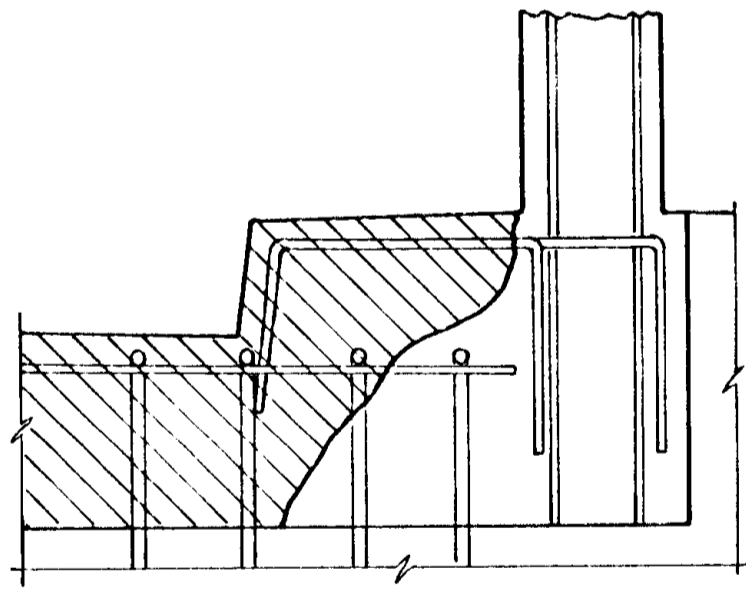
SECTION D-D



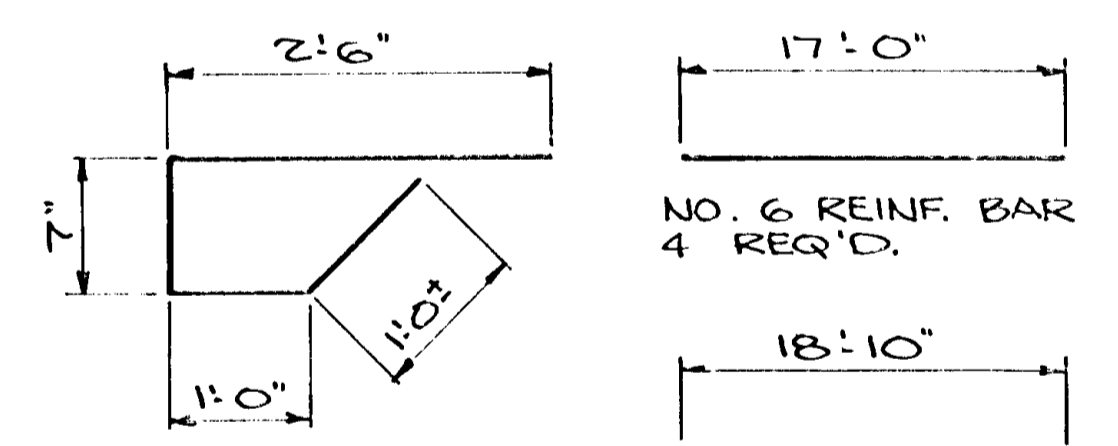
SECTION D1-D1



SECTION B-B



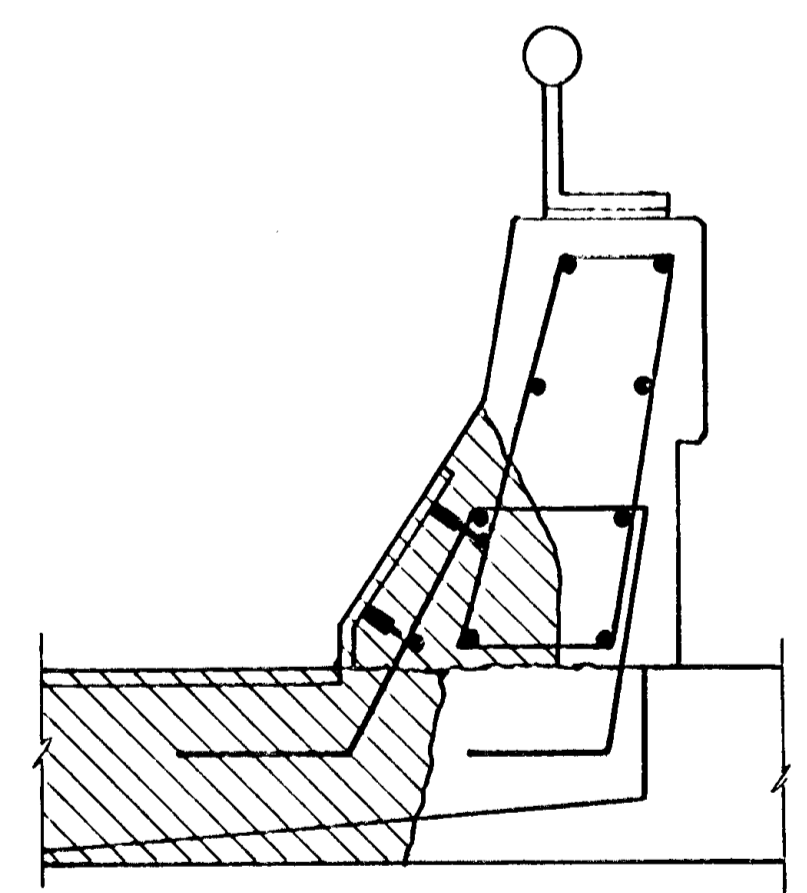
SECTION C-C



NO. 5 REINF. BAR 56 REQ'D.
NO. 6 REINF. BAR 4 REQ'D.

REINF. BARS INCLUDED IN PRICE BID FOR RECONSTRUCT EXPANSION JOINT.

NOTE: FOR PROPOSED CURB SECTIONS & DETAILS SEE WATERPROOF EXP. DEVICE DETAILS.



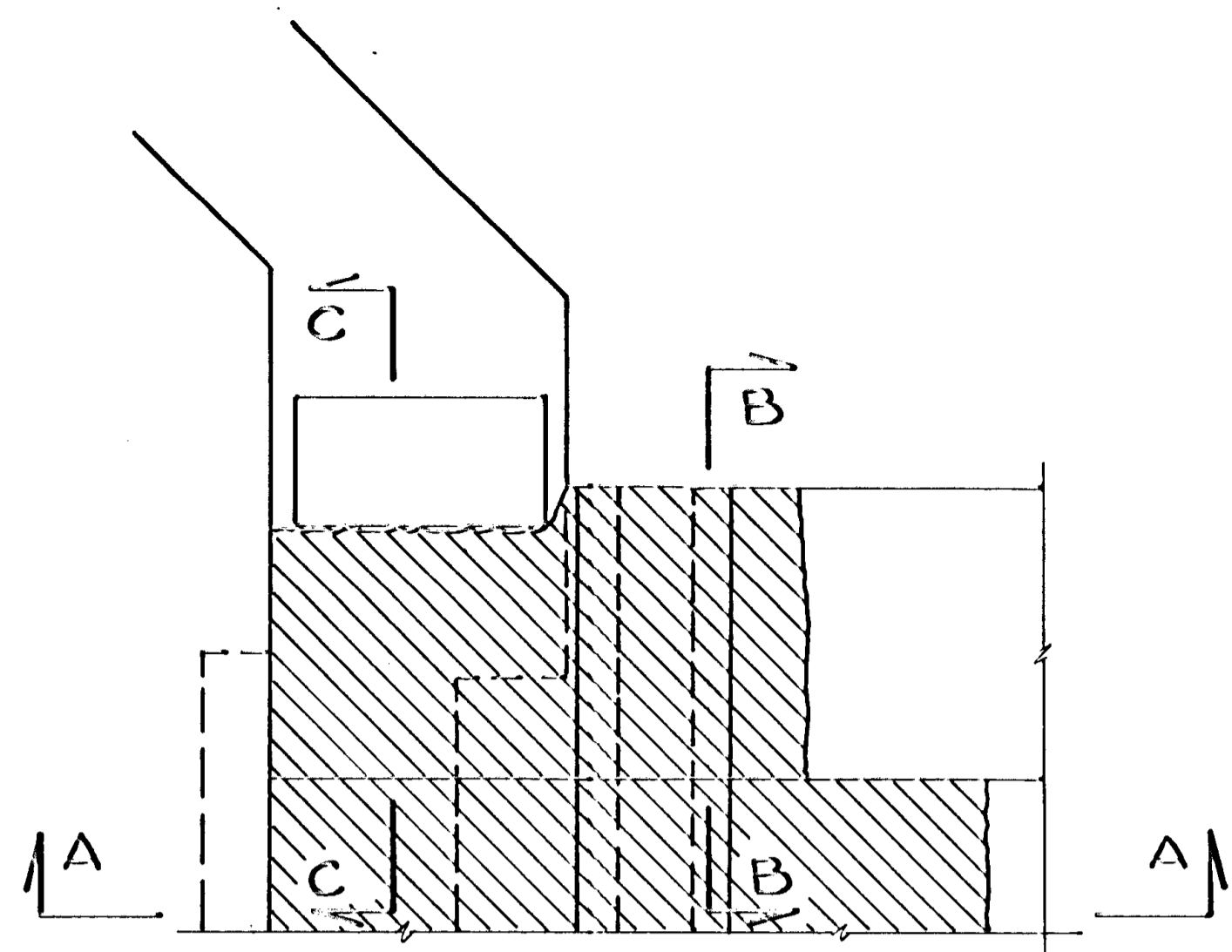
SECTION E-E

NOTE: FOR PROPOSED RAIL SECTIONS & DETAILS SEE WATERPROOF EXP. DEVICE DETAILS.

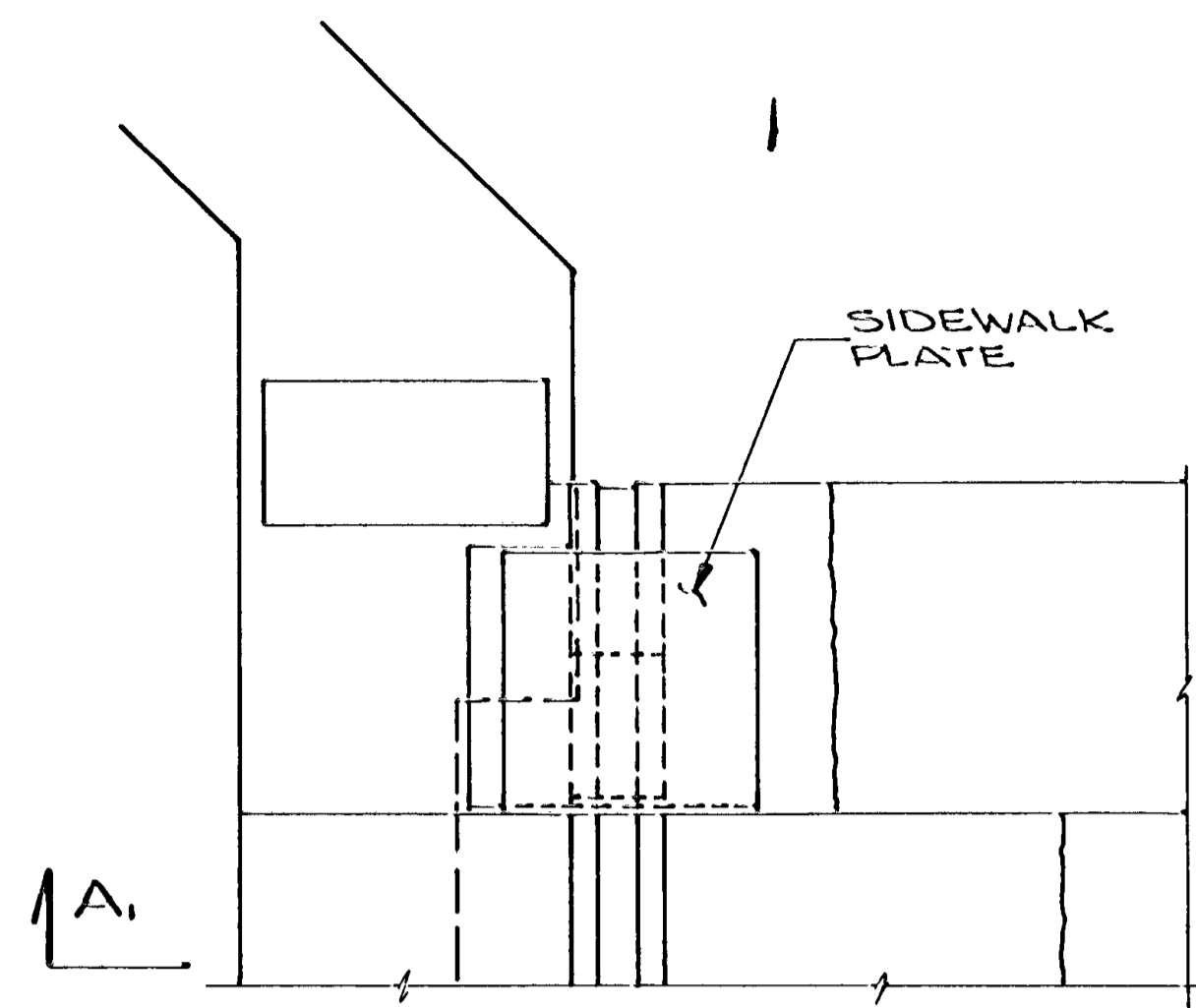
RECONSTRUCT EXPANSION JOINT TYPE 1
BRIDGE NO. 02501

RECONSTRUCT EXPANSION JOINT TYPE 1
BRIDGE NO. 02523

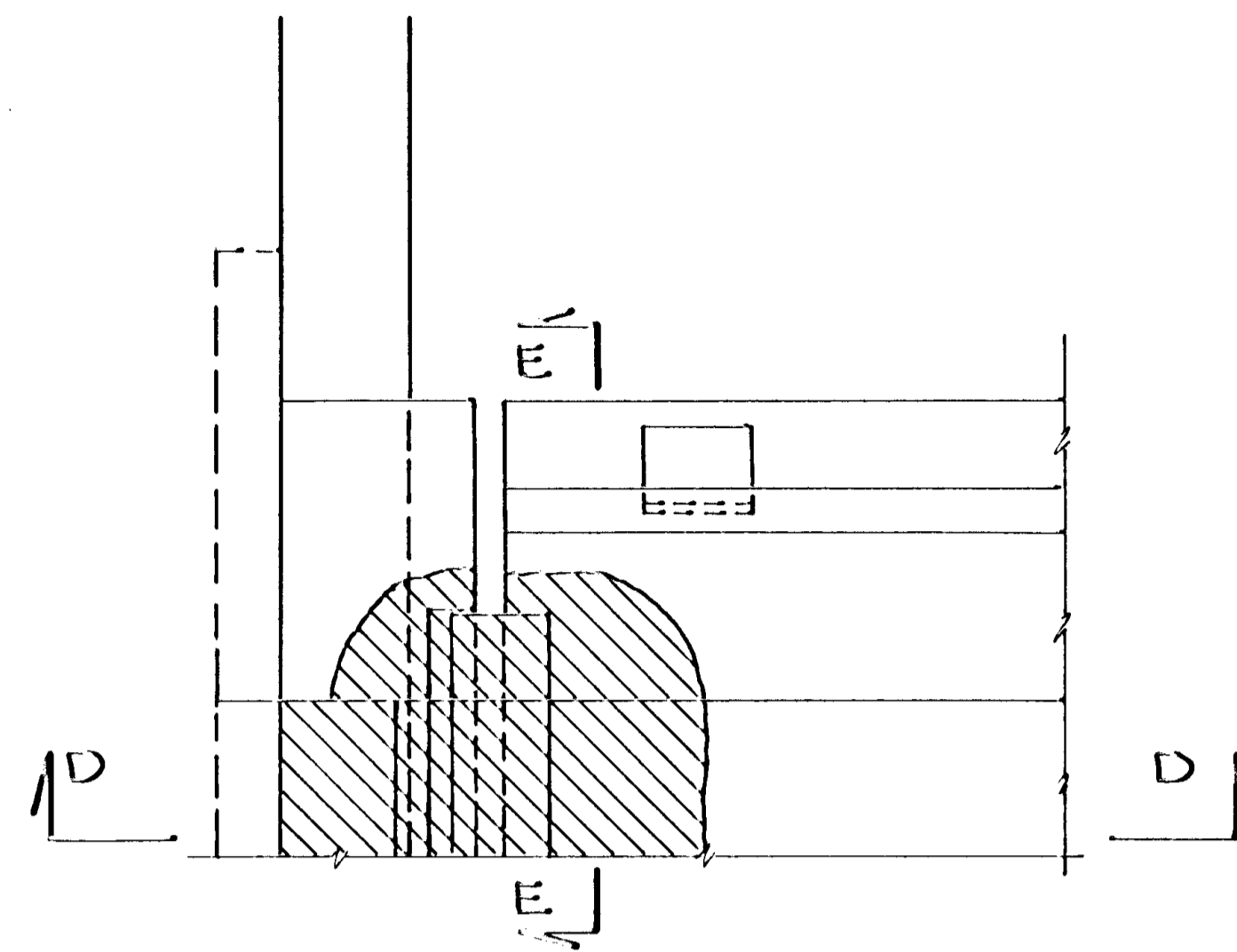
RECONSTRUCT EXPANSION JOINTS TYPE 1	DES:	DR: R.H.	APPROVED:	BRIDGE NO. 02501 02523
	CHK:	CHK:		
SHEET NO. 6 of 10 SHEETS				



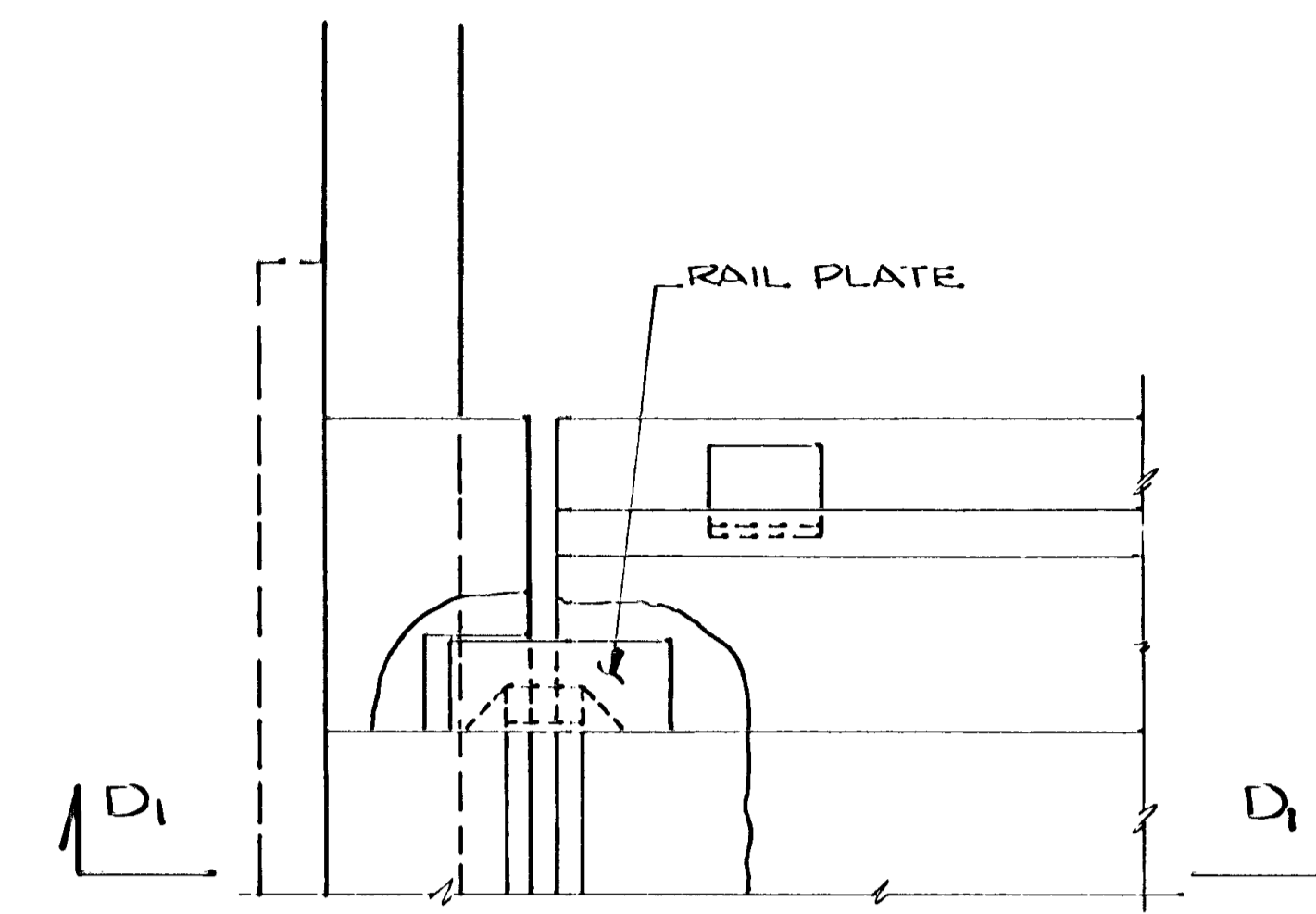
PLAN VIEW - INPLACE



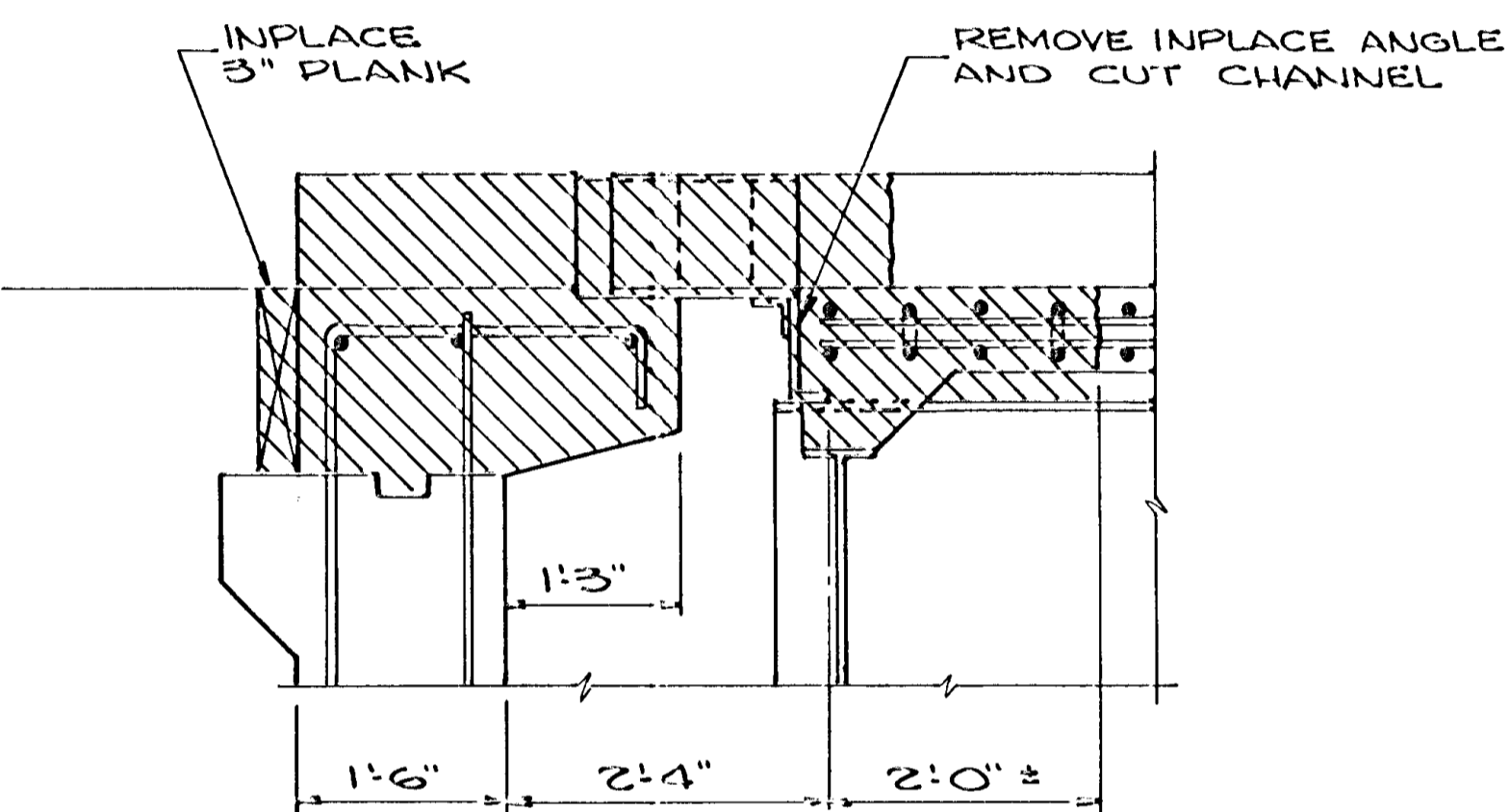
PLAN VIEW - PROPOSED



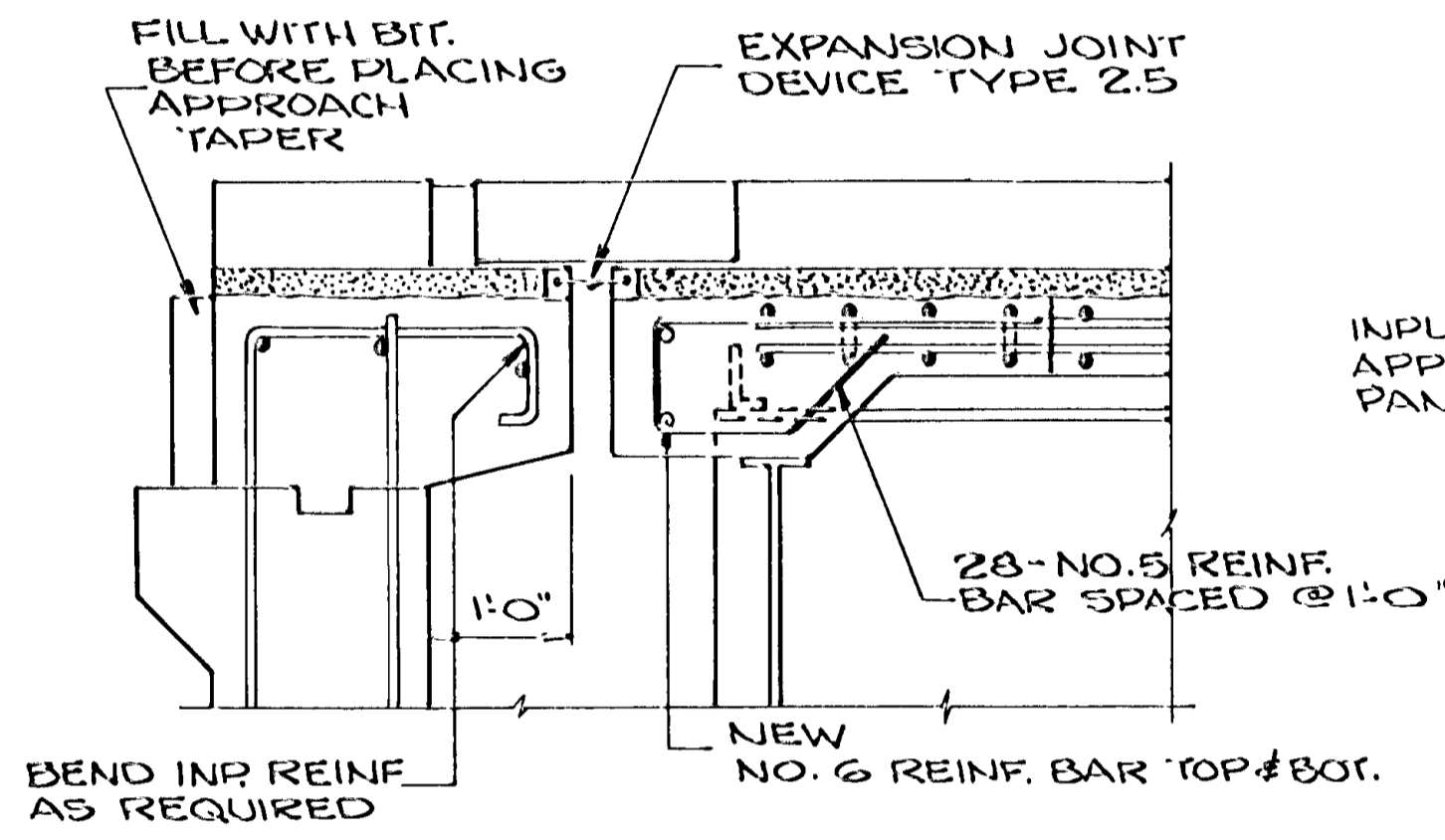
PLAN VIEW - INPLACE



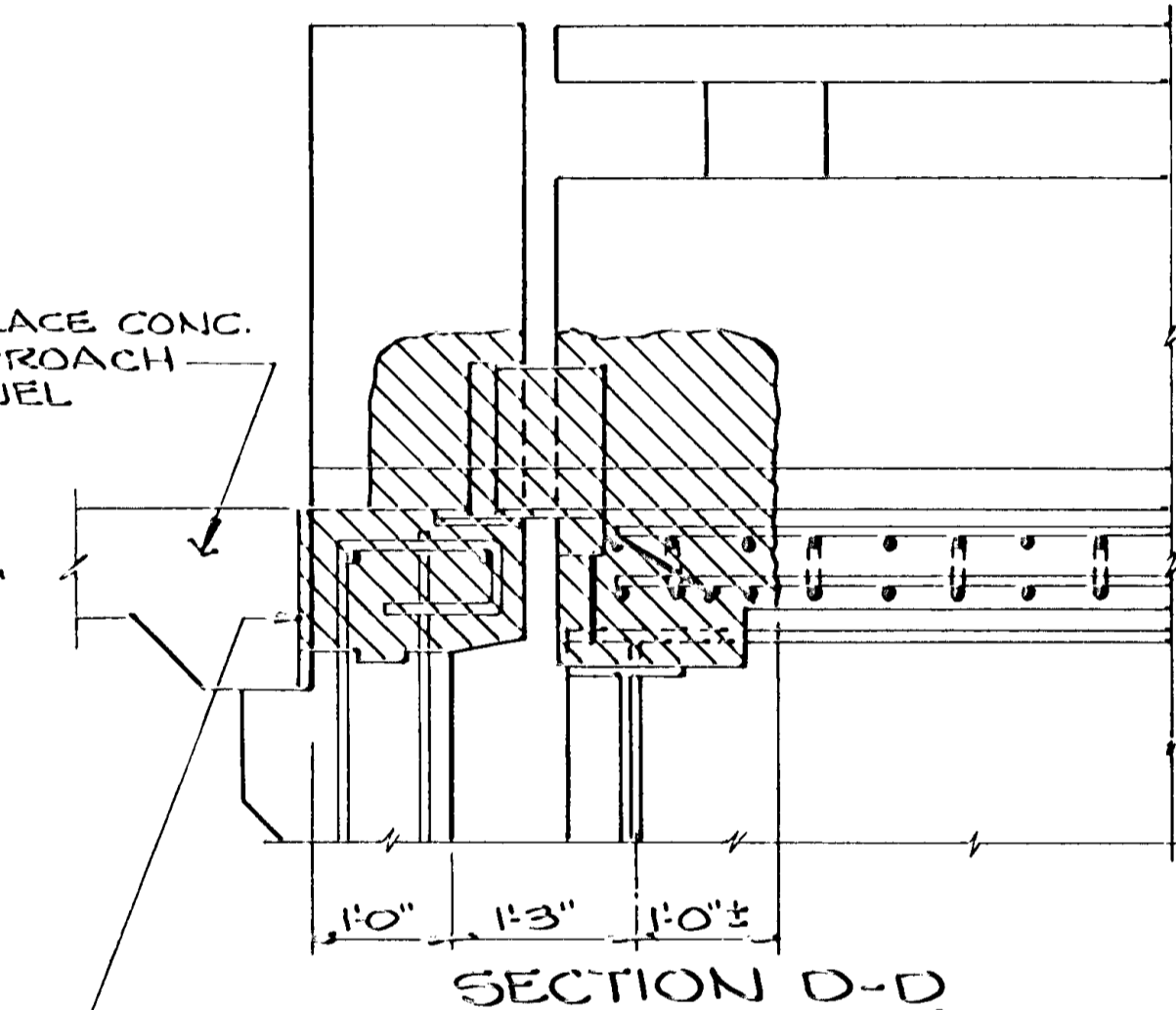
PLAN VIEW - PROPOSED



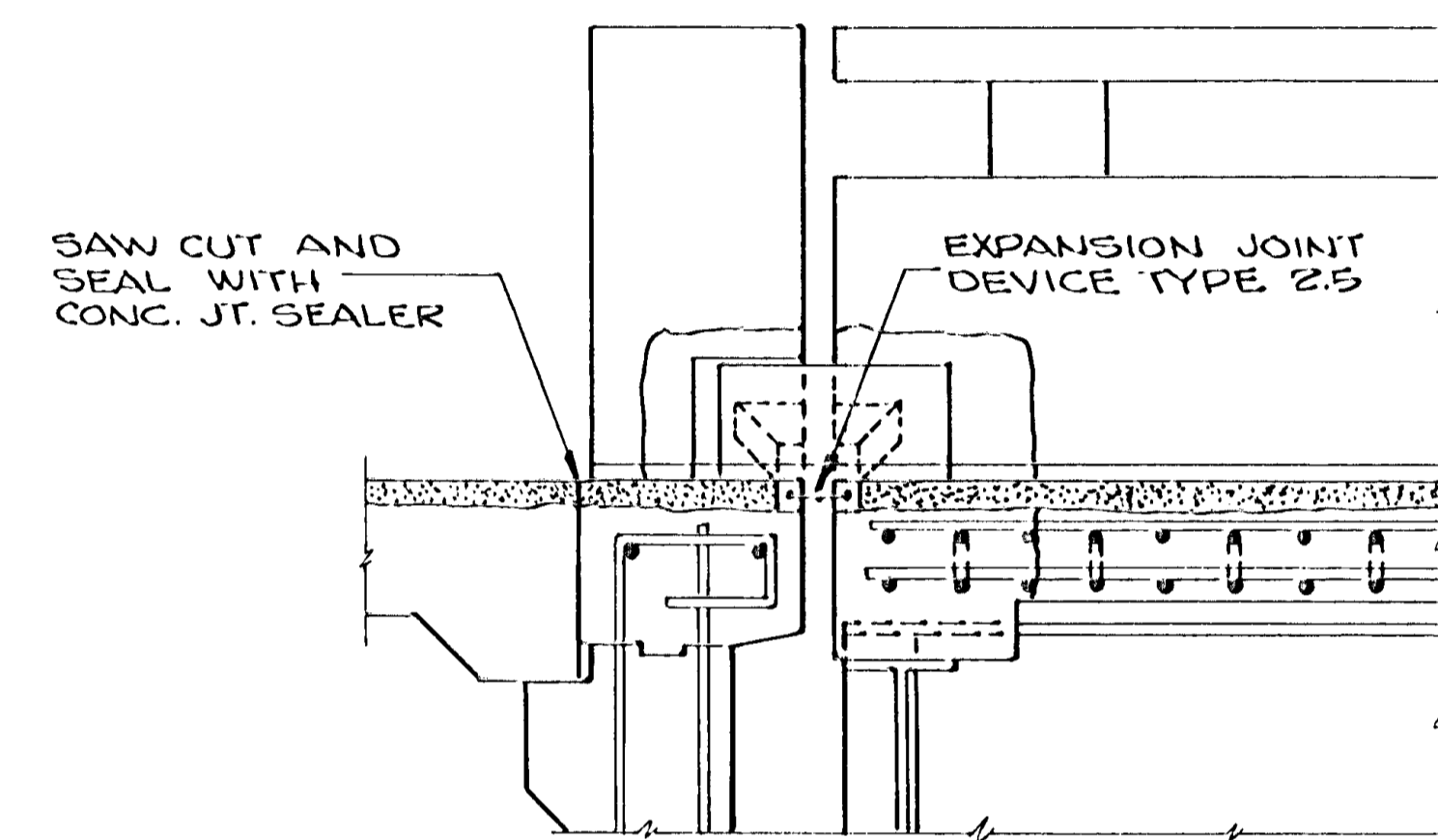
SECTION A-A



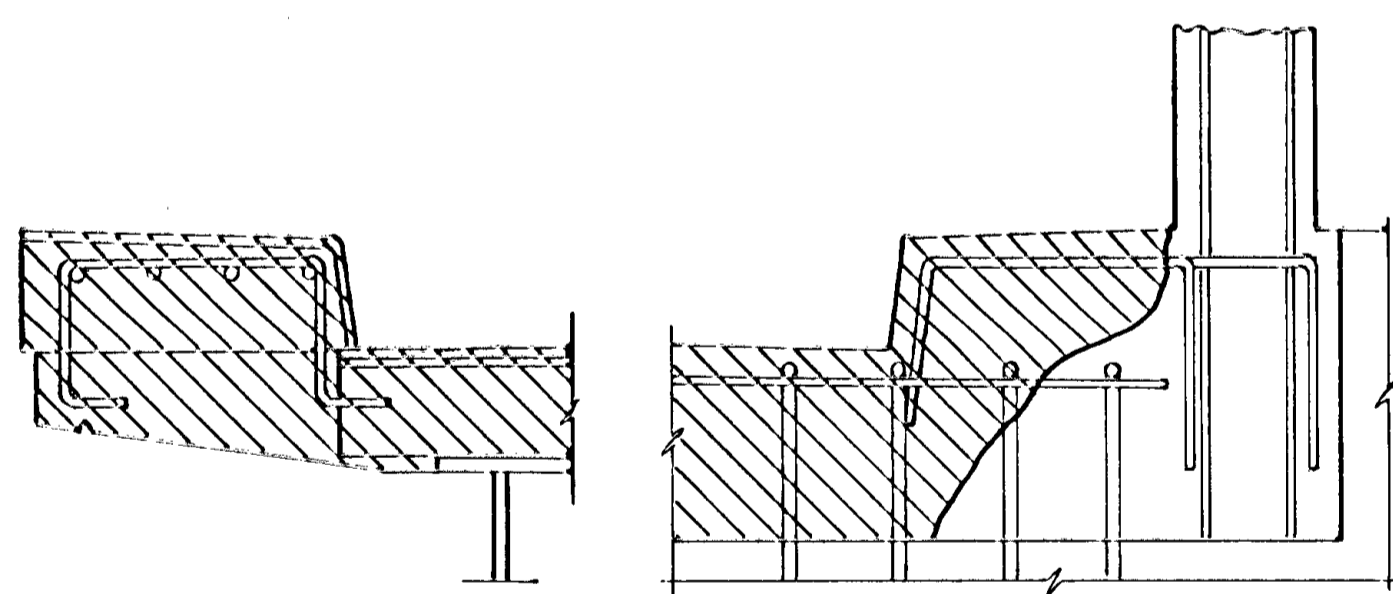
SECTION A1-A1



SECTION D-D

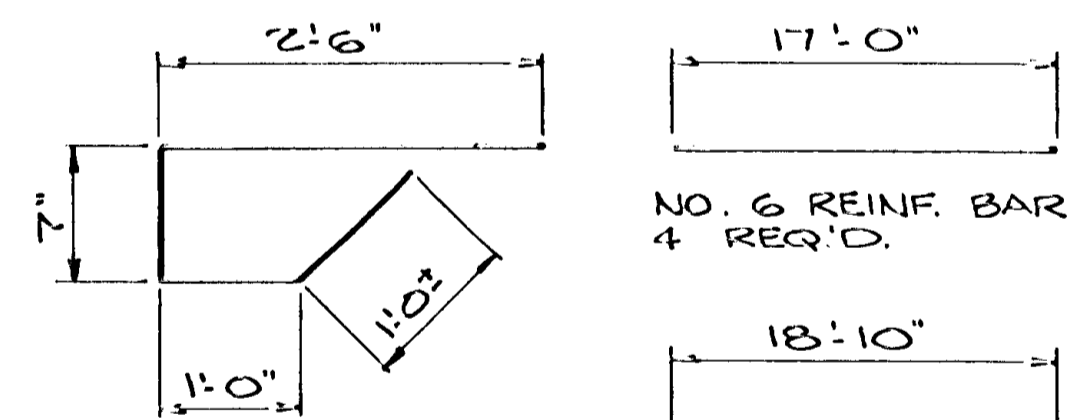


SECTION D1-D1



SECTION B-B

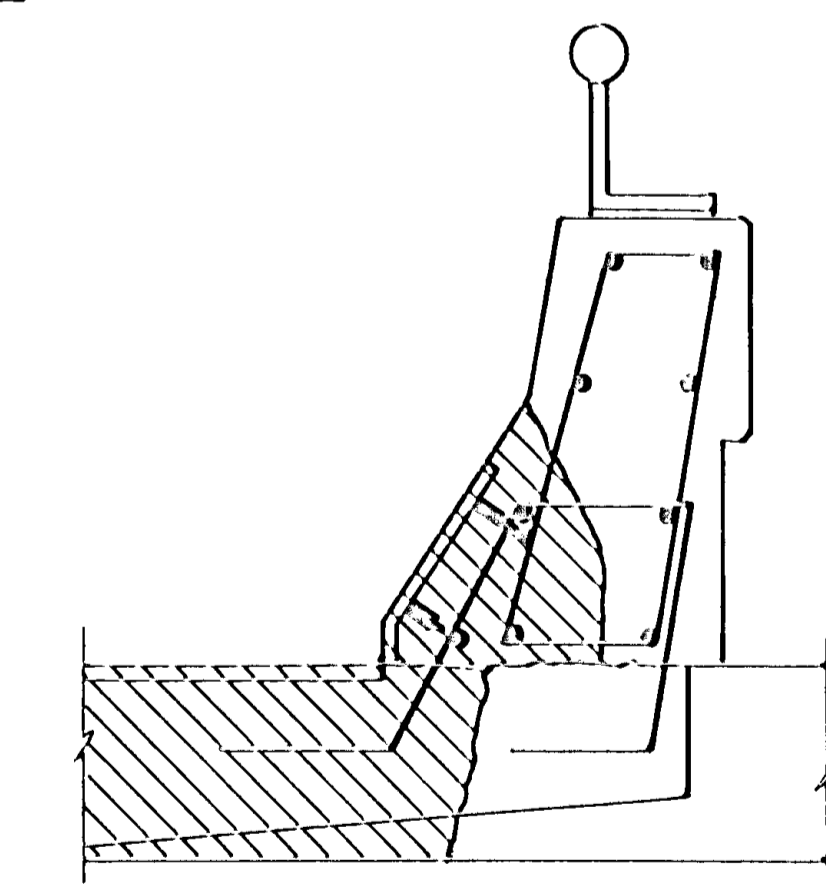
SECTION C-C



NO. 5 REINF. BAR 56 REQ'D. NO. 6 REINF. BAR 4 REQ'D.

NO. 6 REINF. BAR 4 REQ'D. 18'-10"

NOTE: FOR PROPOSED CURB SECTIONS & DETAILS SEE WATERPROOF EXP. DEVICE DETAILS.



SECTION E-E

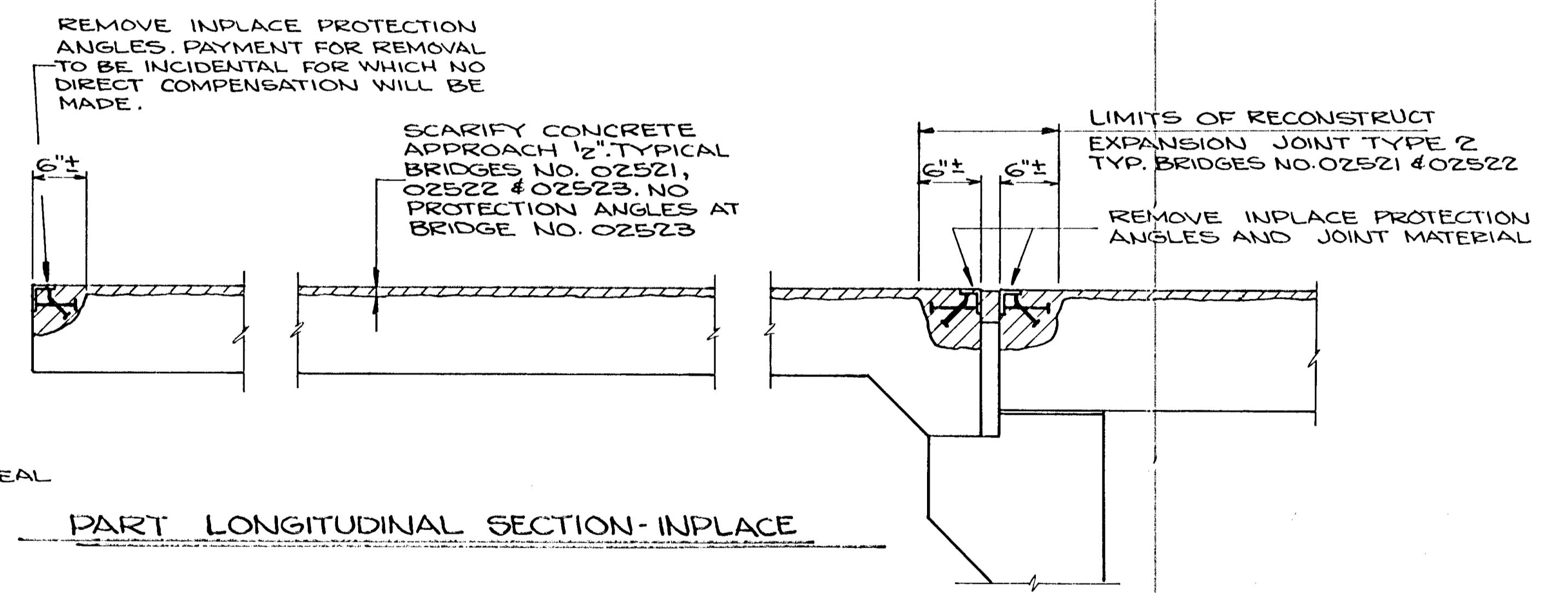
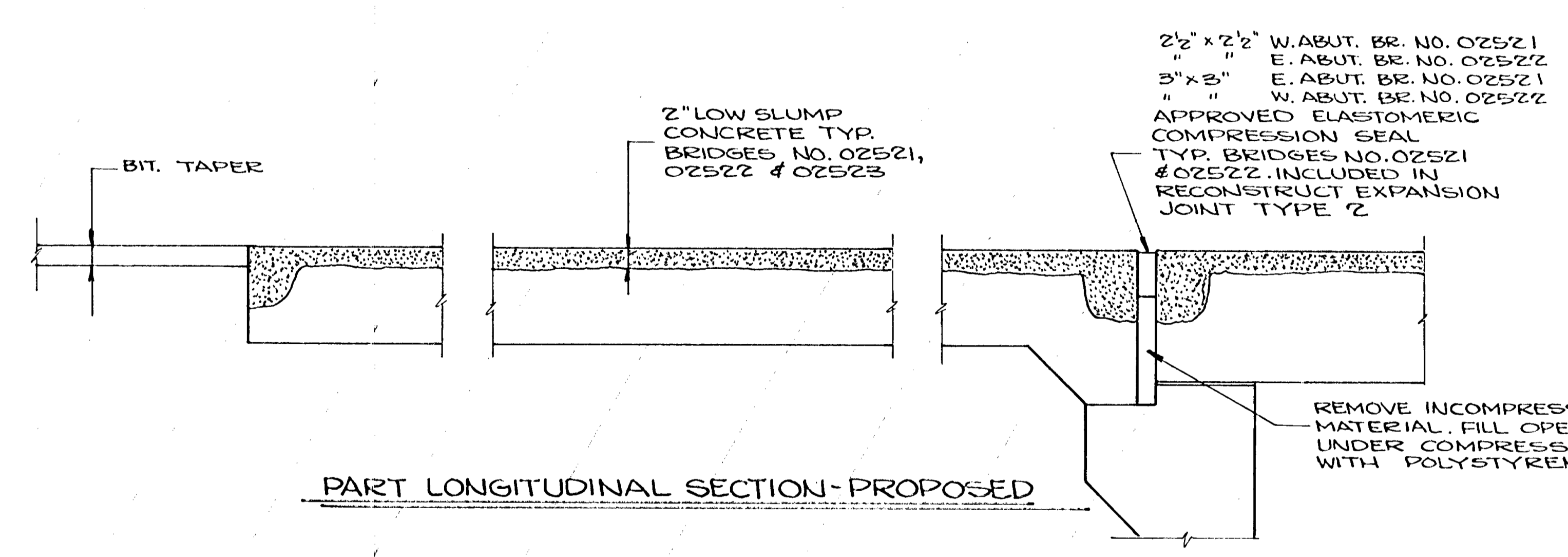
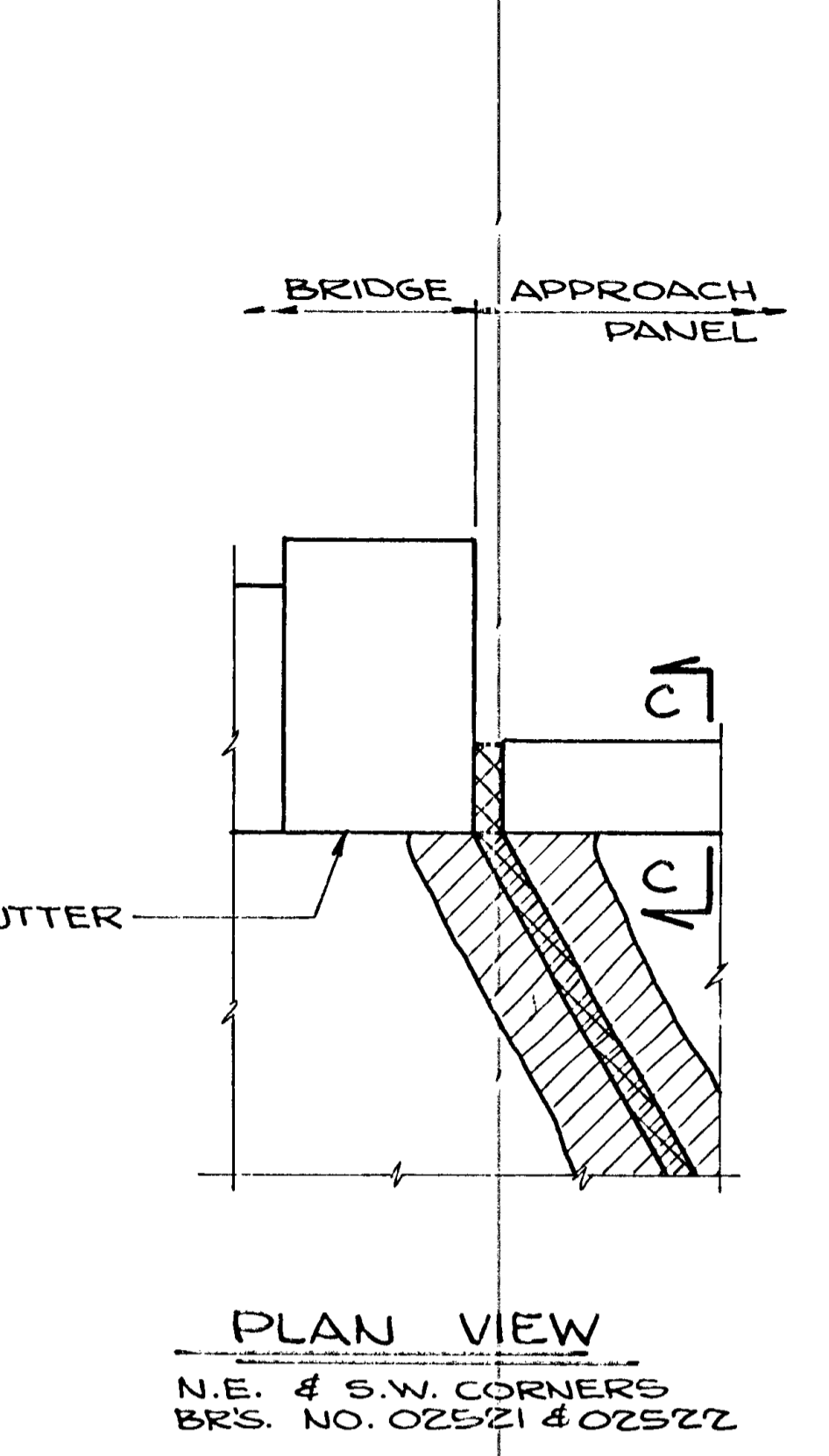
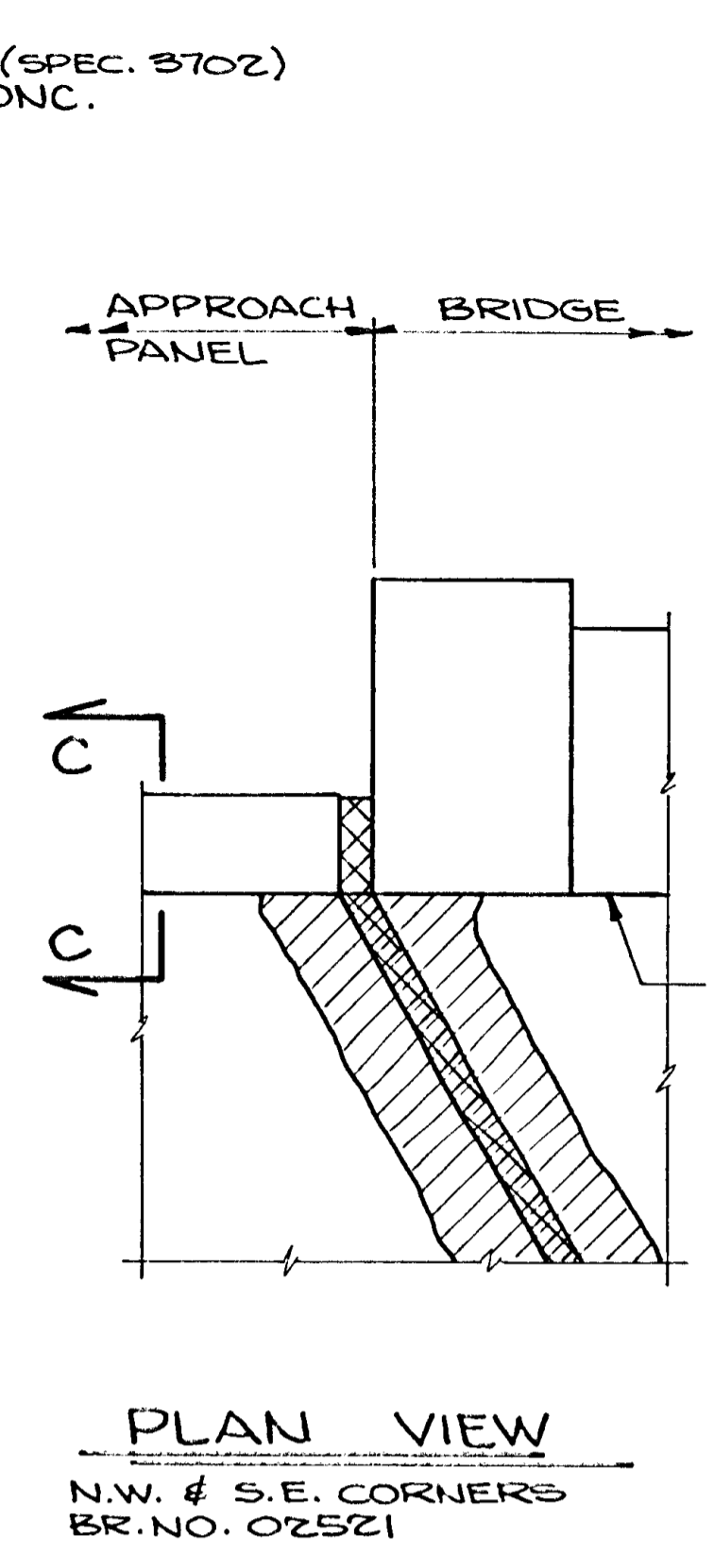
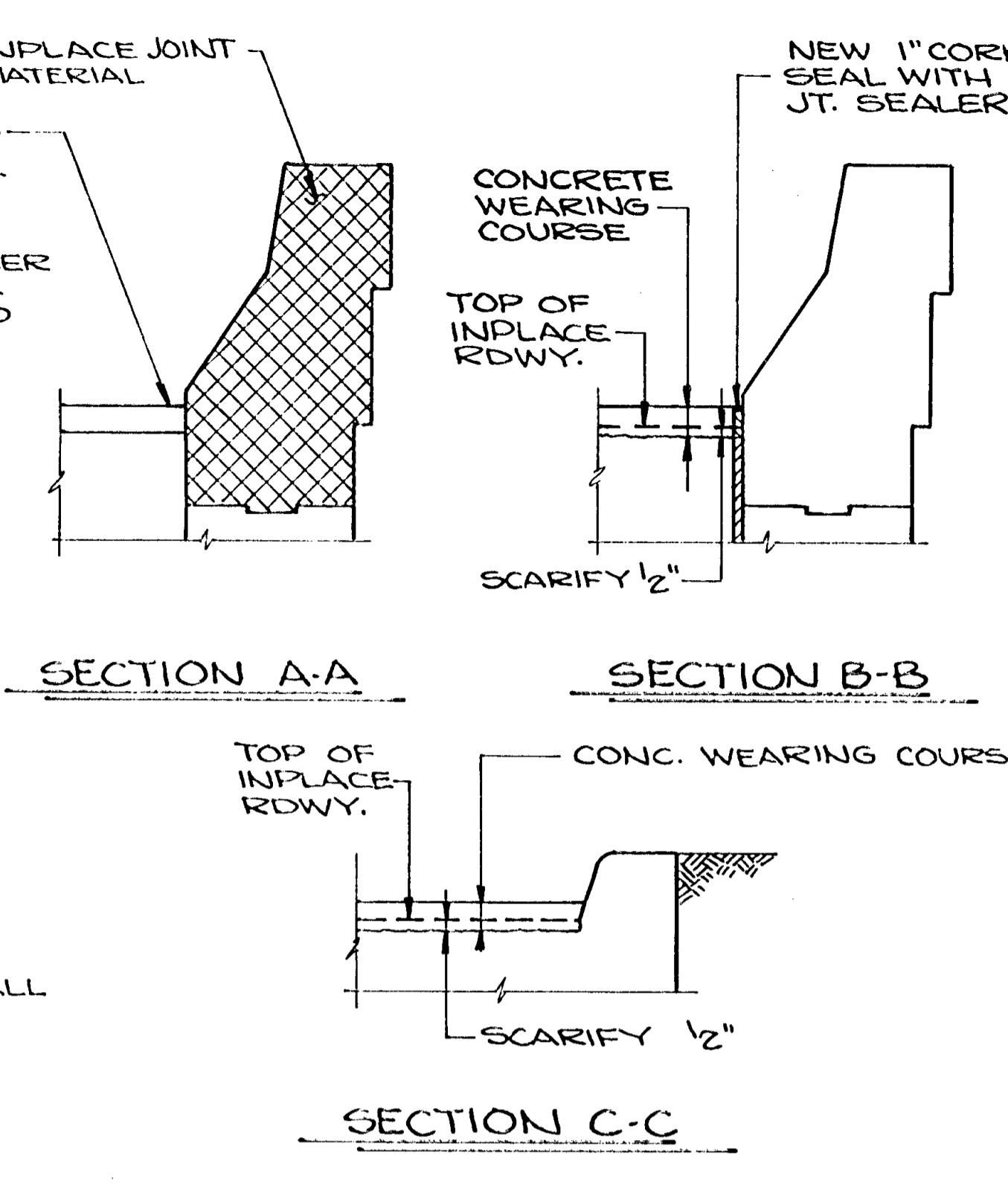
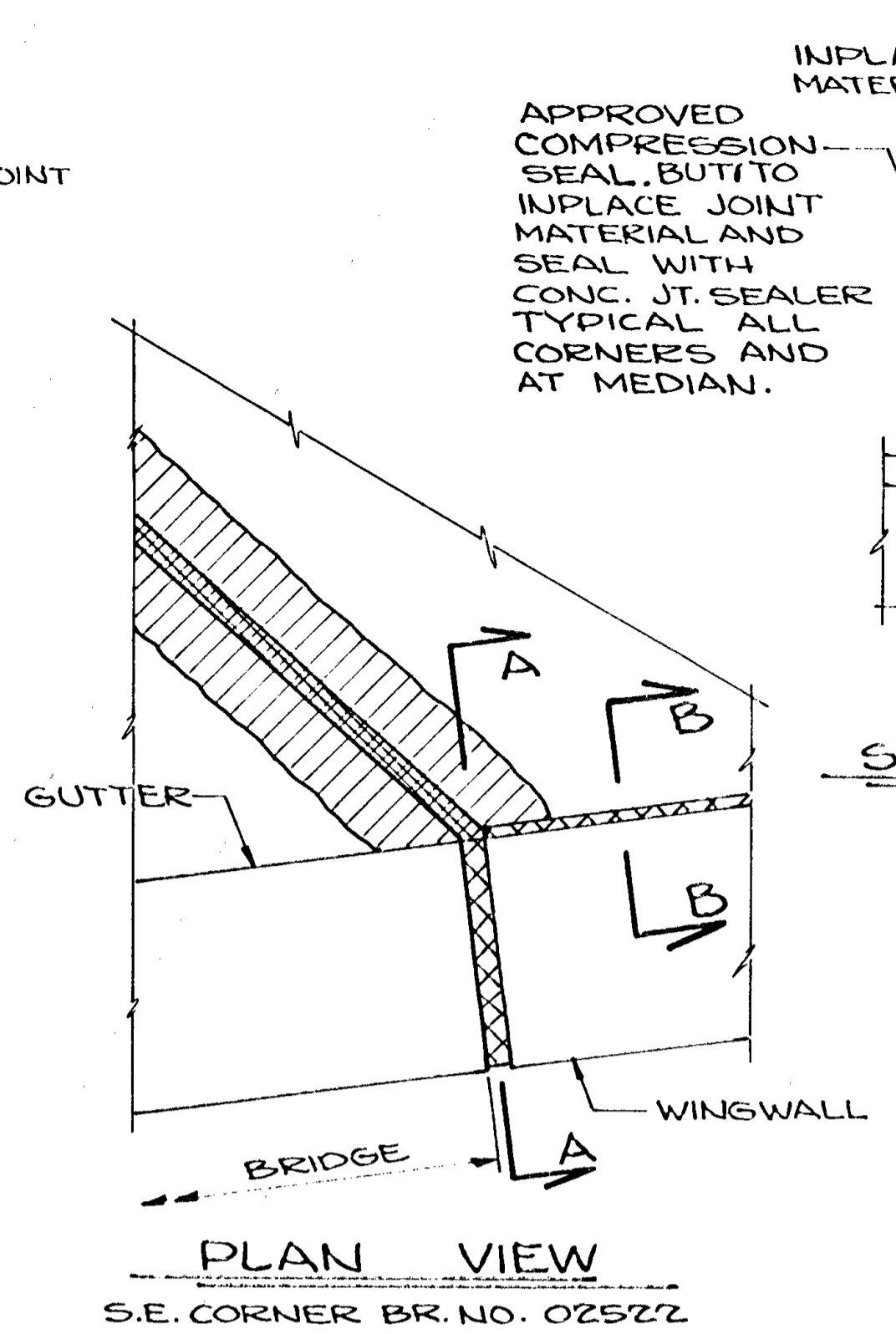
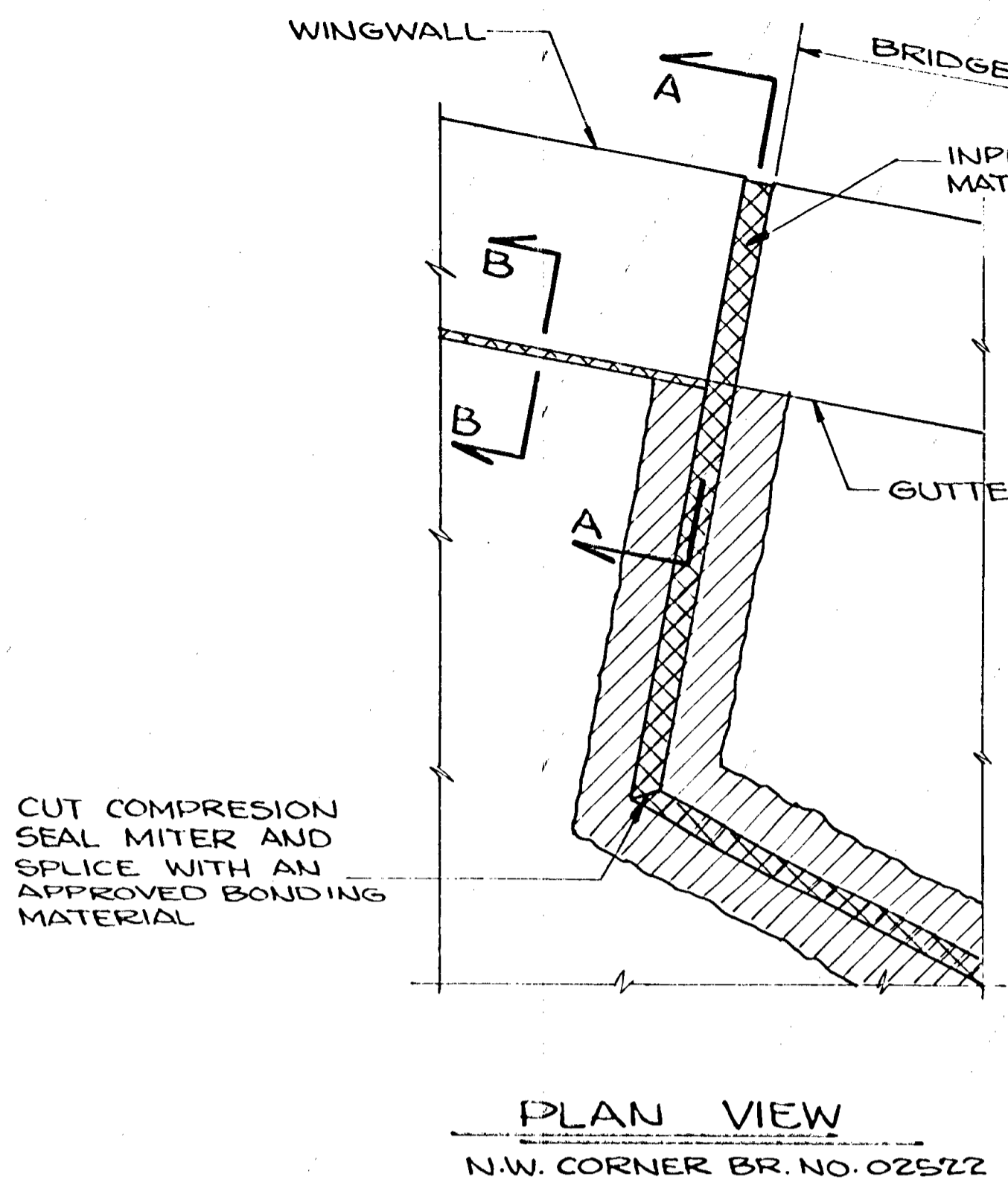
NOTE: FOR PROPOSED RAIL SECTIONS & DETAILS SEE WATERPROOF EXP. DEVICE DETAILS.

RECONSTRUCT EXPANSION JOINT TYPE 1
BRIDGE NO. 02501

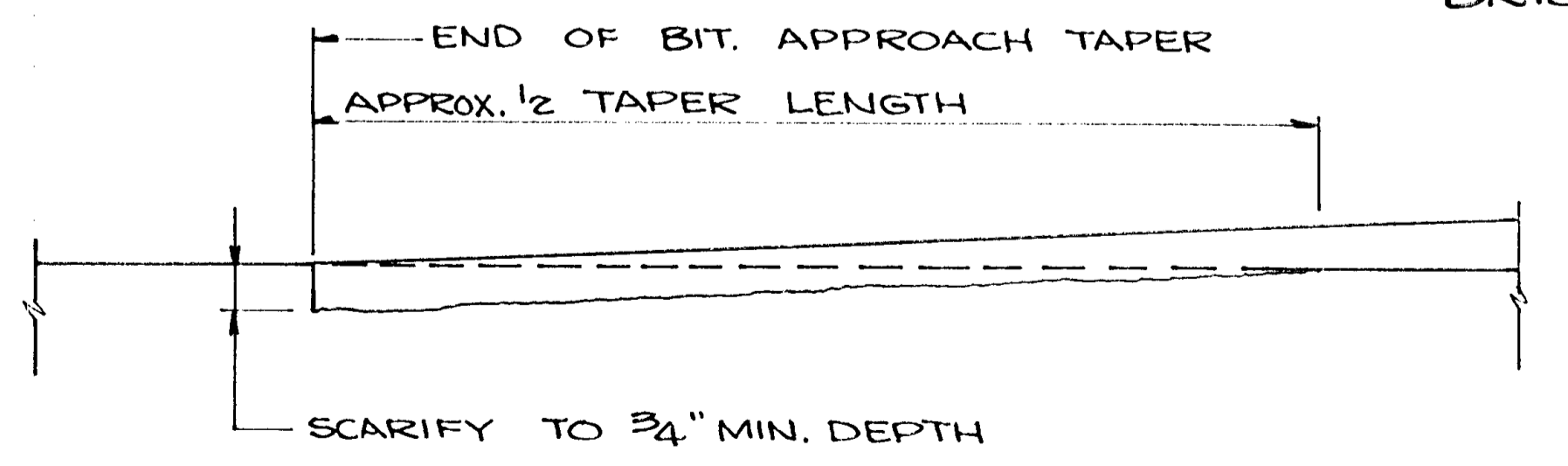
RECONSTRUCT EXPANSION JOINT TYPE 1
BRIDGE NO. 02523

RECONSTRUCT EXPANSION JOINTS TYPE 1

DES:	DR: R.H.	APPROVED:	BRIDGE NO.
CHK:	CHK:		02501
SHEET NO. 6 OF 10 SHEETS			02523

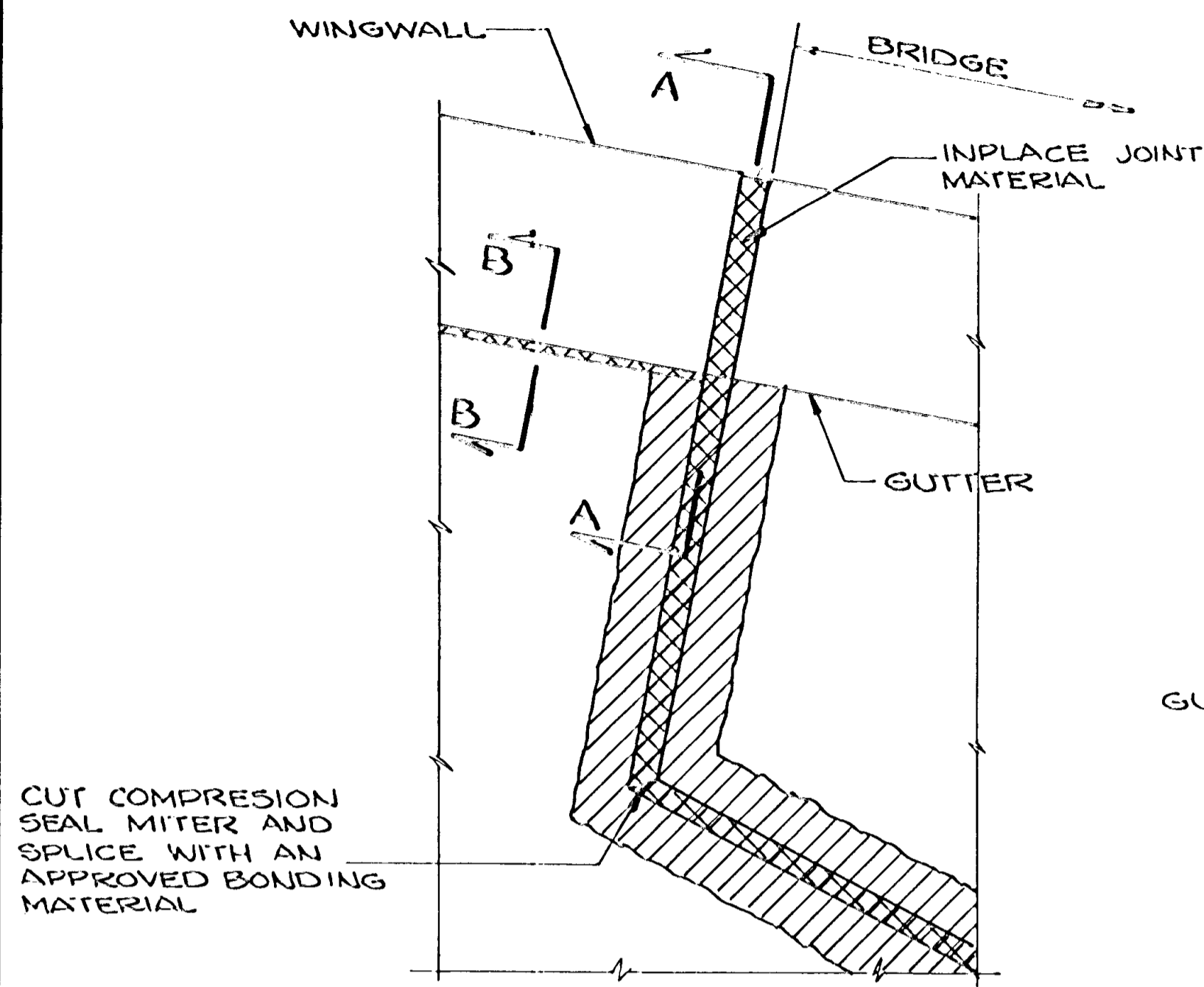


RECONSTRUCT EXPANSION JOINT TYPE 2
BRIDGES NO. 02521 & 02522



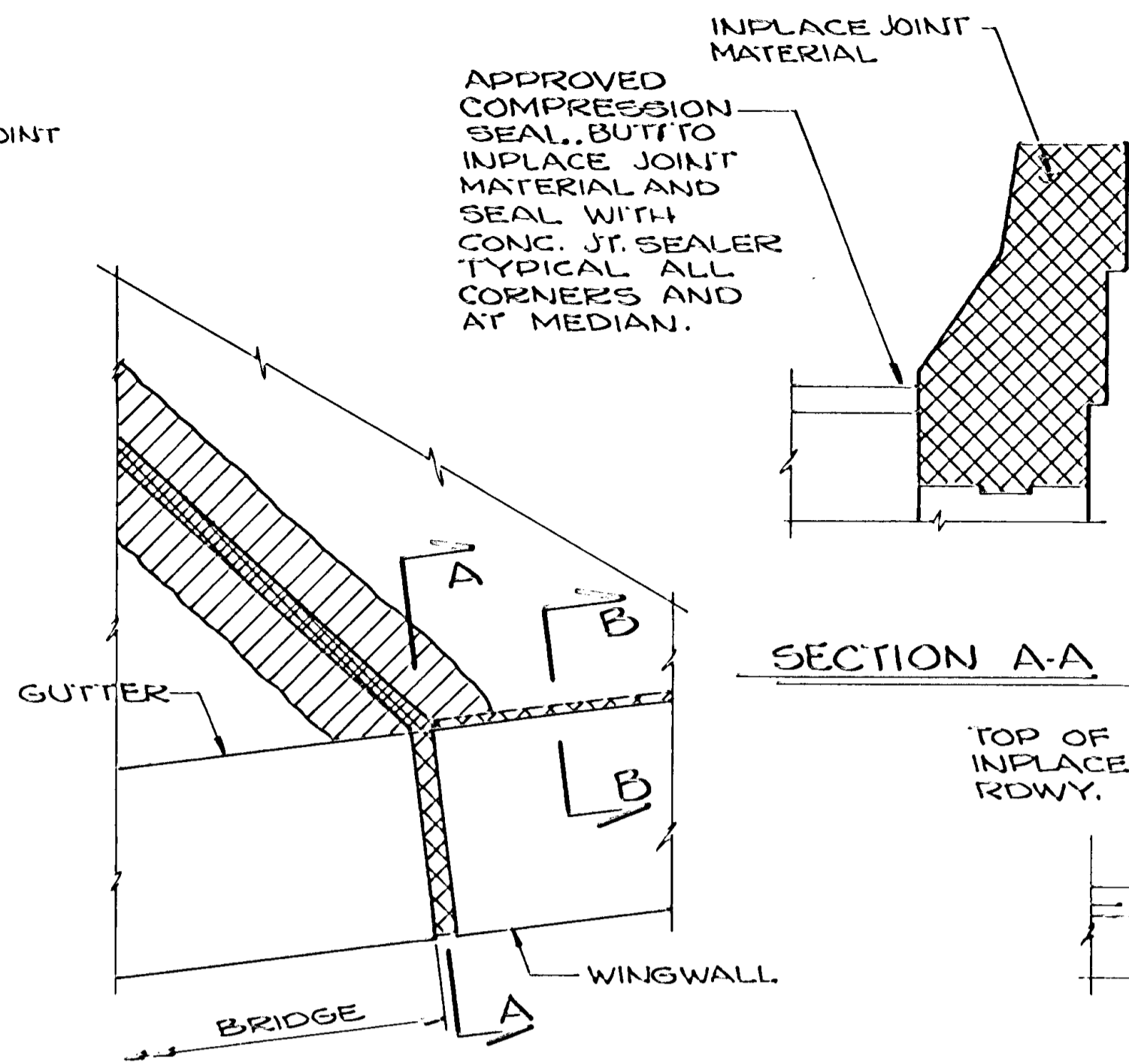
BITUMINOUS TAPER DETAIL
TYPICAL BRIDGES NO. 02501, 02521, 02522 & 02523

RECONSTRUCT EXPANSION JOINT TYPE 2 APPROACH OVERLAY & TAPER DETAILS	DES:	DR: R.H.	APPROVED:	BRIDGE NO. 02501 02521 02522 02523
	CHK:	CHK:	SHEET NO. 7 of 10 SHEETS	

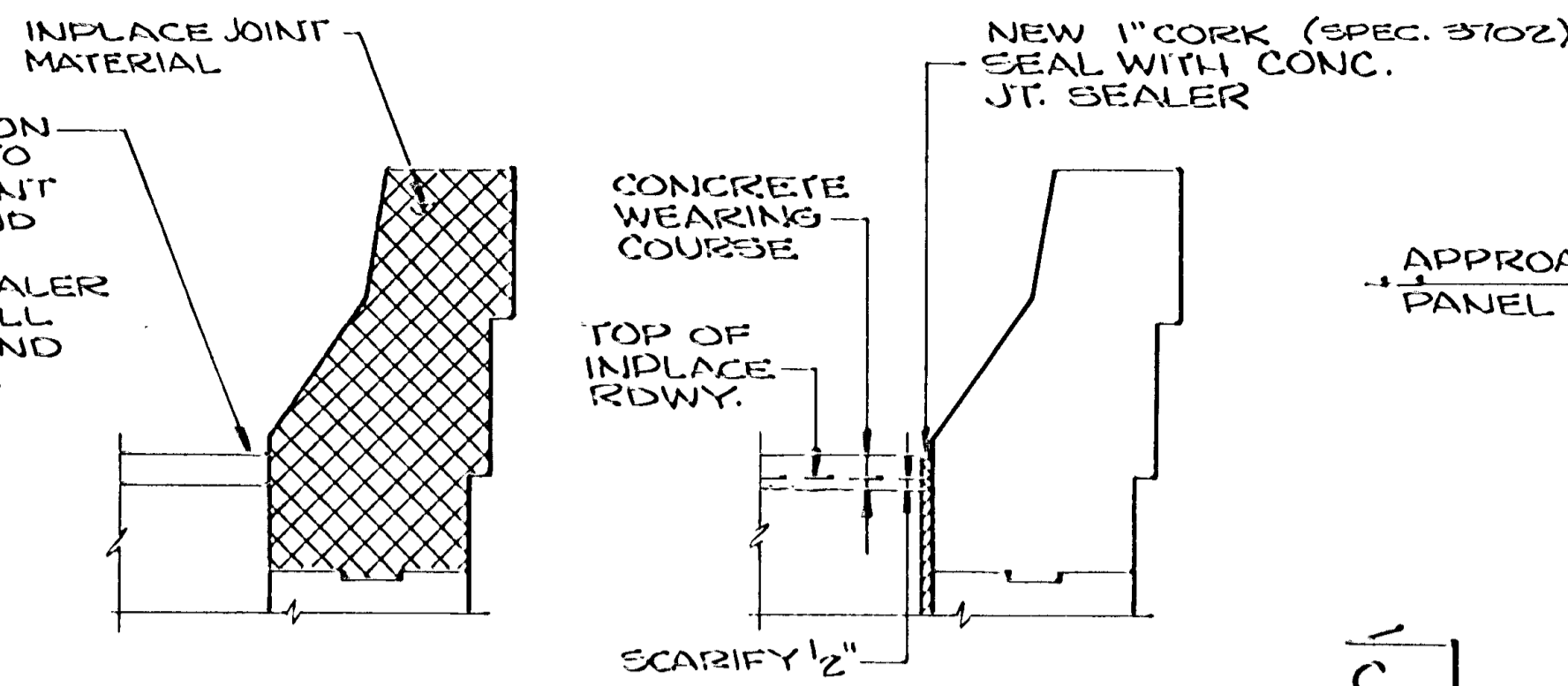


CUT COMPRESSION SEAL MITER AND SPLICE WITH AN APPROVED BONDING MATERIAL

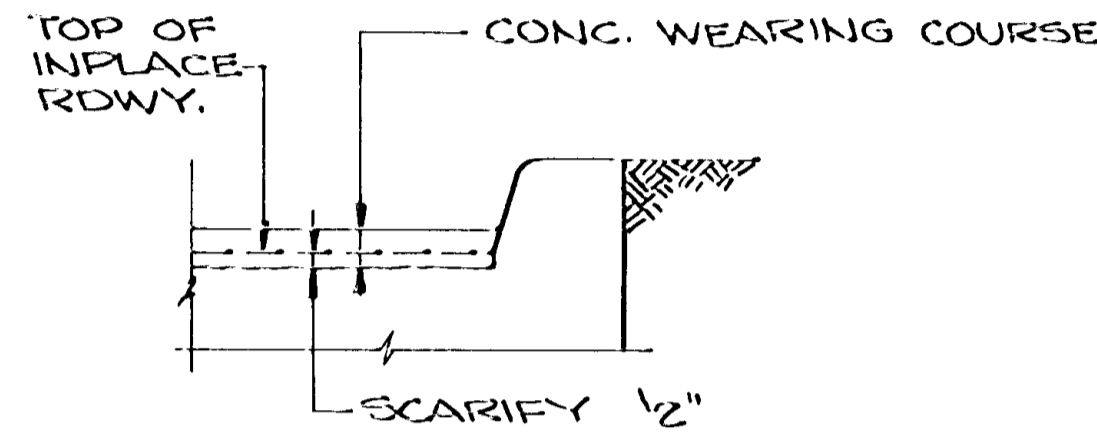
PLAN VIEW
N.W. CORNER BR. NO. 02522



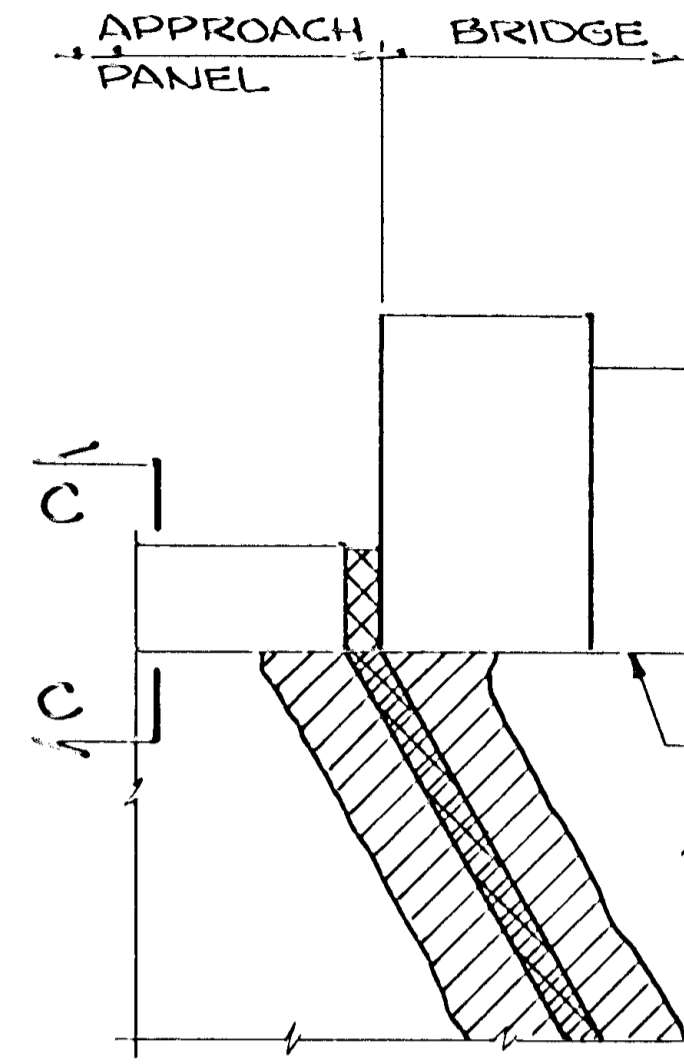
PLAN VIEW
S.E. CORNER BR. NO. 02522



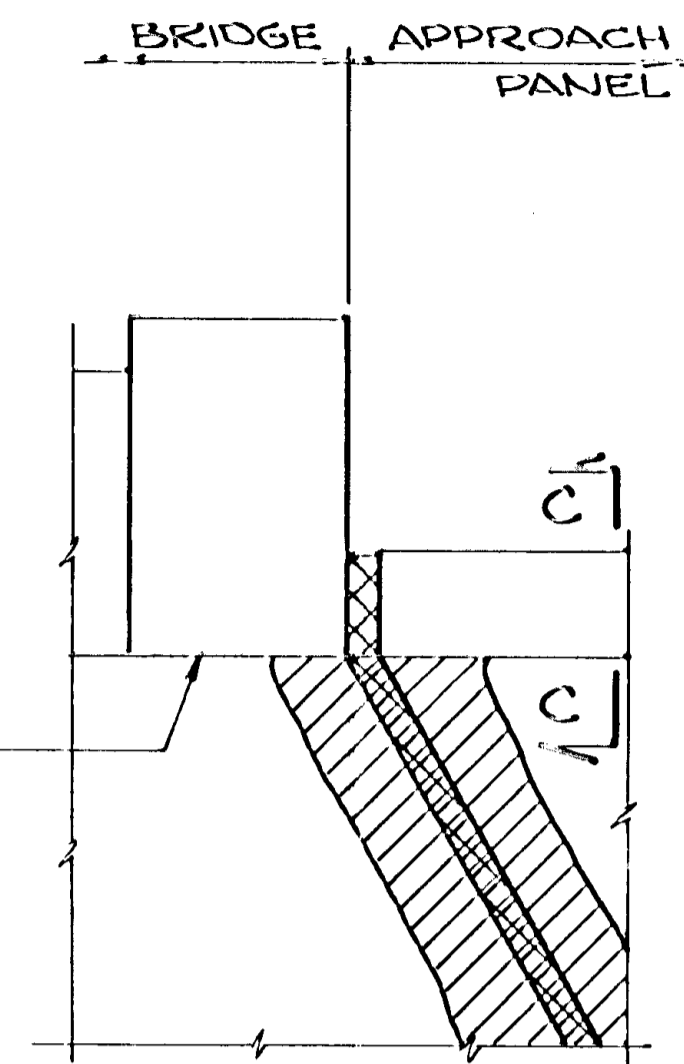
SECTION A-A **SECTION B-B**



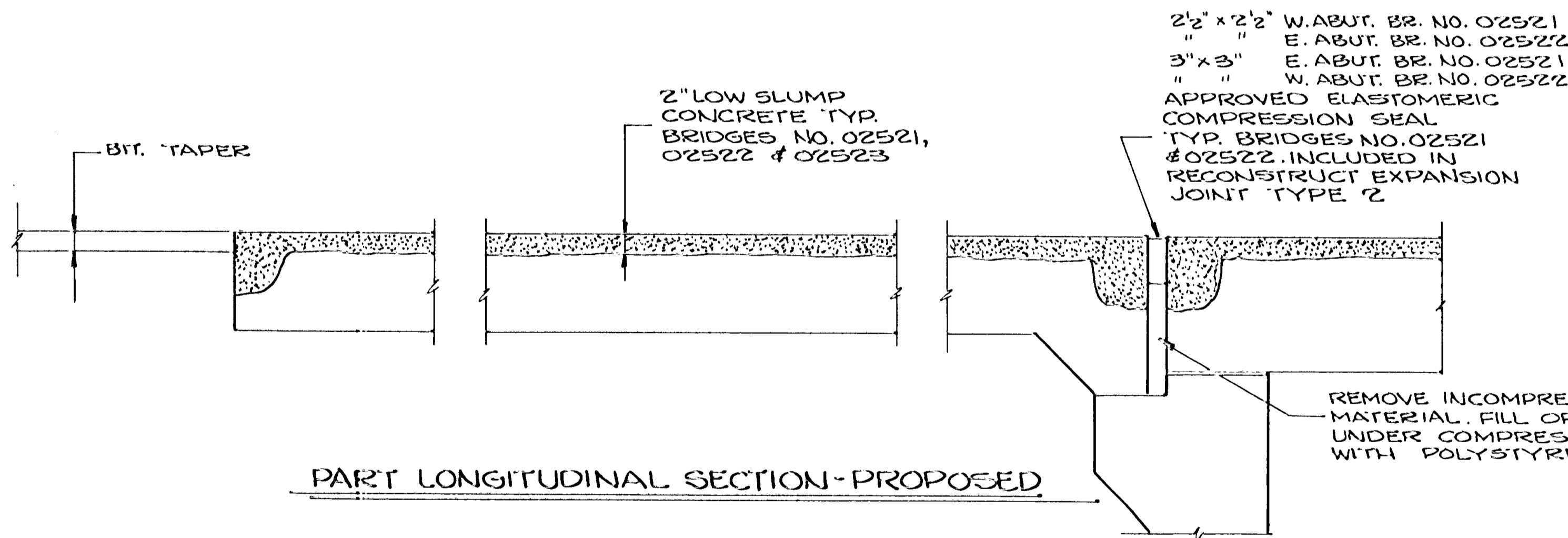
SECTION C-C



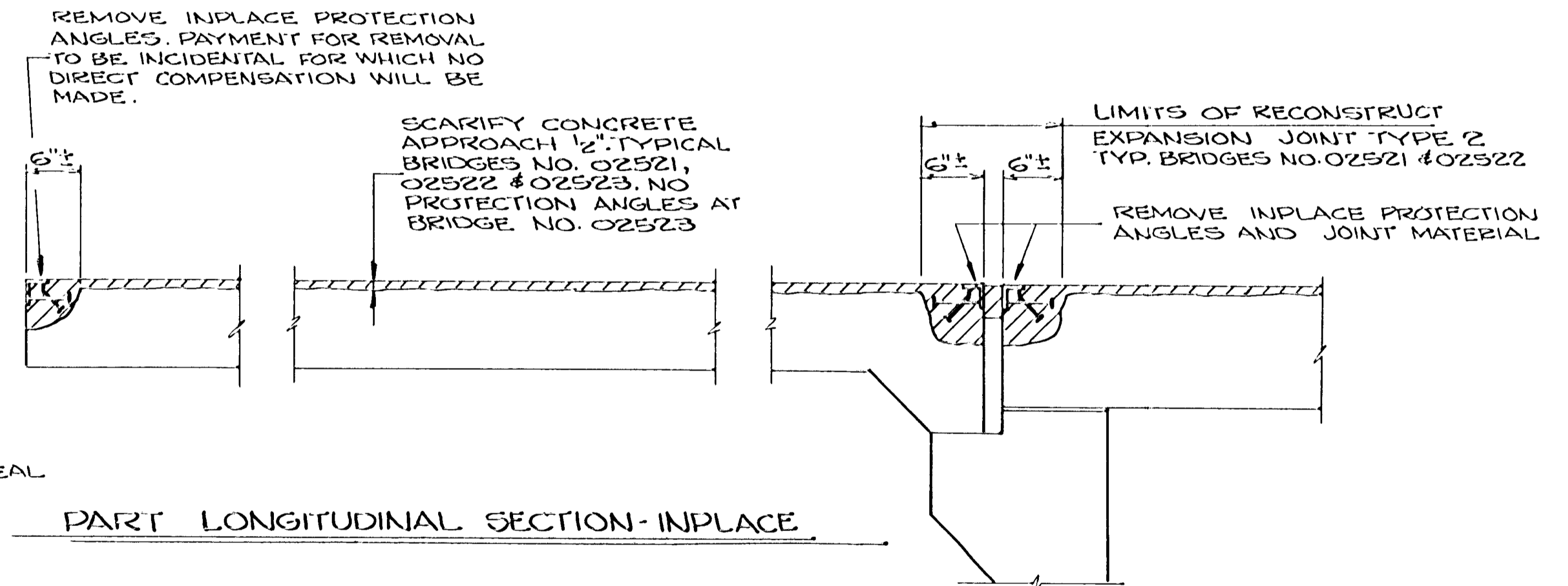
PLAN VIEW
N.W. & S.E. CORNERS
BR. NO. 02521



PLAN VIEW
N.E. & S.W. CORNERS
BR. NO. 02521 & 02522

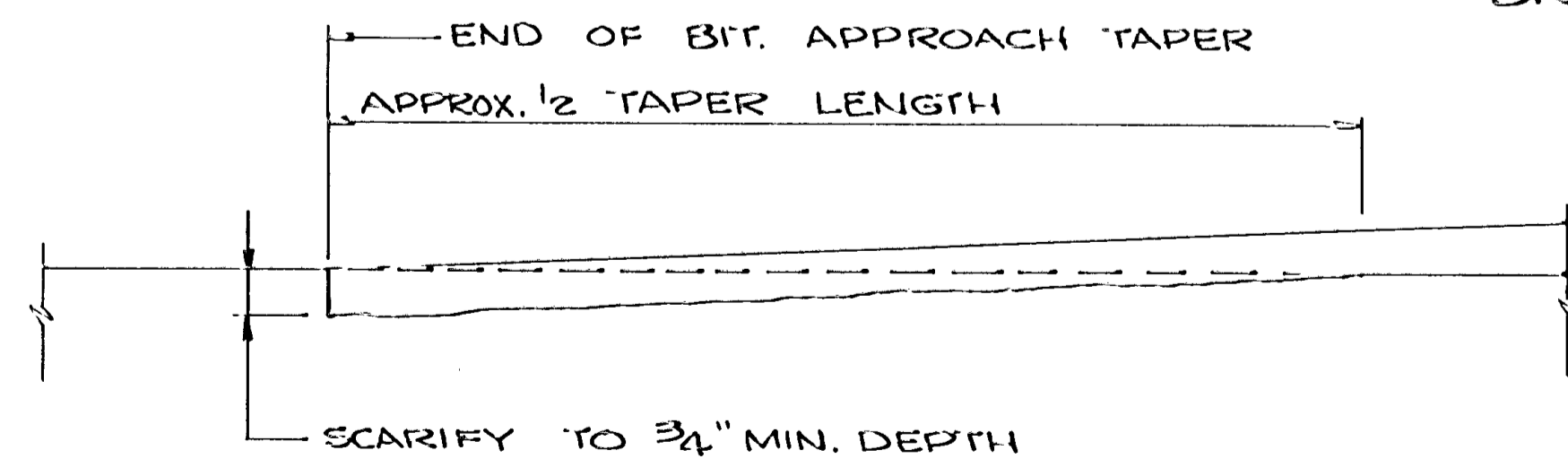


PART LONGITUDINAL SECTION - PROPOSED



PART LONGITUDINAL SECTION - INPLACE

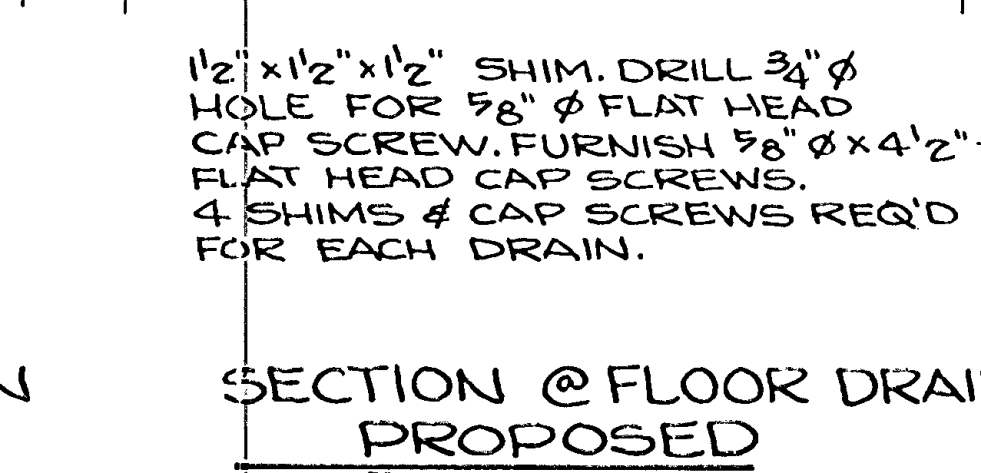
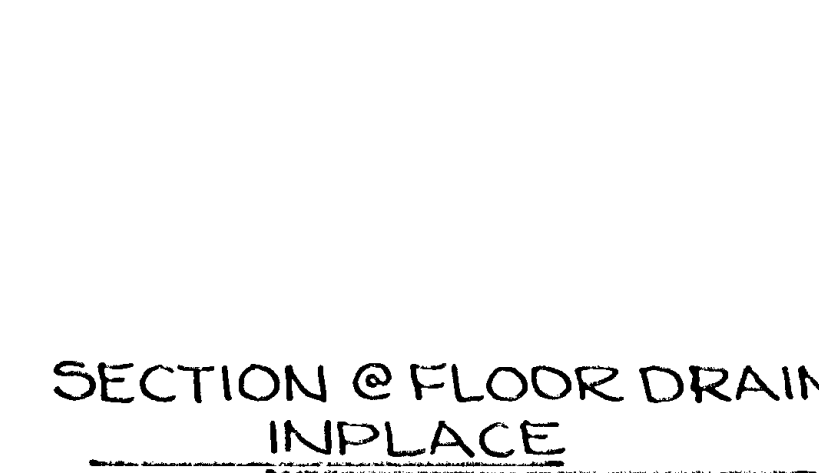
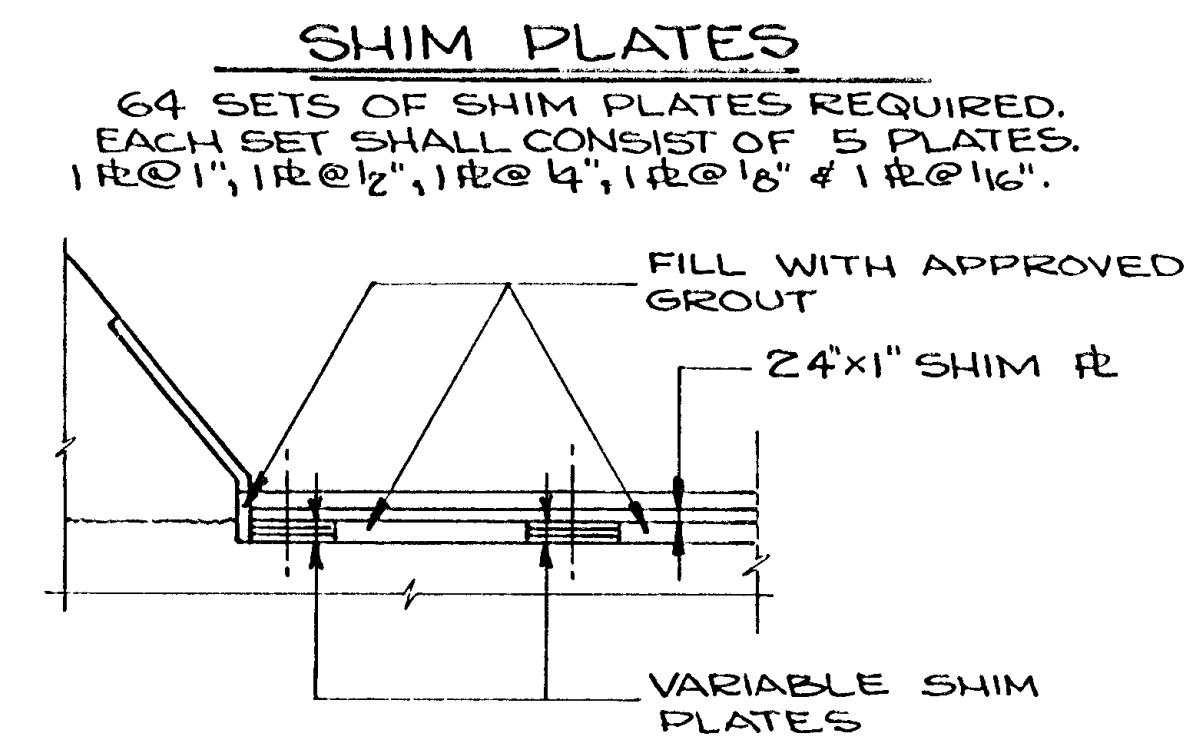
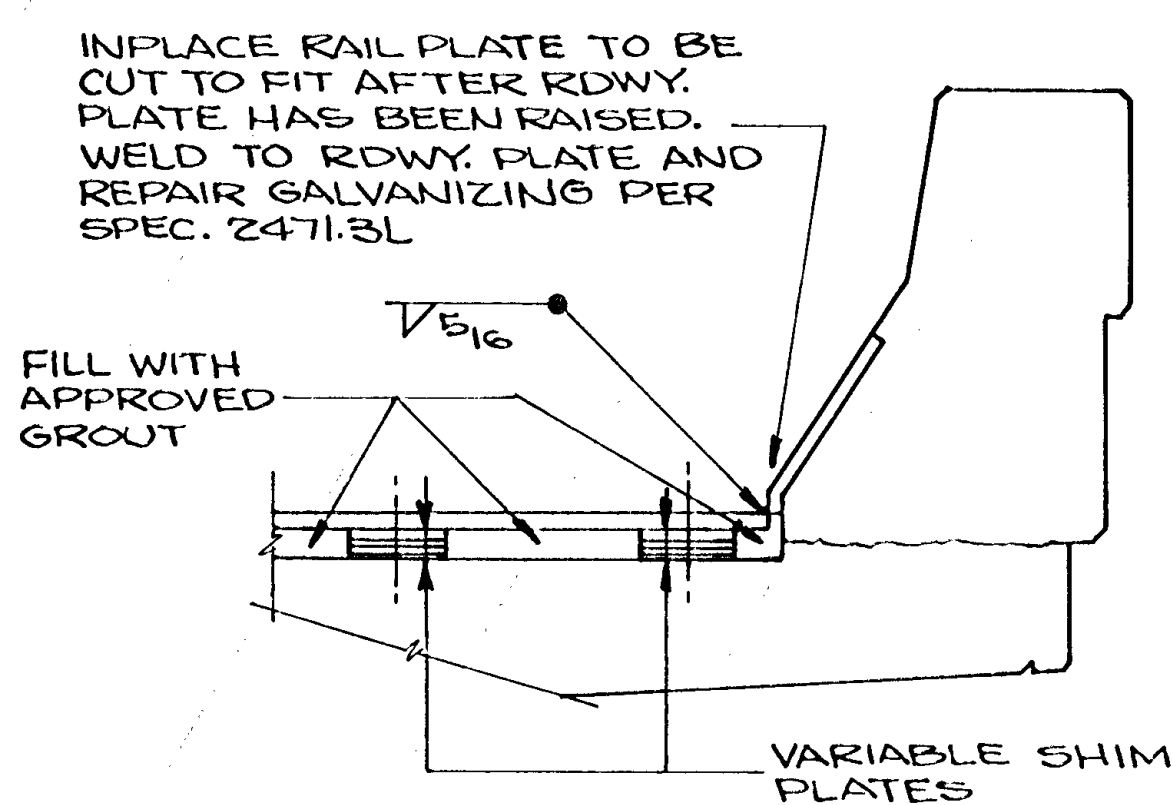
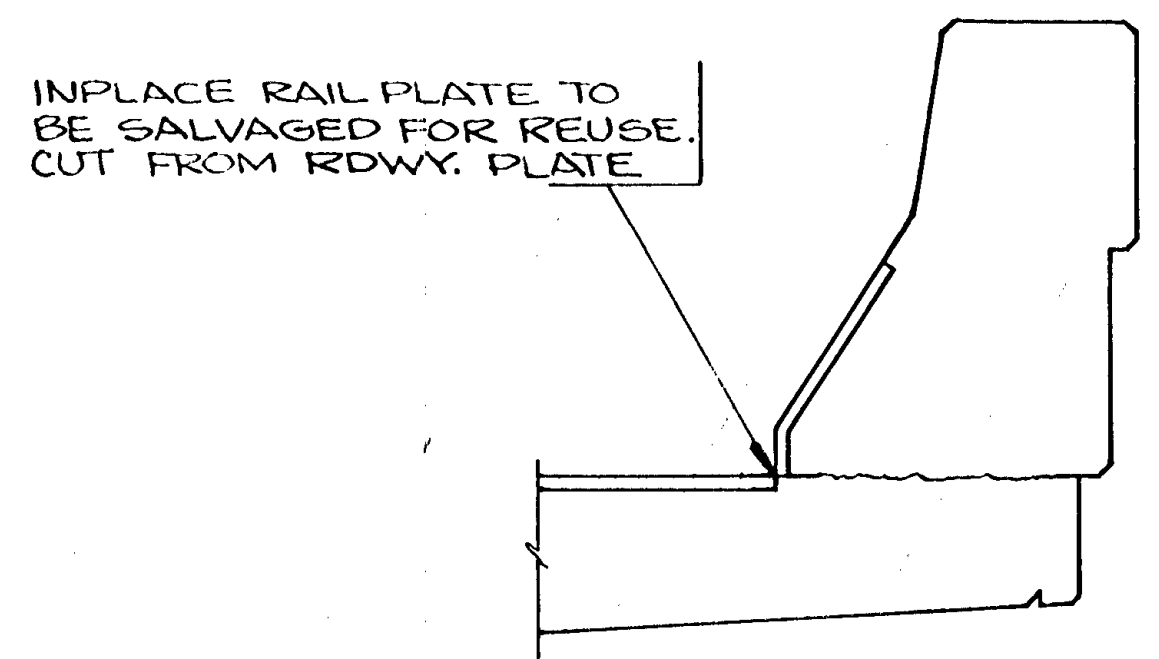
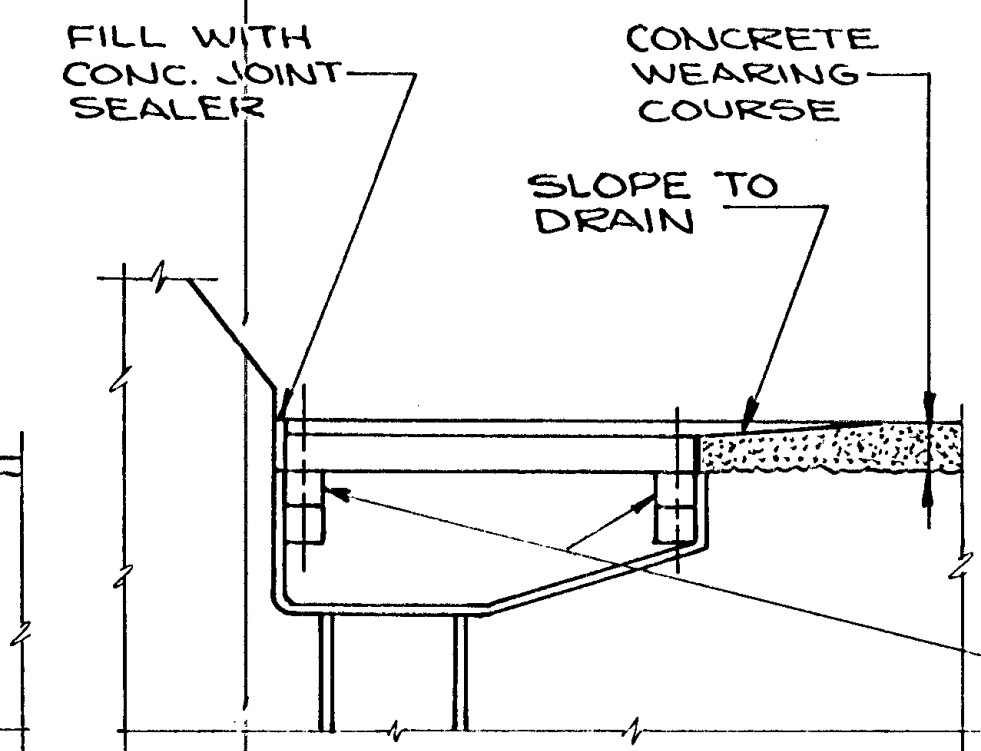
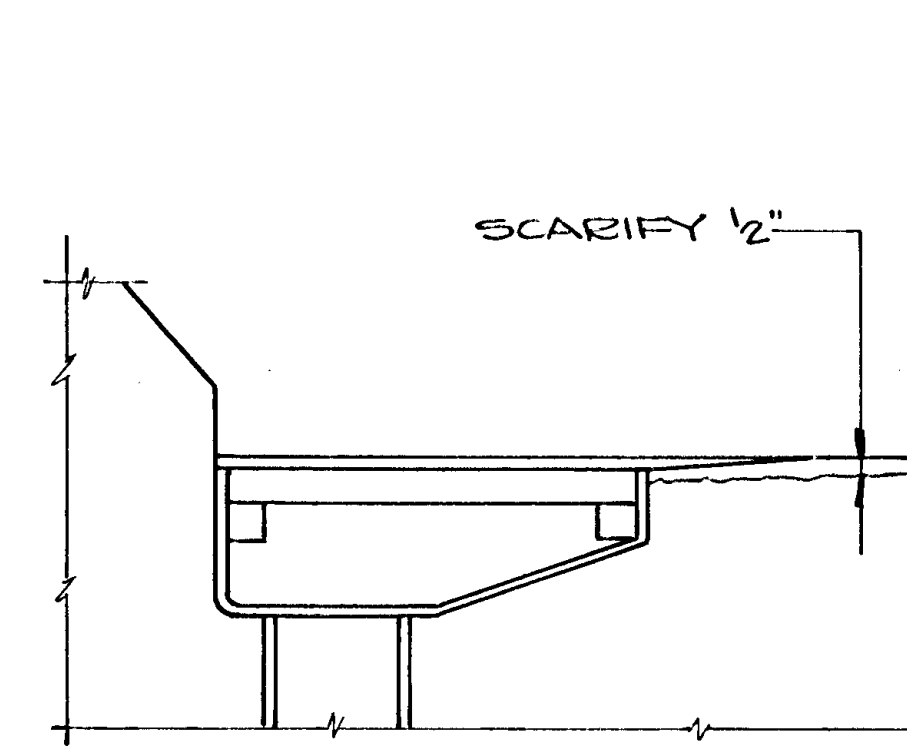
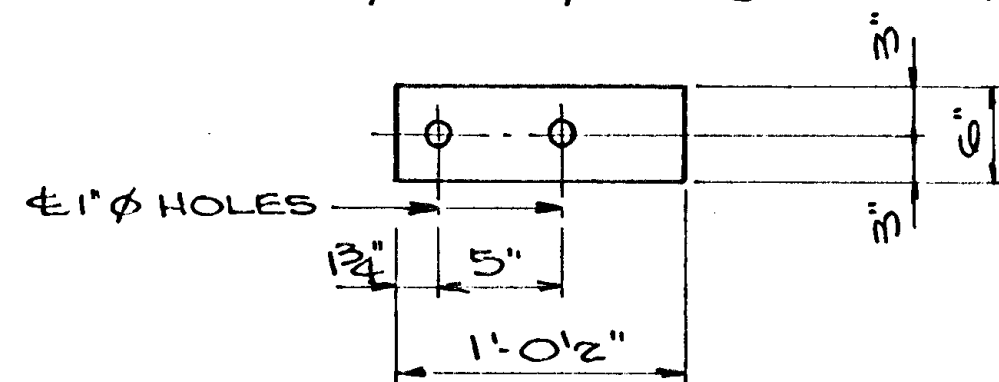
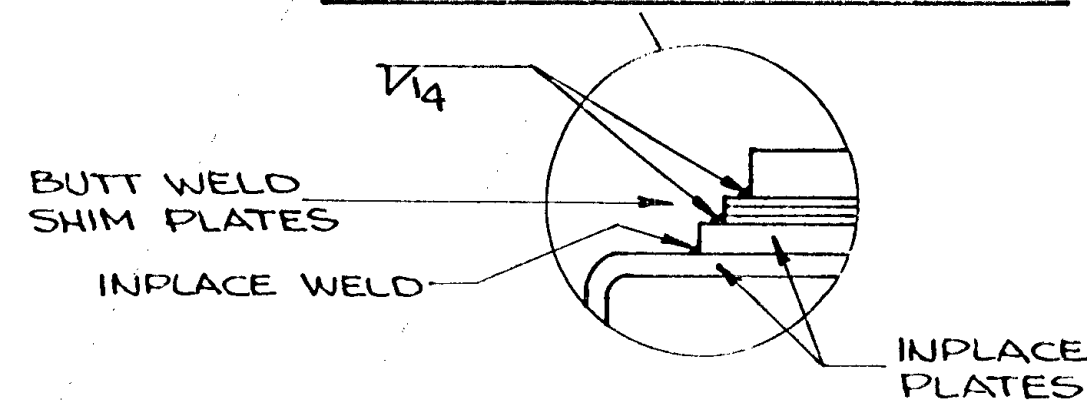
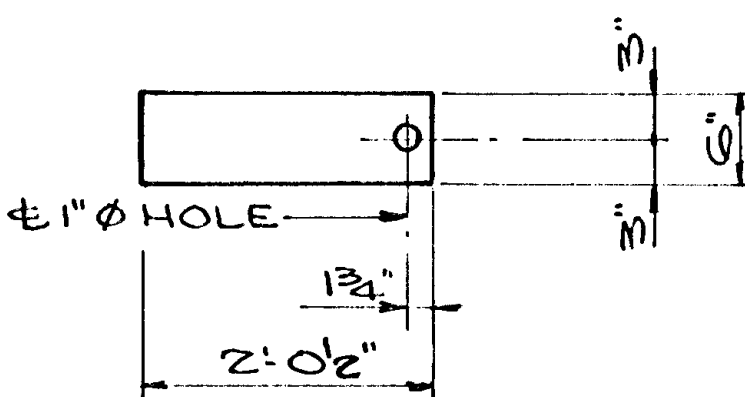
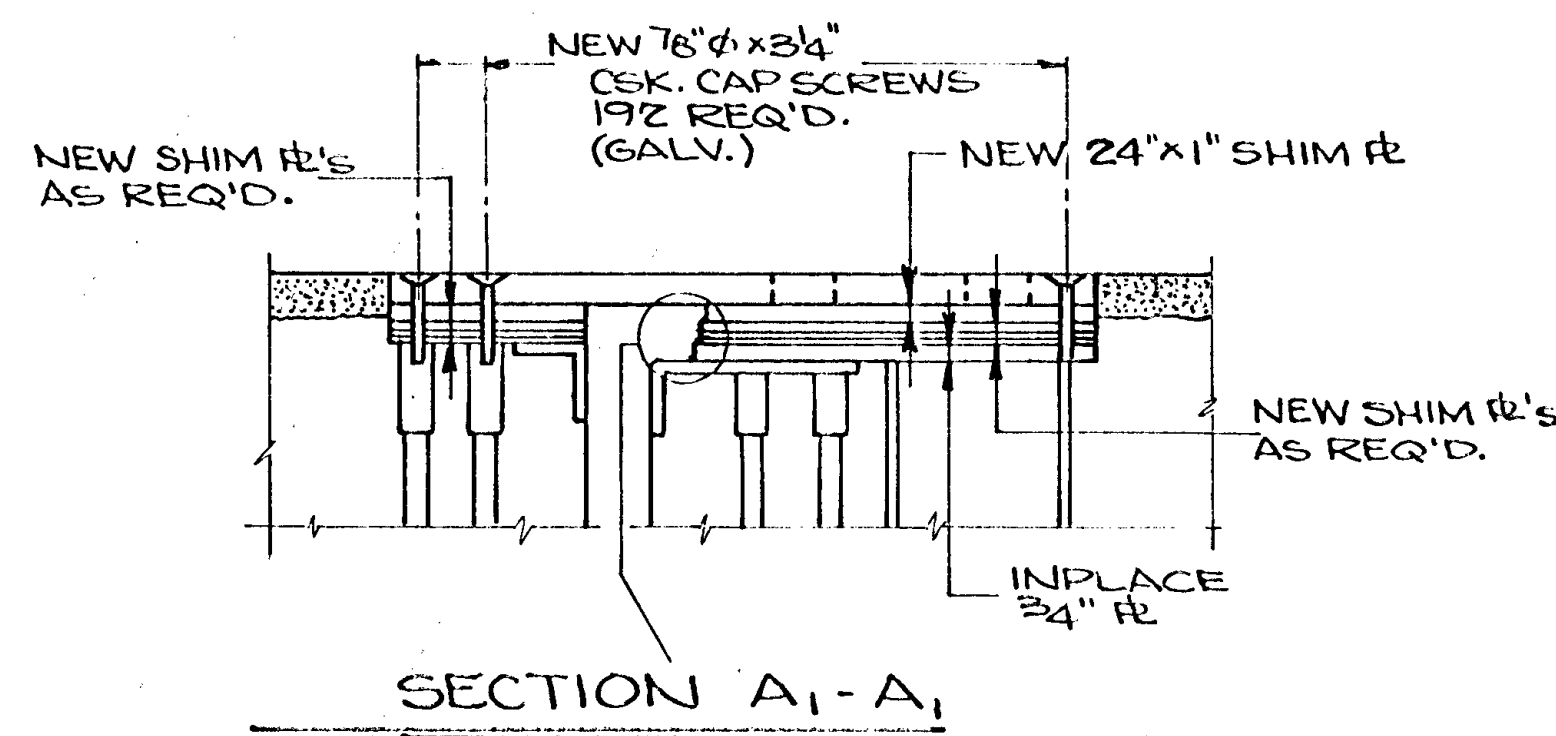
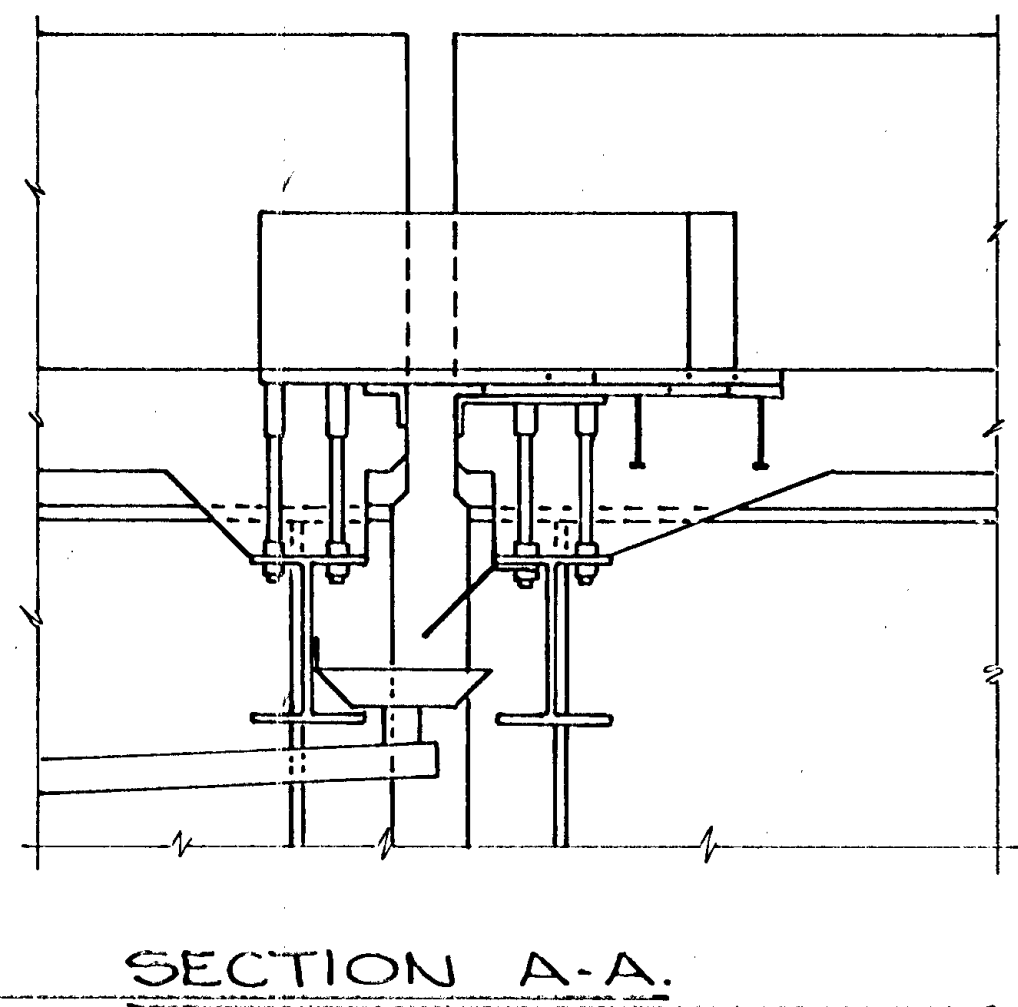
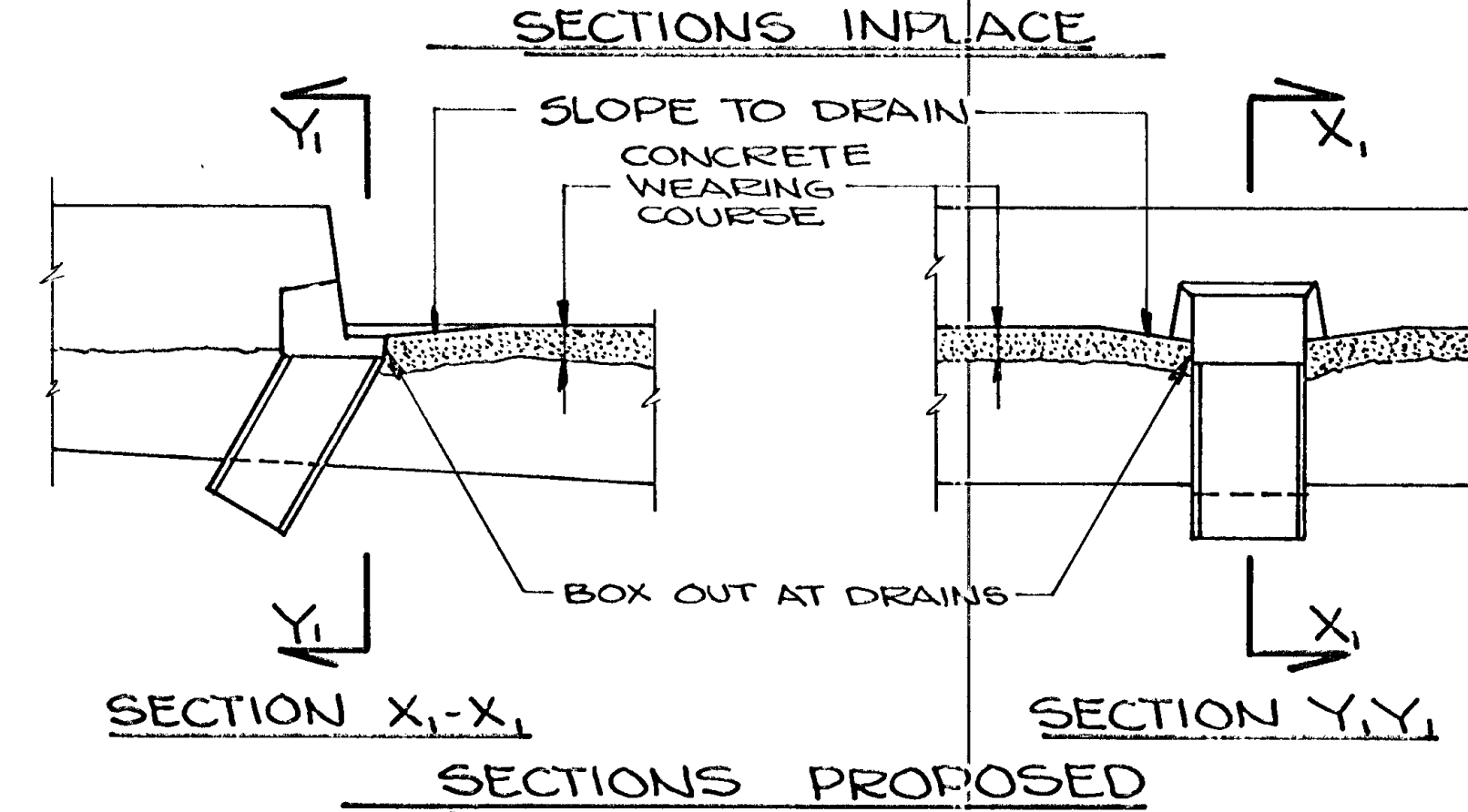
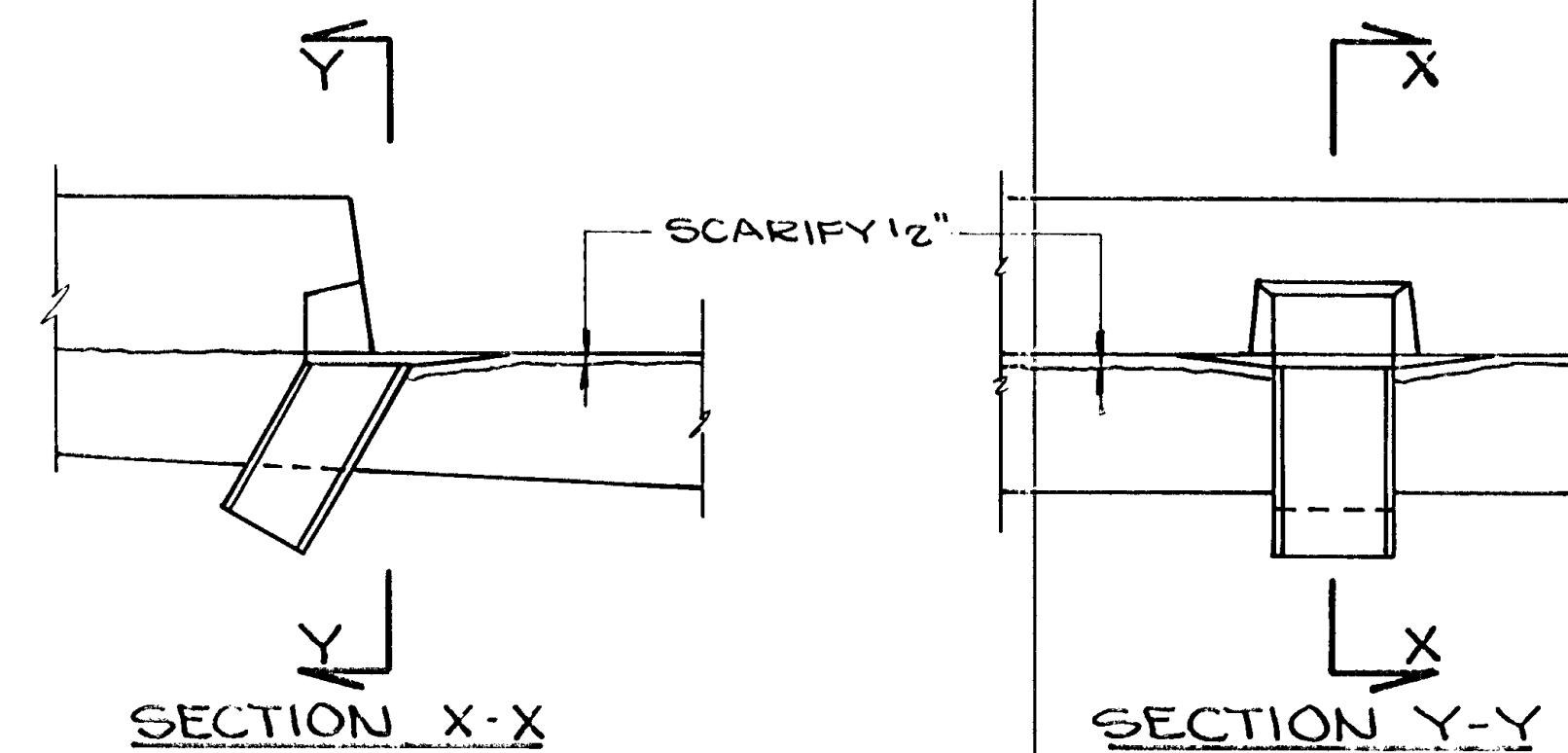
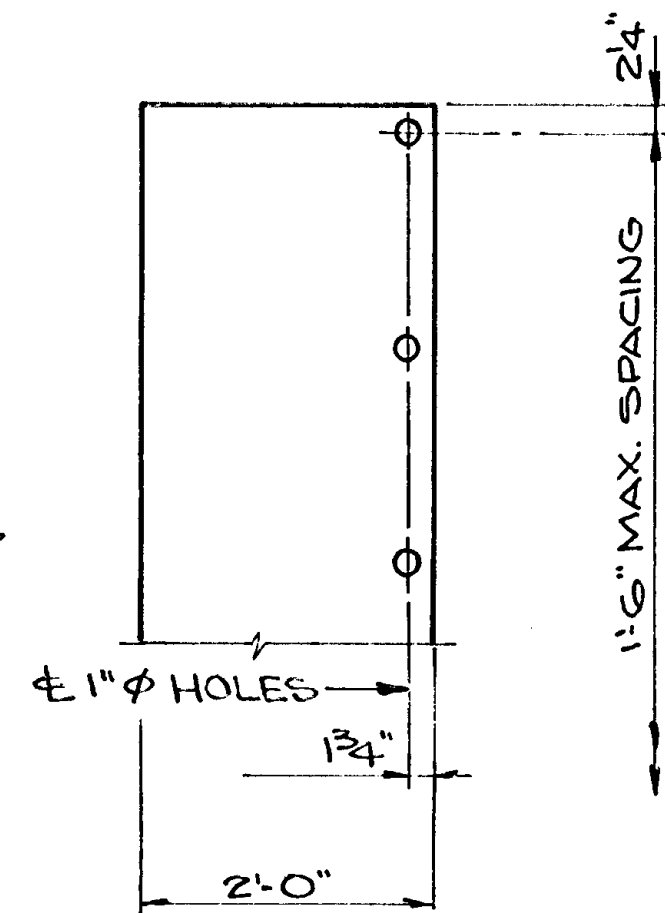
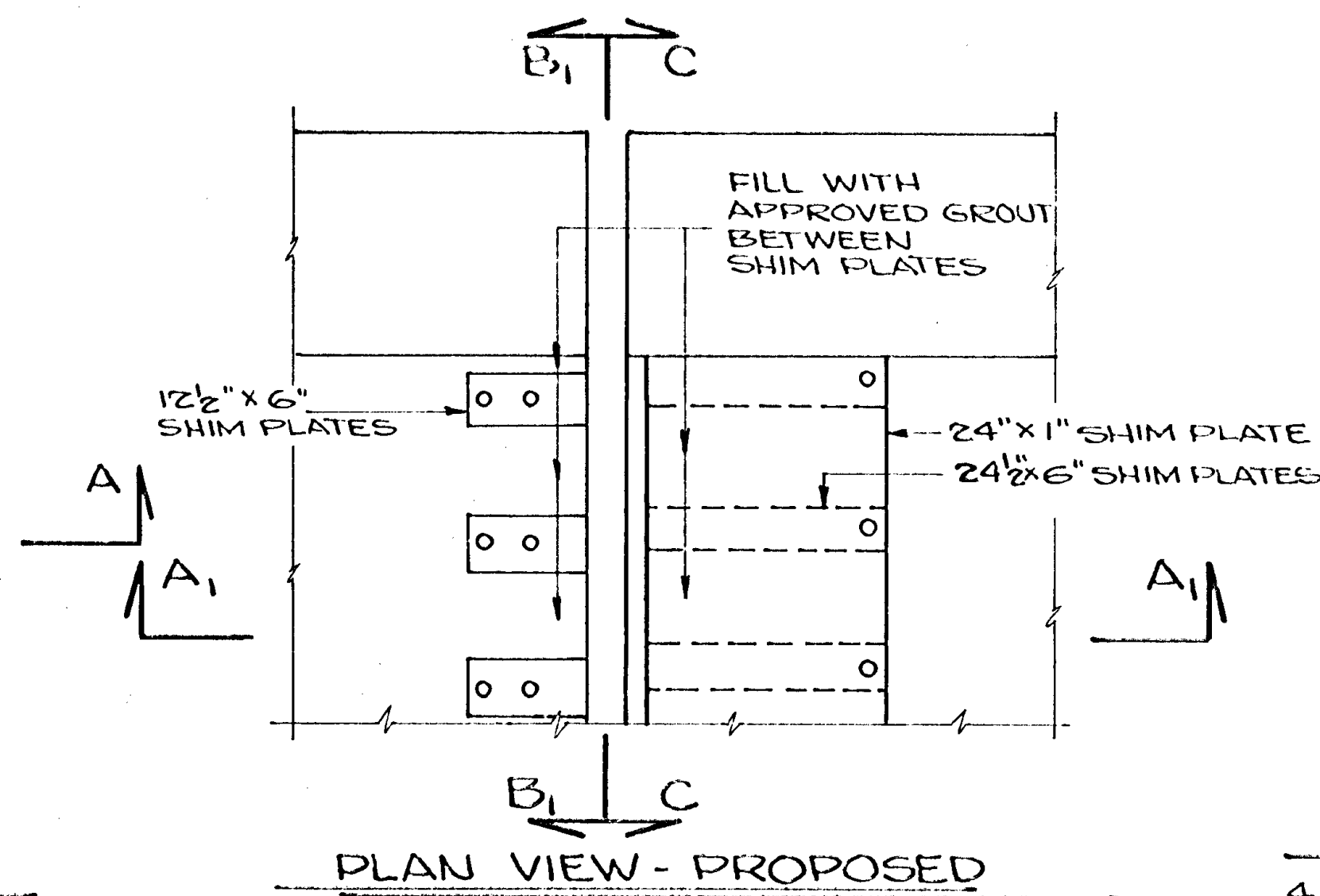
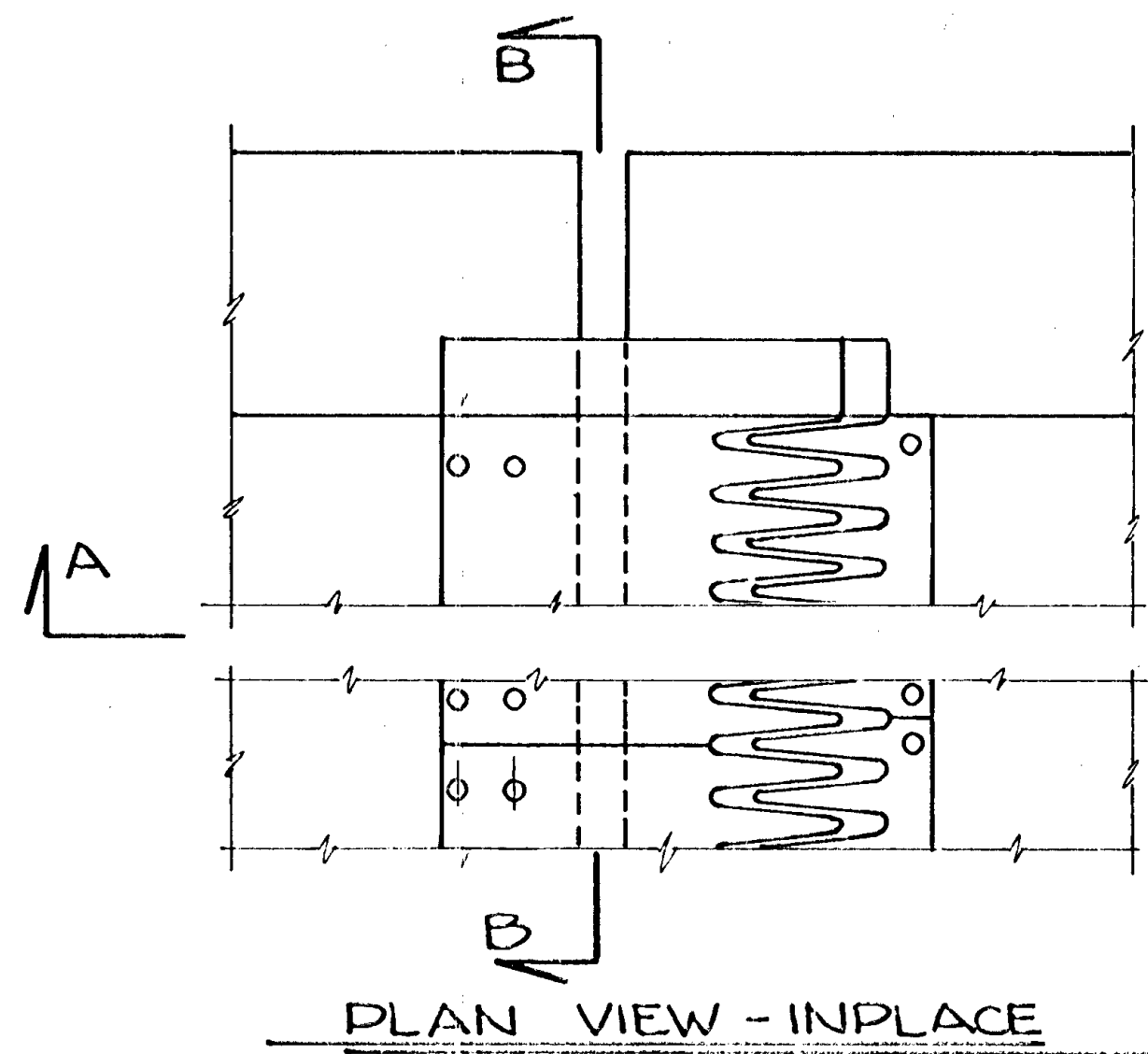
RECONSTRUCT EXPANSION JOINT TYPE 2
BRIDGES NO. 02521 & 02522



BITUMINOUS TAPER DETAIL
TYPICAL BRIDGES NO. 02501, 02521, 02522 & 02523

RECONSTRUCT EXPANSION JOINT TYPE 2 APPROACH OVERLAY & TAPER DETAILS

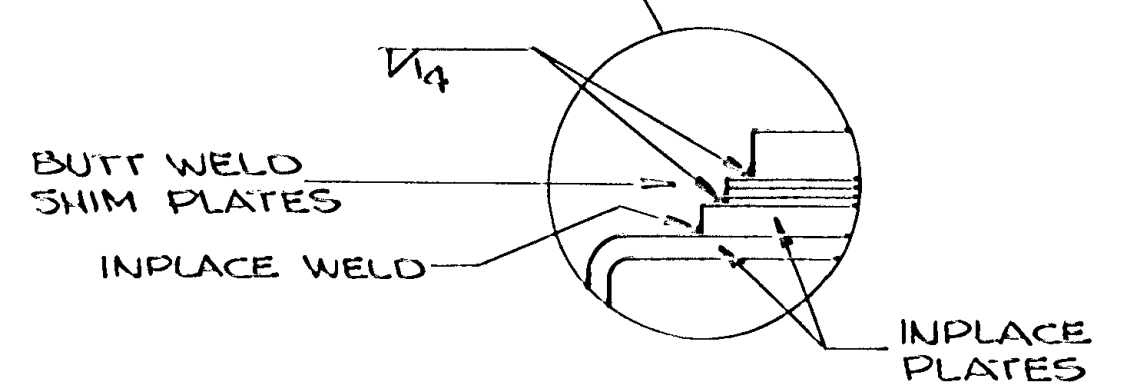
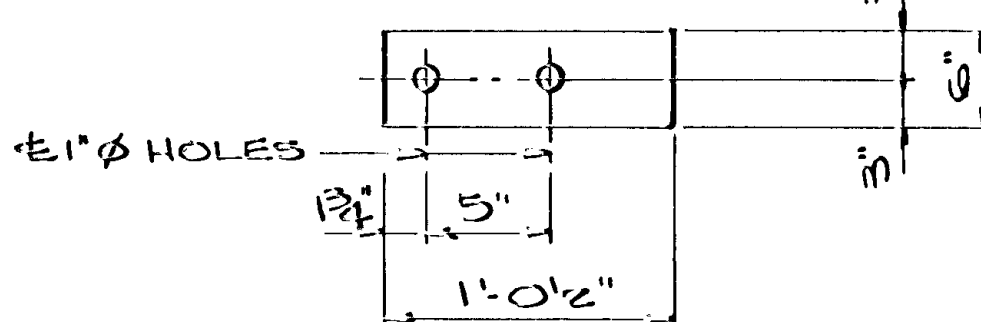
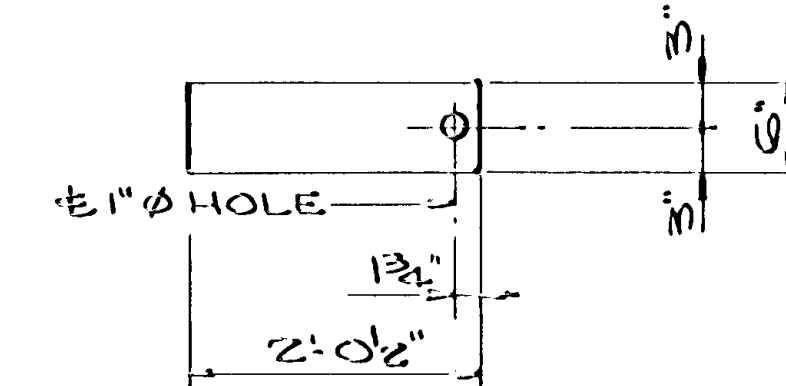
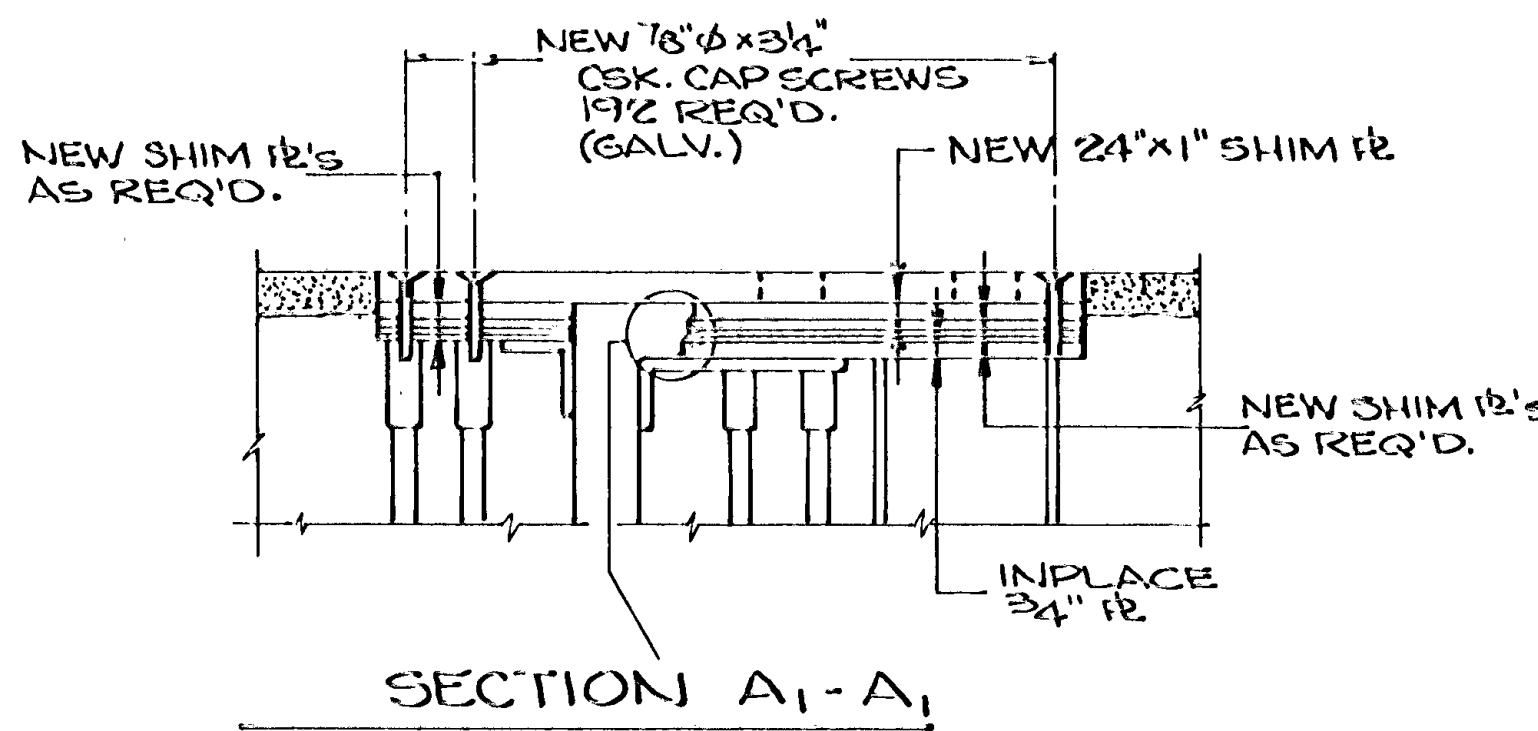
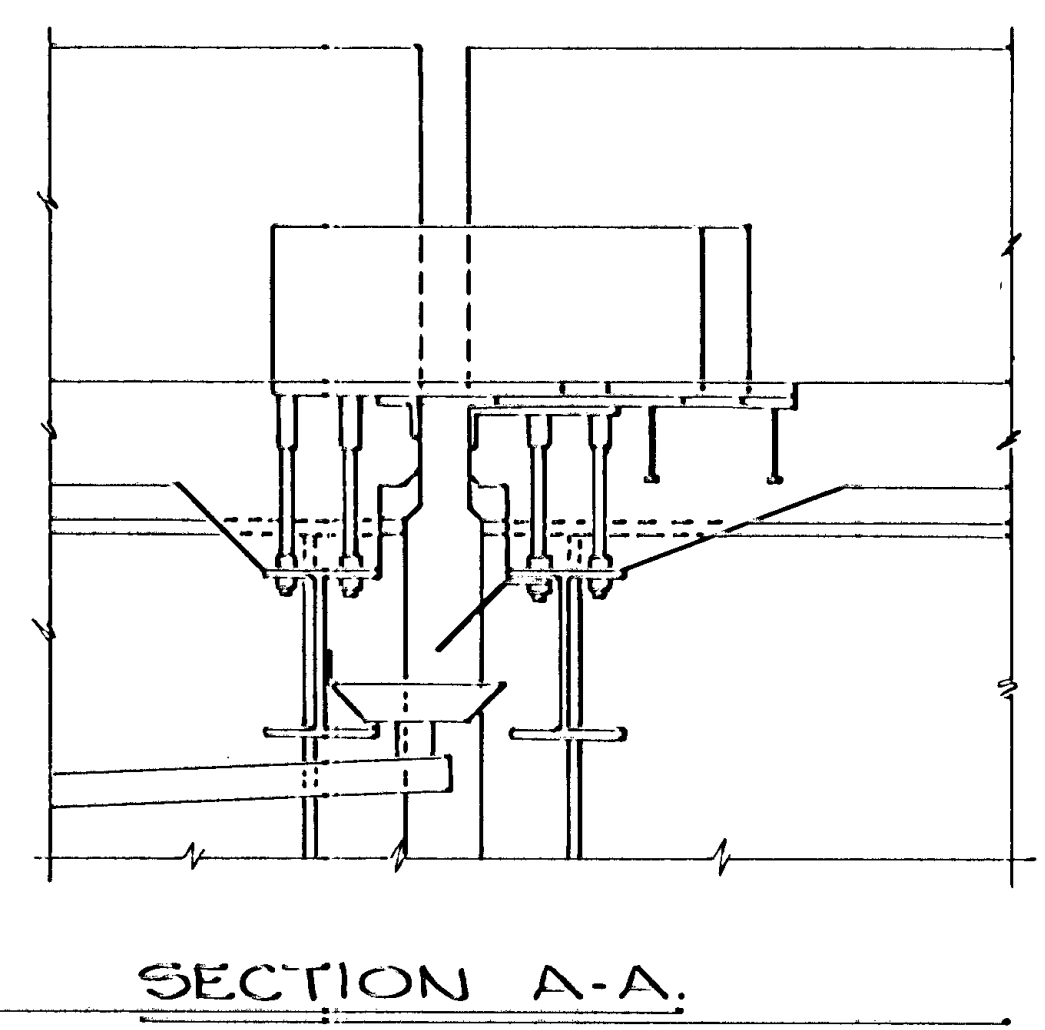
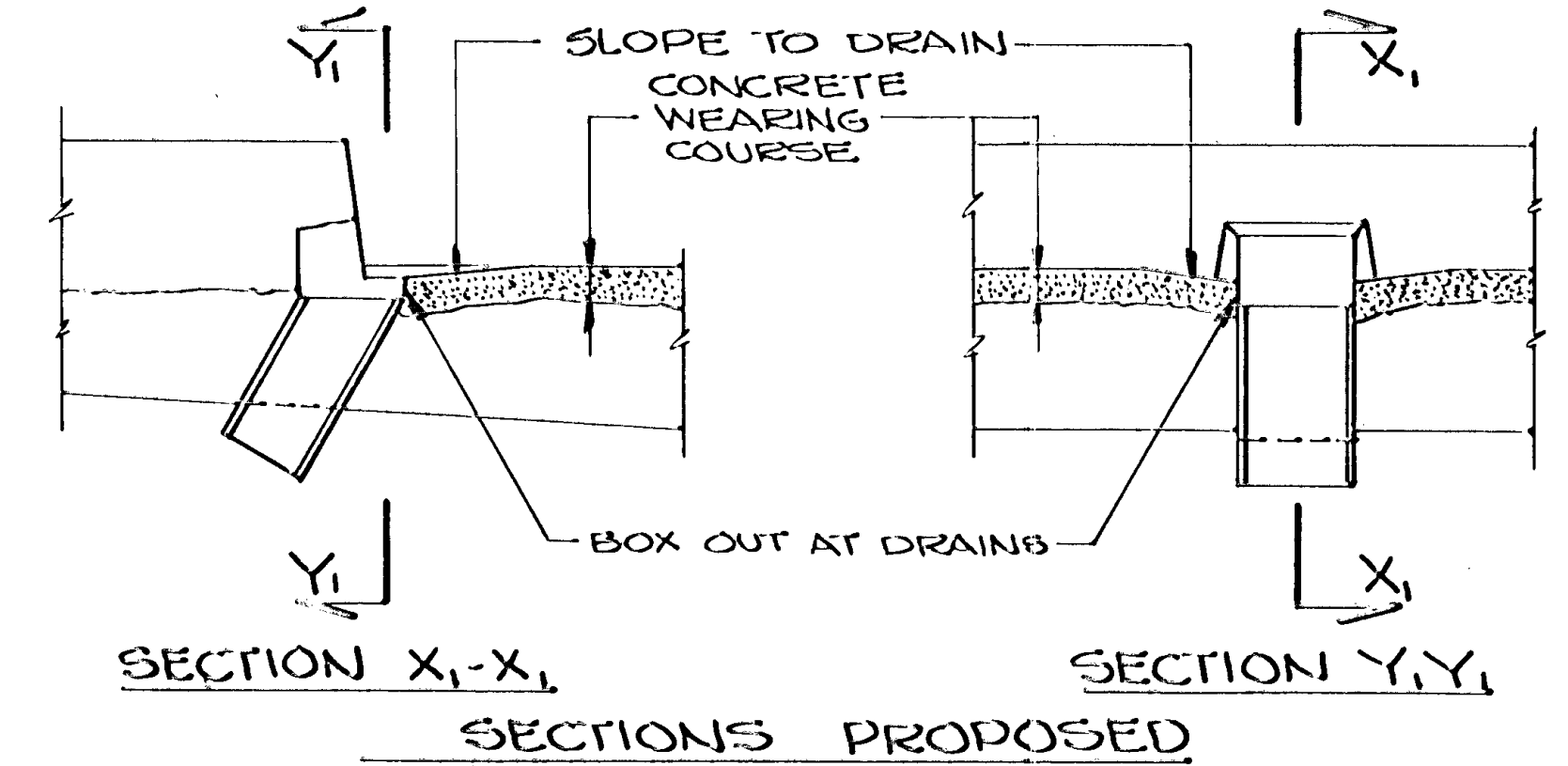
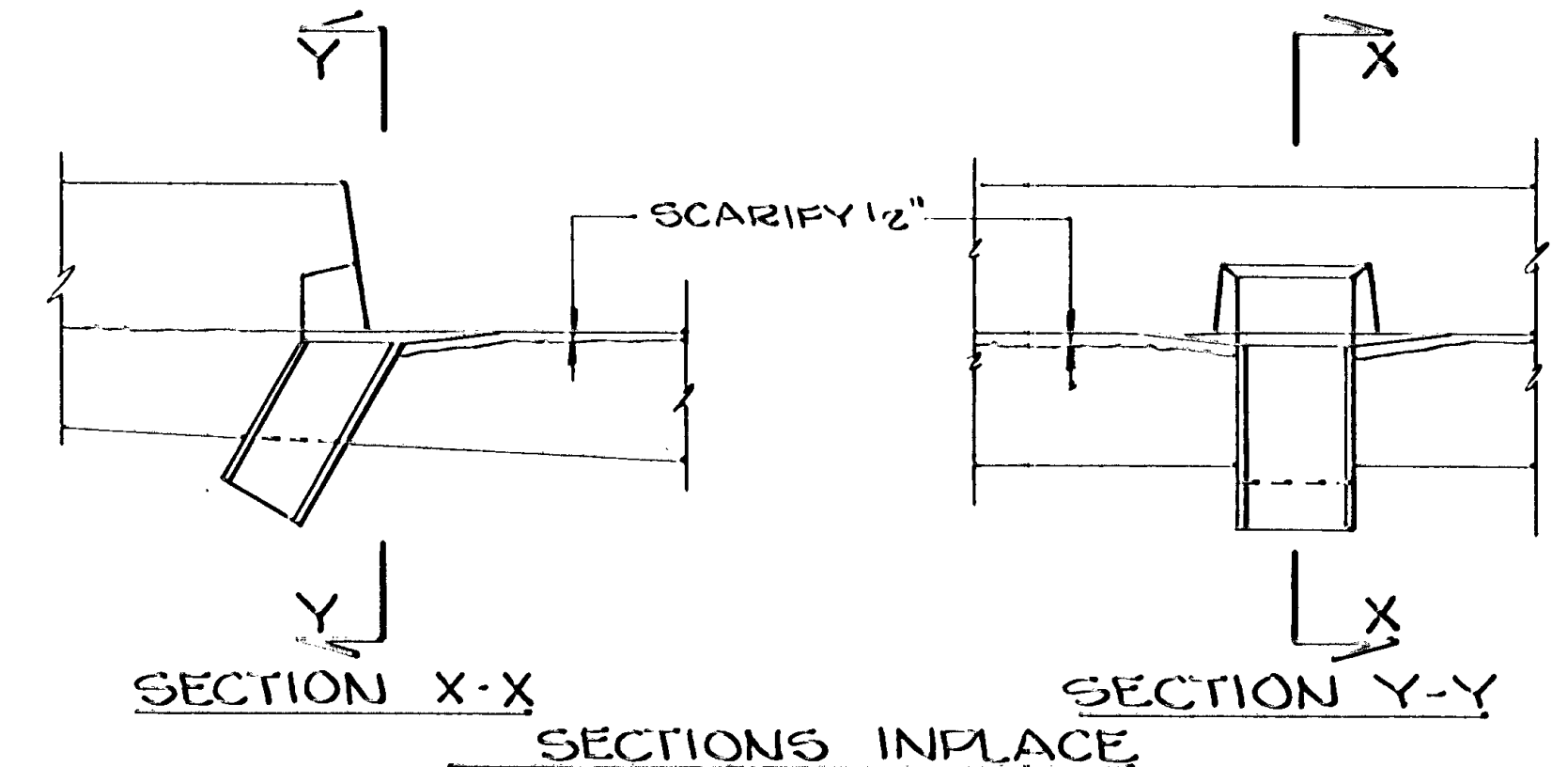
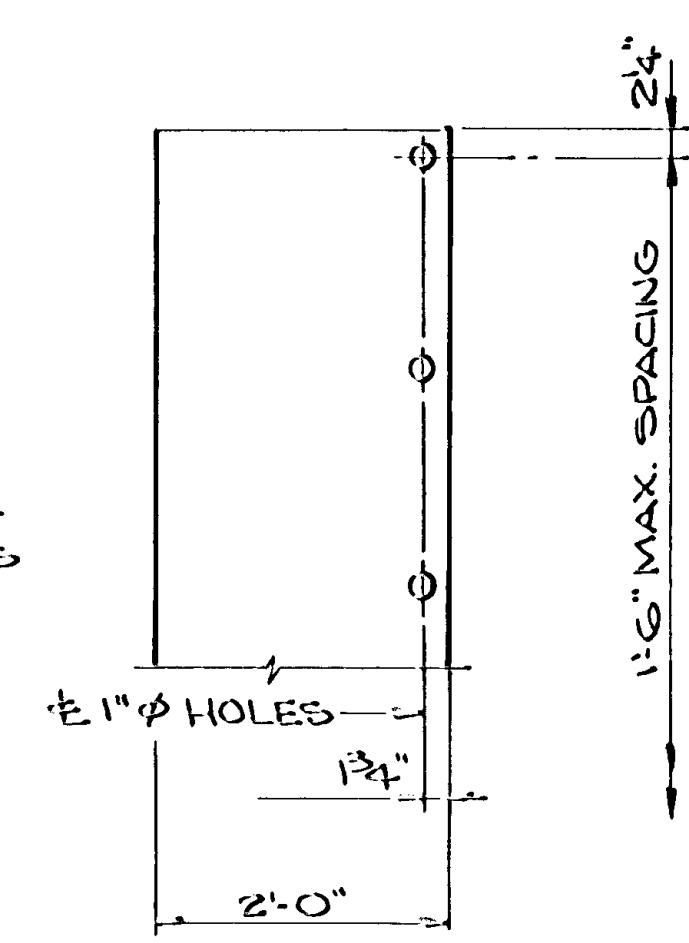
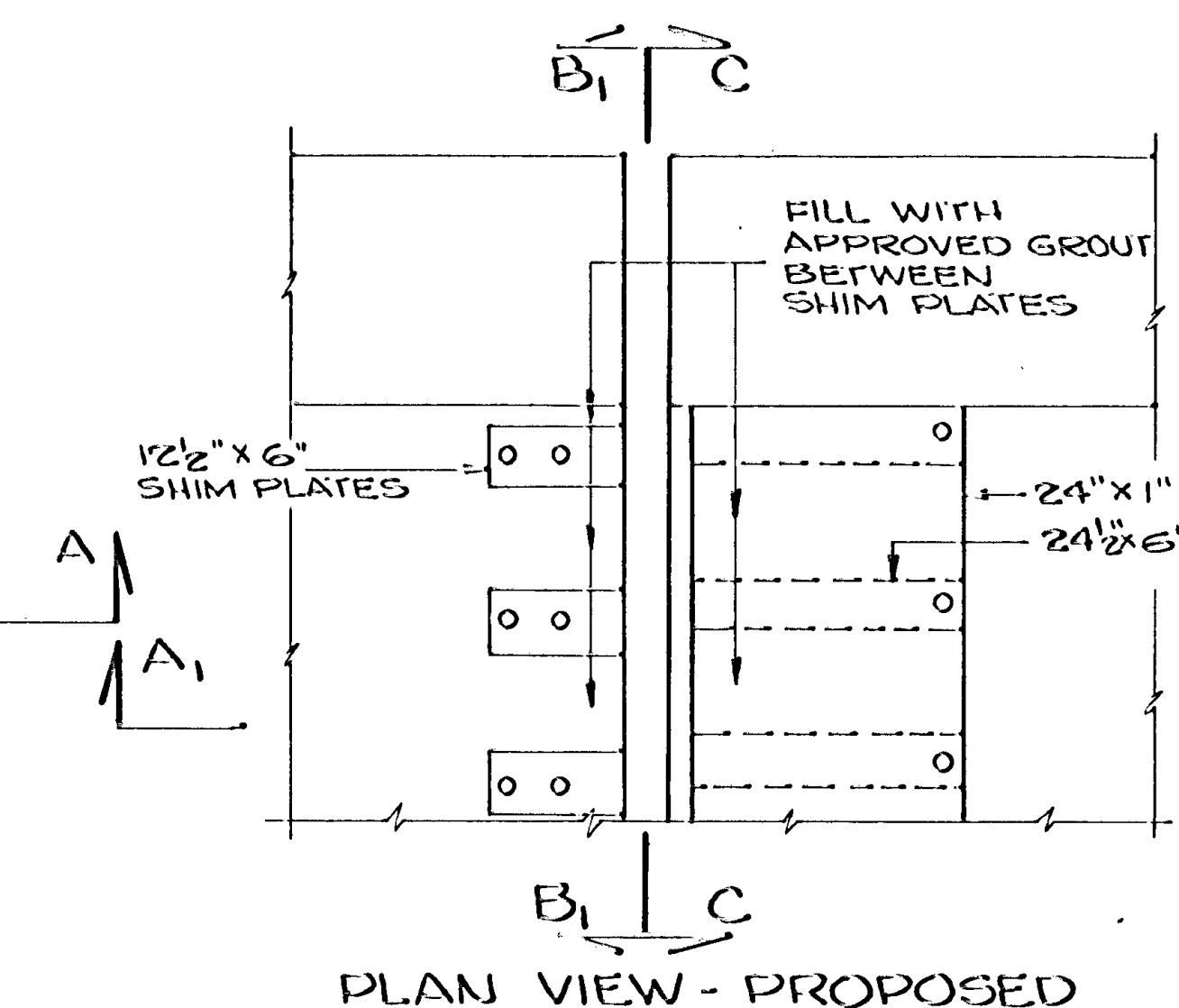
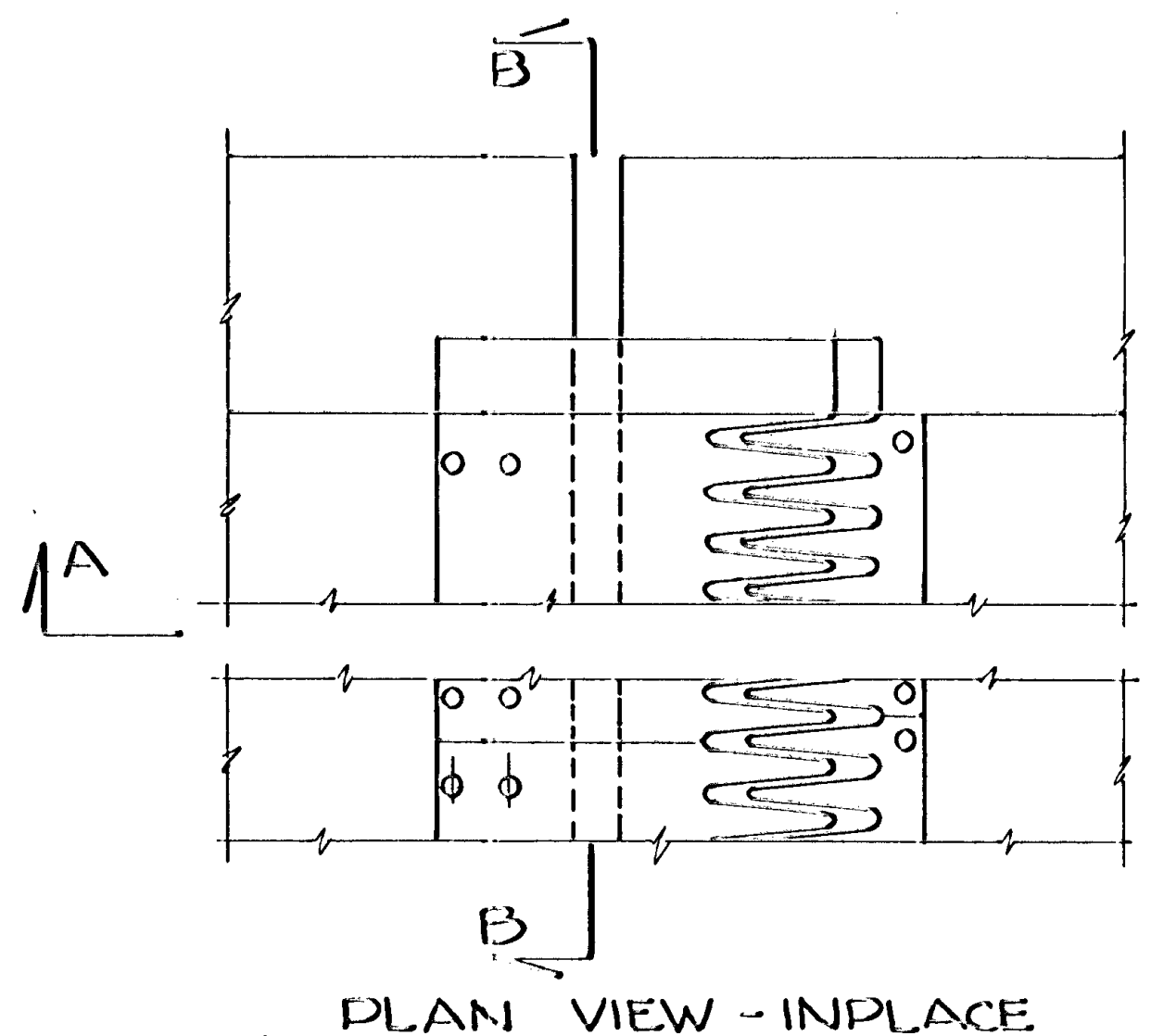
DES:	DR: R.H.	APPROVED:	BRIDGE NO. 02501 02521 02522 02523
CHK:	CHK:	SHEET NO. 7 of 10 SHEETS	



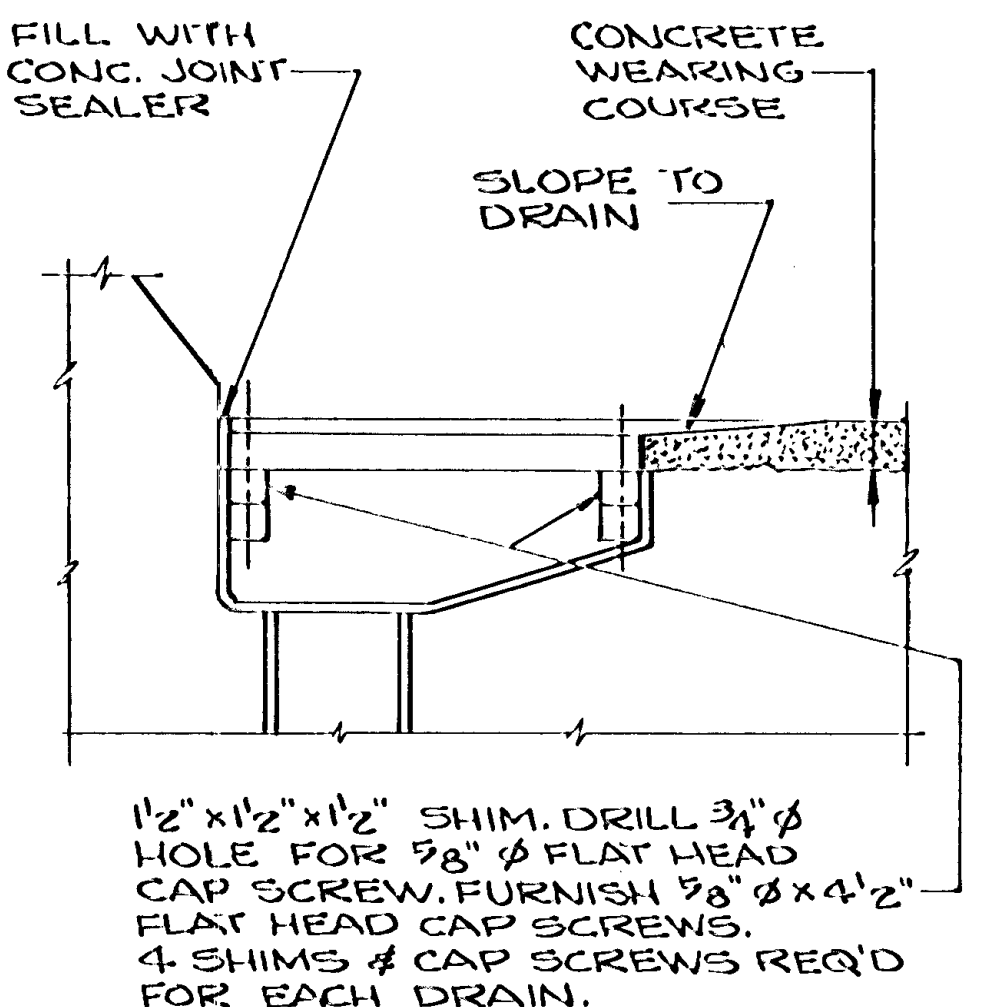
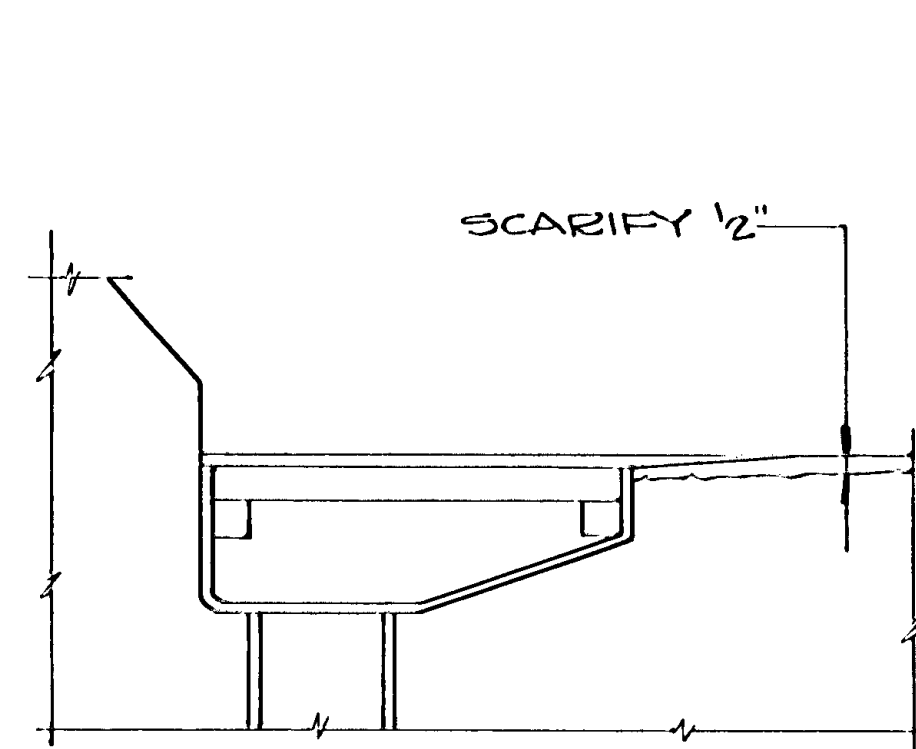
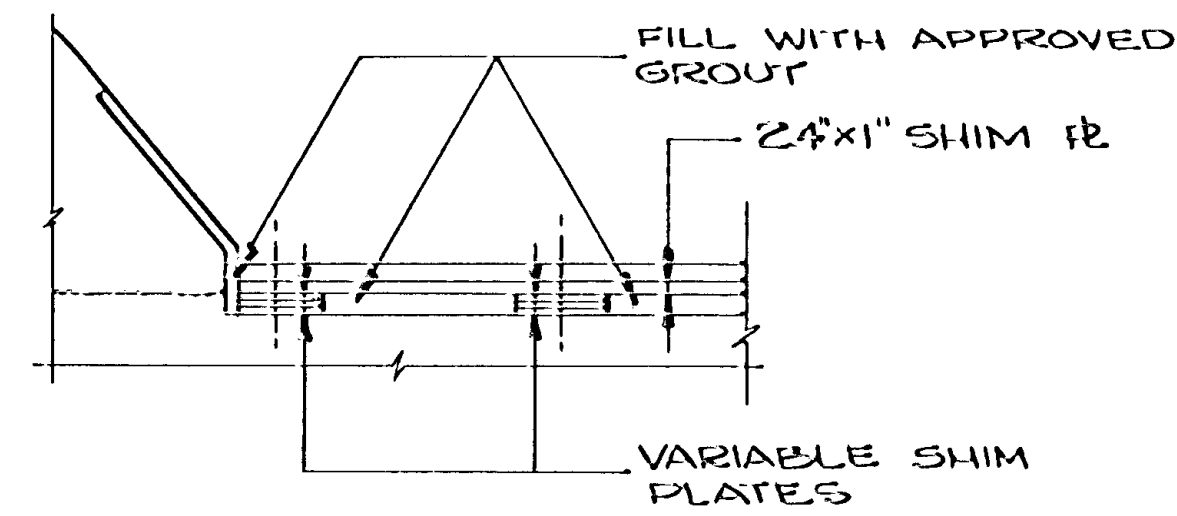
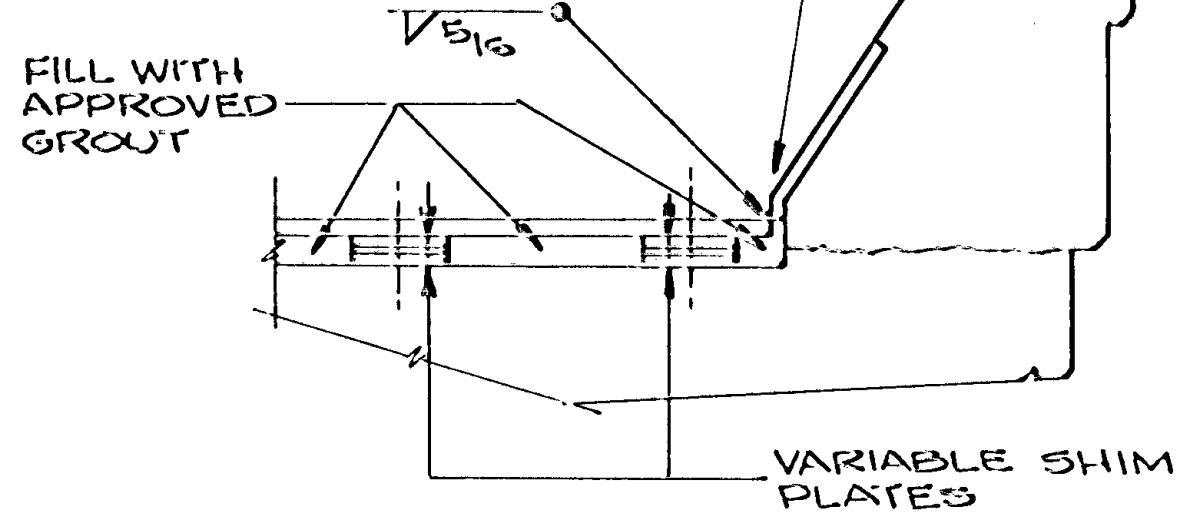
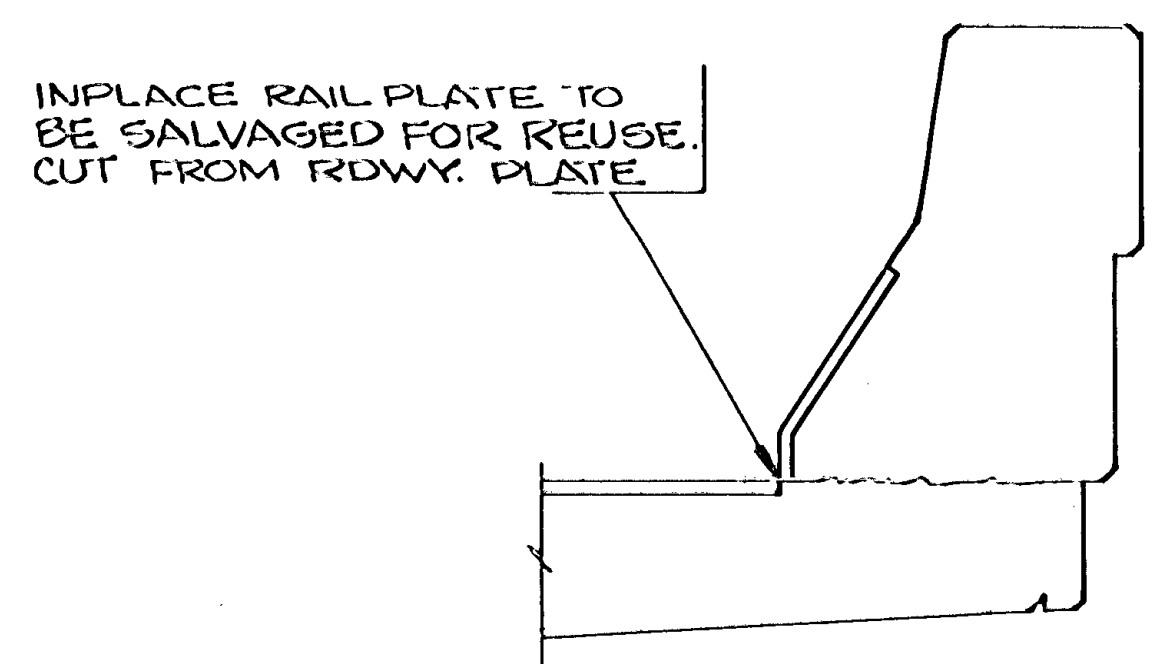
RECONSTRUCT EXPANSION JOINT TYPE 3
BRIDGE NO. 02523

ALL NEW PLATES SHALL COMPLY WITH SPEC. 3306. GALVANIZE PER SPEC. 3394. SHIM PLATES NOT USED SHALL BECOME PROPERTY OF THE COUNTY. SHIM PLATES & NEW BOLTS ARE INCLUDED IN PRICE BID FOR RECONSTRUCT EXPANSION JOINT TYPE 3

RECONSTRUCT EXPANSION JOINT TYPE 3 DRAIN DETAILS	DES:	DR: R.H.	APPROVED:	BRIDGE NO. 02523 02501
	CHK:	CHK:		
	SHEET NO.	8 of 10 SHEETS		



INPLACE RAIL PLATE TO BE CUT TO FIT AFTER RDWY. PLATE HAS BEEN RAISED. WELD TO RDWY. PLATE AND REPAIR GALVANIZING PER SPEC. 2471.3L

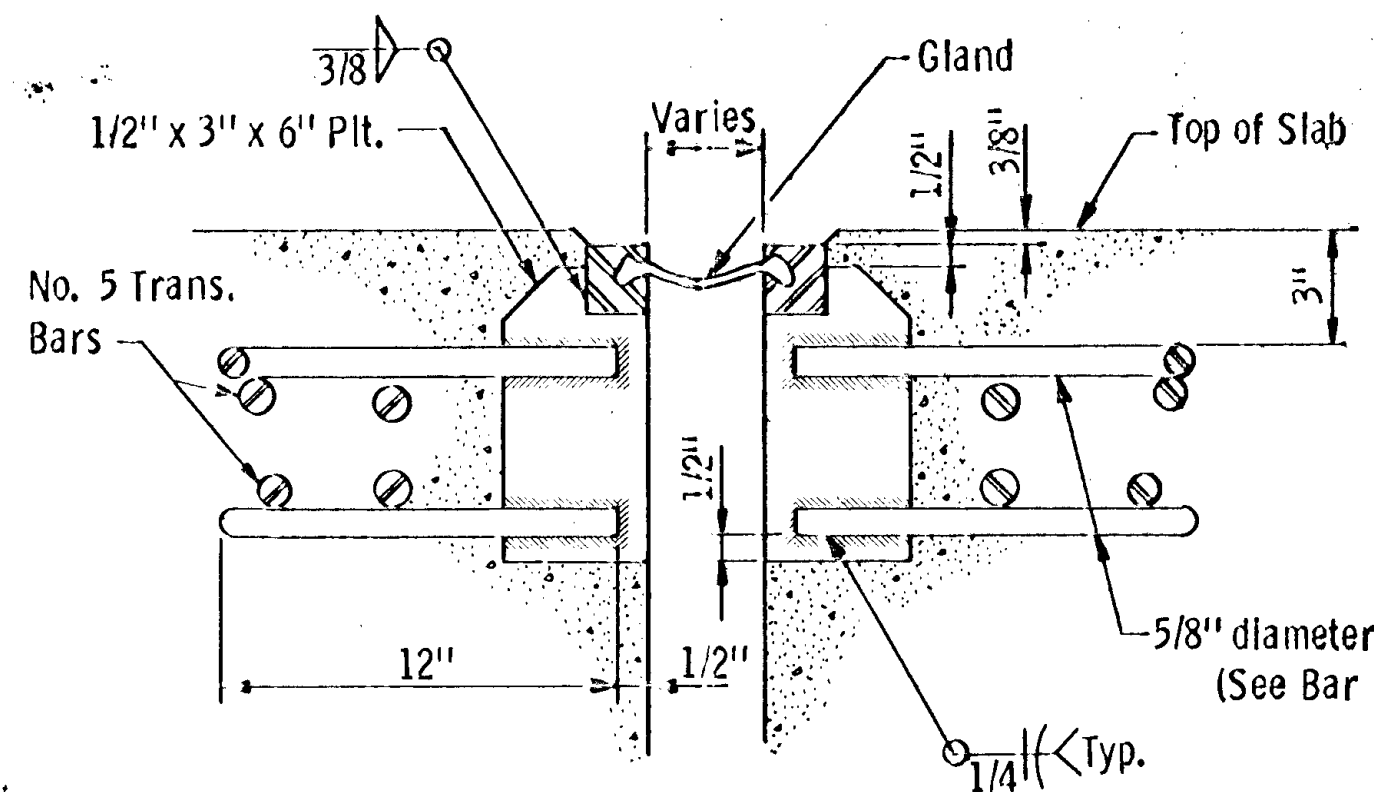


FLOOR DRAIN DETAILS for BRIDGE NO. 02523

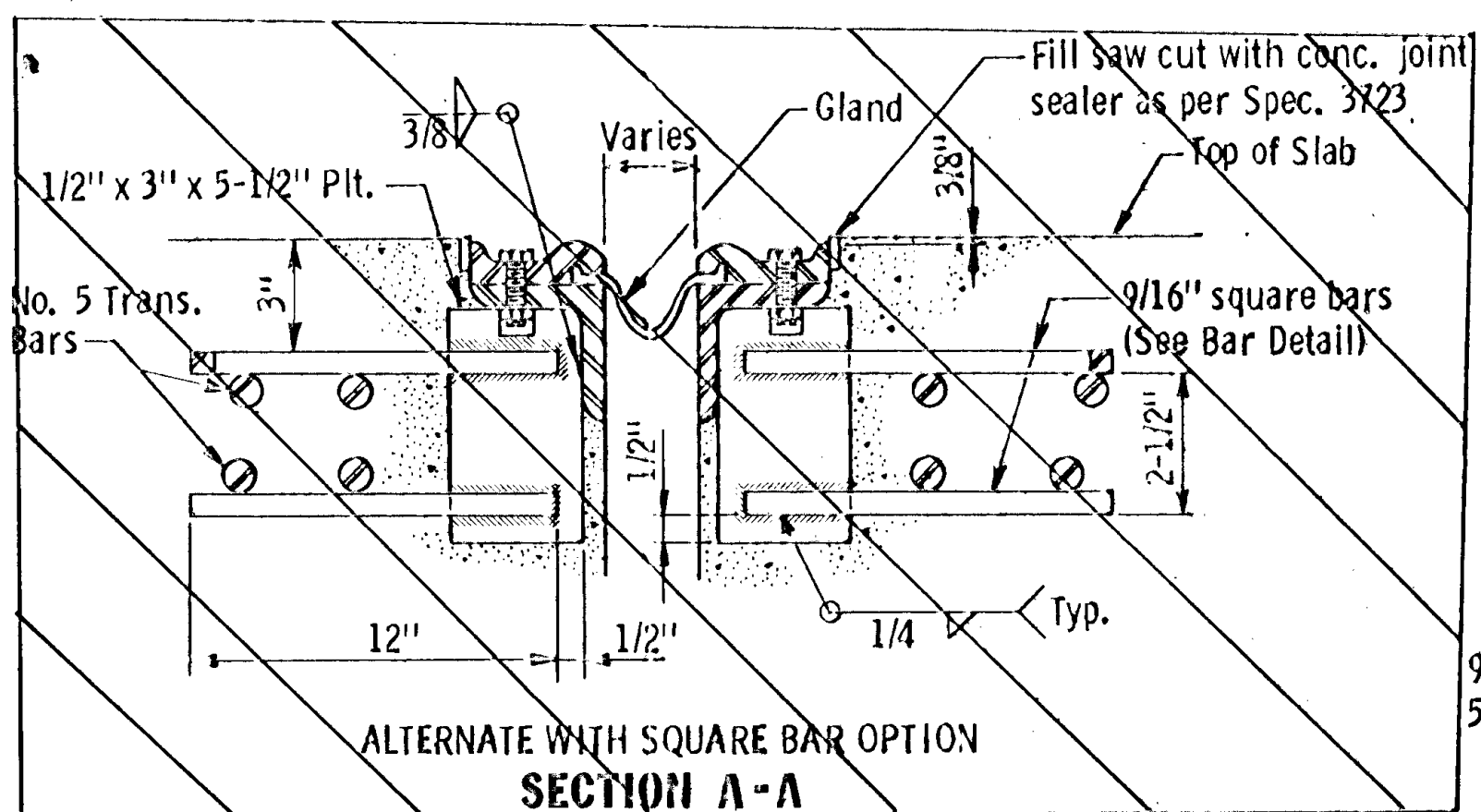
ALL NEW PLATES SHALL COMPLY WITH SPEC. 3306. GALVANIZE PER SPEC. 3394. SHIM PLATES NOT USED SHALL BECOME PROPERTY OF THE COUNTY. SHIM PLATES & NEW BOLTS ARE INCLUDED IN PRICE BID FOR RECONSTRUCT EXPANSION JOINT TYPE 3

RECONSTRUCT EXPANSION JOINT TYPE 3
BRIDGE NO. 02523

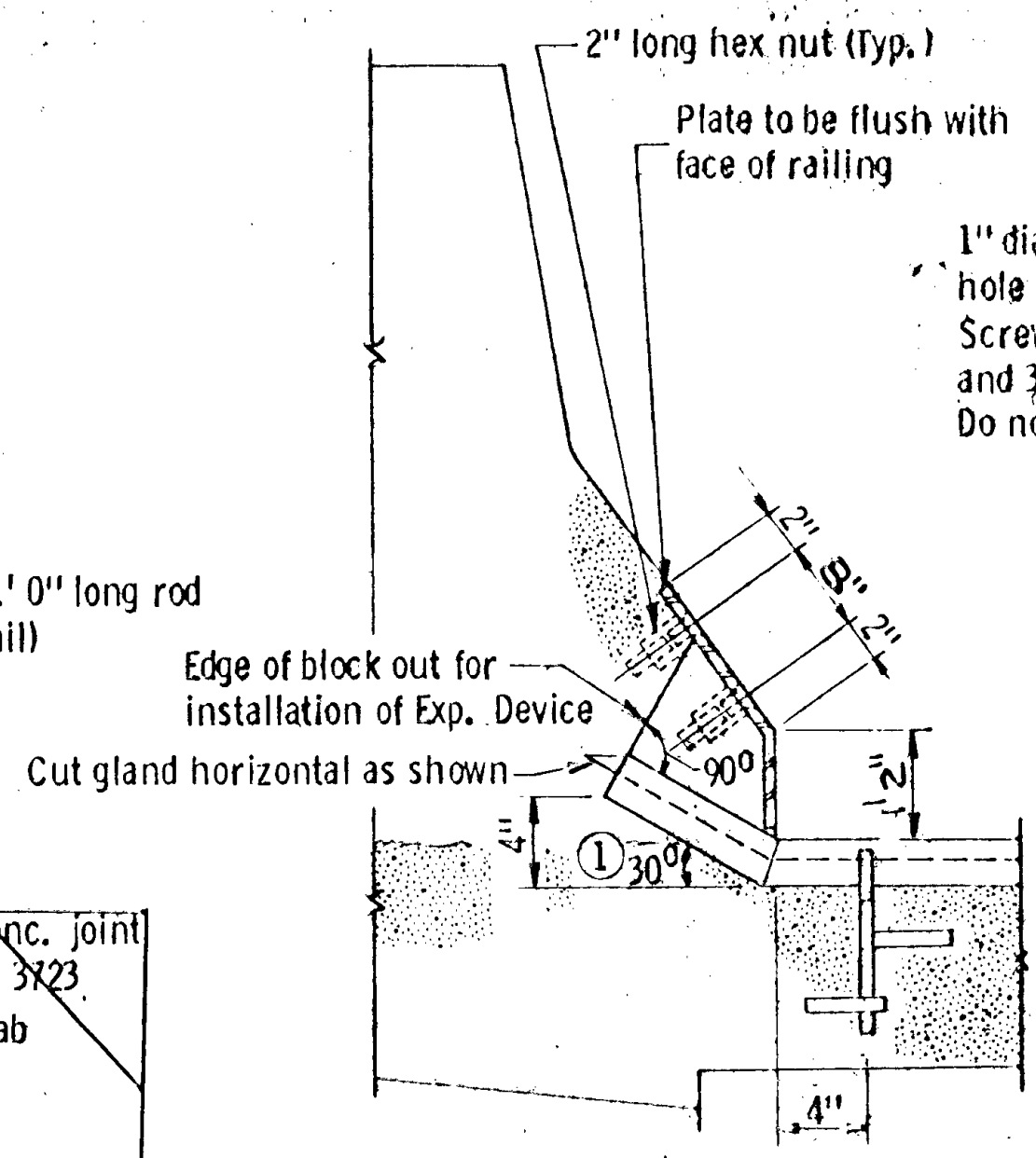
RECONSTRUCT EXPANSION JOINT TYPE 3 DRAIN DETAILS	DES:	DR: R.H.	APPROVED:	BRIDGE NO. 02523 02501
	CHK:	CHK:		
	SHEET NO. 8 of 10 SHEETS			



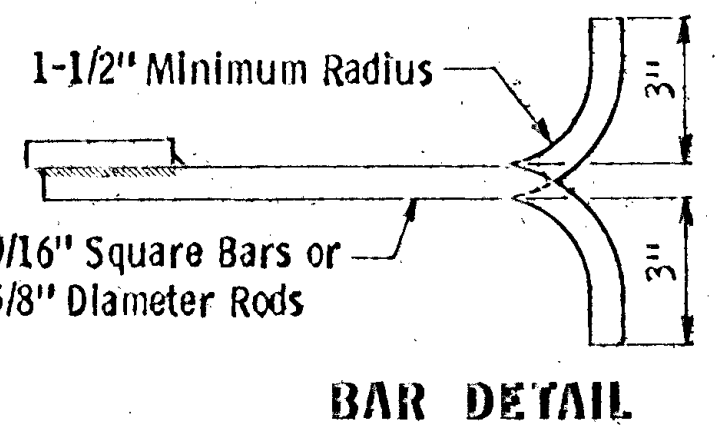
SECTION A-A
ALTERNATE WITH ROD OPTION



ALTERNATE WITH SQUARE BAR OPTION
SECTION A-A



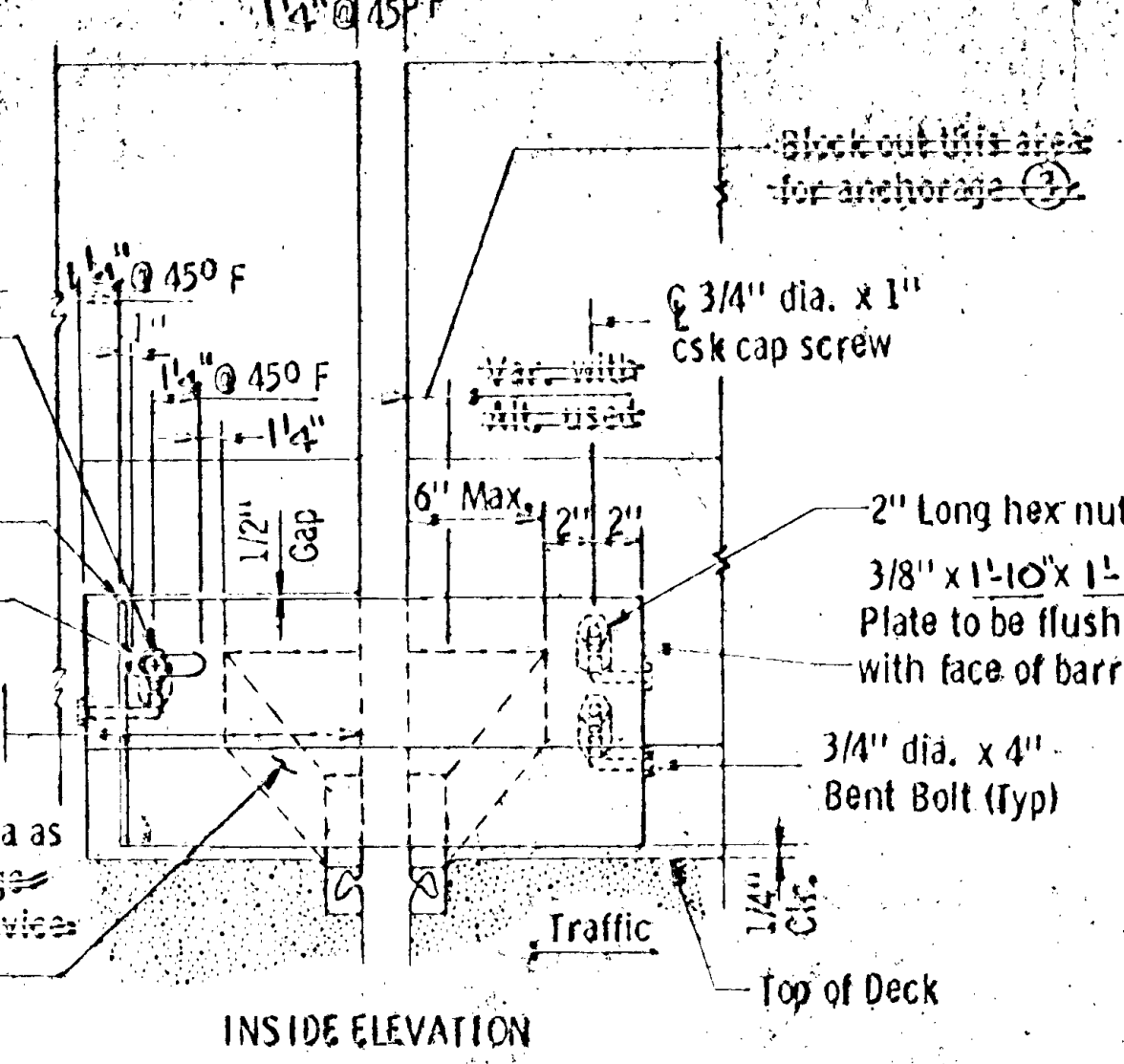
SECTION



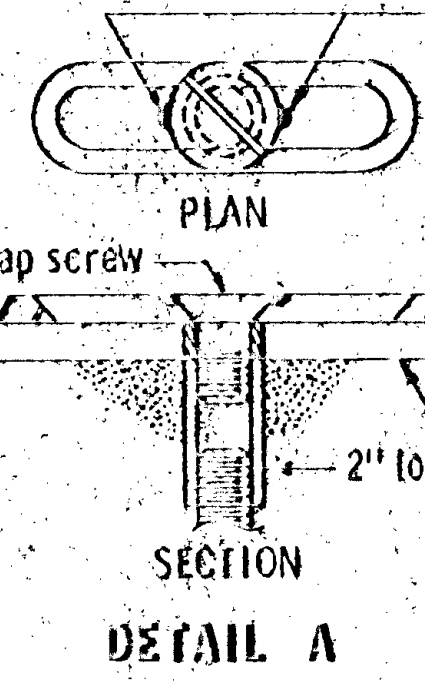
BAR DETAIL

1\"/>

RAILING OR MEDIAN
BR. NO. 02523

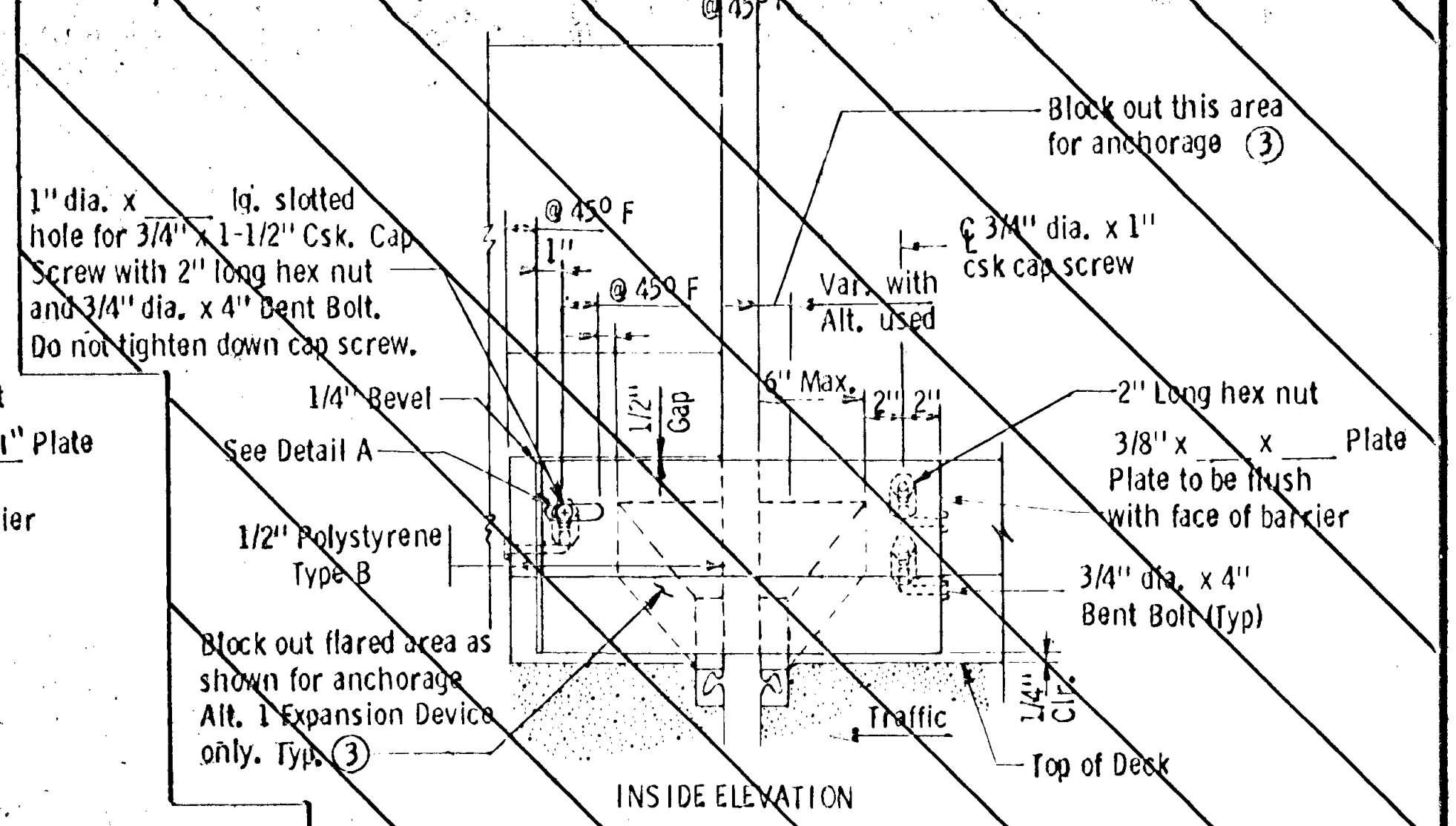


INSIDE ELEVATION



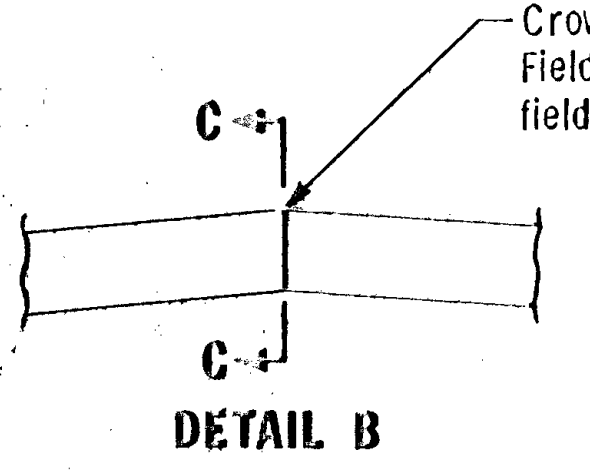
DETAIL A

After assembly, field weld lugs on each edge of Cap Screw only to prevent turning. Cap Screw must be able to slide along slot.

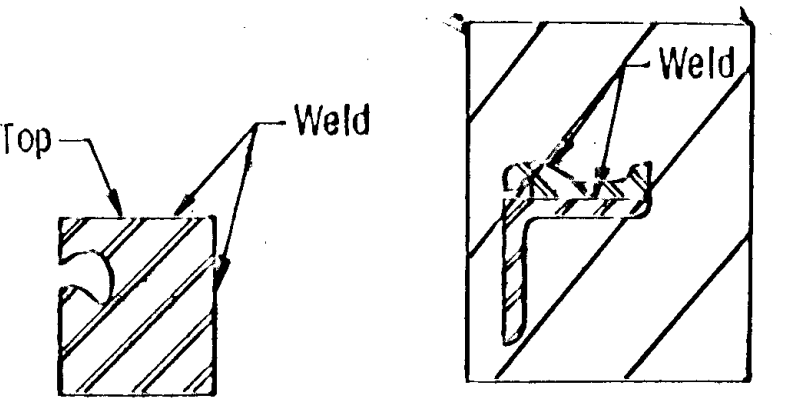


INSIDE ELEVATION

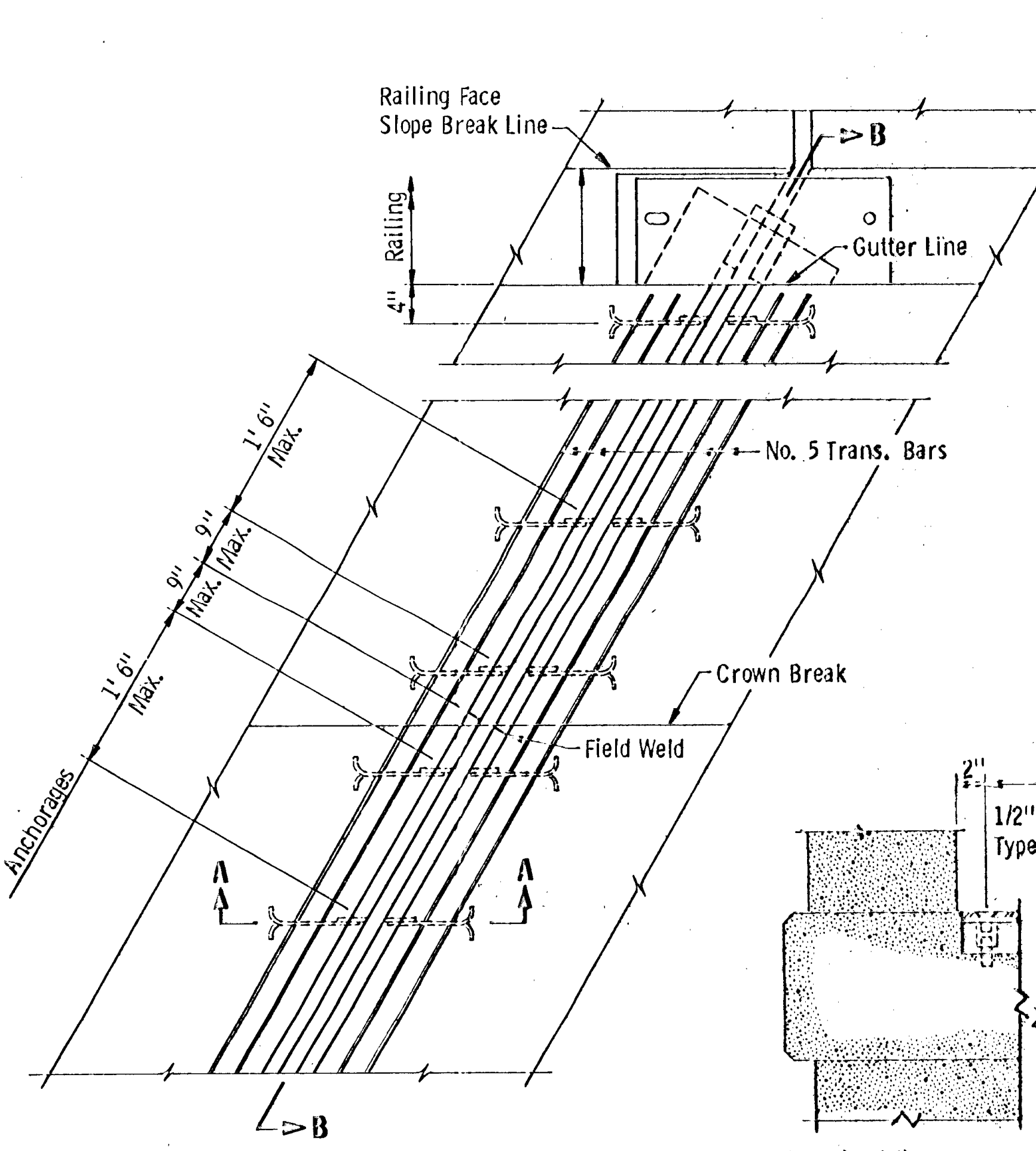
RAILING AT CURB TRANSITION



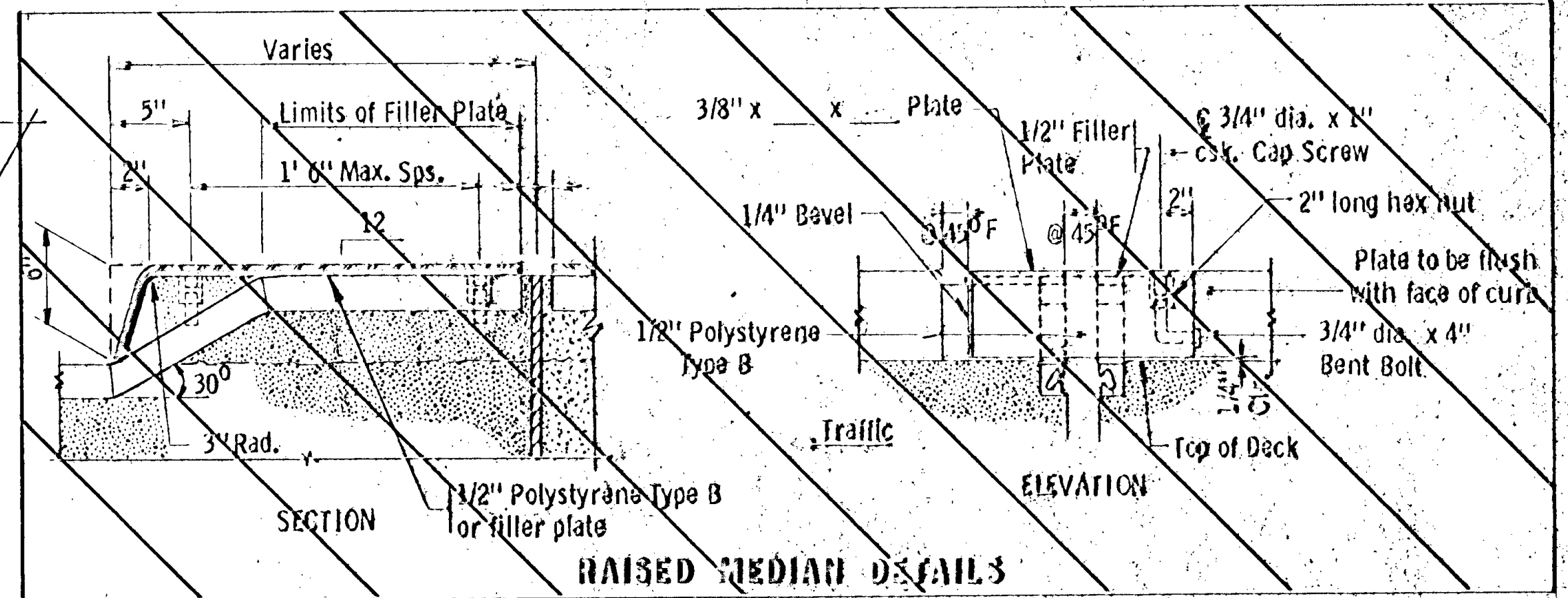
DETAIL B



ALTERNATE TYPES OF EXPANSION DEVICES
SECTIONS C-C

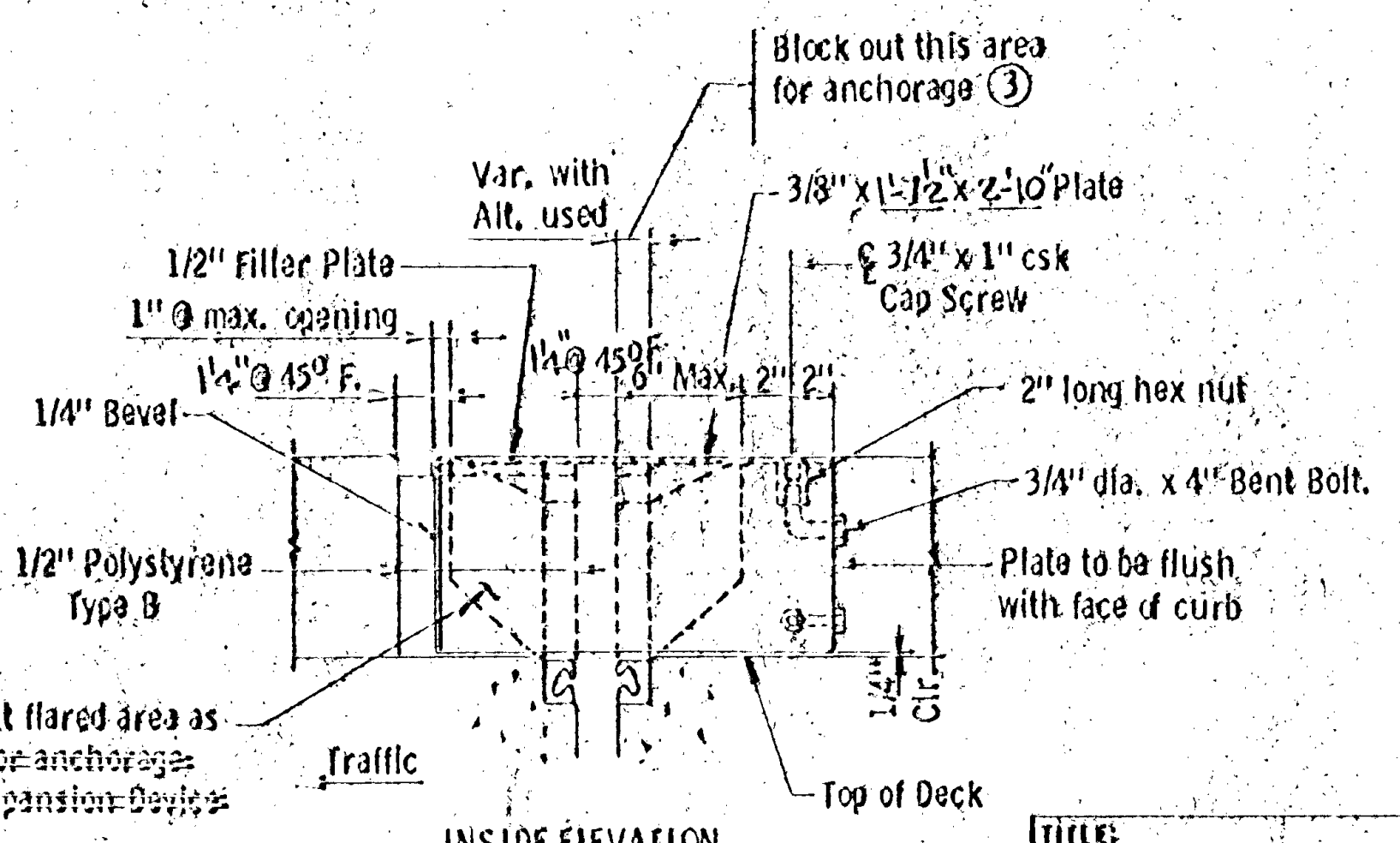


PLAN VIEW AT EXPANSION DEVICE



SECTION

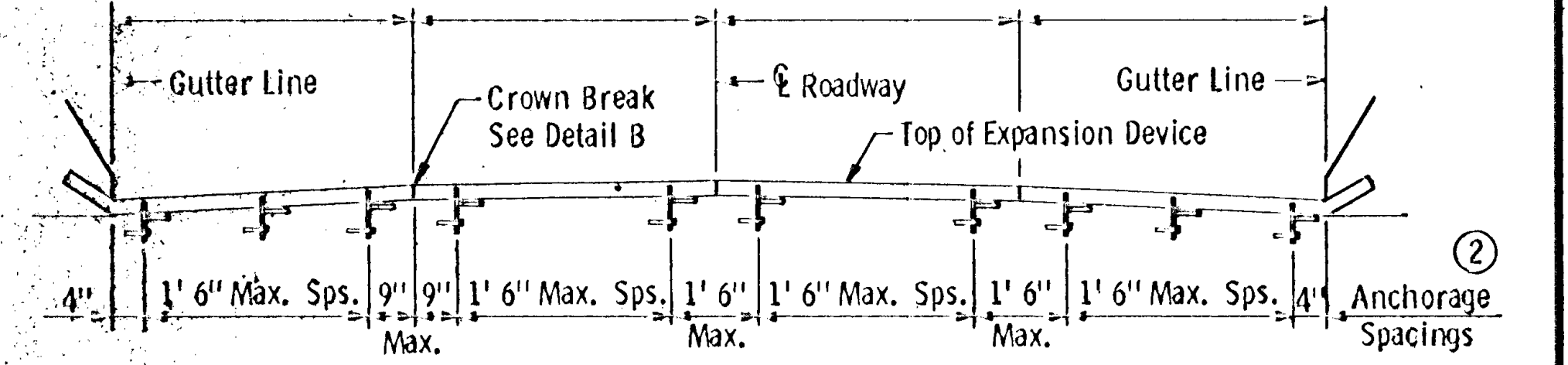
RAISED MEDIAN DETAILS



INSIDE ELEVATION

Block out flared area as shown, for anchorage. Alt. - Expansion Device only.

SIDEWALK DETAILS
BR. NO. 02501



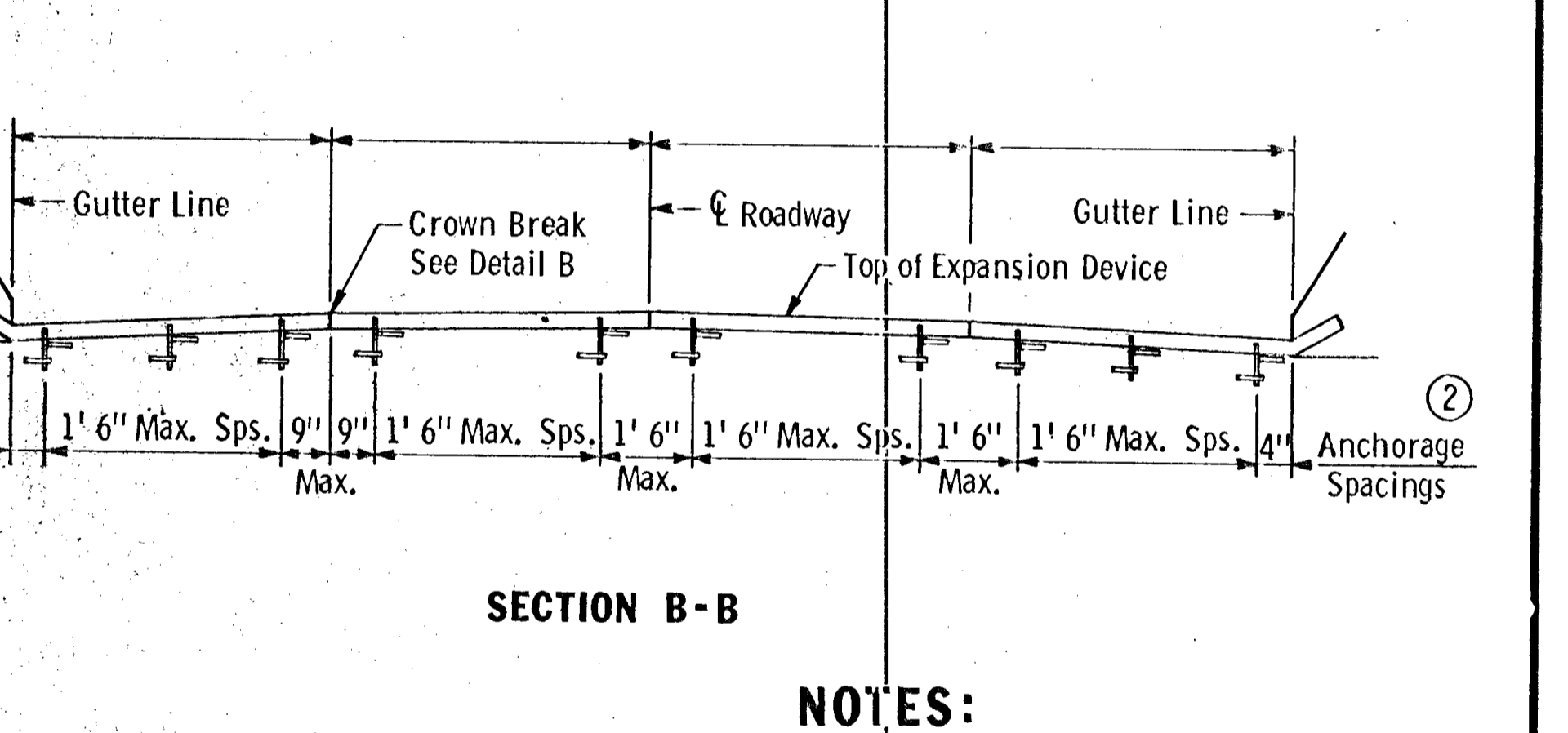
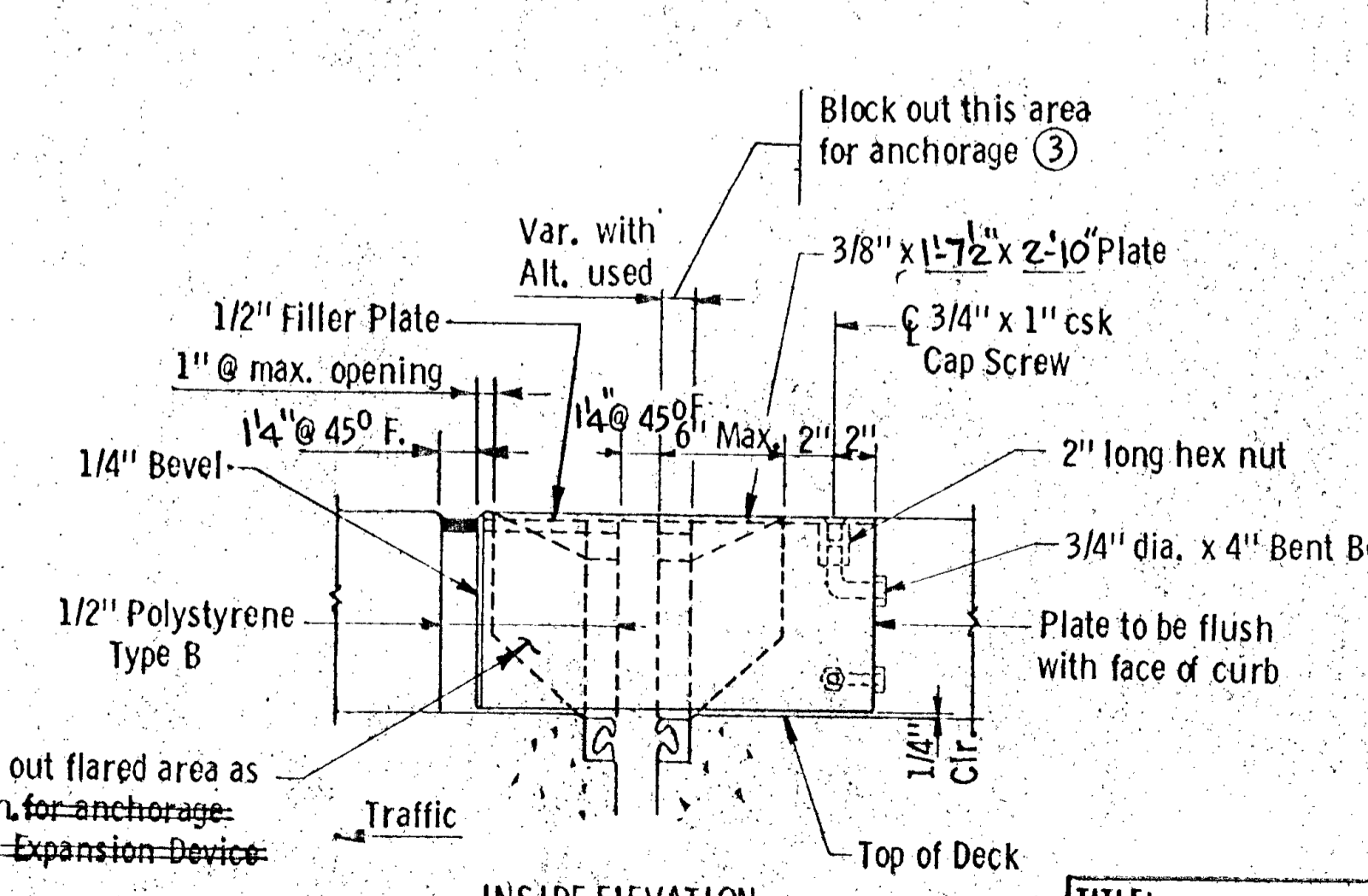
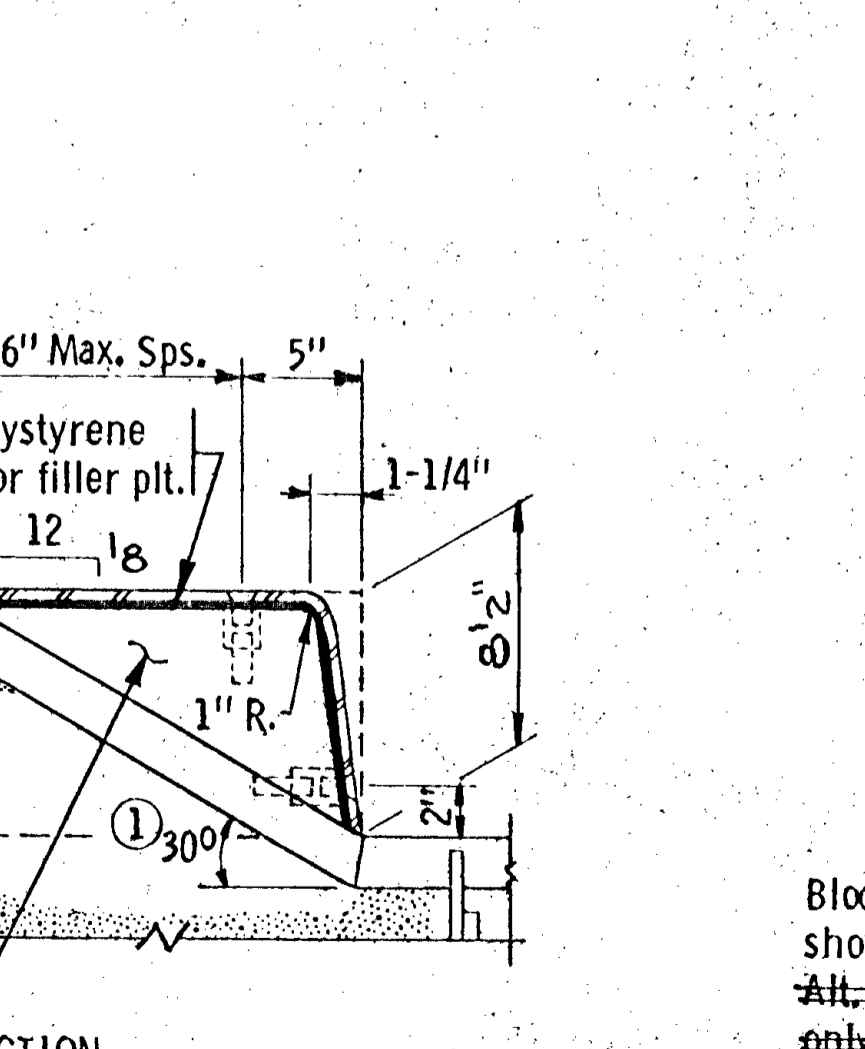
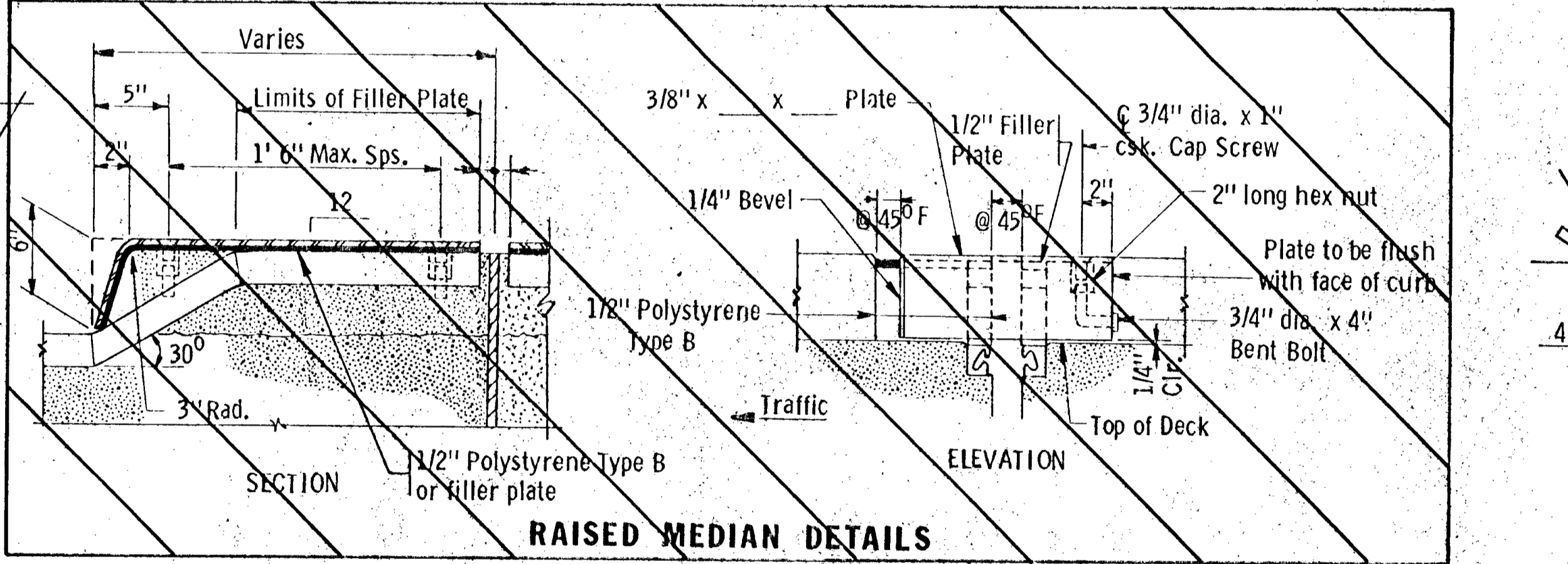
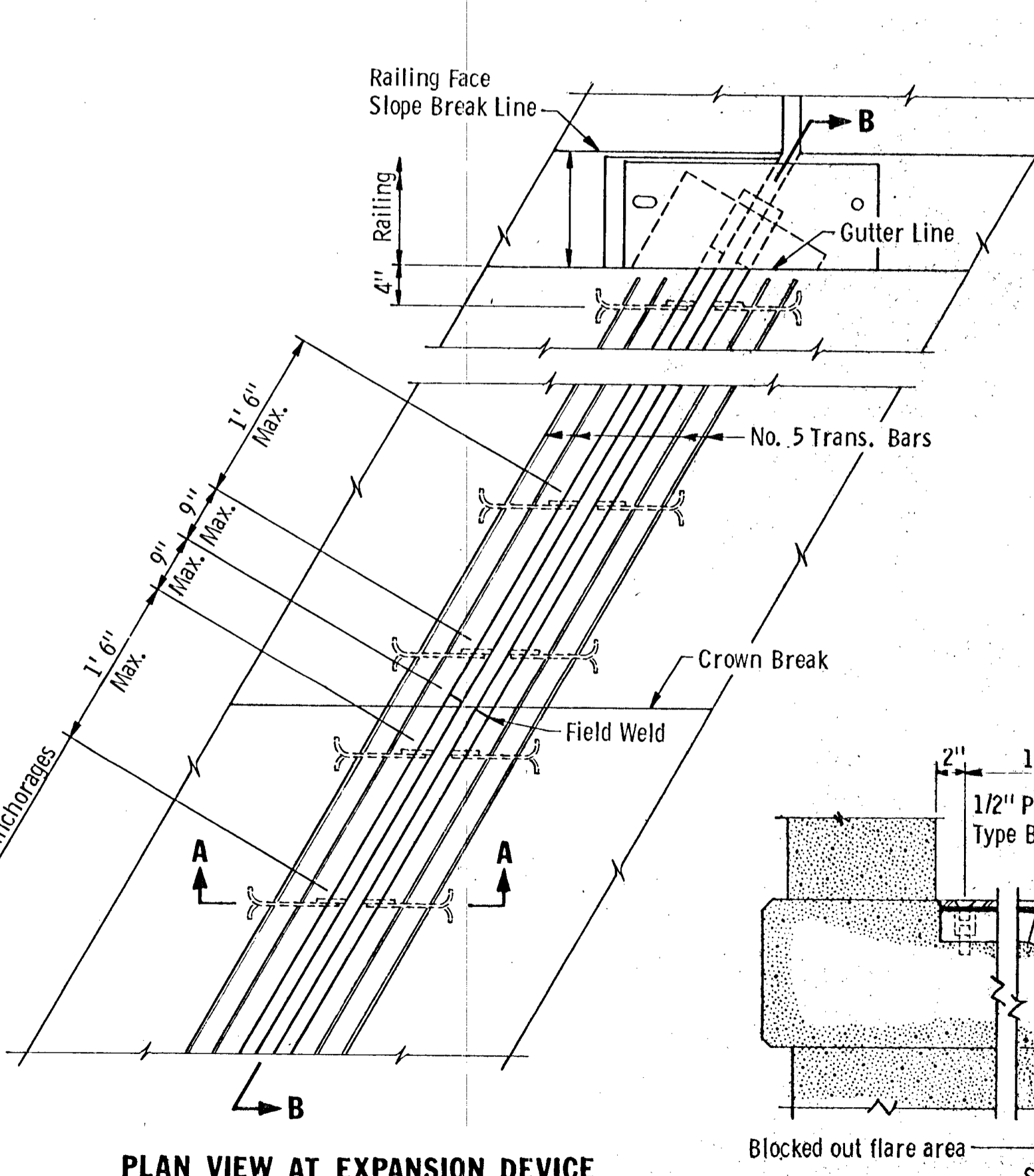
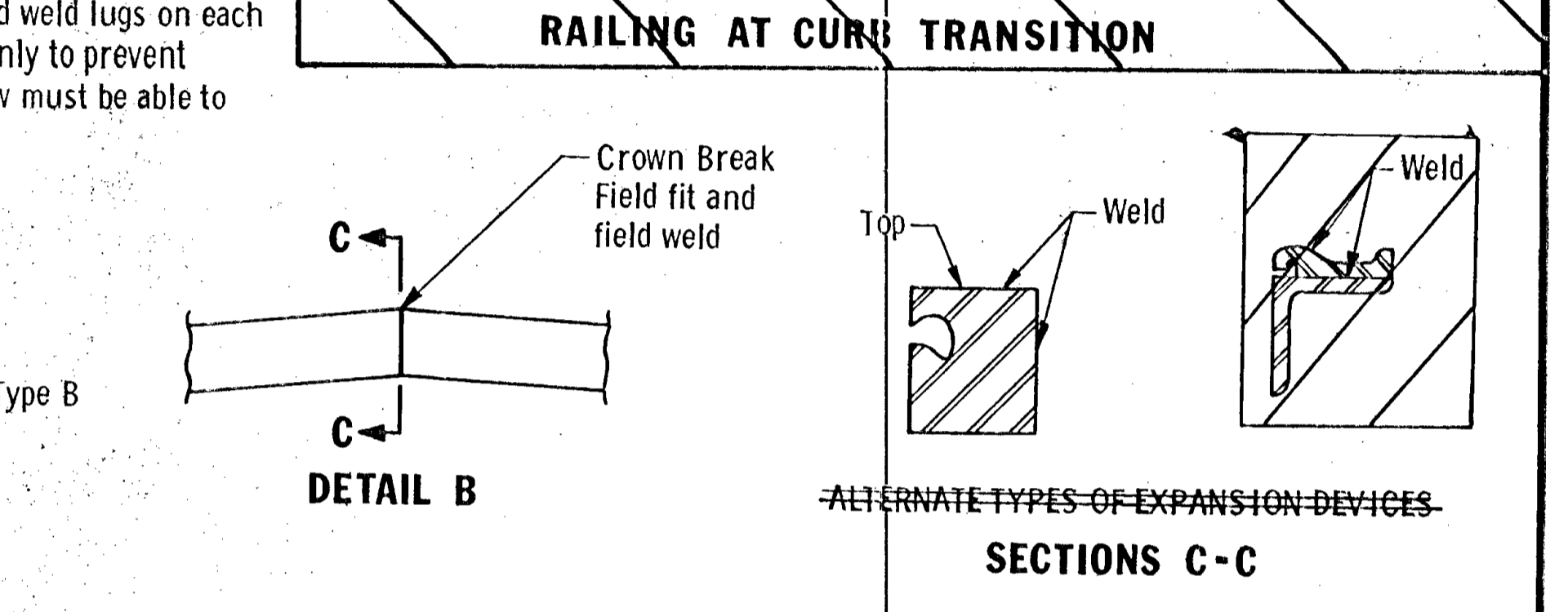
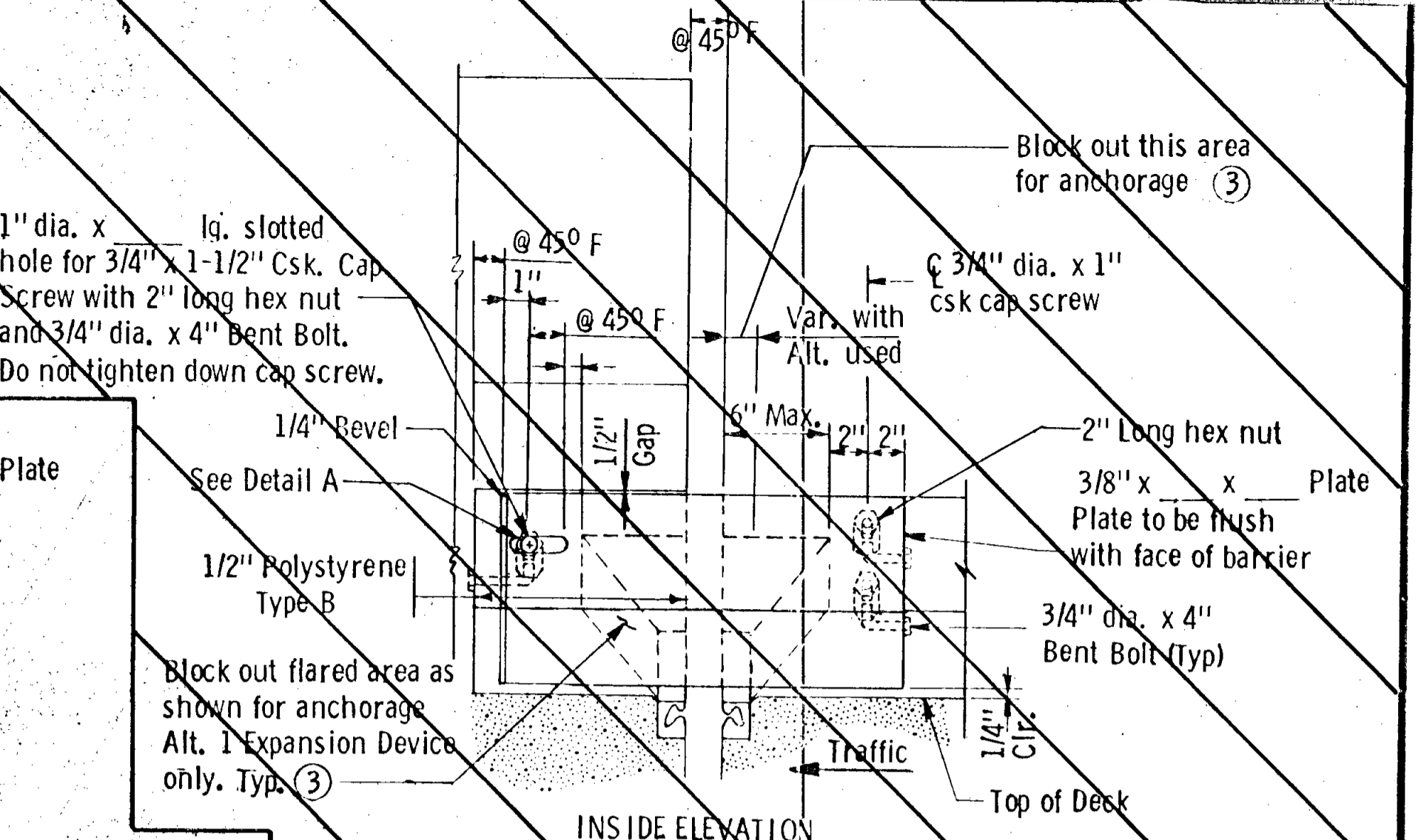
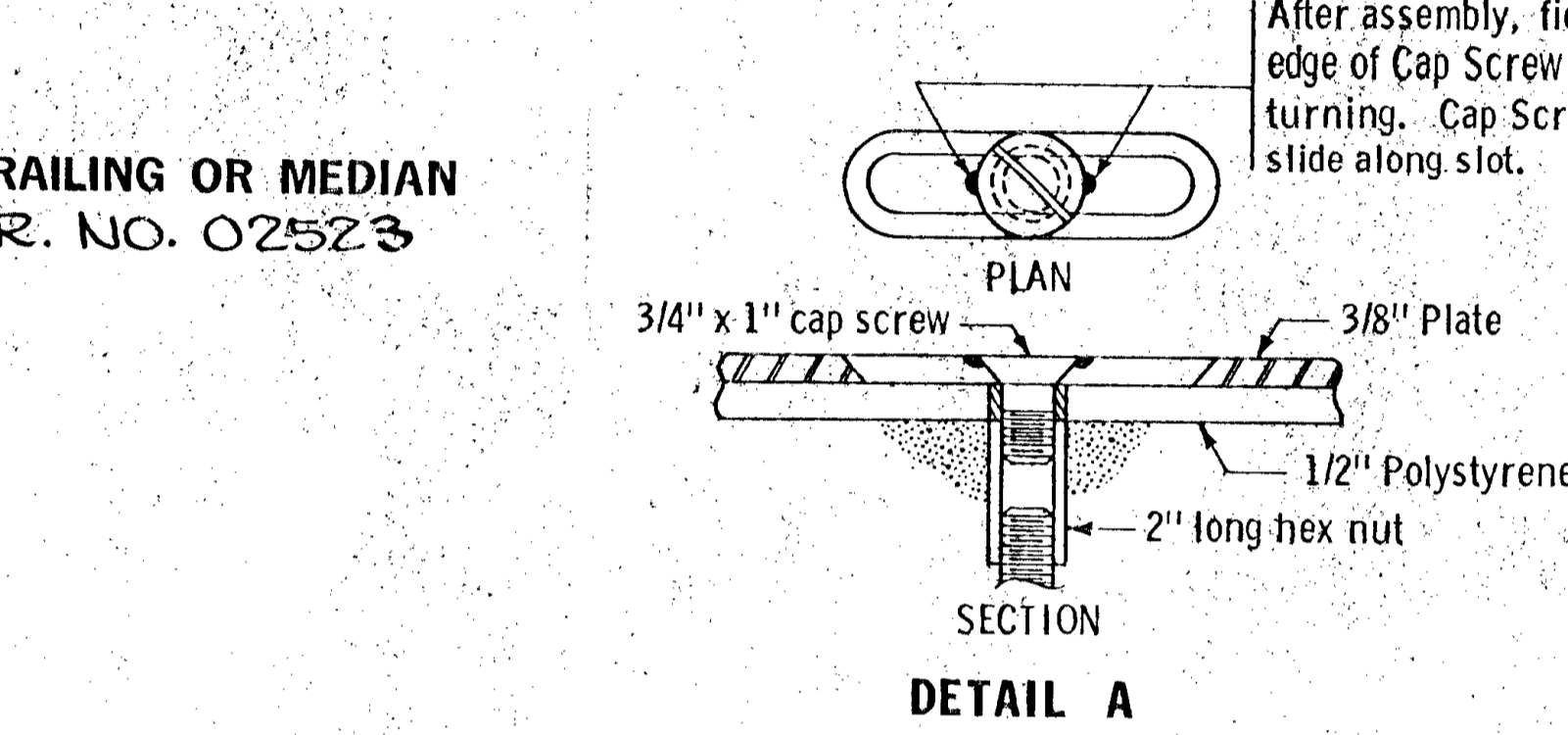
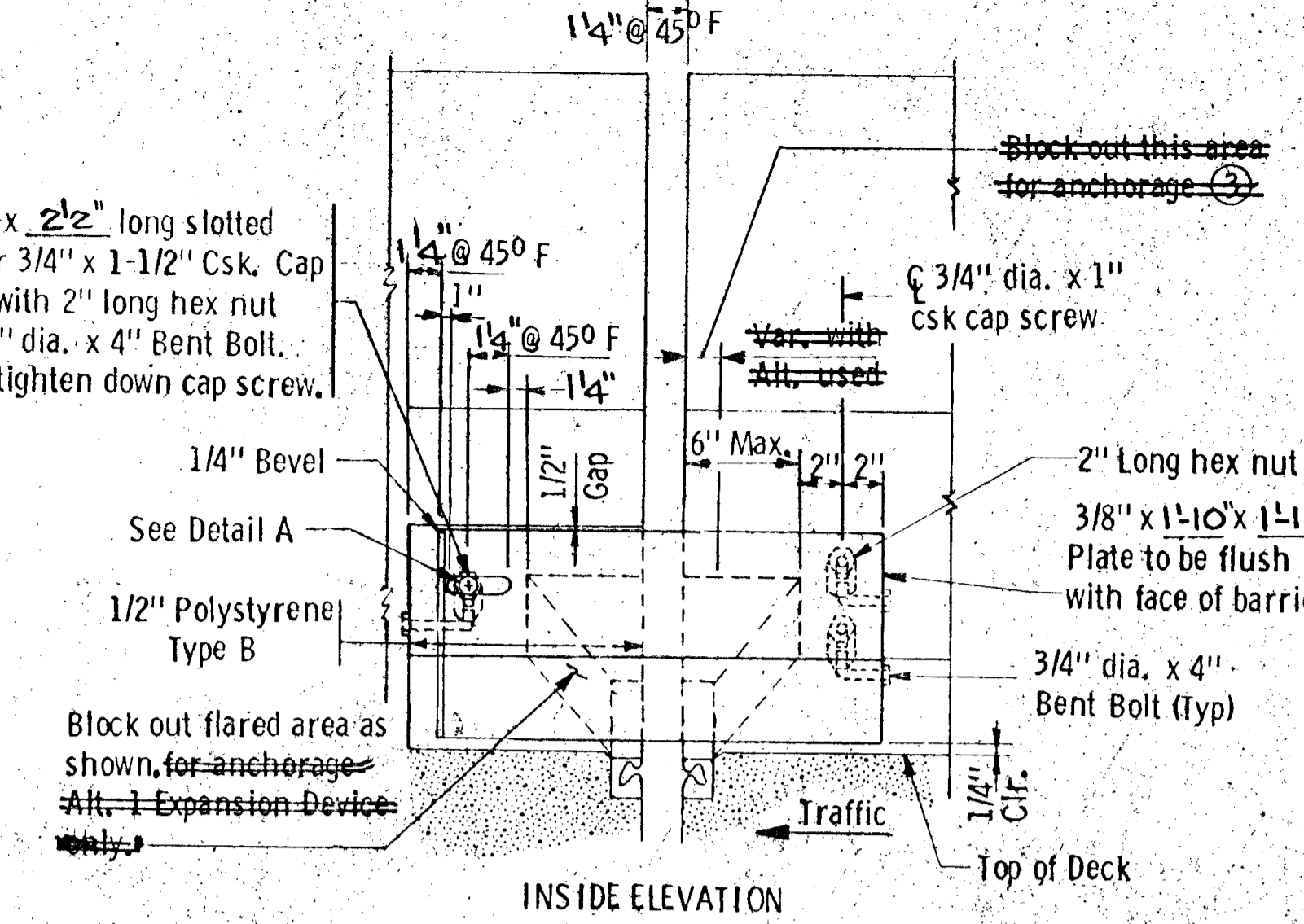
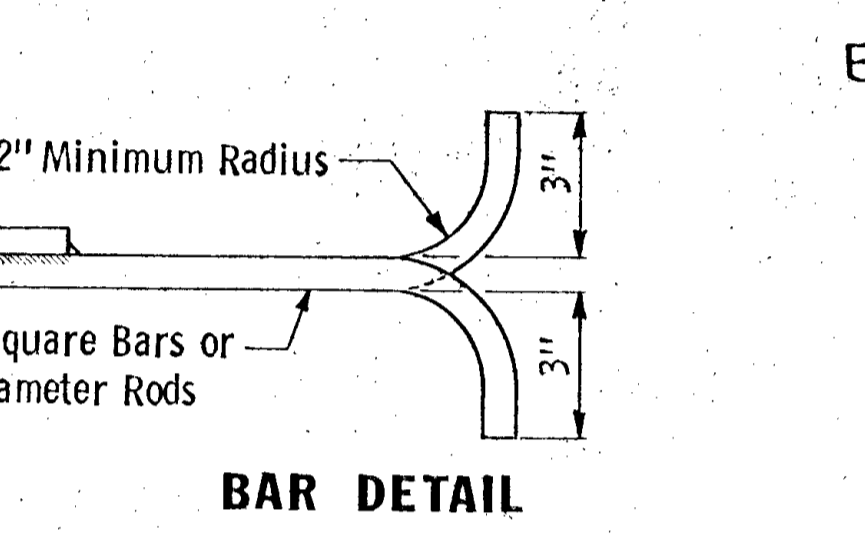
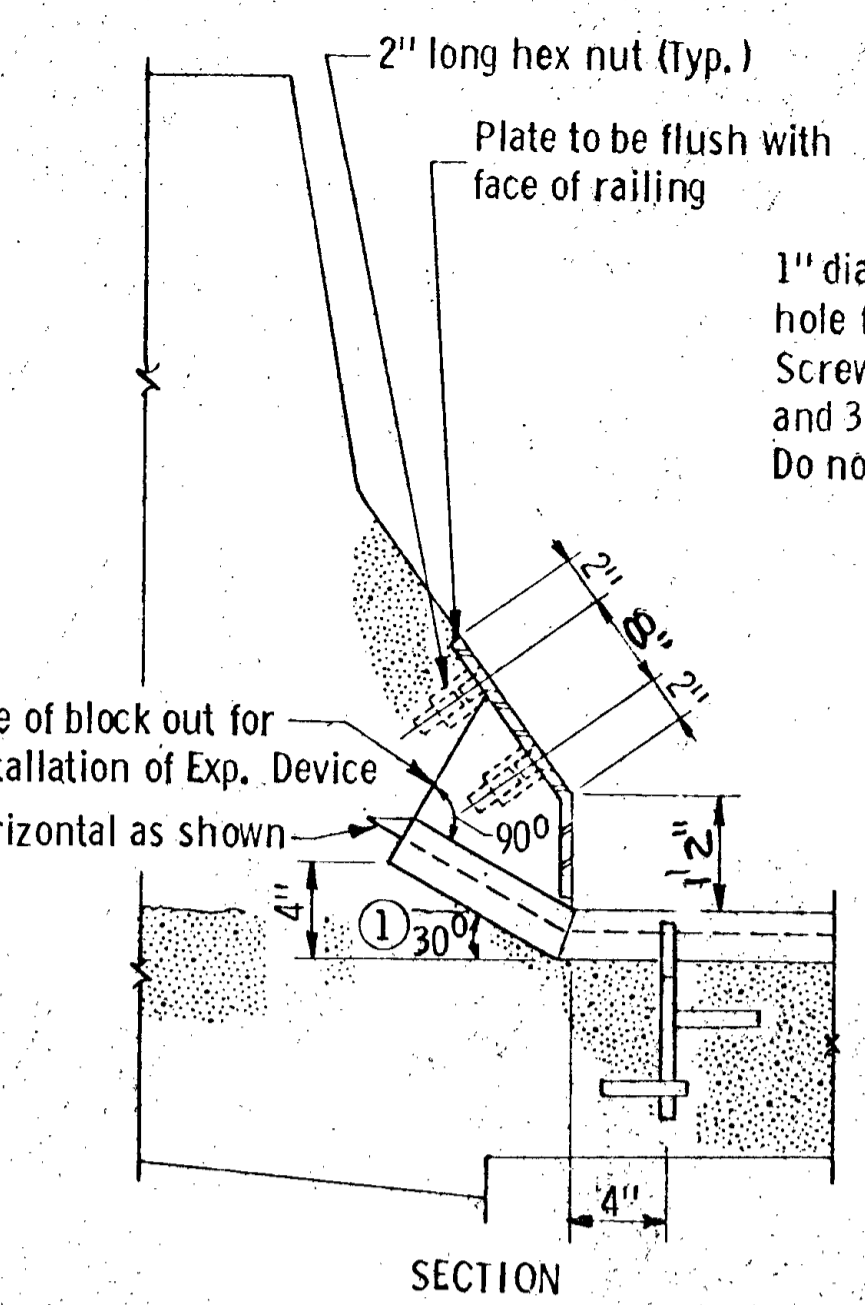
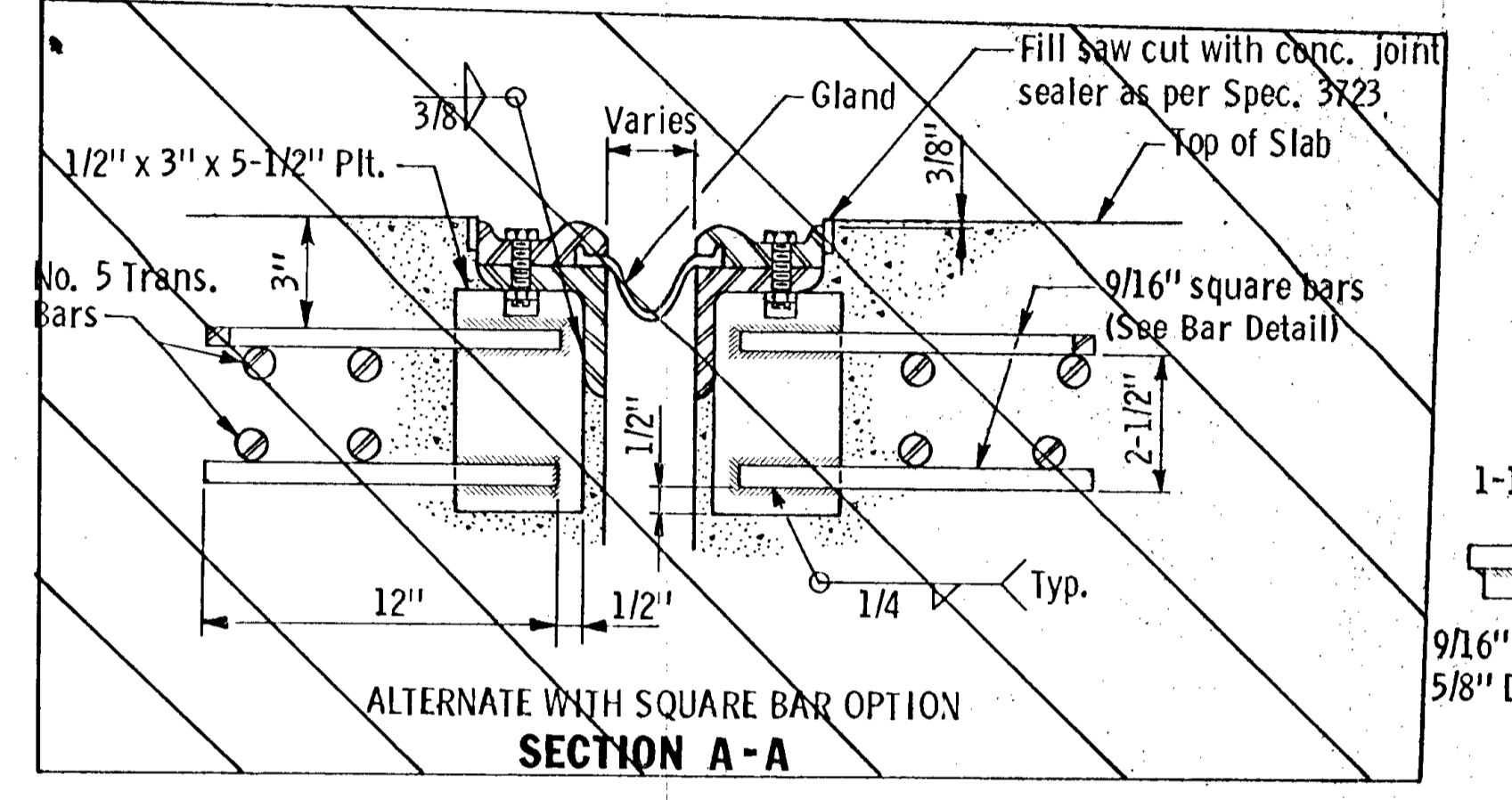
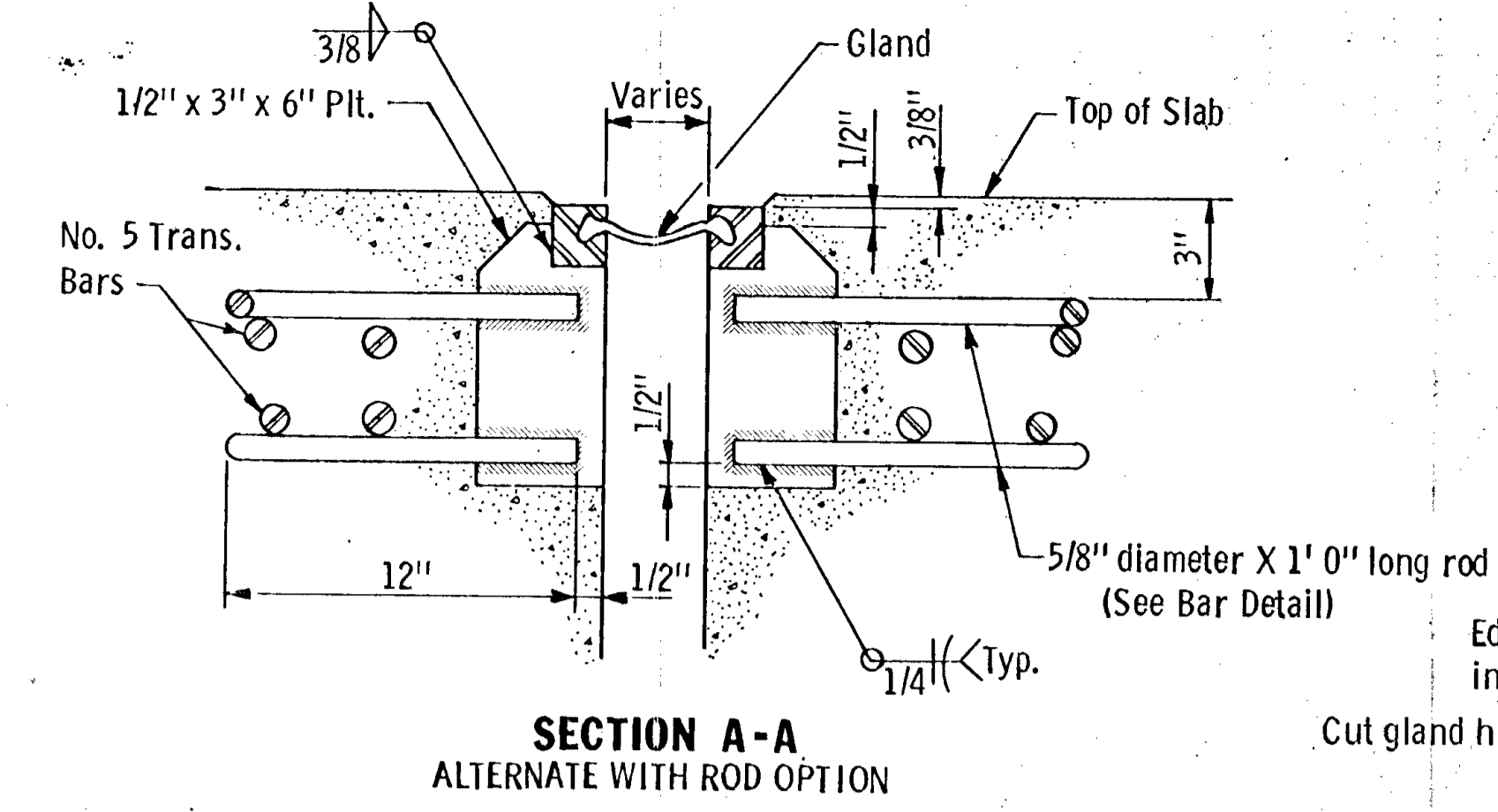
SECTION B-B

NOTES:
 1 Galvanize structural steel after fabrication as per Spec. 3394.
 2 Joints in roadway plate or extrusion shall be located at breaks in transverse profile and as otherwise required. Joints shall be close fit and welded. Repair after welding as per Spec. 2471.31.
 3 Structural steel shall comply with Spec. 3306. or Spec. 3309.
 Galvanize screws and nuts as per Spec. 3392
 Plates shall be flat after galvanizing.
 Cap screws shall be csk, 1/16\"/>

Fig. 5-397.629
Approved: May 30, 1973

TITLE: WATERPROOF EXPANSION DEVICE FOR REPAIR WORK		DES: CHK:	DR: R.H. CHK:	APPROVED:	Bridge No. 02501 02523
Sheet No. 9 of 10 Sheets					

NORTHSTAR 77 117



NOTES:
 ① For skews over 25°, use 45°.
 ② Dimension along skew.
 ③ See Figure 5-397.628 for additional block-out information.
 Galvanize structural steel after fabrication as per Spec. 3394.
 Joints in roadway plate or extrusion shall be located at breaks in transverse profile and as otherwise required. Joints shall be close fit and welded. Repair after welding as per Spec. 2471, 3L.
 Structural steel shall comply with Spec. 3306. or Spec. 3309.
 Galvanize screws and nuts as per Spec. 3392
 Plates shall be flat after galvanizing.
 Cap screws shall be csk. 1/16\"/>

SIDEWALK DETAILS
BR. NO. 02501

RAILING OR MEDIAN
BR. NO. 02523

Fig. 5-397.629
Approved: May 30, 1978

TITLE: WATERPROOF EXPANSION DEVICE FOR REPAIR WORK		DES:	DR: R.H.	APPROVED:	Bridge No. 02501 02523
		CHK:	CHK:		
					Sheet No. 9 of 10 Sheets

