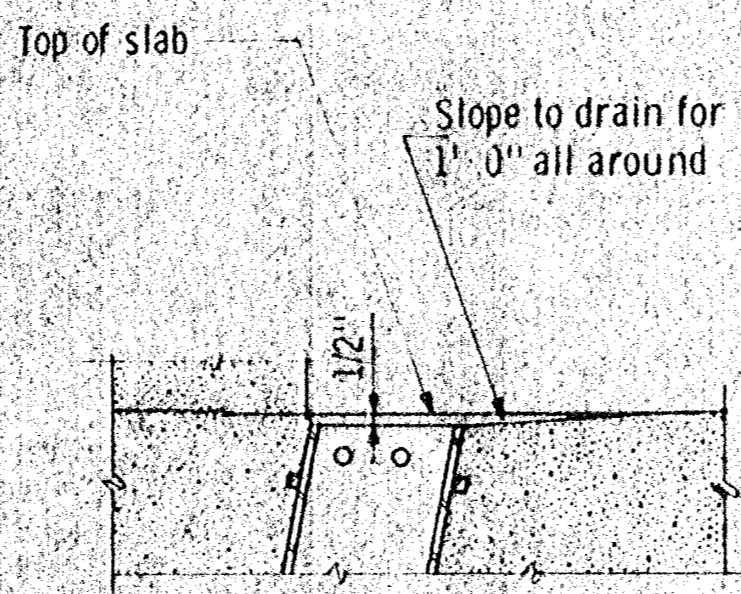
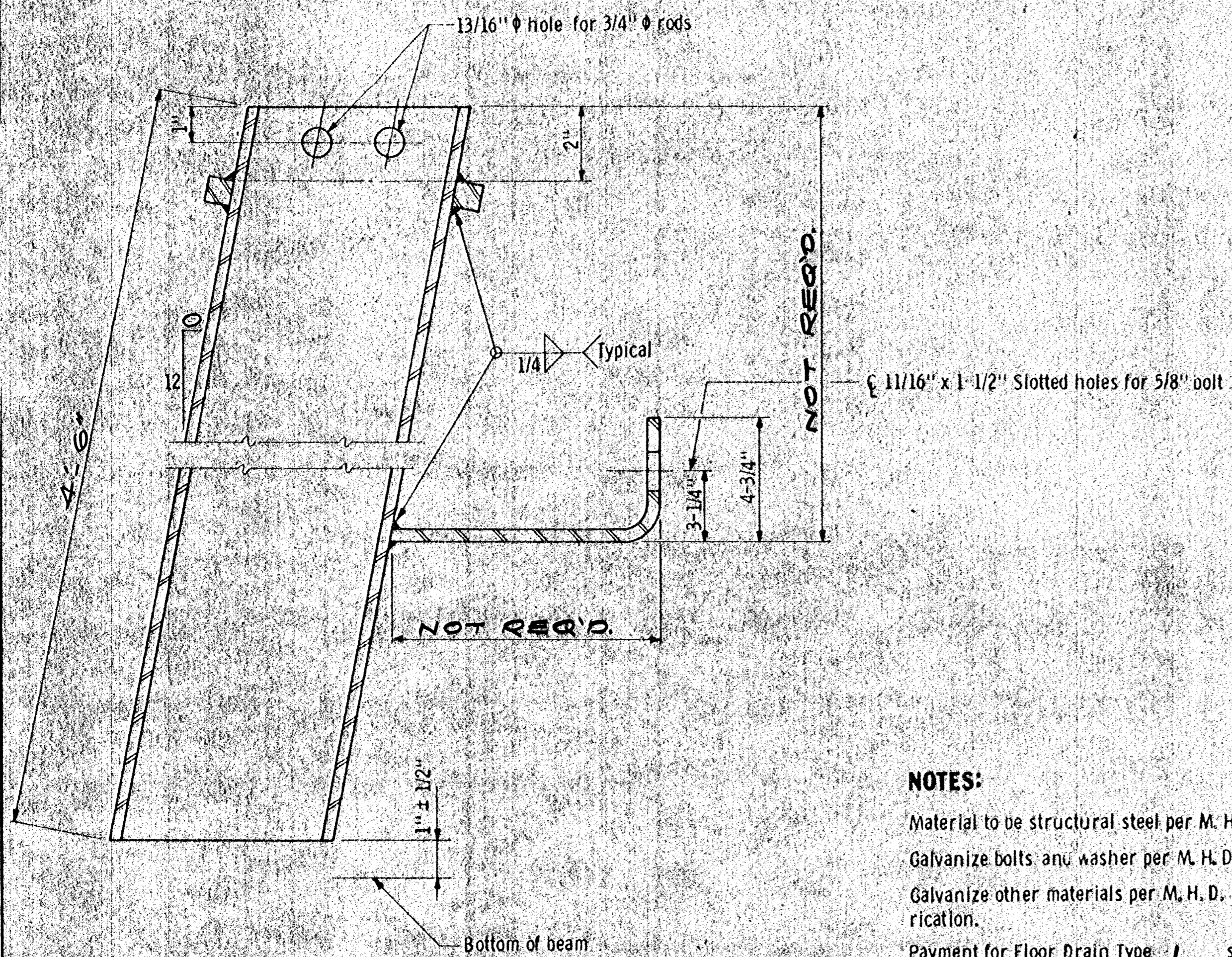


PLAN VIEW

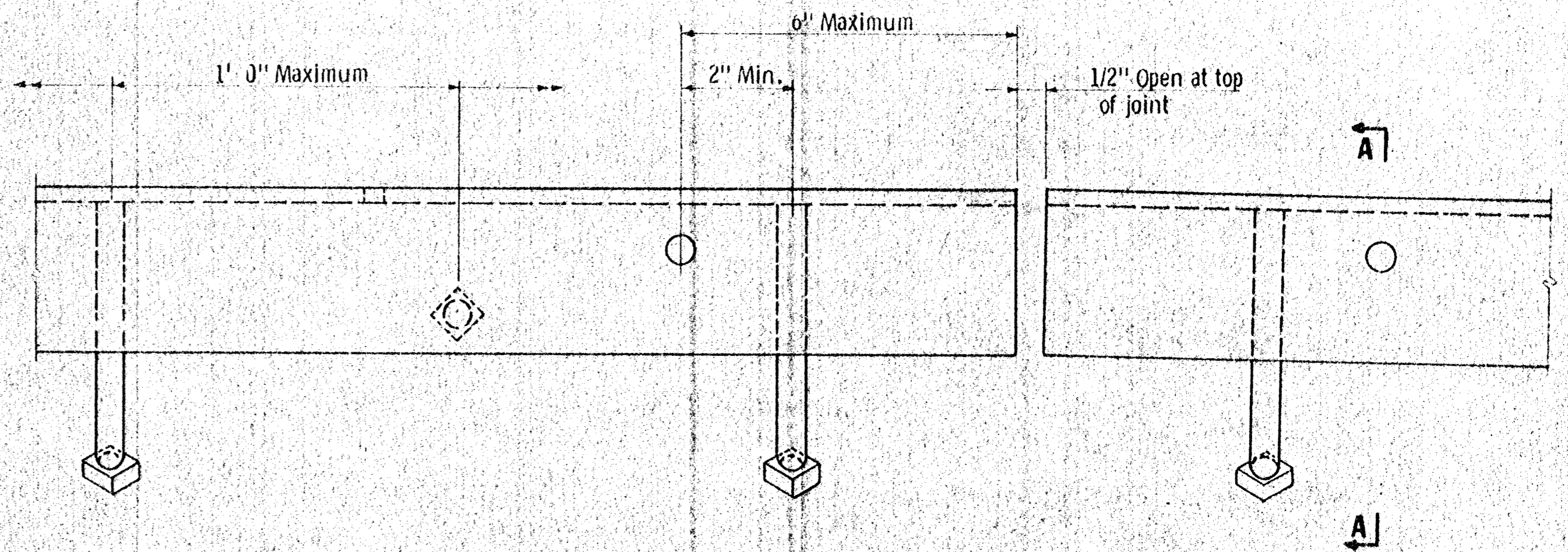


PLACEMENT DIAGRAM

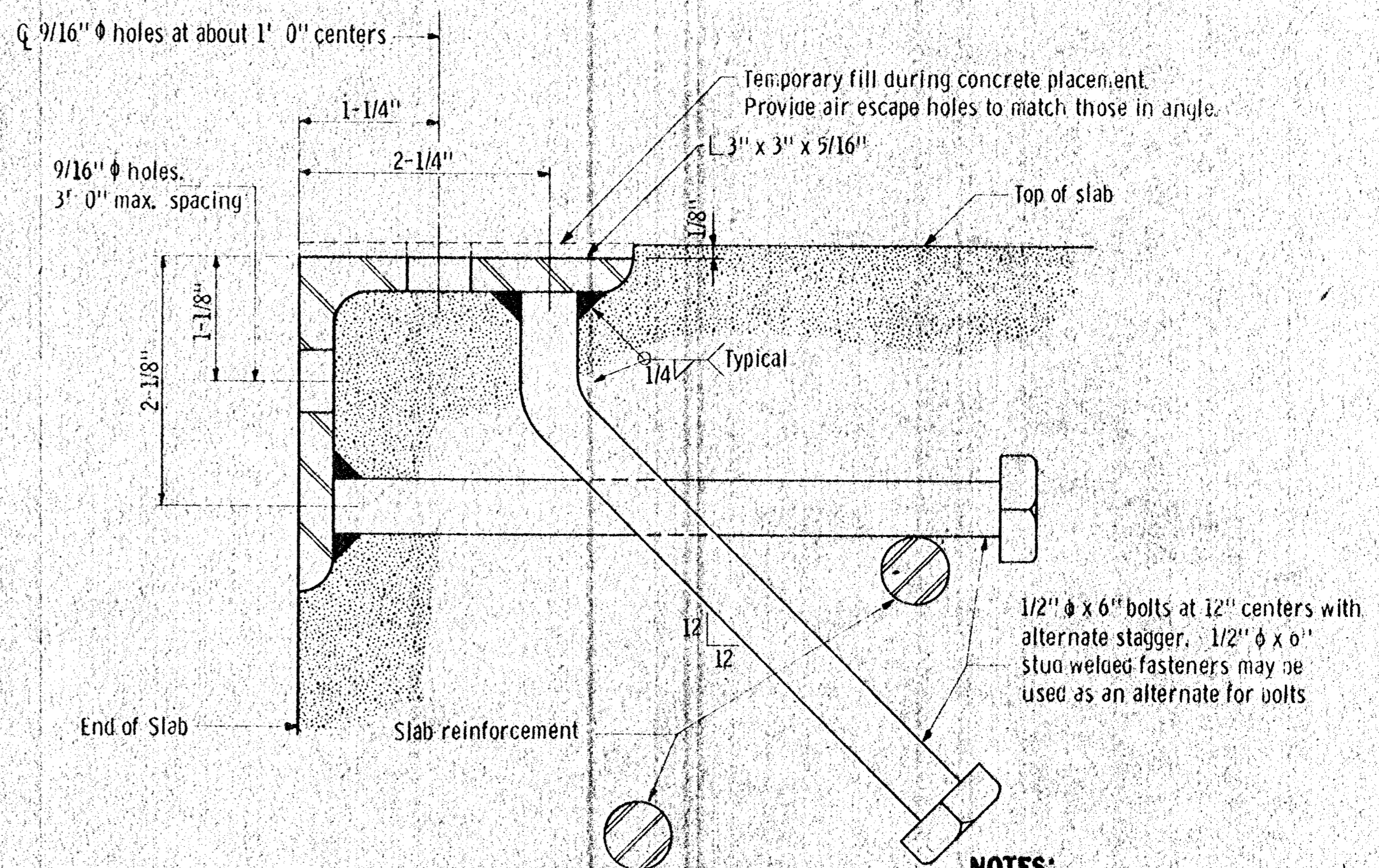


SECTION A - A

NOTES:
 Material to be structural steel per M. H. D. 3306.
 Galvanize bolts and washer per M. H. D. 3392.
 Galvanize other materials per M. H. D. 3394 after fabrication.
 Payment for Floor Drain Type 1 shall include all material shown on this detail.



ELEVATION
(Concrete not shown)



SECTION A - A

NOTES:
 Angles shall extend full width of roadway between curbs with a 1/2 inch open joint at each area in crown profile. Maximum length 22 feet.
 Angles shall be straightened to a tolerance of 1/16 inch in 10 feet after galvanizing.
 Material: Structural steel per M. H. D. 3306. Galvanize after fabrication per M. H. D. 3394.
 Set angle to proper grade and crown.
 All material will be paid for as structural steel M. H. D. 3306.

APPROVED JULY 24, 1972
Donald D. Smith
 Engineering Standards Engineer
 RESEARCH AND STANDARDS DIVISION

STATE OF MINNESOTA
 DEPARTMENT OF HIGHWAYS
**BRIDGE FLOOR DRAIN
 STRUCTURAL TUBING**

DETAIL NO.
B702

APPROVED May 26, 1972
Donald D. Smith
 Engineering Standards Engineer
 RESEARCH AND STANDARDS DIVISION

STATE OF MINNESOTA
 DEPARTMENT OF HIGHWAYS
**PROTECTION ANGLE
 FOR END OF SLAB**

DETAIL NO.
B551