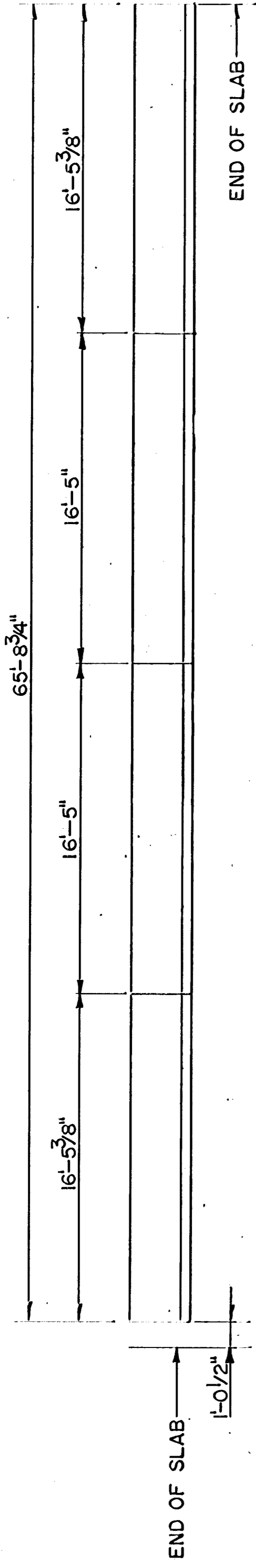
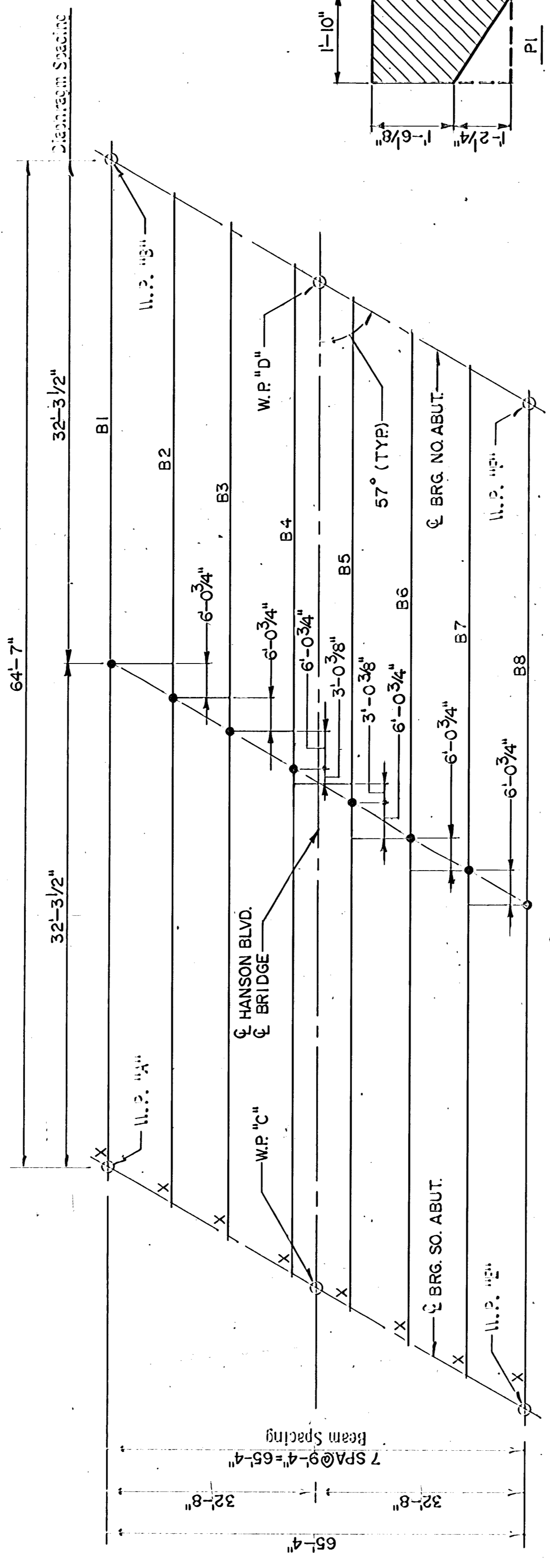


RAIL PLACEMENT PLAN
 (TYPE J CONC. RAIL)

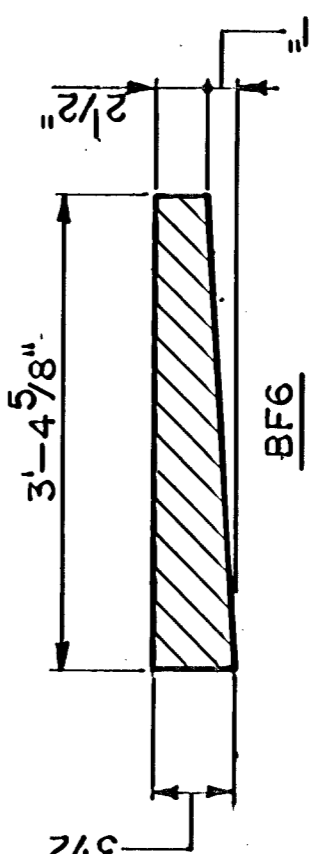
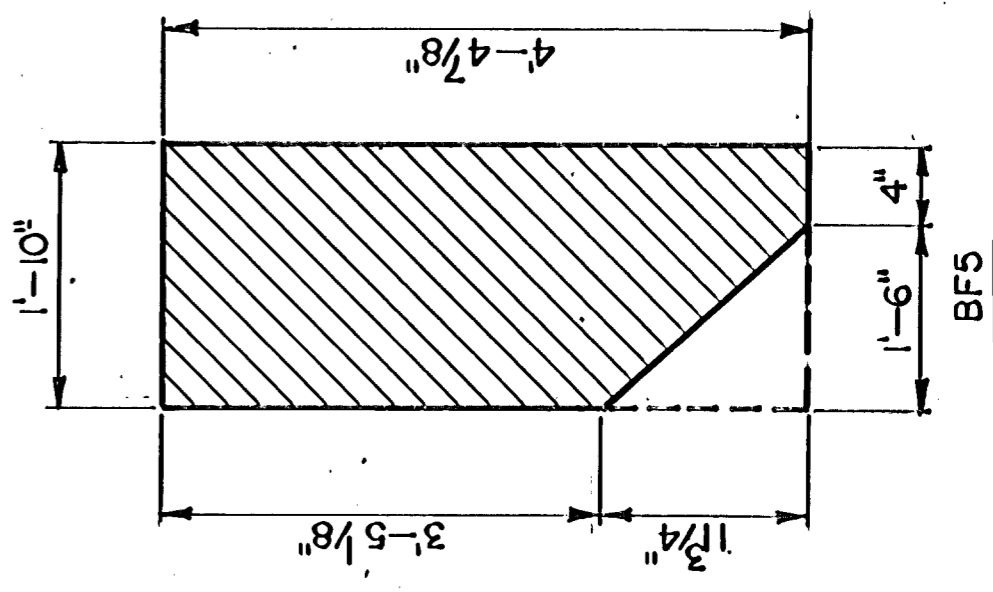
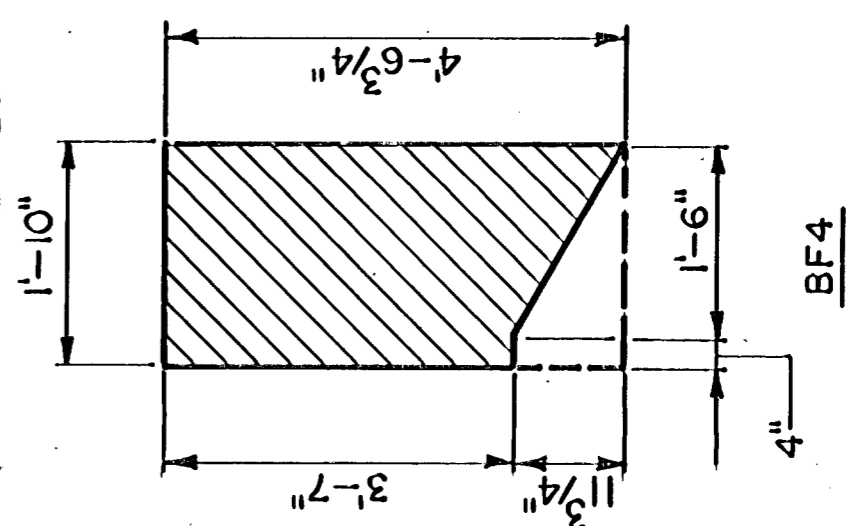
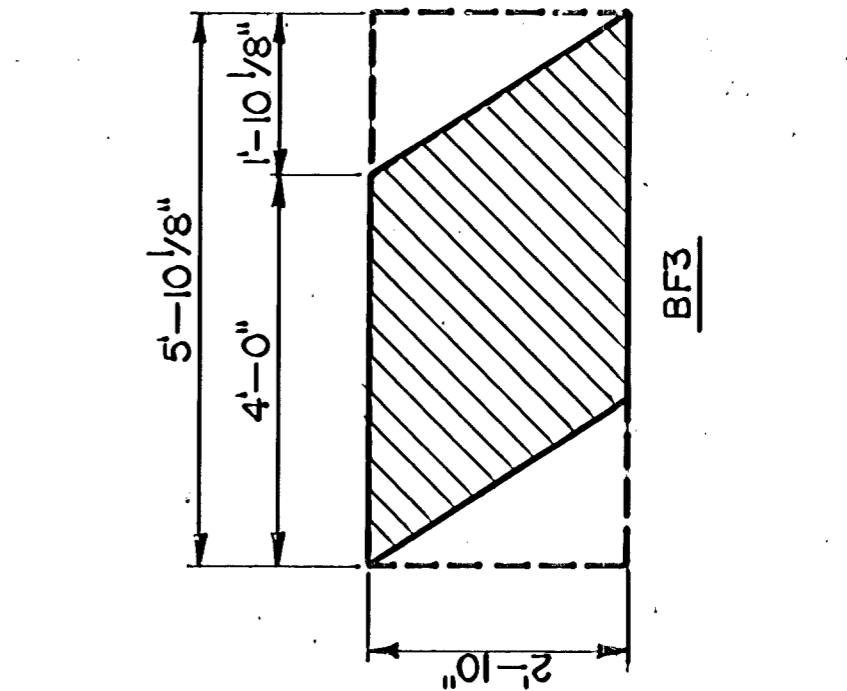
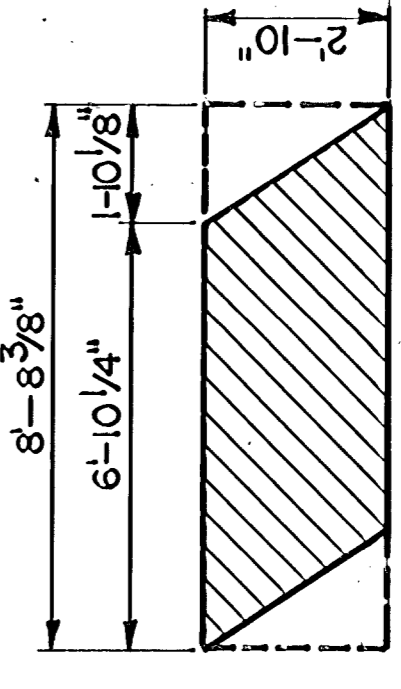
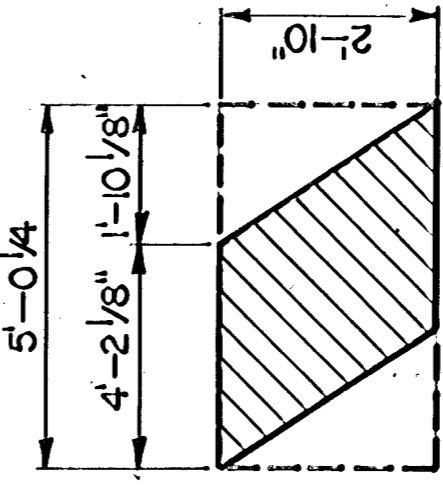
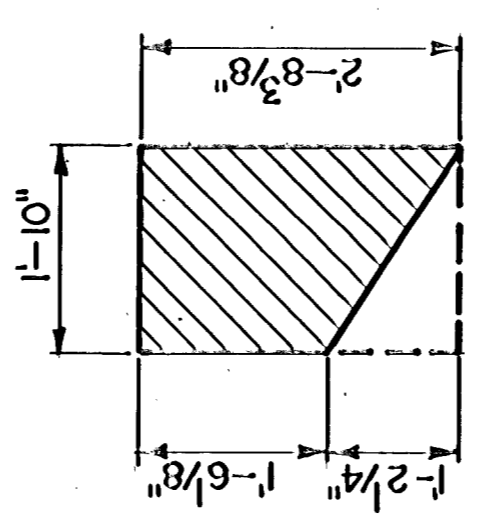


RAILING ELEVATION
 (Inside Elevation Shown)



Structural Plan

NOTE: "•" REPRESENTS MID SPAN OF BEAM
 B1=B8
 B2=B3=B6=B7
 B4=B5



BIT FELT		
TYPE	ROUGH SIZE	NO. PCS.
BF1	1/2" X 2'-10" X 5'-0 1/4" INT. SEATS	12
BF2	1/2" X 2'-10" X 8'-8 3/8" INT. SLOPES	14
BF3	1/2" X 2'-10" X 5'-10 1/8" EXT. SEATS	4
BF4	1/2" X 1'-10" X 4'-6 3/4" EXT. SLOPES	2
BF5	1/2" X 1'-10" X 4'-4 7/8" EXT. SLOPES	2
BF6	1/2" X 3/2" X 4'-4 7/8" SEAT EDGE	32
	1/2" X 1'-10" X 4'-9" WING JT.	4

POLYSTYRENE TYPE B		
TYPE	ROUGH SIZE	NO. PCS.
	1" X 3'-6" X 4'-9" CORNERS	2
	1" X 4'-6" X 4'-9" CORNERS	2
	1" X 1" X 2'-0" BRG. AREA	16
	1" X 1" X 10" BRG. AREA	32
PI	1" X 1'-10" X 2'-8 3/8" BRG. AREA	16

⑤ ④ ③ ①

②

② ②

- ① SEE CUTTING DETAILS THIS SHEET.
- ② TRIM FOR EXACT FIT—SEE JT. DETAIL SHT. 2.
- ③ THIS TABLE IS FOR CONTRACTORS CONVENIENCE ONLY. ALL JT. FILLER IS SIZED TO EXACT TOLERANCES OF THIS PLAN. IT IS RECOMMENDED BY THE ENGINEER THAT EXACT MEASUREMENTS BE TAKEN IN THE FIELD PRIOR TO CUTTING OF JT. FILLER.
- ④ 1" CORK—SEE RAILING SHT. NO. 8.
- ⑤ ANY ADDITIONAL JOINT FILLER REQUIRED SHALL BE FURNISHED WITH NO ADDITIONAL COMPENSATION.