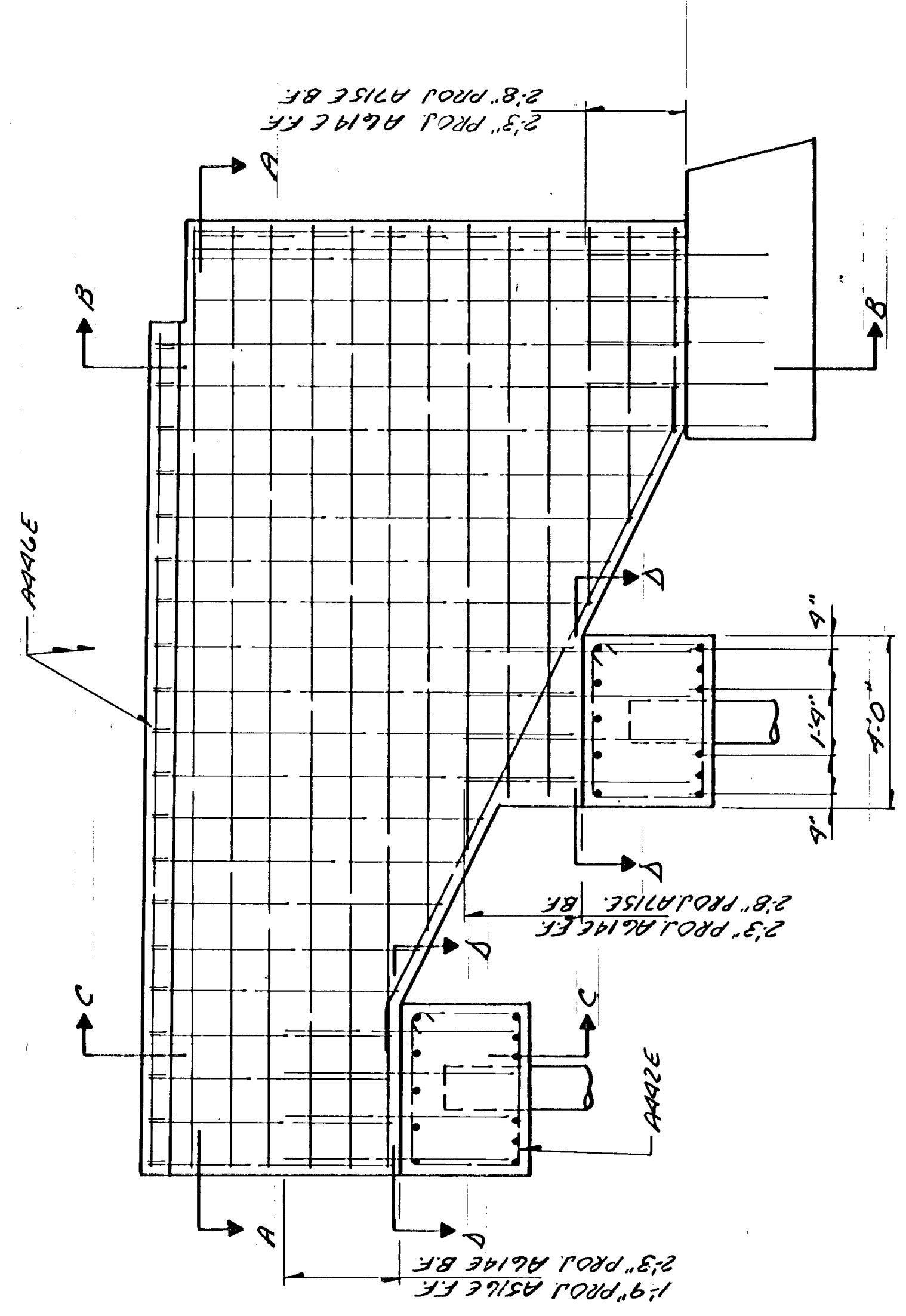
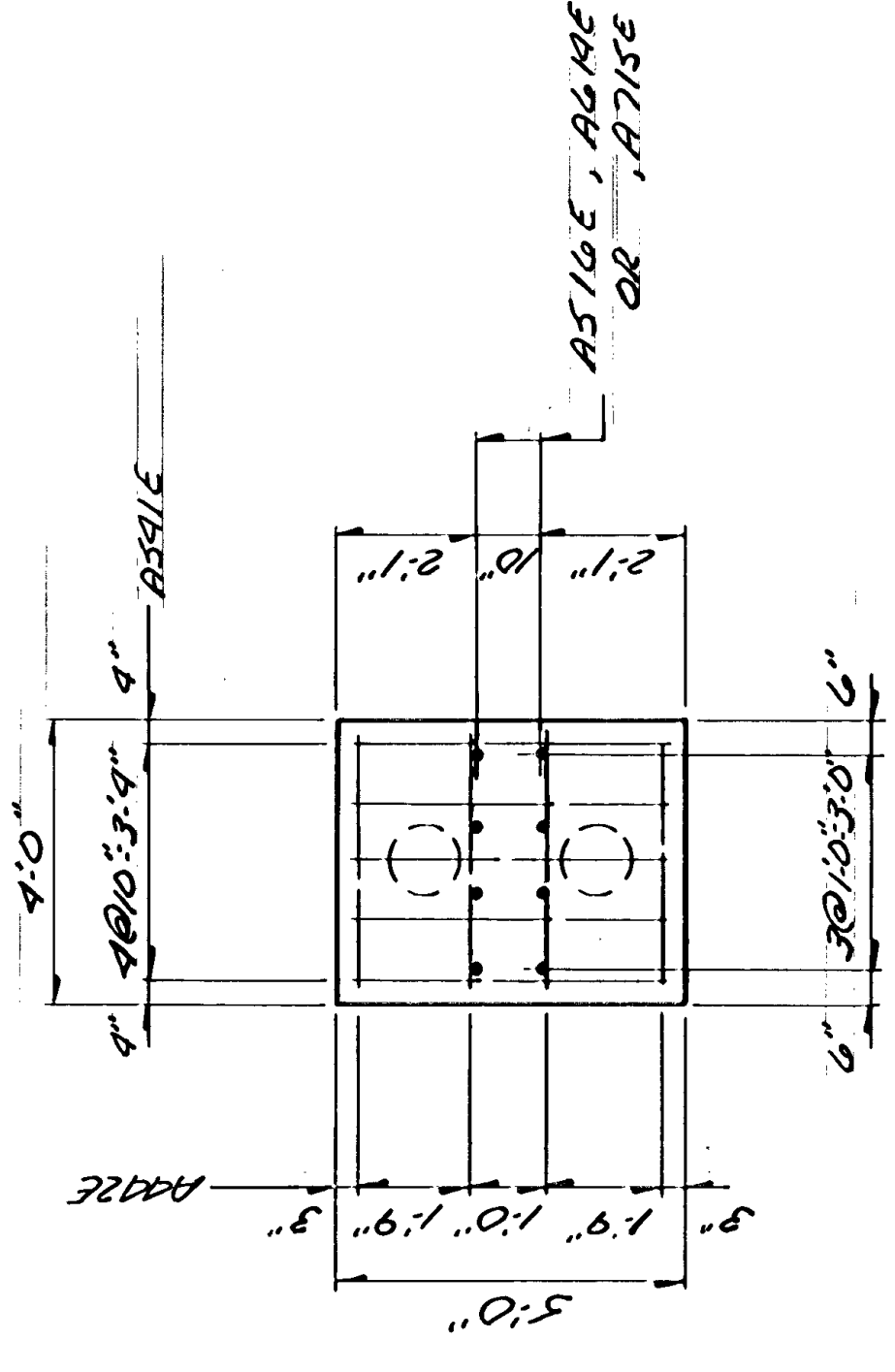


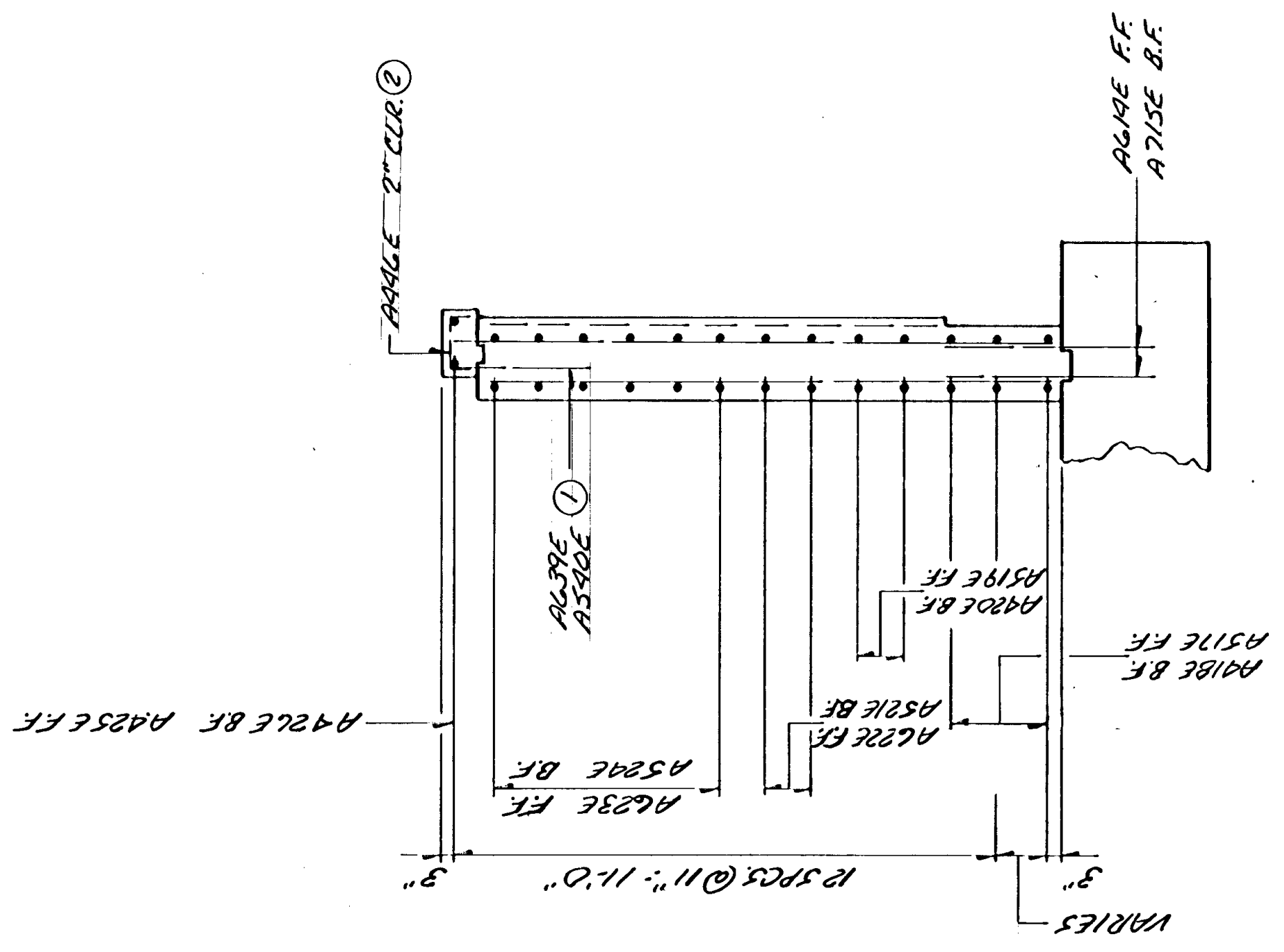
SECTION A-A



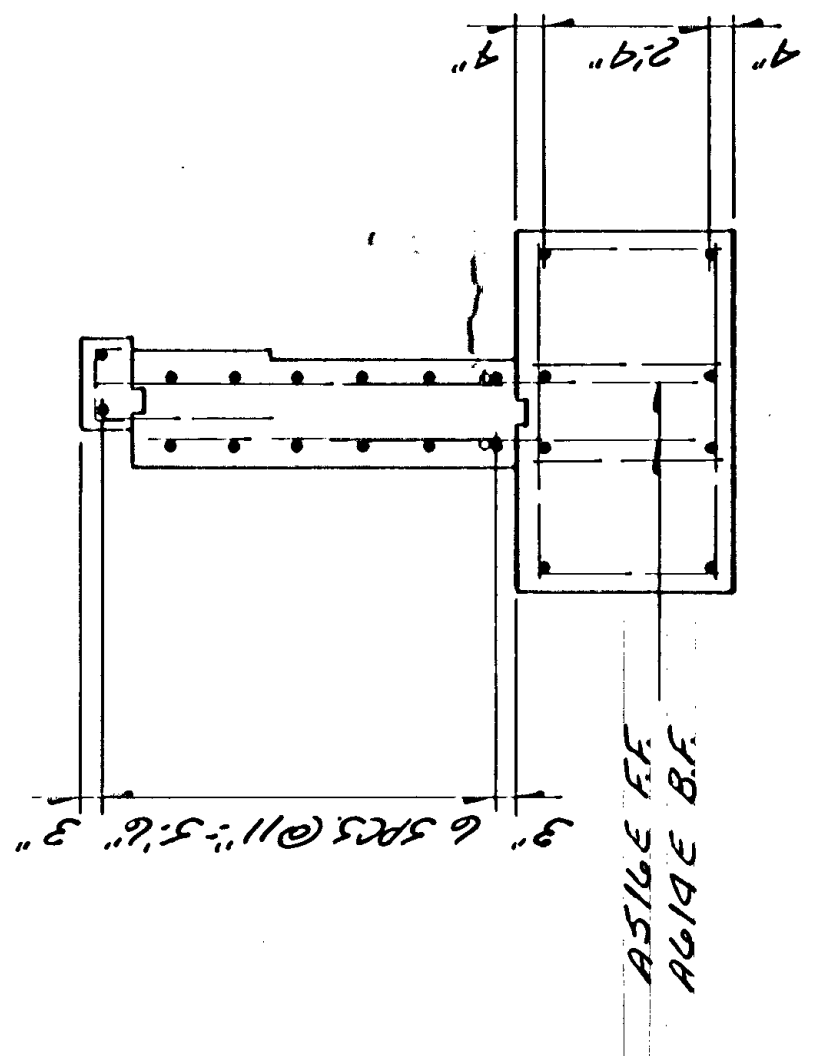
ELEVATION
SCALE 3/8" = 1'-0"



VIEW D-D



SECTION B-B



SECTION C-C

- ① SPACE ALONG FACE OF VERTICAL BARS ALONG RE OF WINGWALL.
- ② SPACE ALONG RE OF VERTICAL BARS