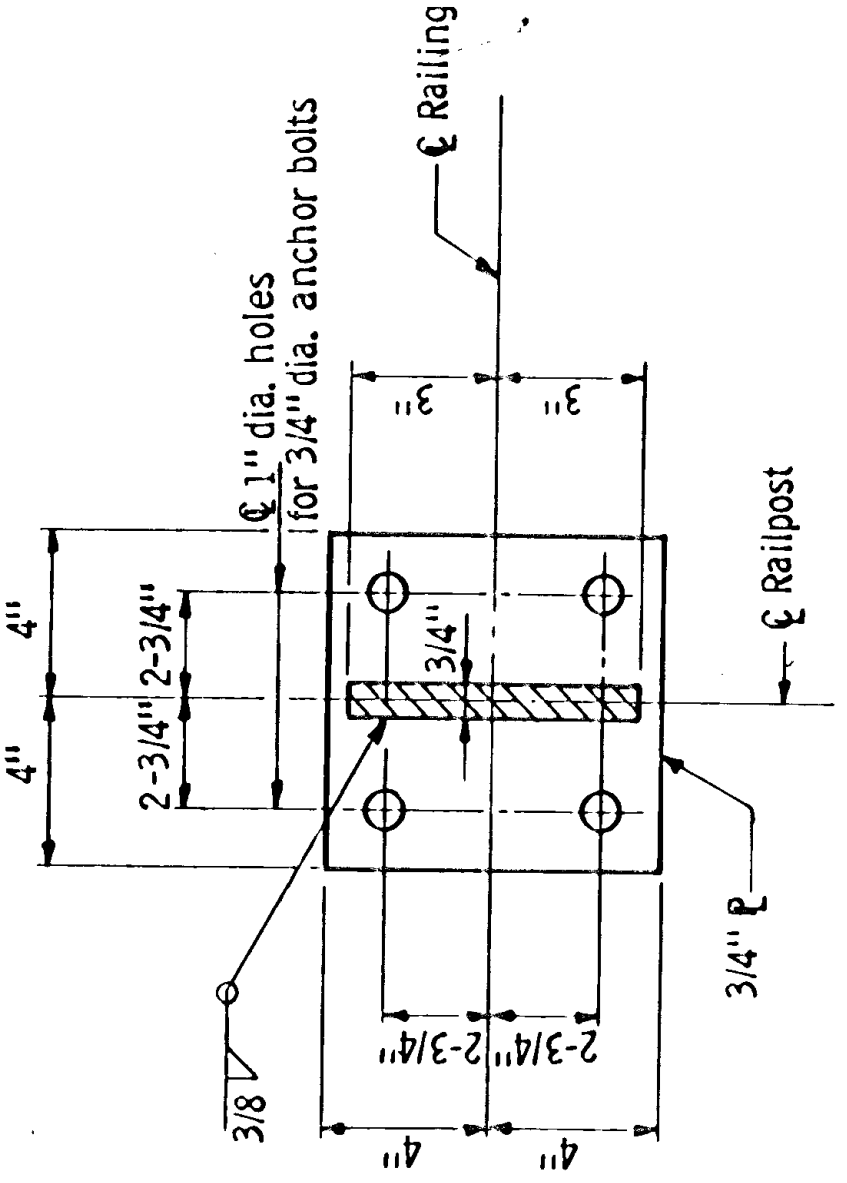
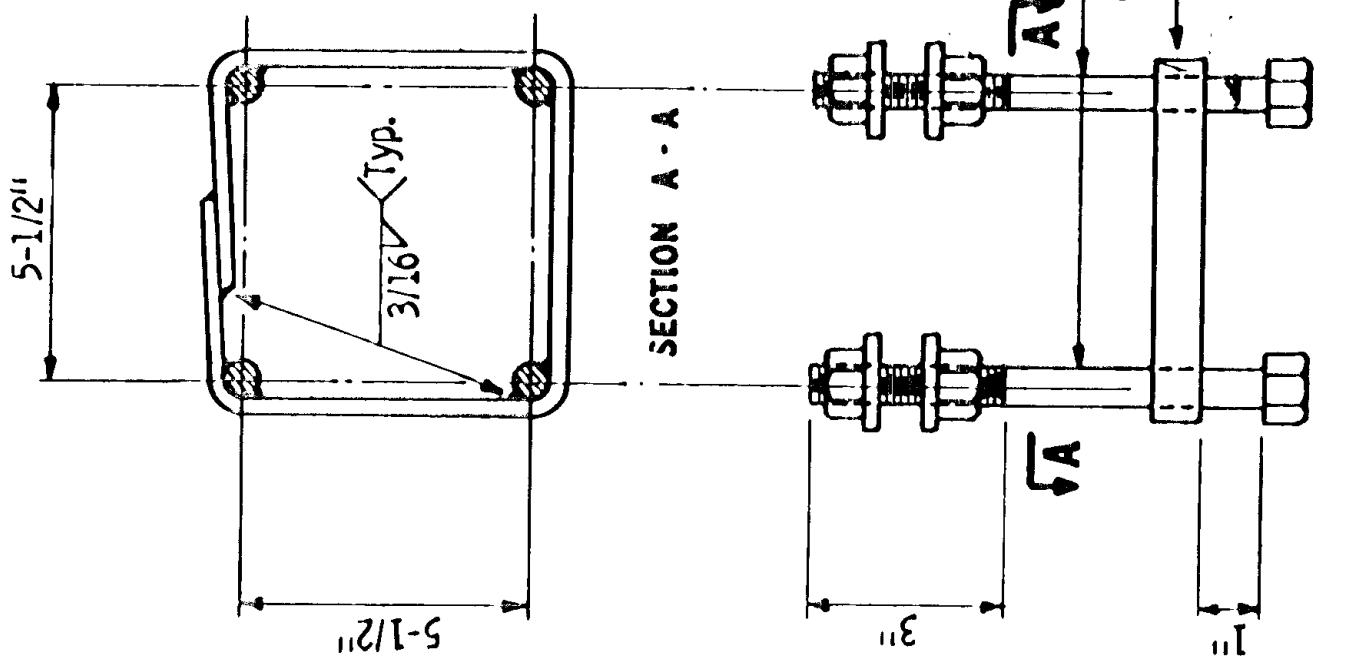


TYP. INTERMEDIATE POST RAILING CONNECTIONS

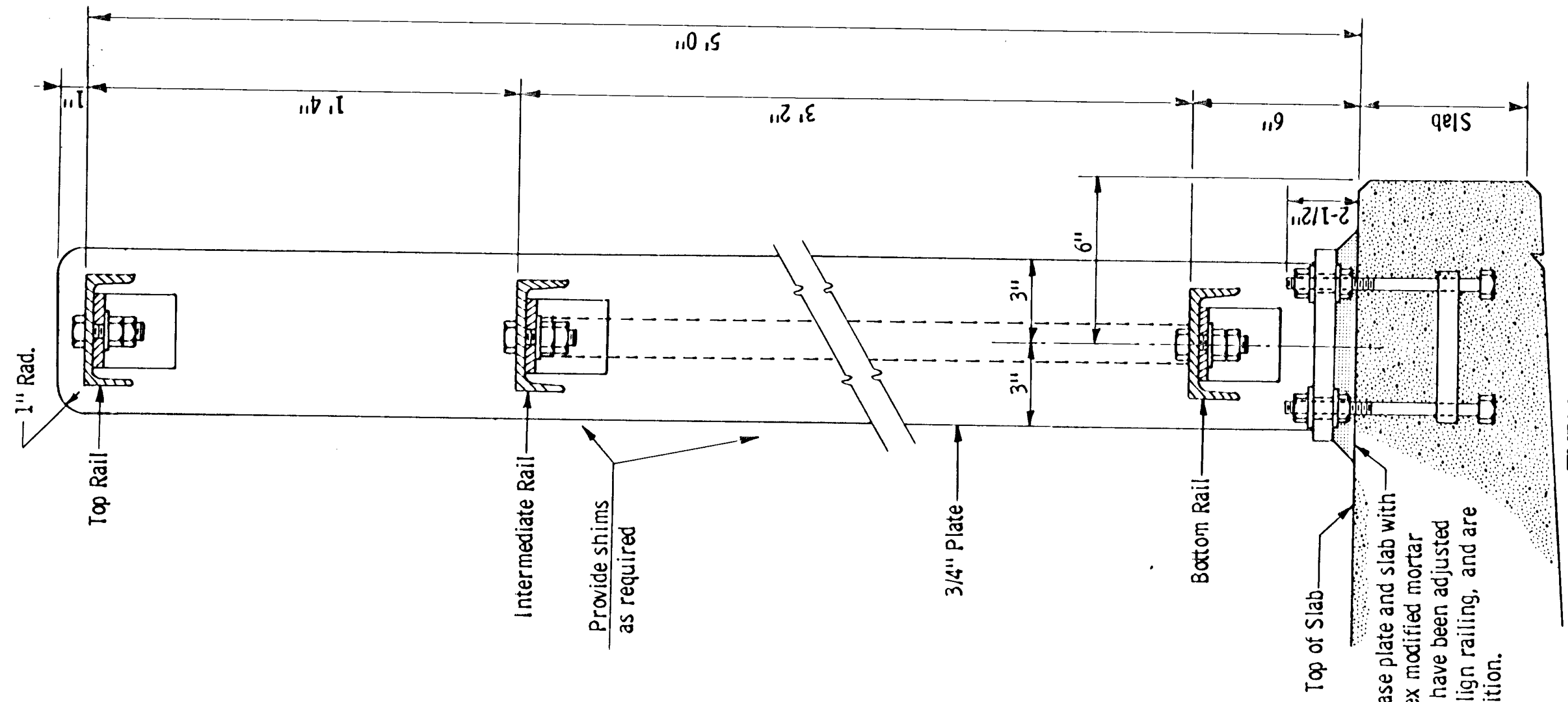


RAILPOST BASE P



RAILPOST ANCHORAGE

This railing will be used only when there is a barrier between the bikeway and the roadway, or on a bikeway bridge with no vehicular traffic.



TYPICAL RAILPOST

All rail posts normal to grade.
Anchorage shall be accurately placed to provide correct alignment of railing. Set normal to grade.
All structural steel shall comply with Spec. 3306.
Galvanize bolts, nuts, and washers per Spec. 3392.
Galvanize all other structural steel per Spec. 3394 after fabrication.
Check special provisions for additional painting requirements at aesthetic locations.

Price bid for metal railing includes all material shown on this sheet.
Length of "metal railing" for payment will be measured from end to end of channel with no deduction for open joint.
All railing members shall be flat after fabrication and galvanizing to within 1/8" in 10 ft. by mechanical means without damage to the zinc coating.

Revised: June 10, 1983
Approved: July 22, 1980
DES: []
CHE: []
APPROVED: []
FIG. 5-397.150

METAL RAILING FOR BIKEWAYS
Sheet No. 324 of 46A Sheets
Bridge No. 02545