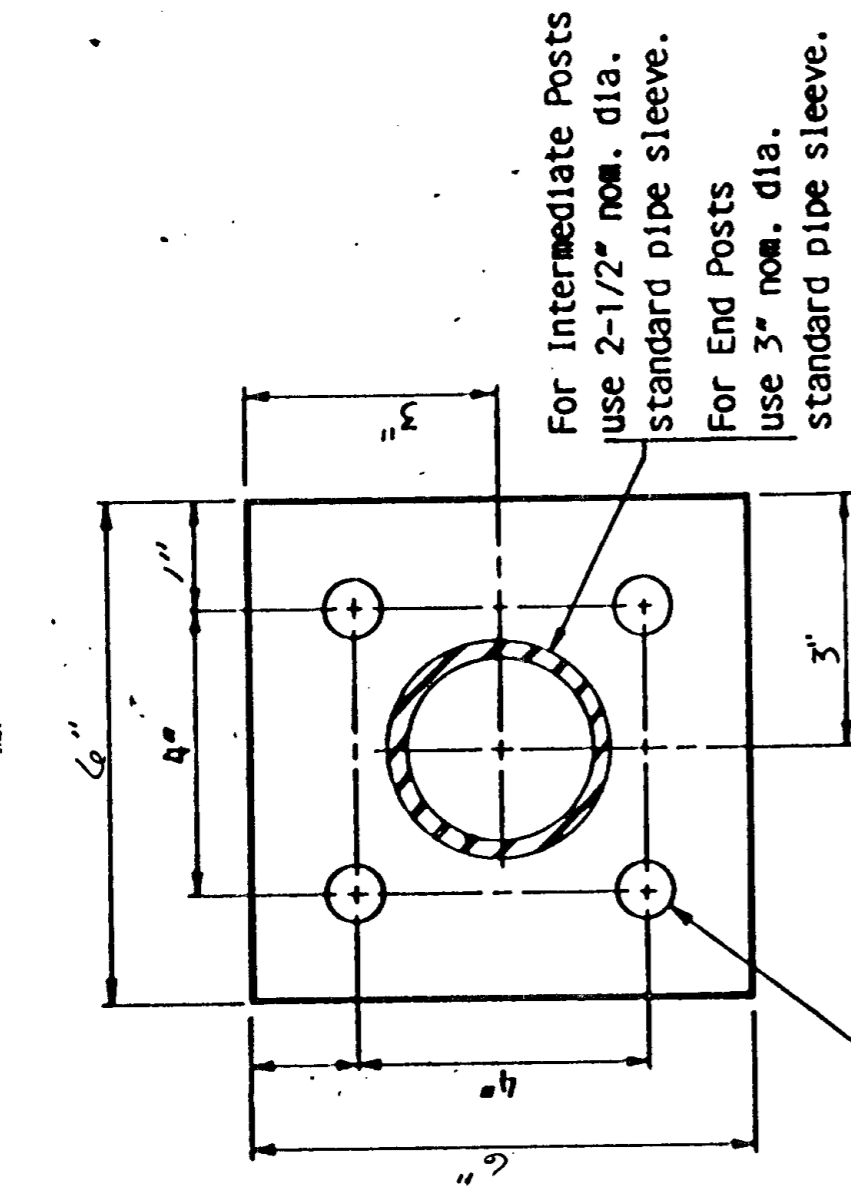


PLAN VIEW

TYPE A

Estimated Weight = 11 or 12 lbs.

1-1/16" dia. holes, 3/4" dia. bolts, nuts, washers, lockwashers & approved conc. anchorage. See special provisions. Ultimate pull out strength = 16 Kips min.

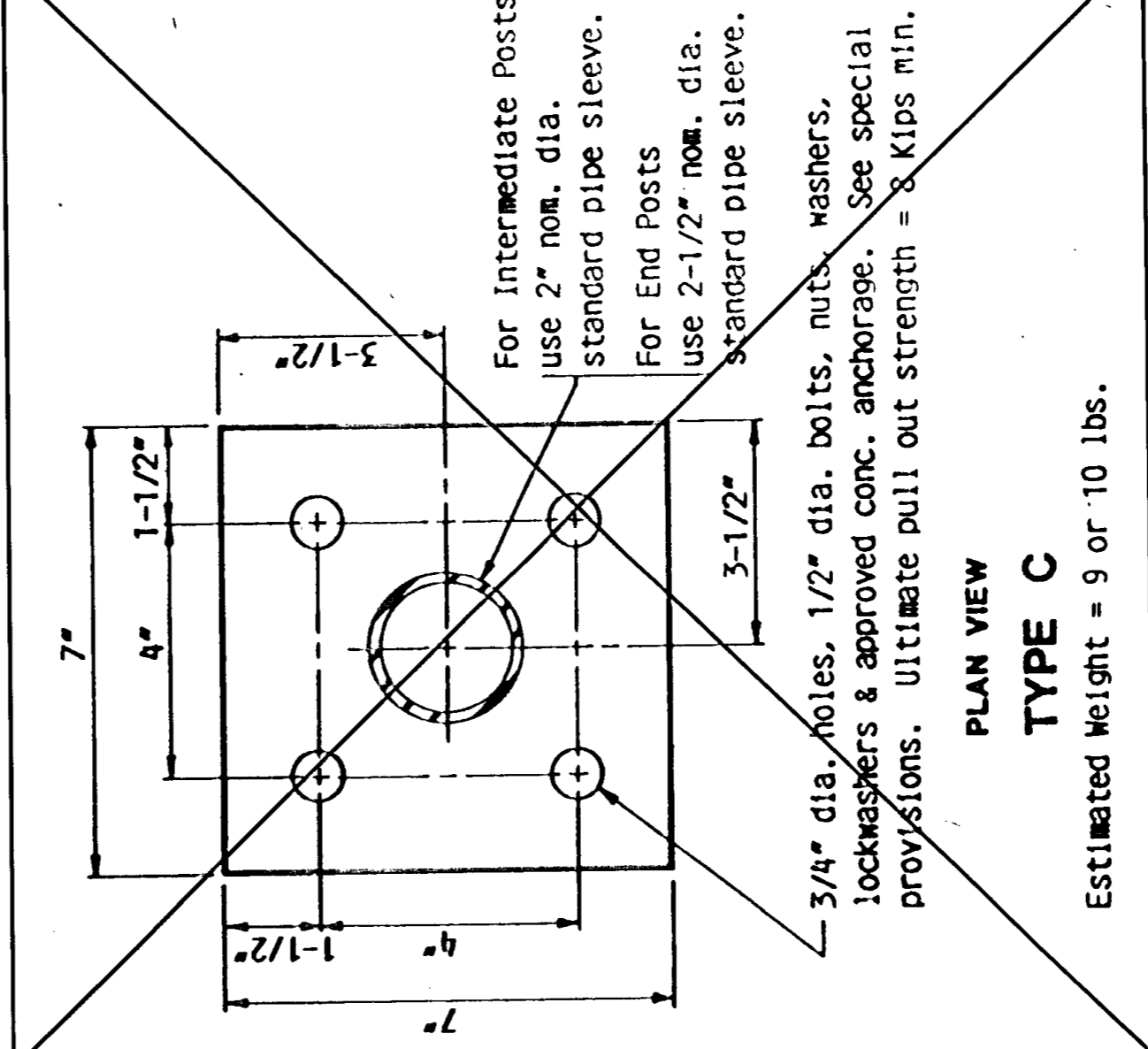


PLAN VIEW

TYPE B

Estimated Weight = 10 or 11 lbs.

3/4" dia. holes, 1/2" dia. bolts, nuts, washers, lockwashers & approved conc. anchorage. See special provisions. Ultimate pull out strength = 8 Kips min.



PLAN VIEW

TYPE C

Estimated Weight = 9 or 10 lbs.

3/4" dia. holes, 1/2" dia. bolts, nuts, washers, lockwashers & approved conc. anchorage. See special provisions. Ultimate pull out strength = 8 Kips min.

NOTES:

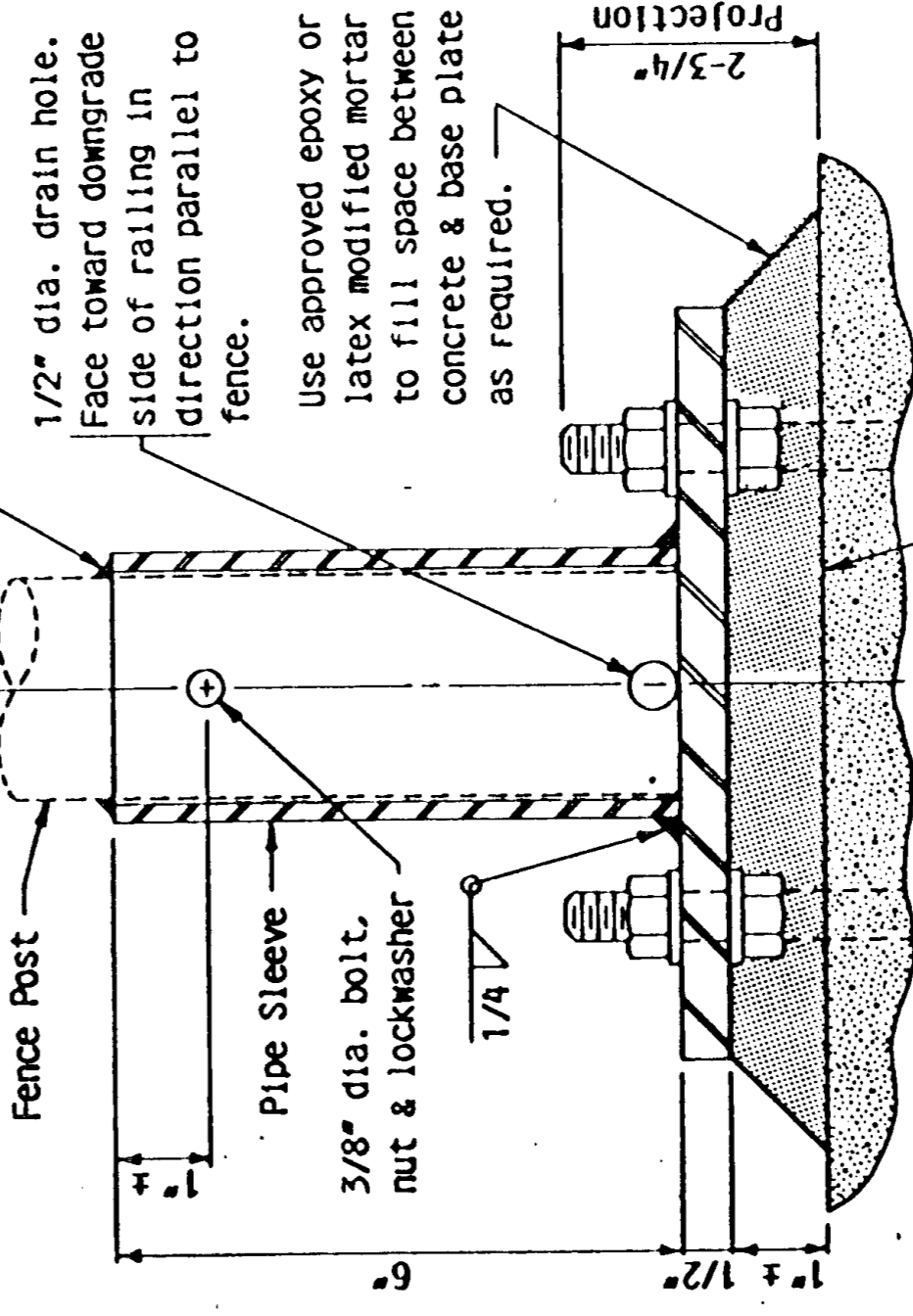
Structural Steel per Spec. 3306
Structural Pipe per Spec. 3362

Galvanize the fence post anchorage after fabrication per Spec. 3394. Galvanize the fasteners per Spec. 3392

STANDARD PIPE WEIGHTS:

2" nom. dia. = 3.65 lbs./ft.
2-1/2" nom. dia. = 5.79 lbs./ft.
3" nom. dia. = 7.58 lbs./ft.

Post shall be caulked 1" deep with silicone rubber or asphaltic caulking compound.



TYPICAL SECTION

APPROVED: NOV. 26, 1985

Developed by: ENGINEERING STANDARDS & BRIDGES AND STRUCTURES OFFICES

Issued by: OFFICE OF ENGINEERING STANDARDS

STATE OF MINNESOTA
DEPARTMENT OF TRANSPORTATION

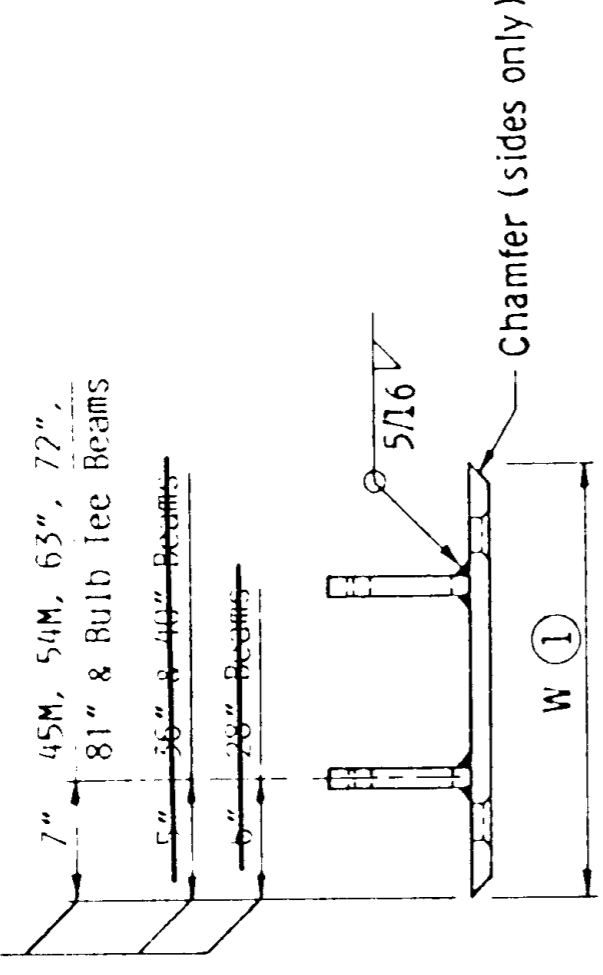
FENCE POST ANCHORAGE

REVISION

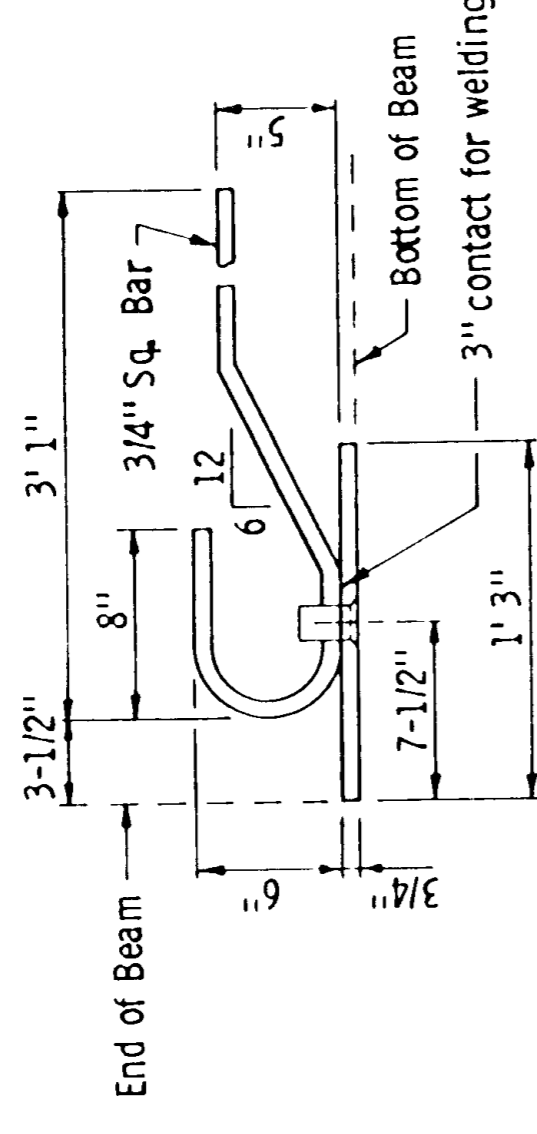
DETAIL NO.

B905

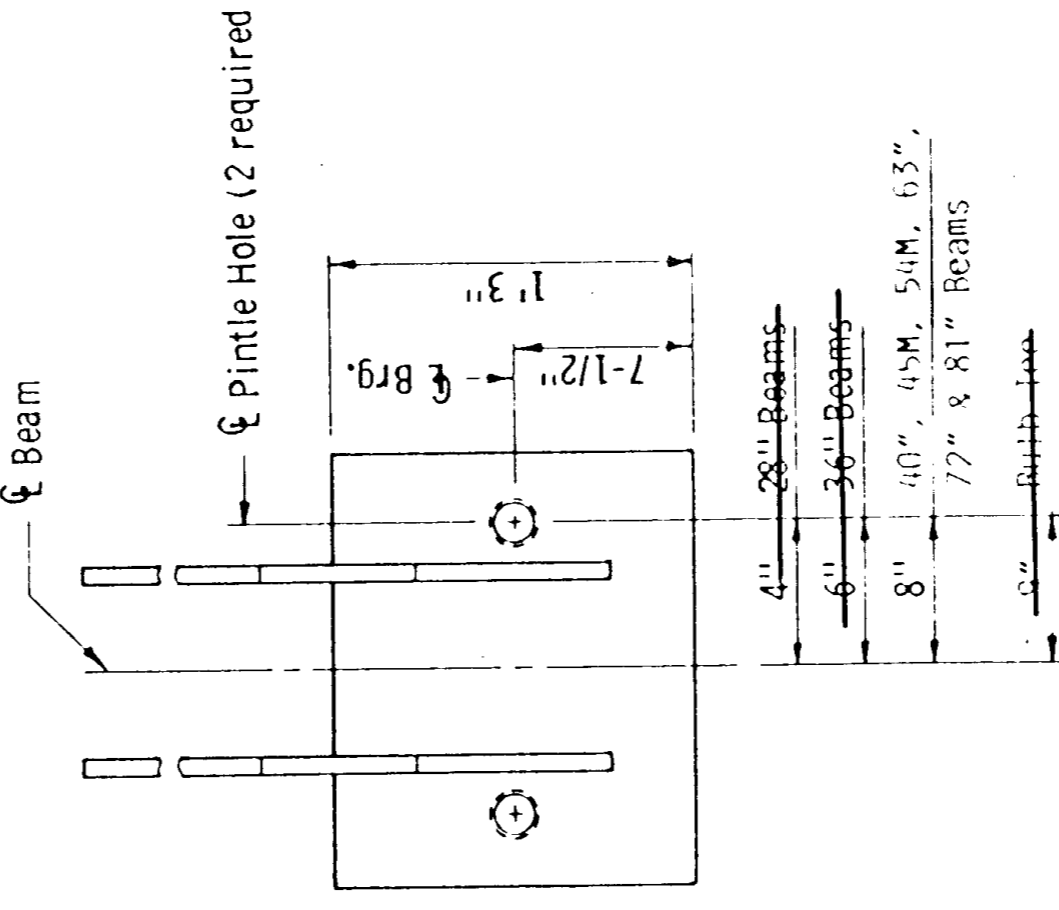
These dimensions may be modified to clear prestressed strands. However, changes must be approved by the Engineer.



FRONT VIEW

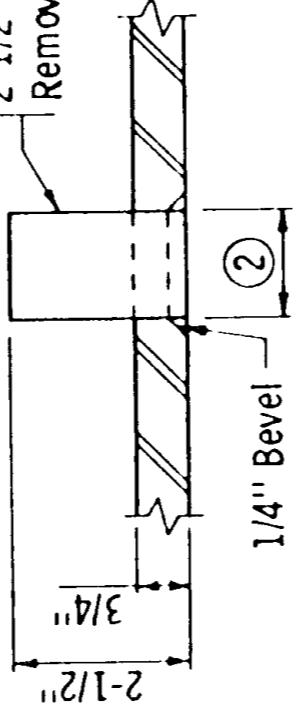


SIDE VIEW



TOP VIEW

PINTLE HOLE DETAIL



NOTES:

Material to be structural steel per Spec. 3306
Sole plate for Bearing Assembly to be hot dipped galvanized per Spec. 3394 after fabrication.
Pintle holes shall be free of zinc build up from galvanizing.
Payment for sole plates to be included in price bid for Prestressed Concrete Beams.

① Dimension "W" to be the width at the bottom flange of the beam minus 1/4".

② 1-1/2" dia. for 1-1/4" dia. pintles.
1-3/4" dia. for 1-1/2" dia. pintles.

Check bearing assemblies for pintle size used.

APPROVED: MARCH 17, 1987
Developed by: ENGINEERING STANDARDS & BRIDGES AND STRUCTURES OFFICES
Issued by: ENGINEERING STANDARDS

STATE OF MINNESOTA
DEPARTMENT OF TRANSPORTATION

**SOLE PLATE
PRESTRESSED CONCRETE BEAMS
(FOR BEARINGS WITH PINTLES)**

REVISION

DETAIL NO.

B303