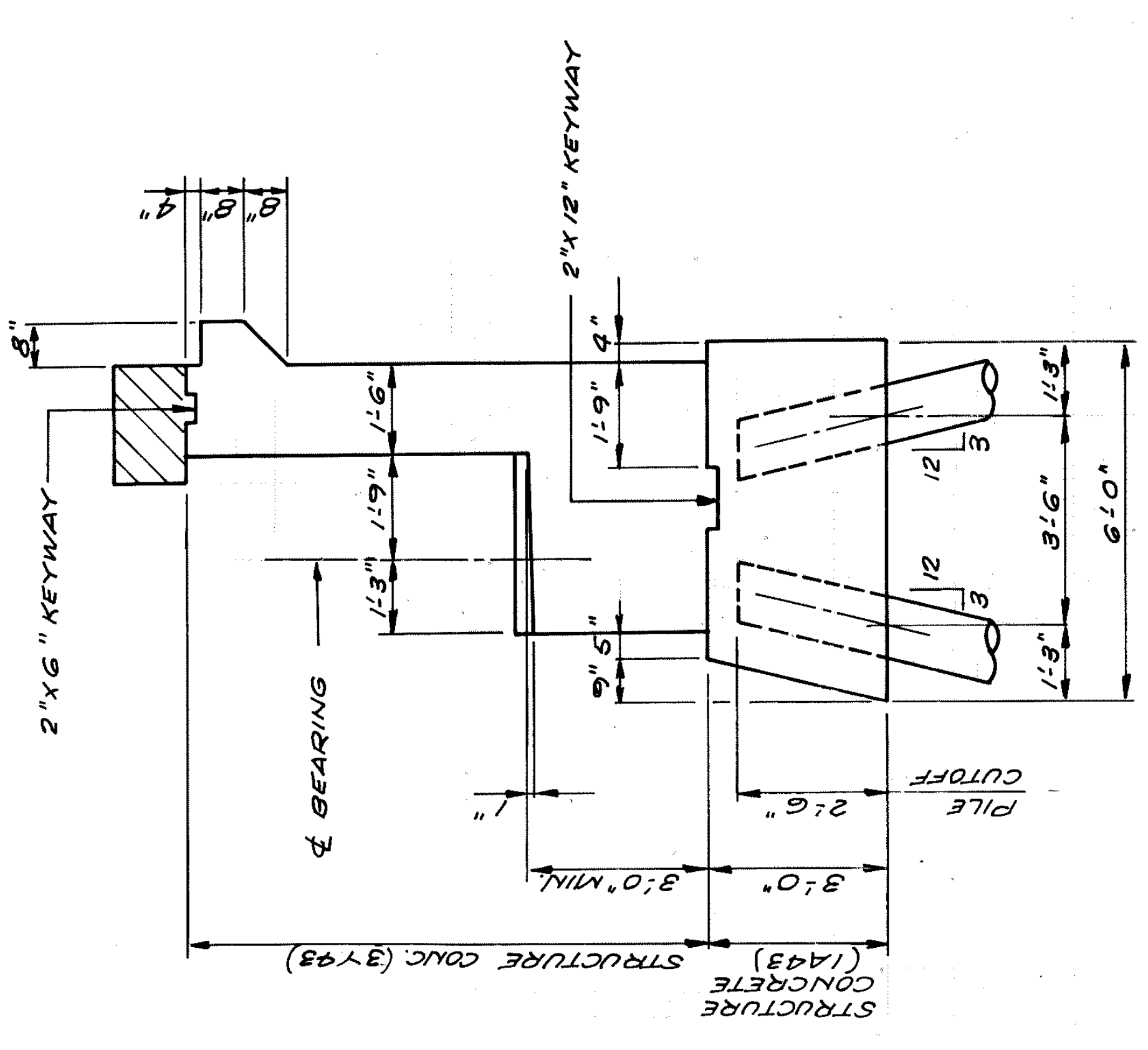
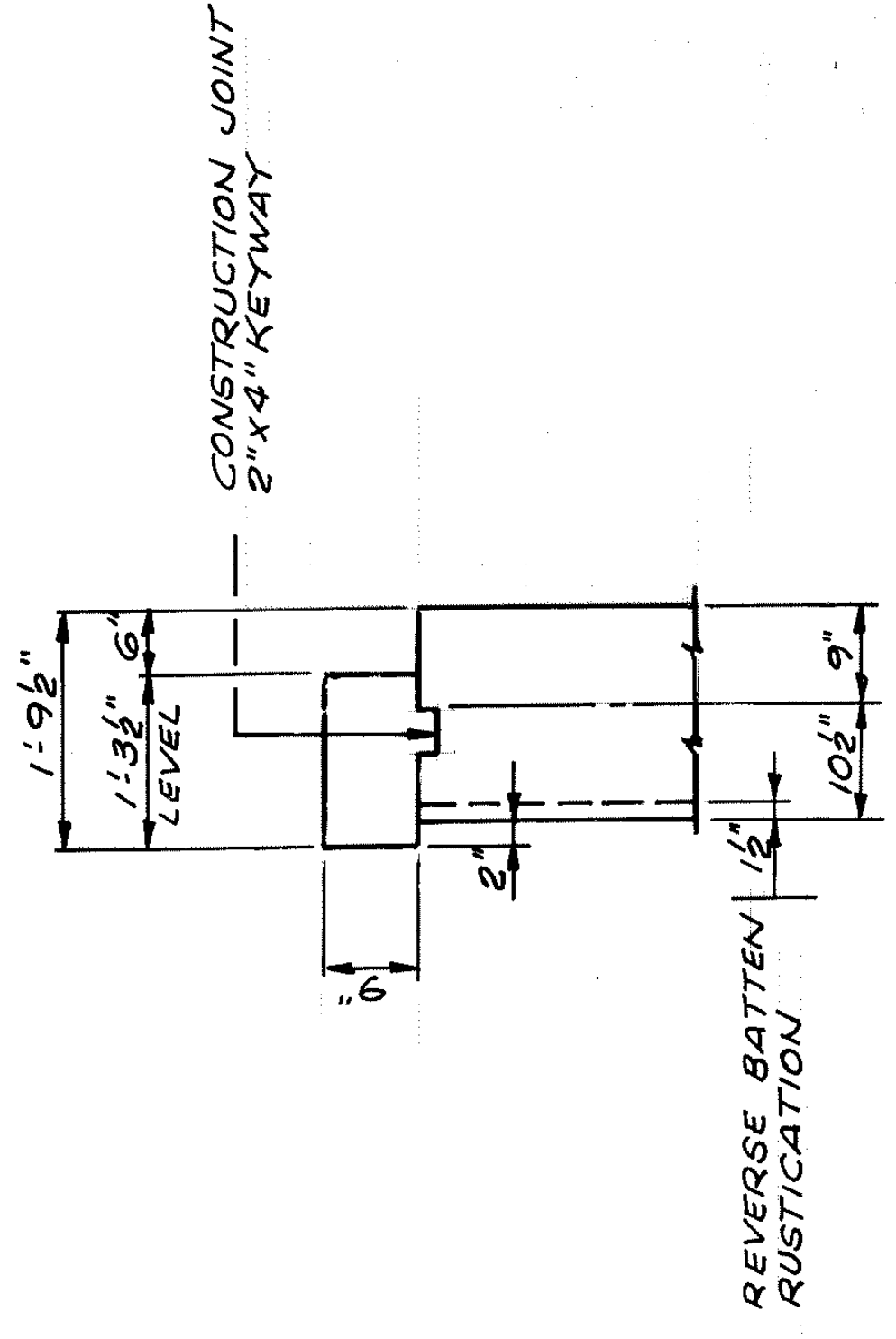


S.W. WINGWALL

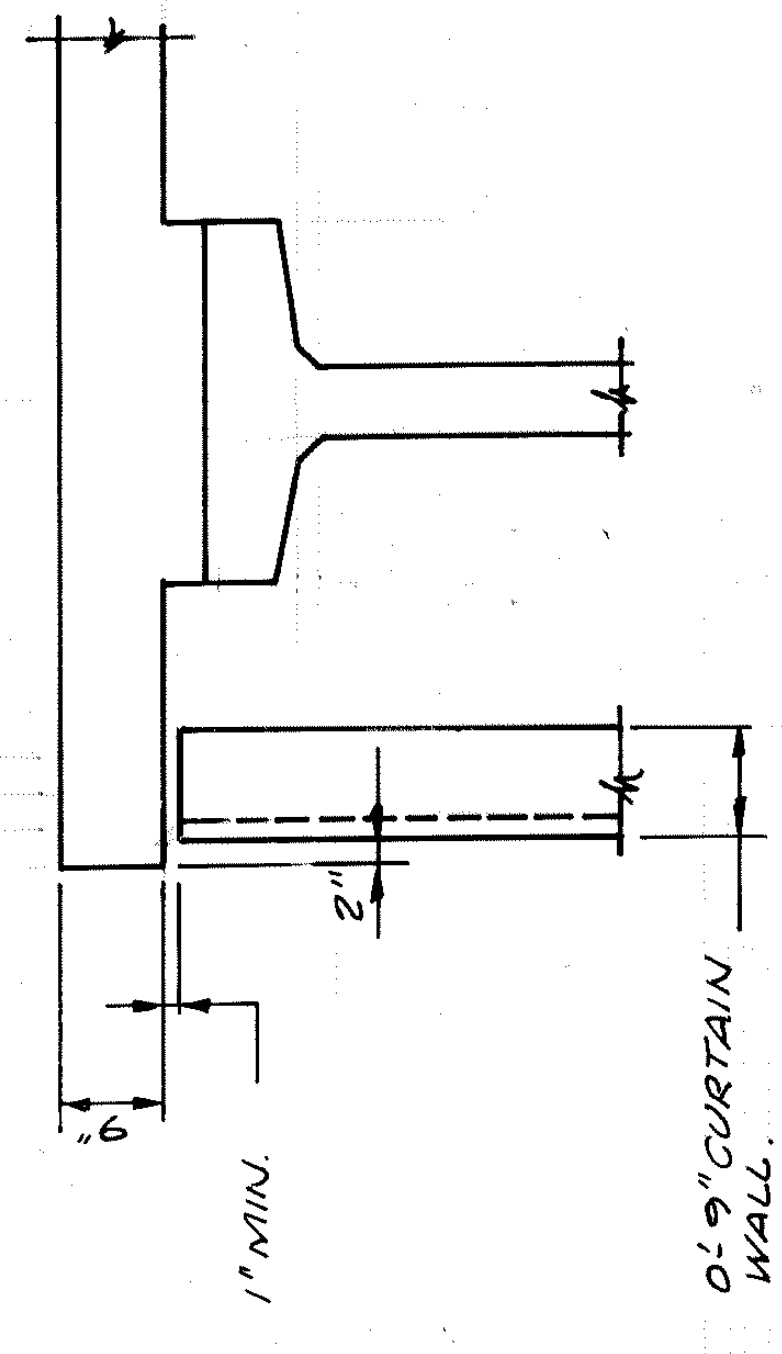
SCALE: $\frac{3}{8}'' = 1'-0''$



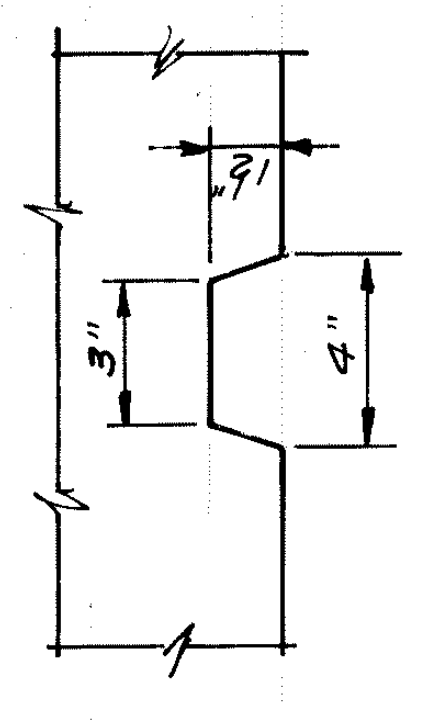
SECTION A-A



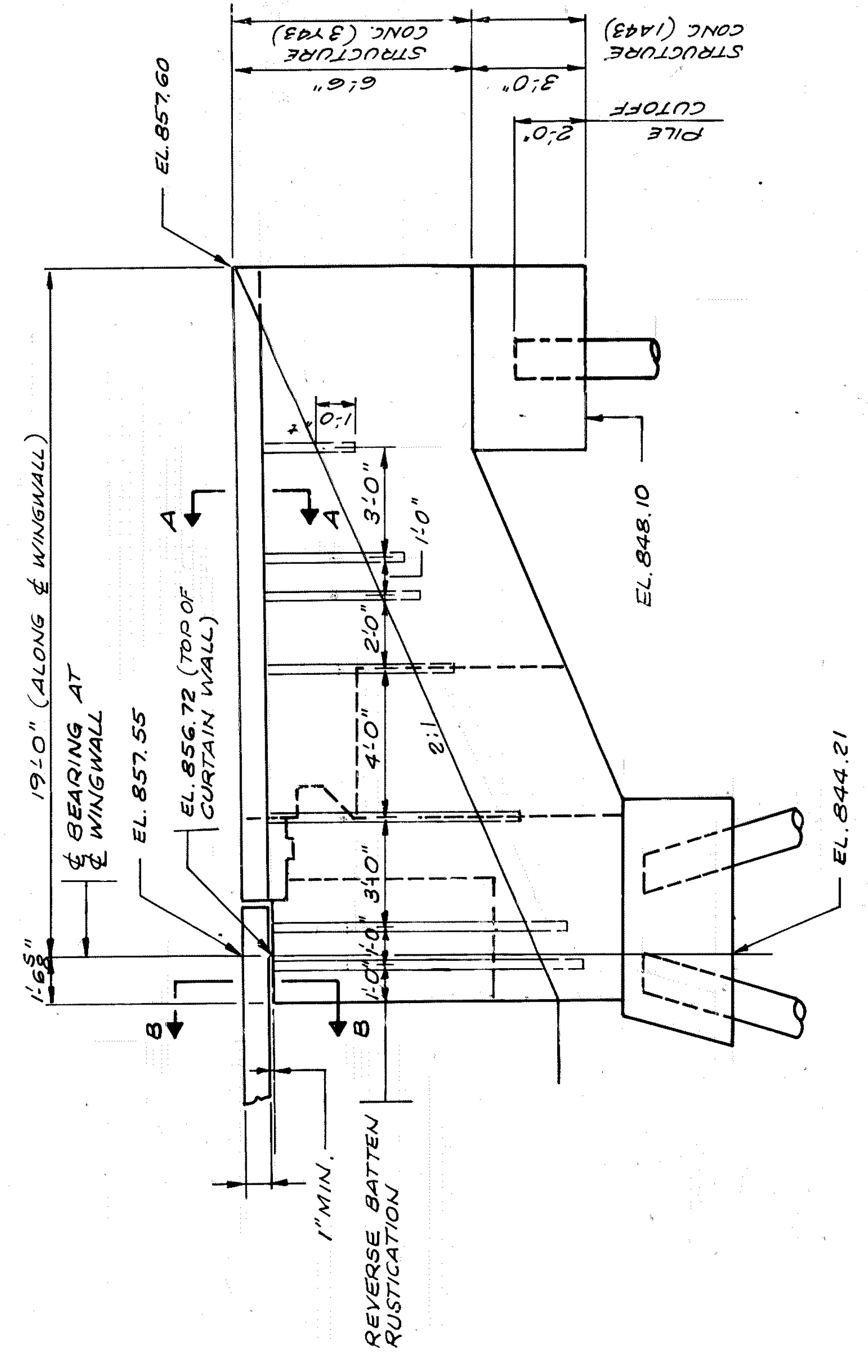
REVERSE BATTEN RUSTICATION



SECTION B-B



REVERSE BATTEN RUSTICATION DETAIL



N.W. WINGWALL

SCALE: $\frac{3}{8}'' = 1'-0''$

SECTION THRU ABUTMENT

WEST ABUTMENT DETAILS C.P. 88-09-116	DRAWN	CHECKED	APPROVED
	W. N. J.	B. D. W.	
SHEET 58 OF 368 SHEETS			BRIDGE NO. 02546