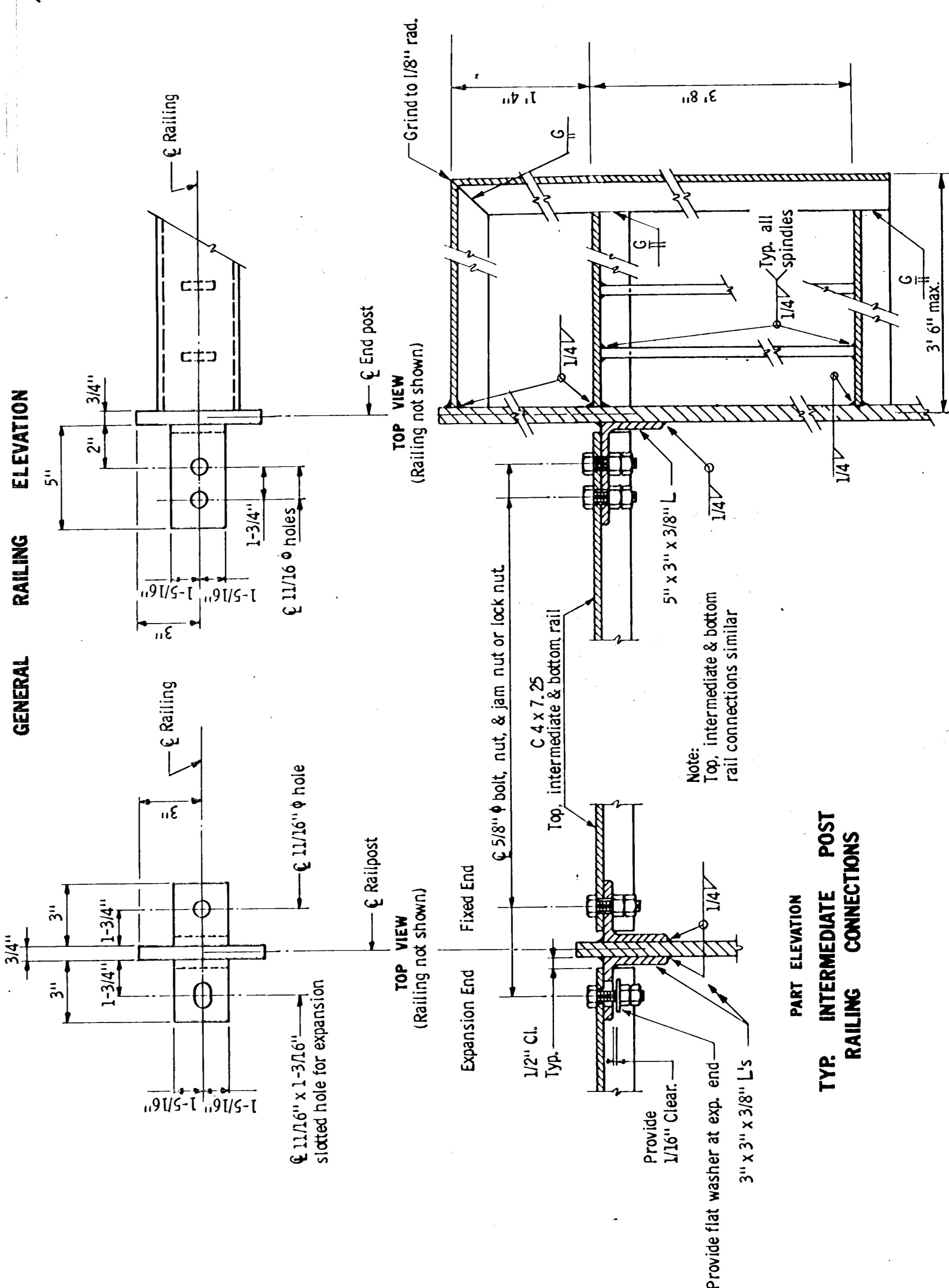
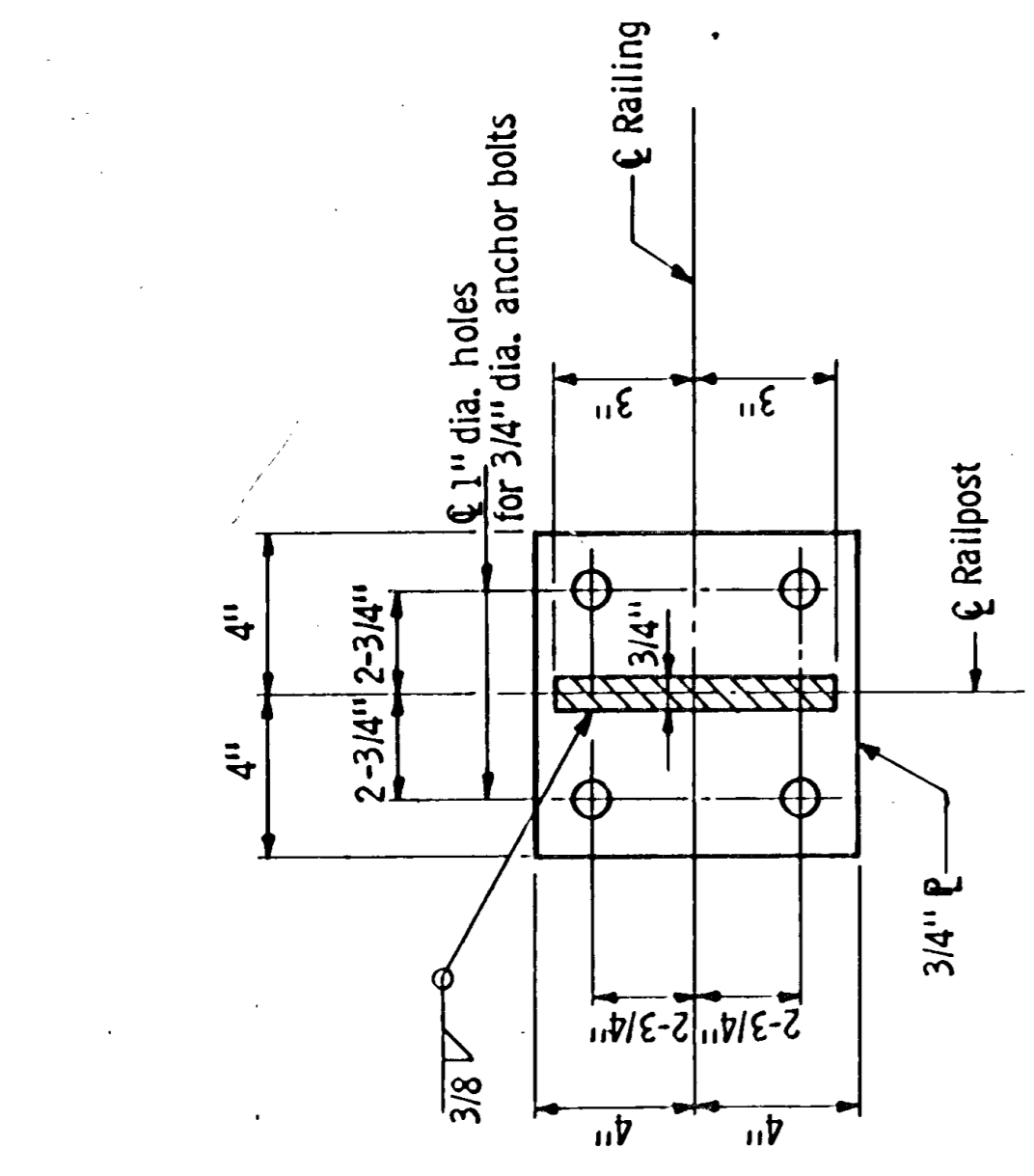


**EXPANSION JOINT**  
Expansion Device in slab not shown. See Superstructure sheets.

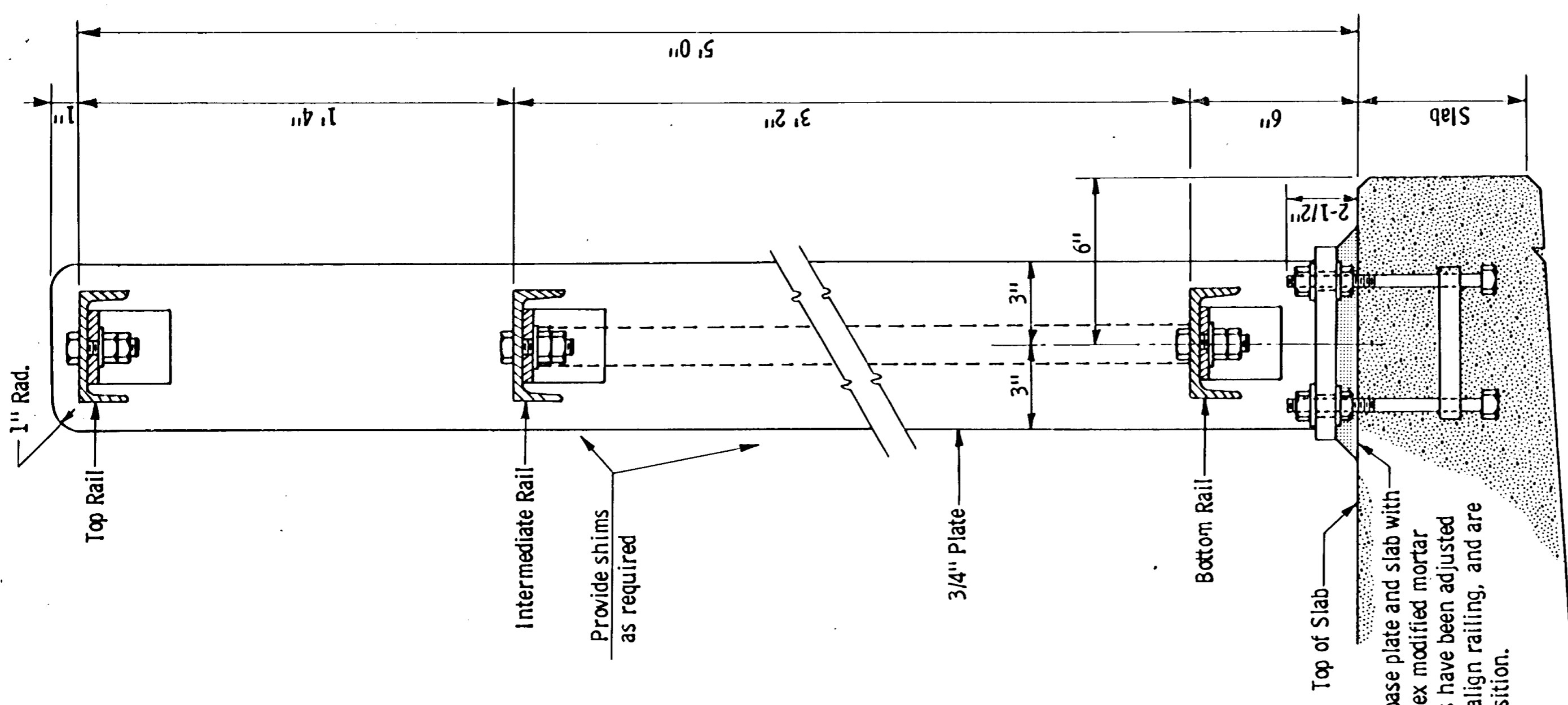


**GENERAL RAILING ELEVATION**

**PART ELEVATION**  
**TYP. INTERMEDIATE POST RAILING CONNECTIONS**



**RAILPOST BASE P**



**TYPICAL RAILPOST**

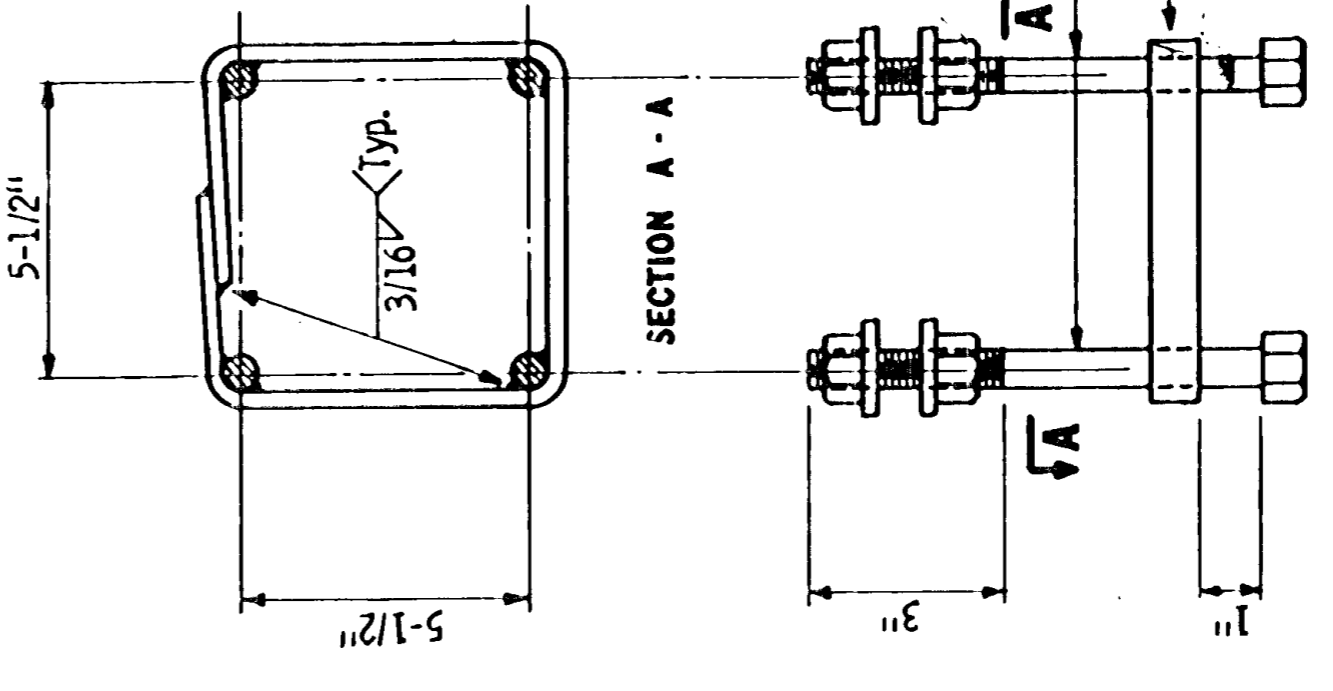
Pack space between base plate and slab with approved epoxy or latex modified mortar after anchorage nuts have been adjusted to plumb rail posts, align railing, and are tightened in final position.

- All rail posts normal to grade.
- Anchorage shall be accurately placed to provide correct alignment of railing. Set normal to grade.
- All structural steel shall comply with Spec. 3306.
- Galvanize bolts, nuts, and washers per Spec. 3392.
- Galvanize all other structural steel per Spec. 3394 after fabrication.

Check special provisions for additional painting requirements at aesthetic locations. Price bid for metal railing includes all material shown on this sheet.

Length of "metal railing" for payment will be measured from end of channel with no deduction for open joint. All railing members shall be flat after fabrication and galvanizing to within 1/8" in 10 ft. by mechanical means without damage to the zinc coating.

*NOTE: SEE SHEET 15B FOR ANCHORAGE SPACING.*



**RAILPOST ANCHORAGE**

This railing will be used only when there is a barrier between the bikeway and the roadway, or on a bikeway bridge with no vehicular traffic.