

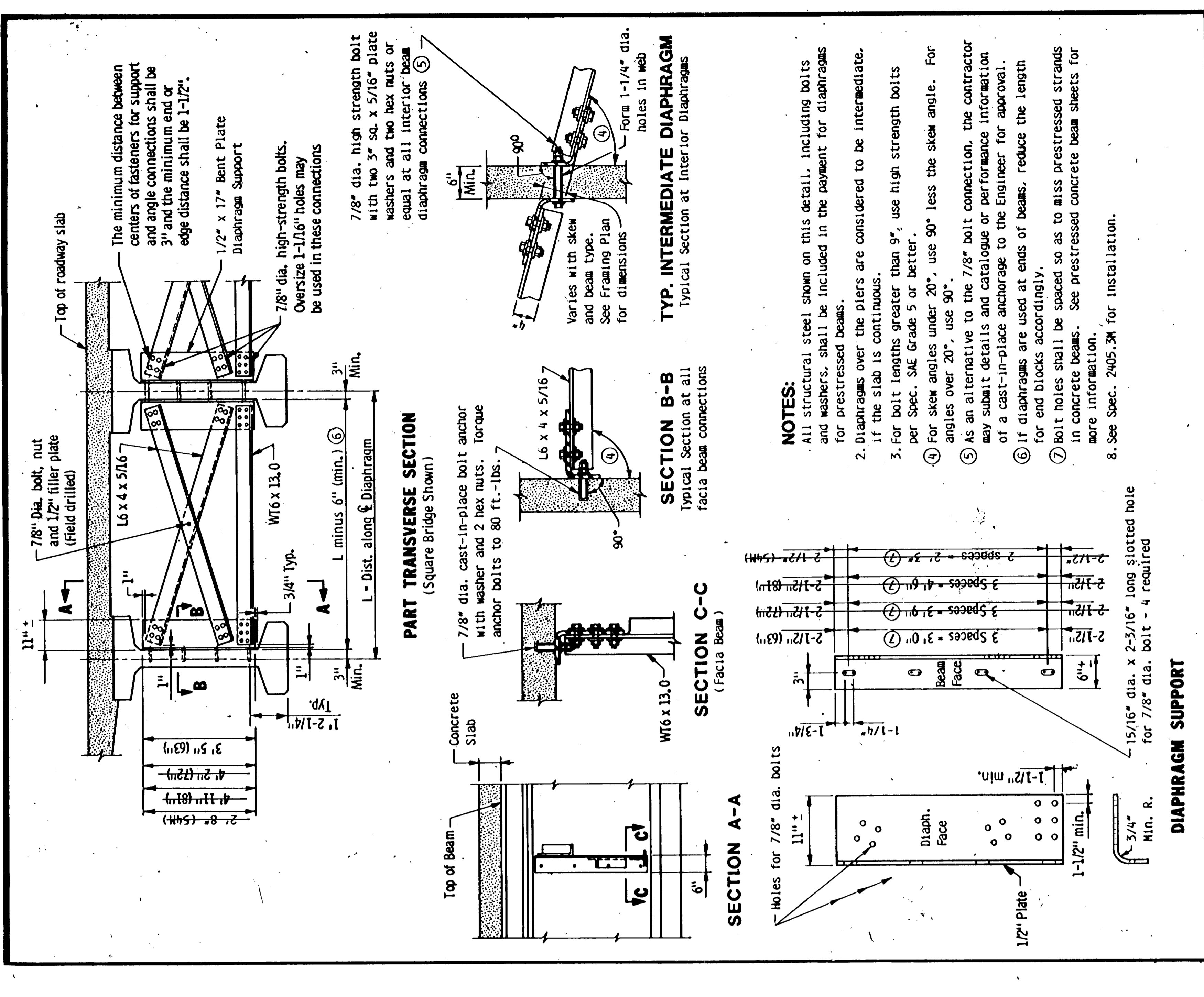
APPROVED: September 24, 1987
Developed by: ENGINEERING STANDARDS and BRIDGES & STRUCTURES
Issued by: ENGINEERING STANDARDS

STATE OF MINNESOTA
DEPARTMENT OF TRANSPORTATION

STEEL INTERMEDIATE WELDED DIAPHRAGM FOR 54M & 63" - 81" PRESTRESSED CONC. BEAMS

REVISION

DETAIL NO. **B405**



APPROVED: September 24, 1987
Developed by: ENGINEERING STANDARDS and BRIDGES & STRUCTURES
Issued by: ENGINEERING STANDARDS

STATE OF MINNESOTA
DEPARTMENT OF TRANSPORTATION

STEEL INTERMEDIATE BOLTED DIAPHRAGM FOR 54M & 63" - 81" PRESTRESSED CONC. BEAMS

REVISION

DETAIL NO. **B406**