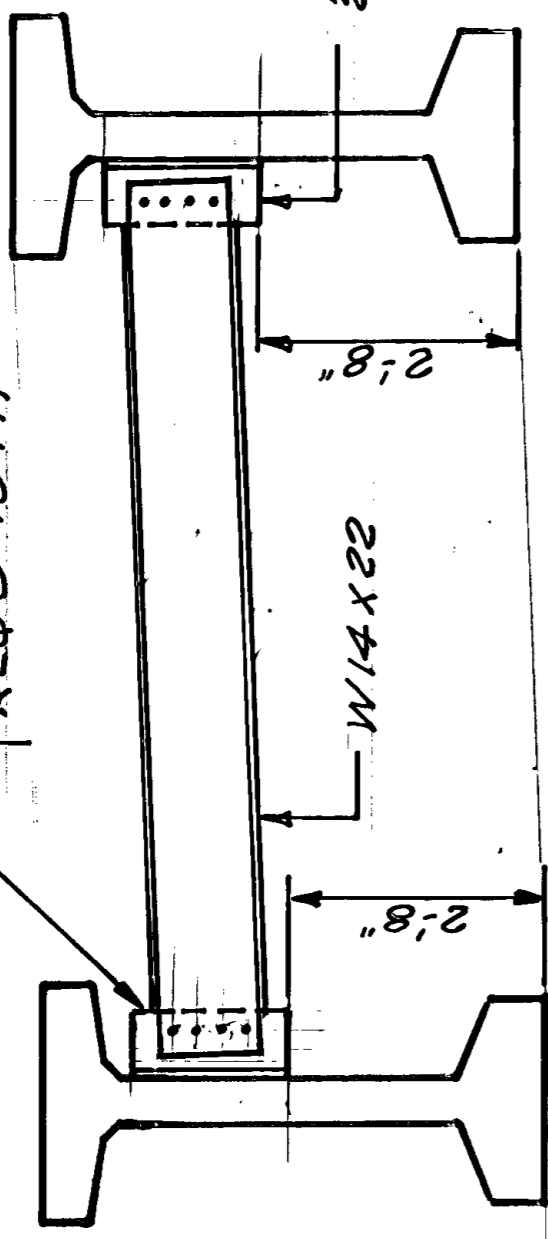
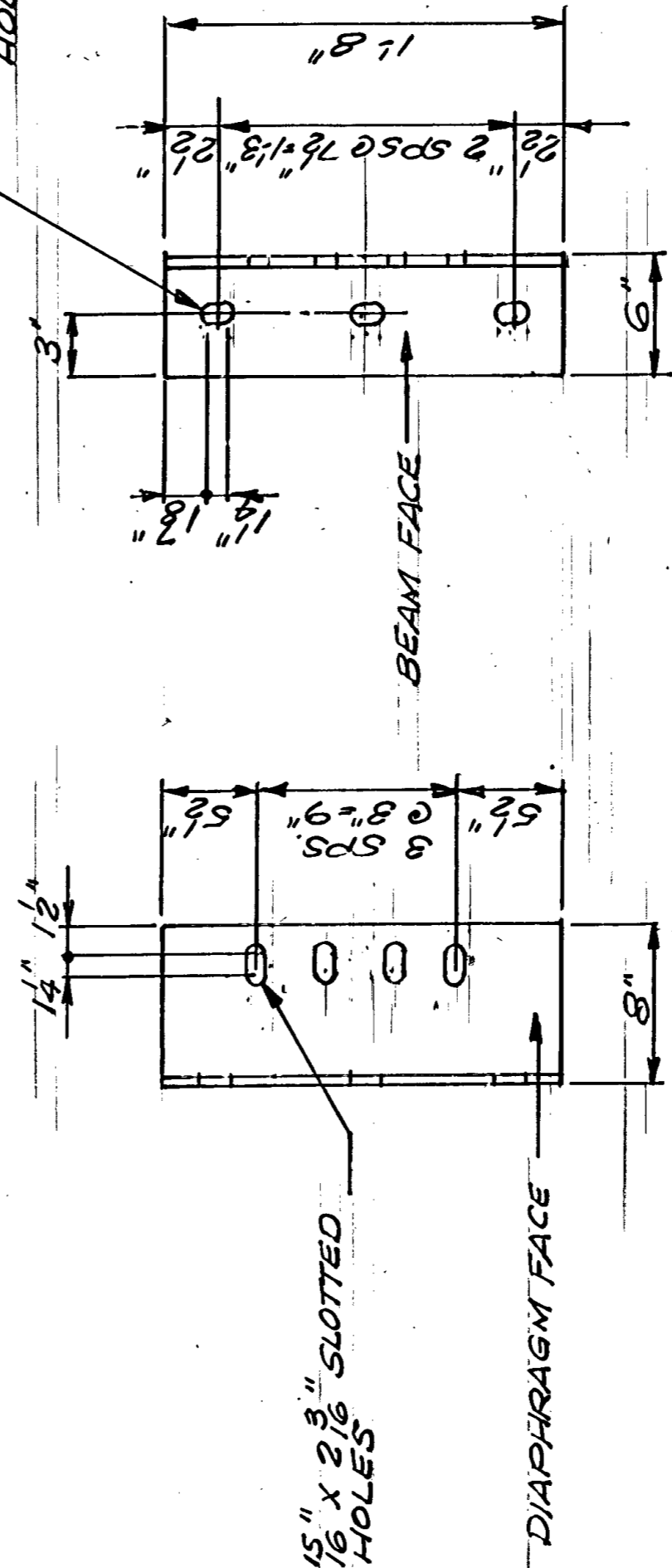


COPE FLANGE
ON W14X22 AS
REQ'D TO FIT

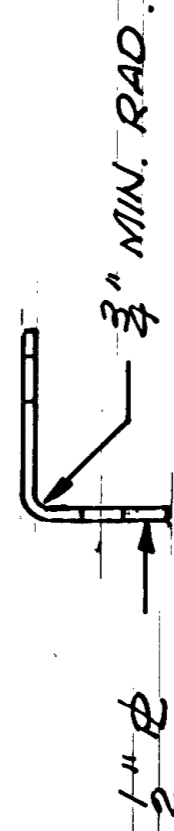


DIAPHRAGMS AT FACIA BAYS

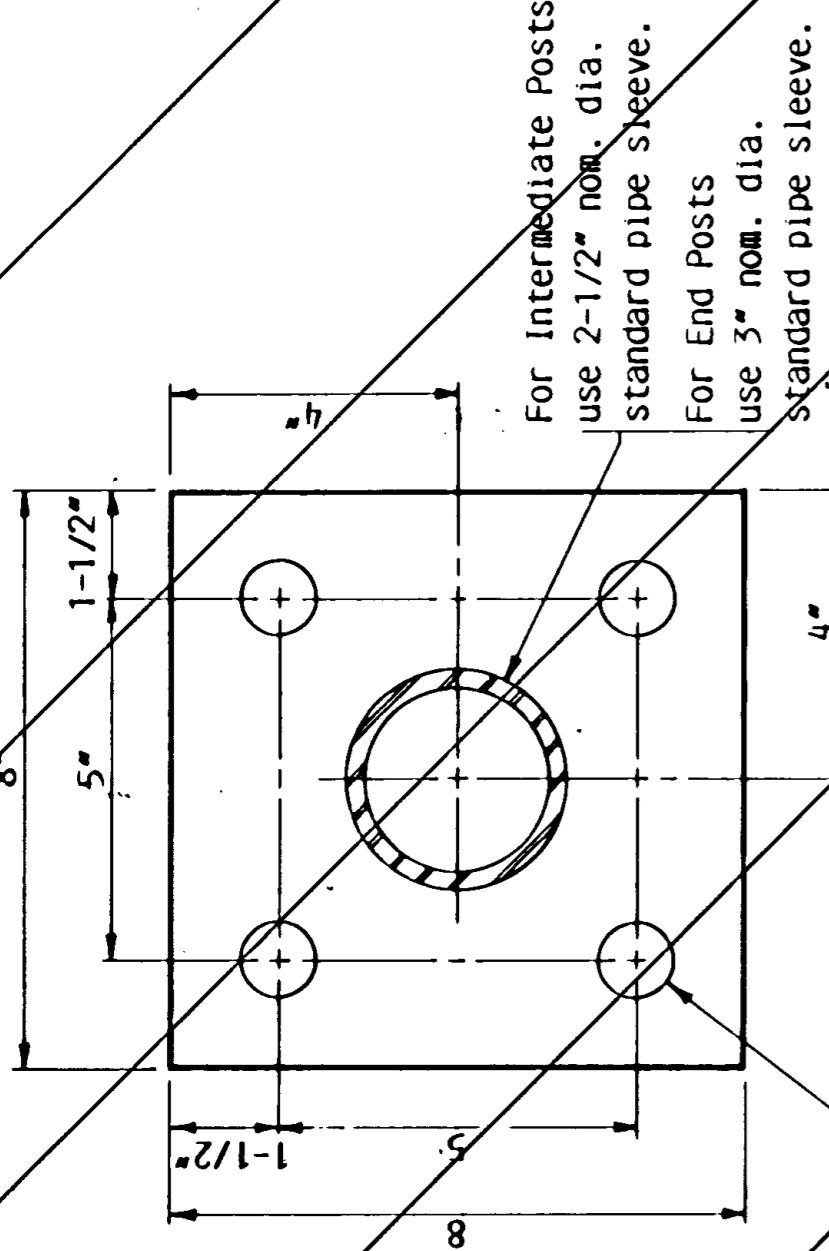


15" x 2 3/16" SLOTTED
HOLES

NOTE:
SEE DETAIL B406 FOR
FASTENING BENT B TO
PRESTRESSED BEAMS &
TO DIAPHRAGMS.

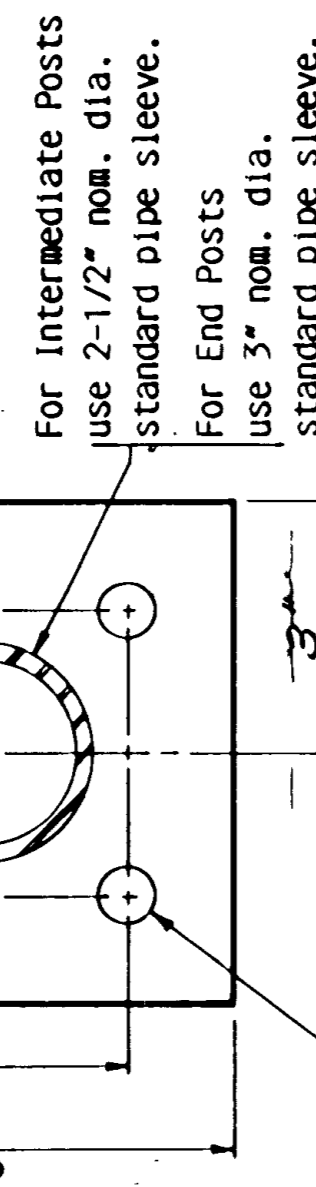


DIAPHRAGM SUPPORT



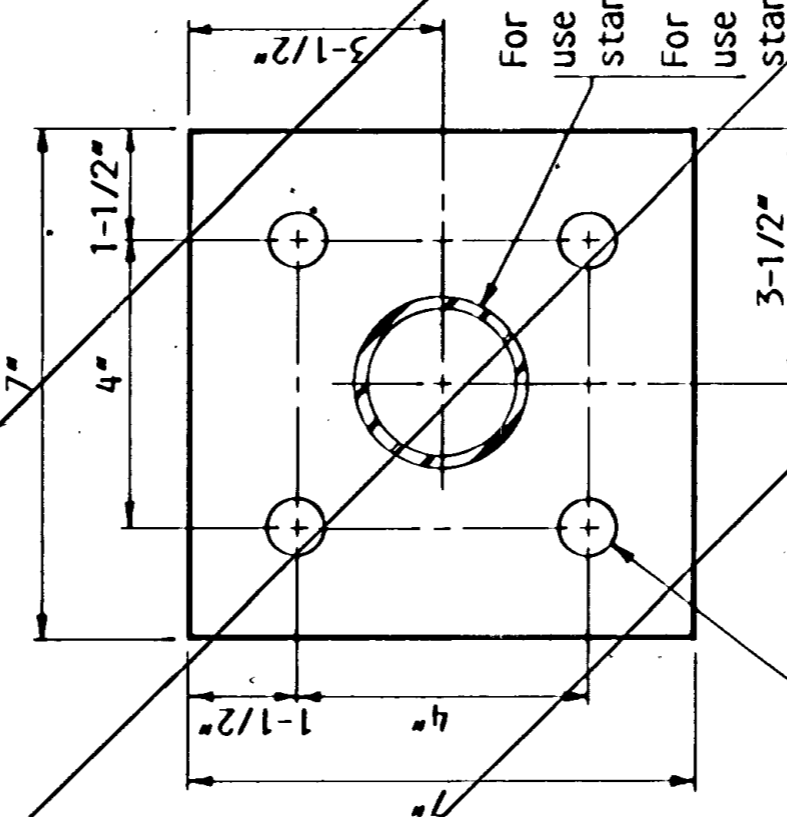
PLAN VIEW
TYPE A

Estimated Weight = 11 or 12 lbs.



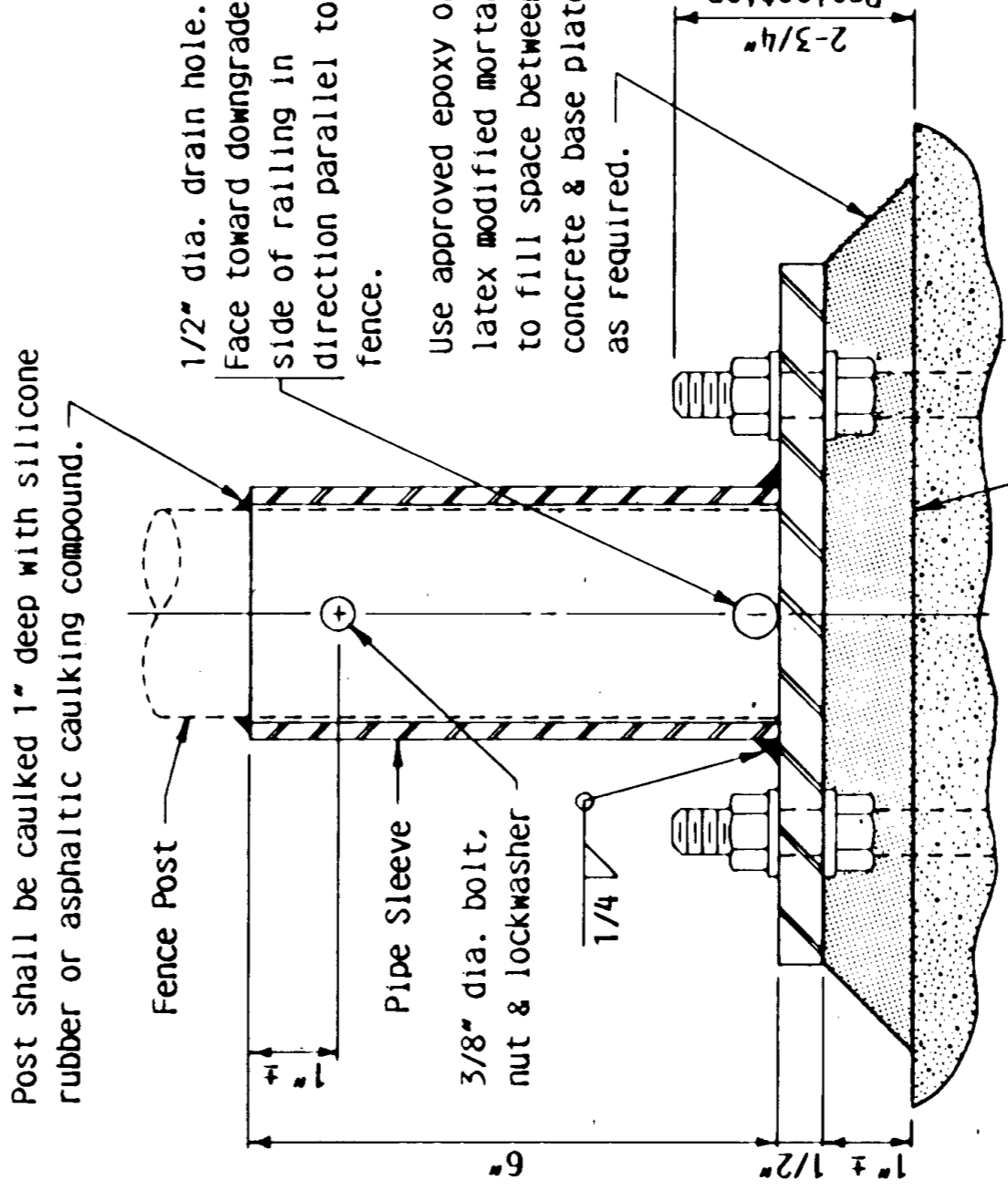
PLAN VIEW
TYPE B

Estimated Weight = 8 or 9 lbs.



PLAN VIEW
TYPE C

Estimated Weight = 9 or 10 lbs.



TYPICAL SECTION

NOTES:
Structural Steel per Spec. 3306
Structural Pipe per Spec. 3362
Galvanize the fence post anchorage after fabrication per Spec. 3394. Galvanize the fasteners per Spec. 3392

STANDARD PIPE WEIGHTS:
2" nom. dia. = 3.65 lbs./ft.
2-1/2" nom. dia. = 5.79 lbs./ft.
3" nom. dia. = 7.58 lbs./ft.

APPROVED: Nov. 26, 1985
Developed by: ENGINEERING STANDARDS
& BRIDGES AND STRUCTURES
OFFICES
Issued by: OFFICE OF ENGINEERING
STANDARDS

STATE OF MINNESOTA
DEPARTMENT OF TRANSPORTATION

FENCE POST ANCHORAGE

REVISION
DETAIL NO.
B905

DRAWN CHECKED APPROVED
SHEET 3480F 308 SHEETS

BRIDGE NO.
02546