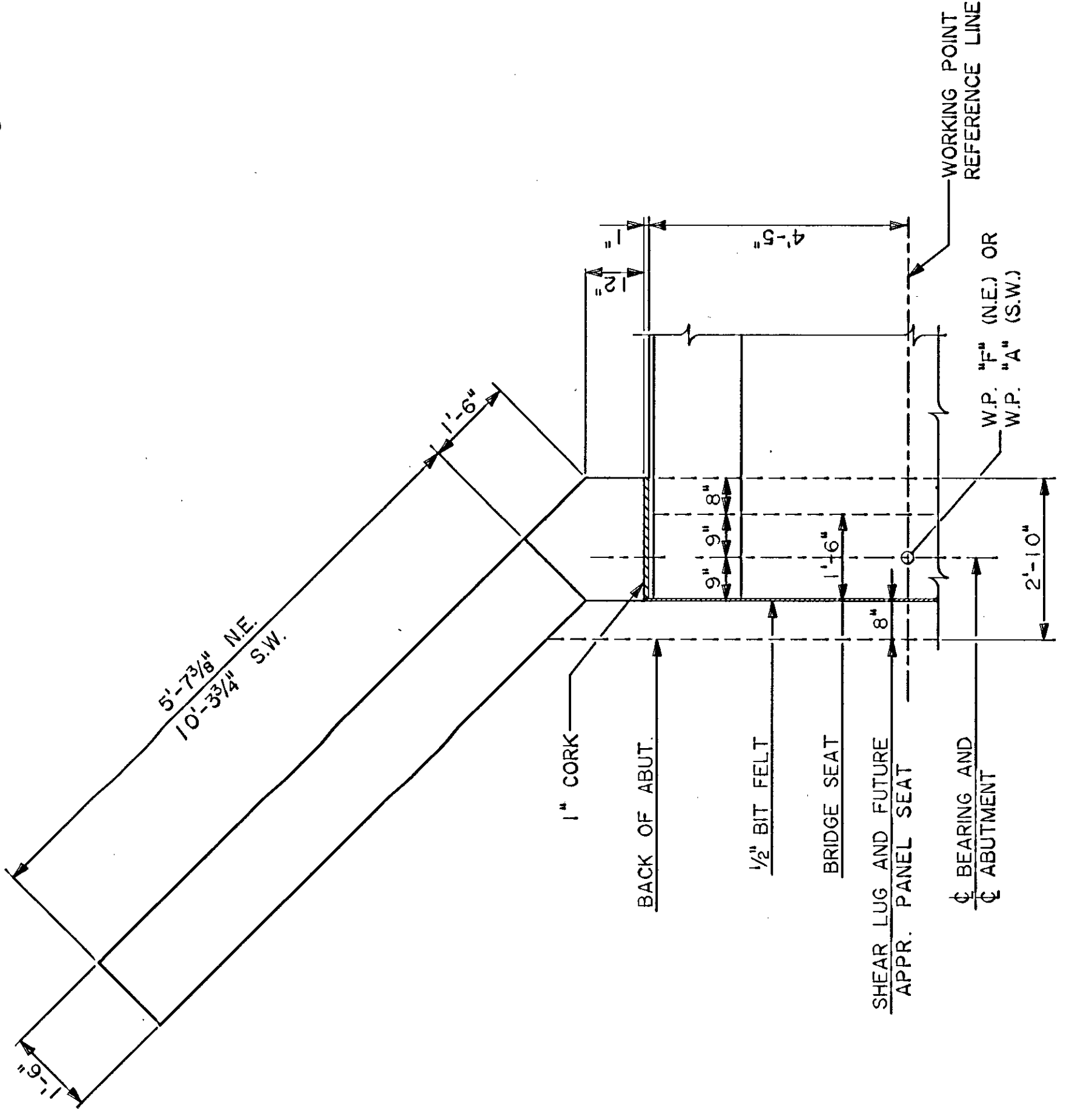


LAYOUT SHOWING WORKING POINTS

NOT TO SCALE

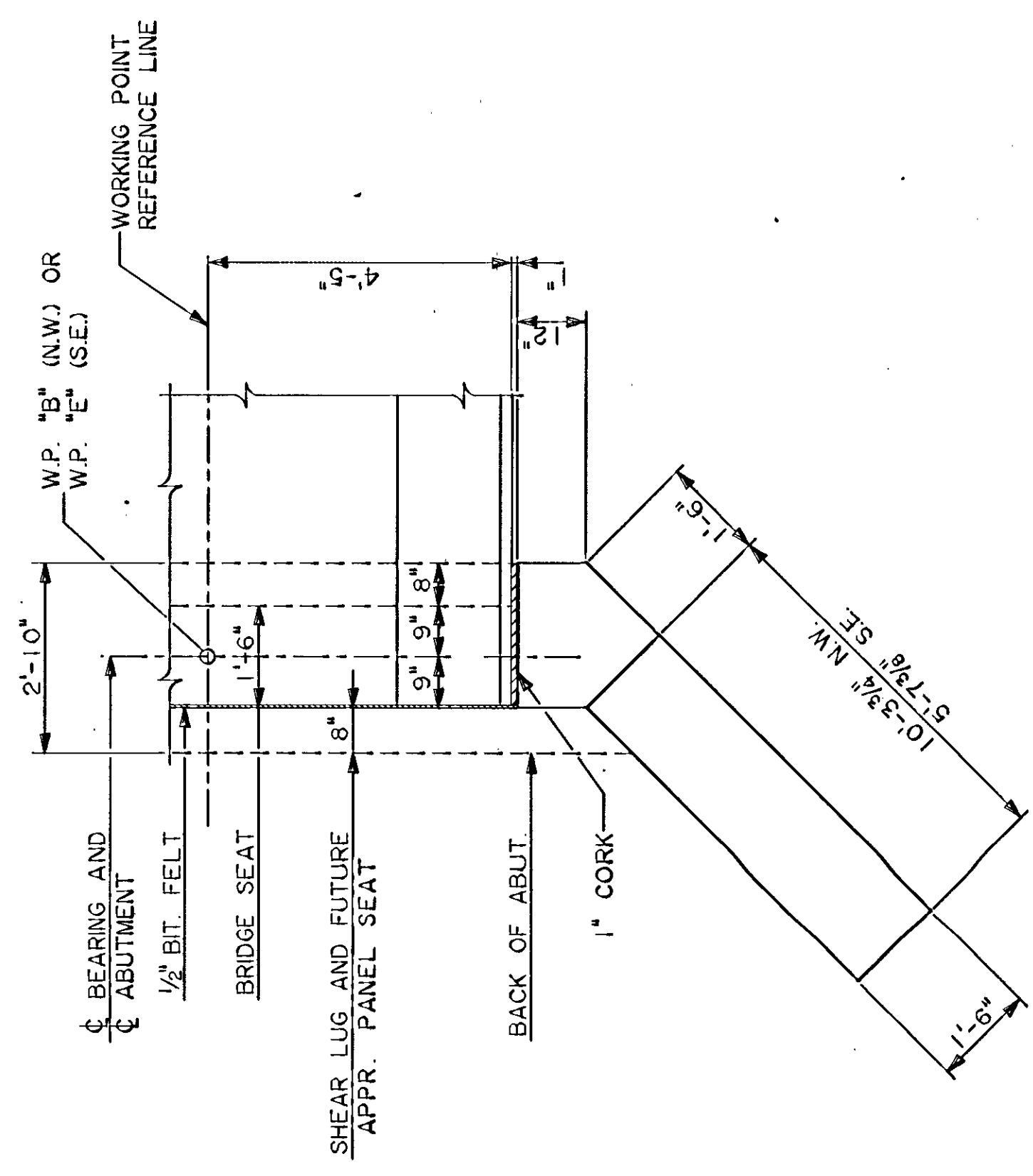
POINT NUMBER	DIM. BETWEEN WORKING POINTS						ELEVATIONS						
	POINT	STATION	X-COORD	Y-COORD	A	B	C	D	E	F	TOP OF SLAB	TOP OF BR. SEAT	BRIDGE SEAT
A	10+11.43	14348.789	21001.903		22.83	25.33	34.10	55.57	883.78	2.00	881.78	A	
B	10+33.57	14334.681	21019.857		25.33	55.57	883.78	2.00	881.78	B			
C	10+11.08	14368.708	21017.555		22.83	25.33	34.10	882.44	2.00	880.44	C		
D	10+33.92	14354.601	21035.509		25.33	882.44	2.00	880.44	D				
E	10+10.72	14388.628	21033.207		22.83	881.10	2.00	879.10	E				
F	10+34.28	14374.521	21051.161		881.10	2.00	879.10	F					

NOTE: COORDINATES ARE BASED ON X-COORD OF 14424.851 AND Y-COORD OF 20955.098 AT STA. 9+27.07 (P.C.)



N.E. OR S.W. CORNER

SCALE 0 1 2 FT



N.W. OR S.E. CORNER

SCALE 0 1 2 FT

REVISED 4-25-89

Designed by **TKDA**  
 TOLTZ, KING, DUVALL, ANDERSON AND ASSOCIATES, INC.  
 SAINT PAUL, MINNESOTA

APPROVED: **JJB**  
 R.O.G. R.O.G.

Sheet No. 3 of 12 Sheets

BRIDGE LAYOUT

Bridge No. 02551