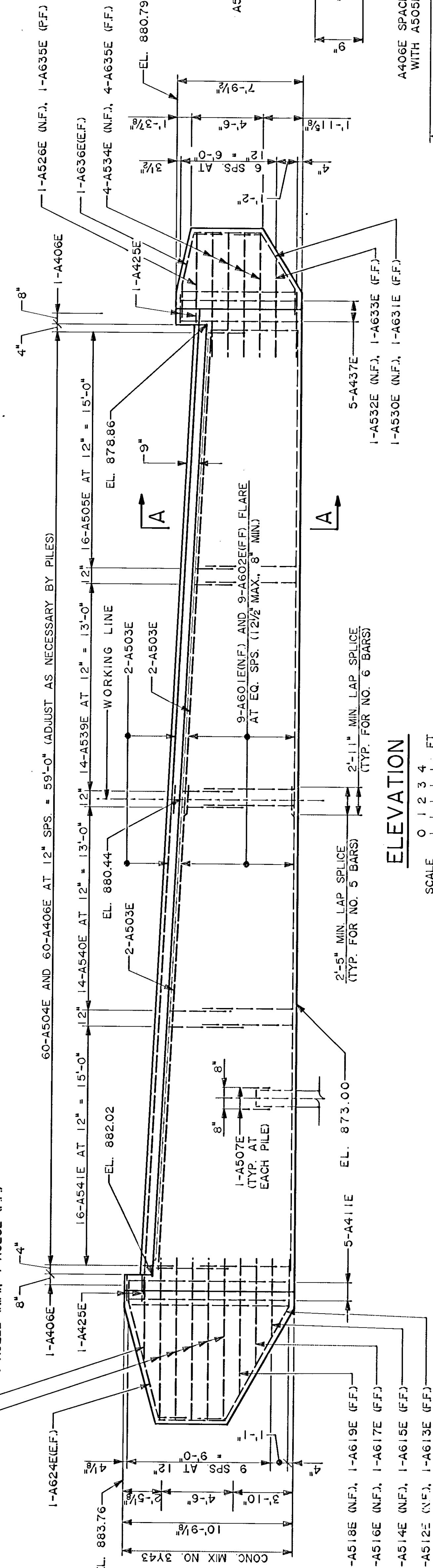


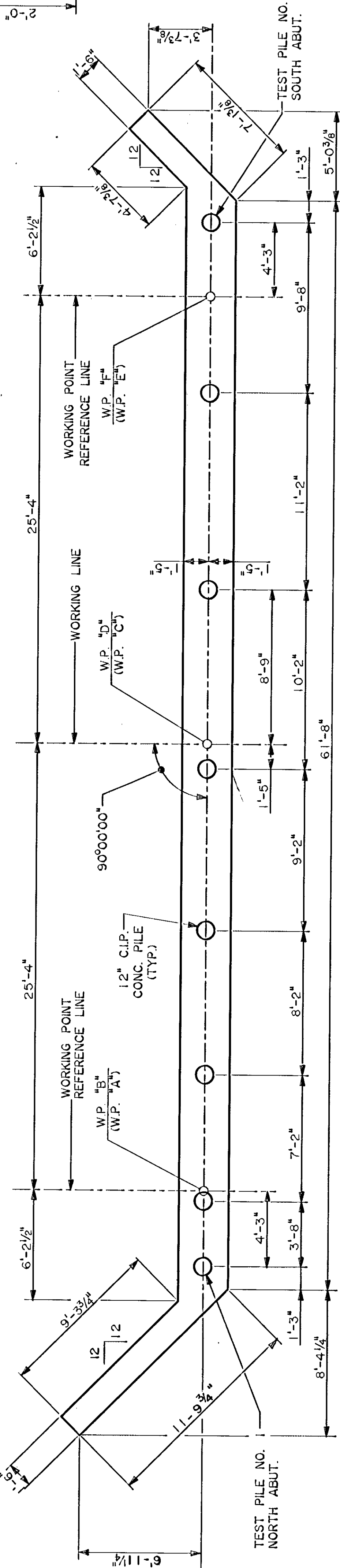
PLAN

SCALE 0 1 2 3 4 FT



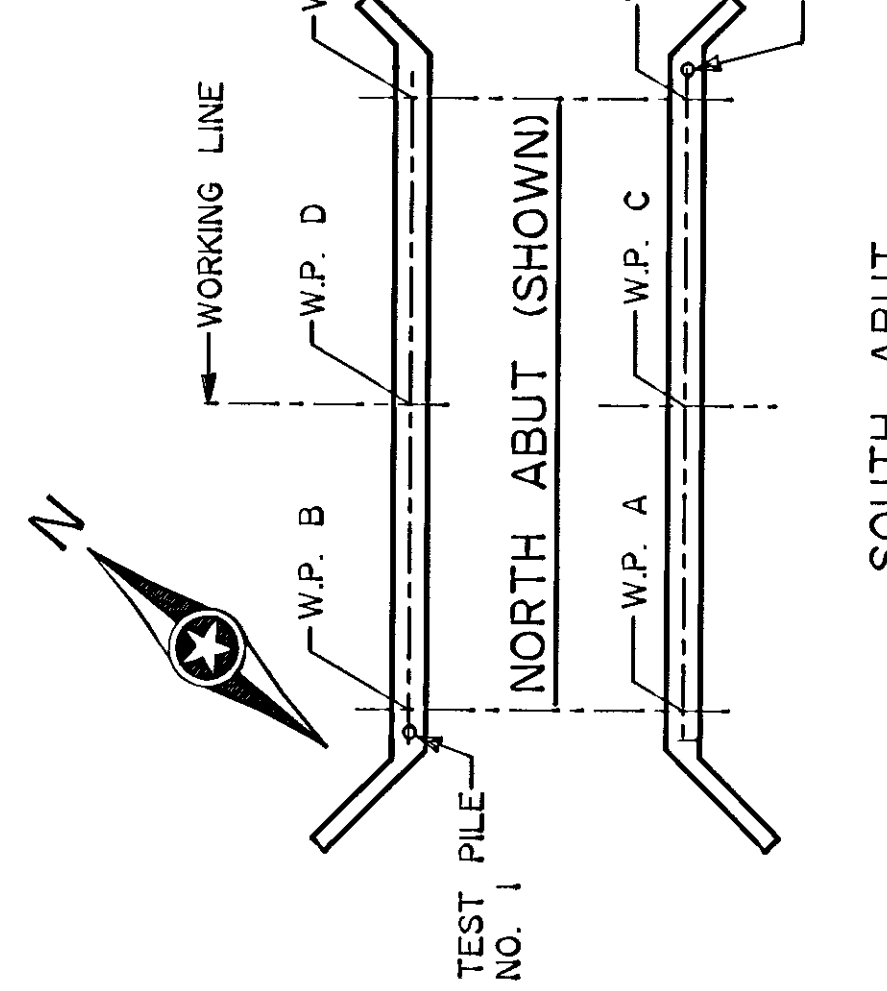
ELEVATION

SCALE 0 1 2 3 4 FT



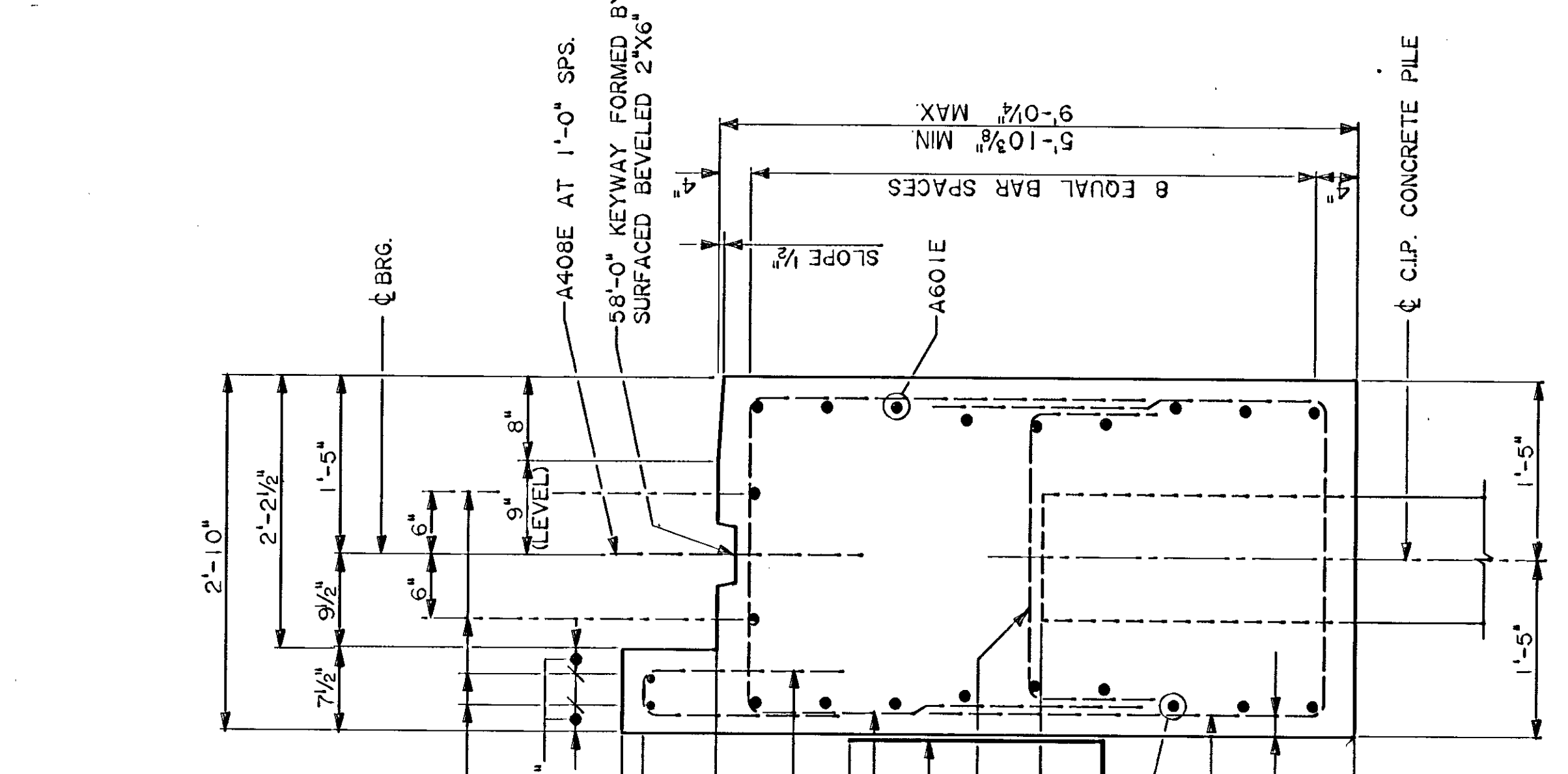
PILE PLAN

SCALE 0 1 2 3 4 FT



PLAN

SCALE 0 1 2 3 4 FT



SECTION A-A

SCALE 0 1 2 3 4 FT

NOTE:
NORTH ABUTMENT SHOWN
SOUTH ABUTMENT
OPPOSITE HAND AS
SHOWN BELOW.

DESIGNED BY: JLB
CHECKED BY: JES.
APPROVED BY: R.O.C.
Sheet No. 4 of 12 Sheets

REVISED 4-25-89
Bridge No. 02551

ABUTMENT DETAILS

DESIGNED BY: TKDA
TOLTZ, KING, DUVALL, ANDERSON AND ASSOCIATES, INC.
SAINT PAUL, MINNESOTA

ABUTDET

761