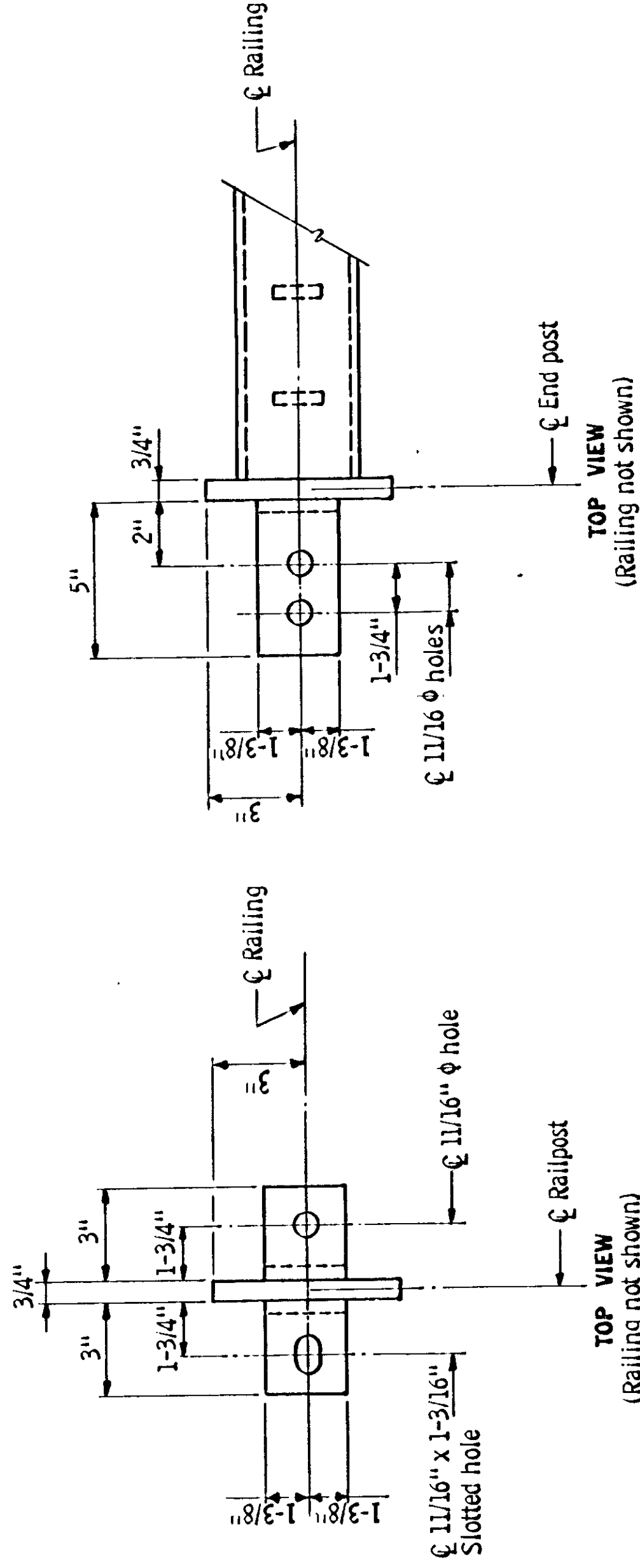
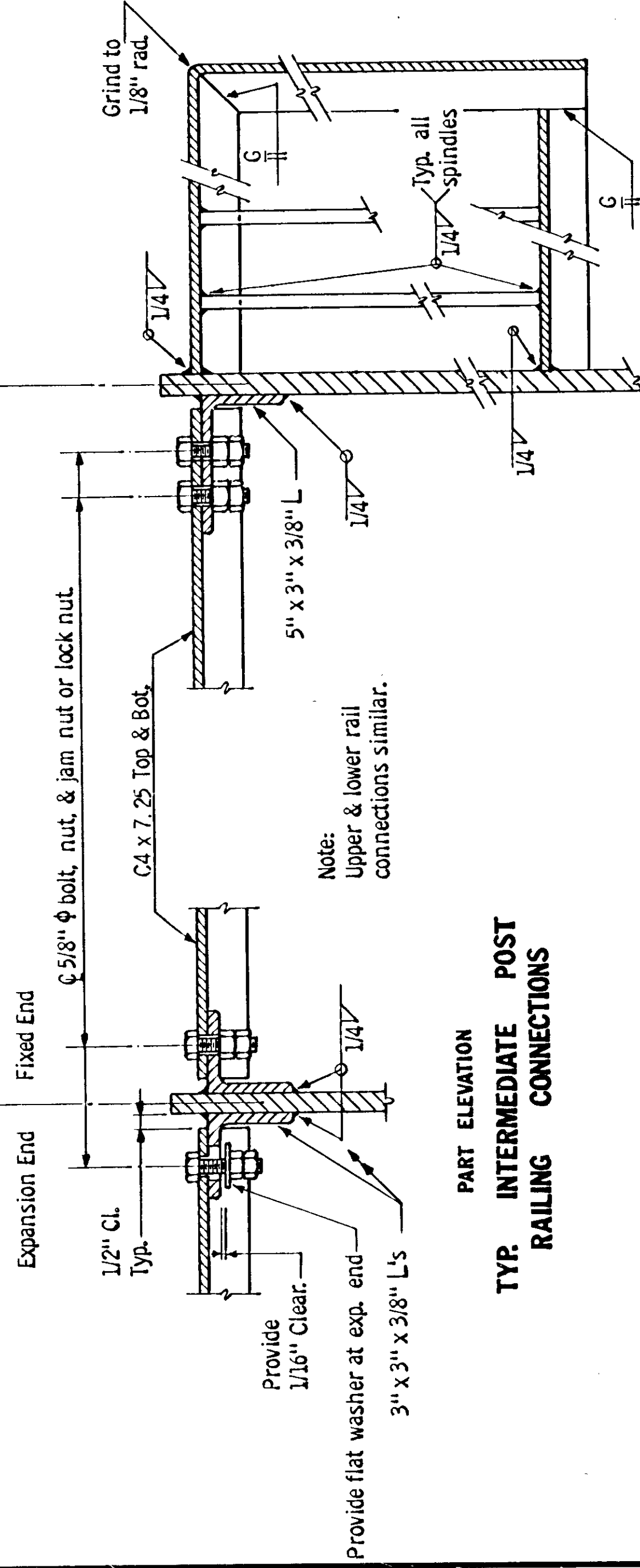


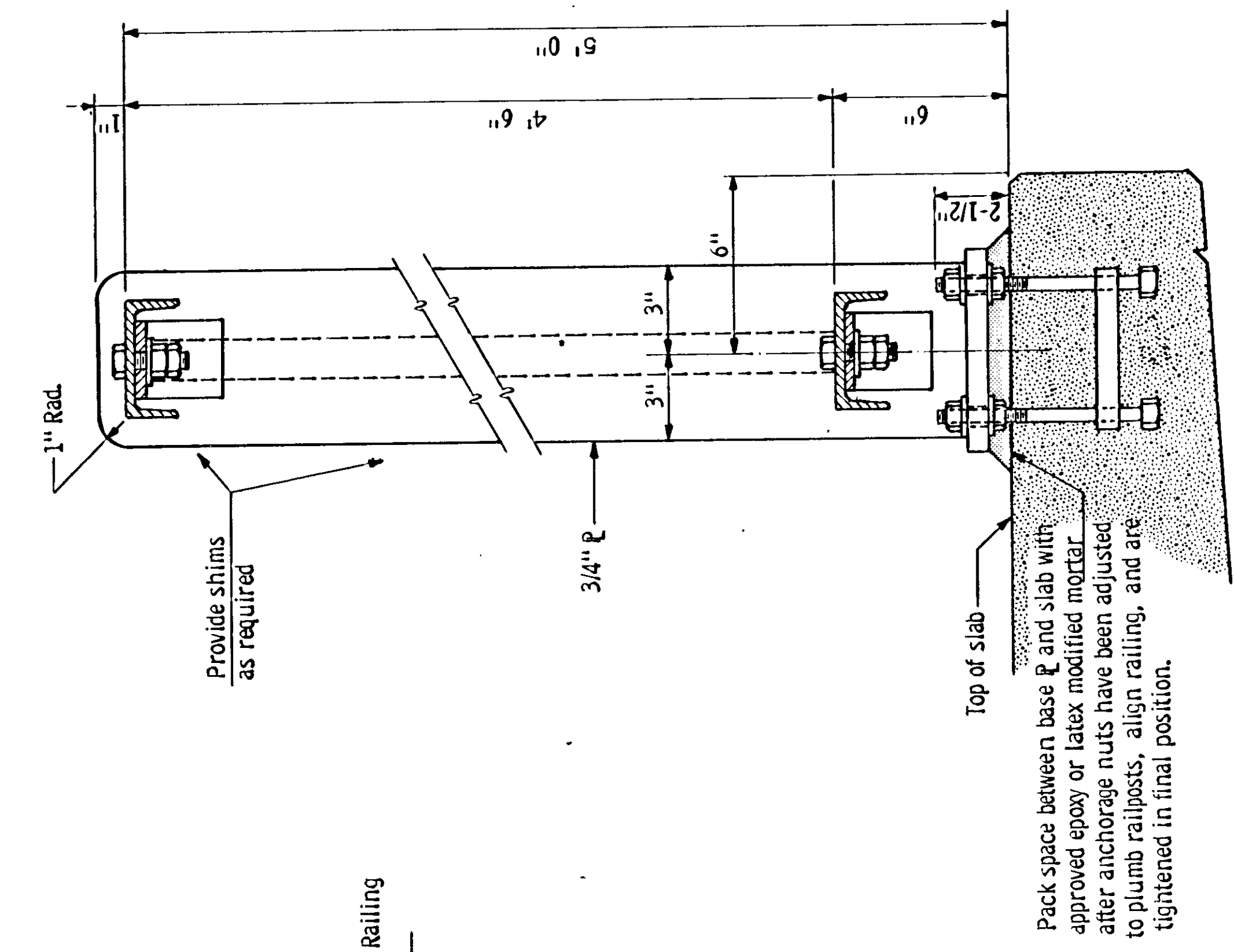
GENERAL RAILING ELEVATION



TOP VIEW (RAILING NOT SHOWN)

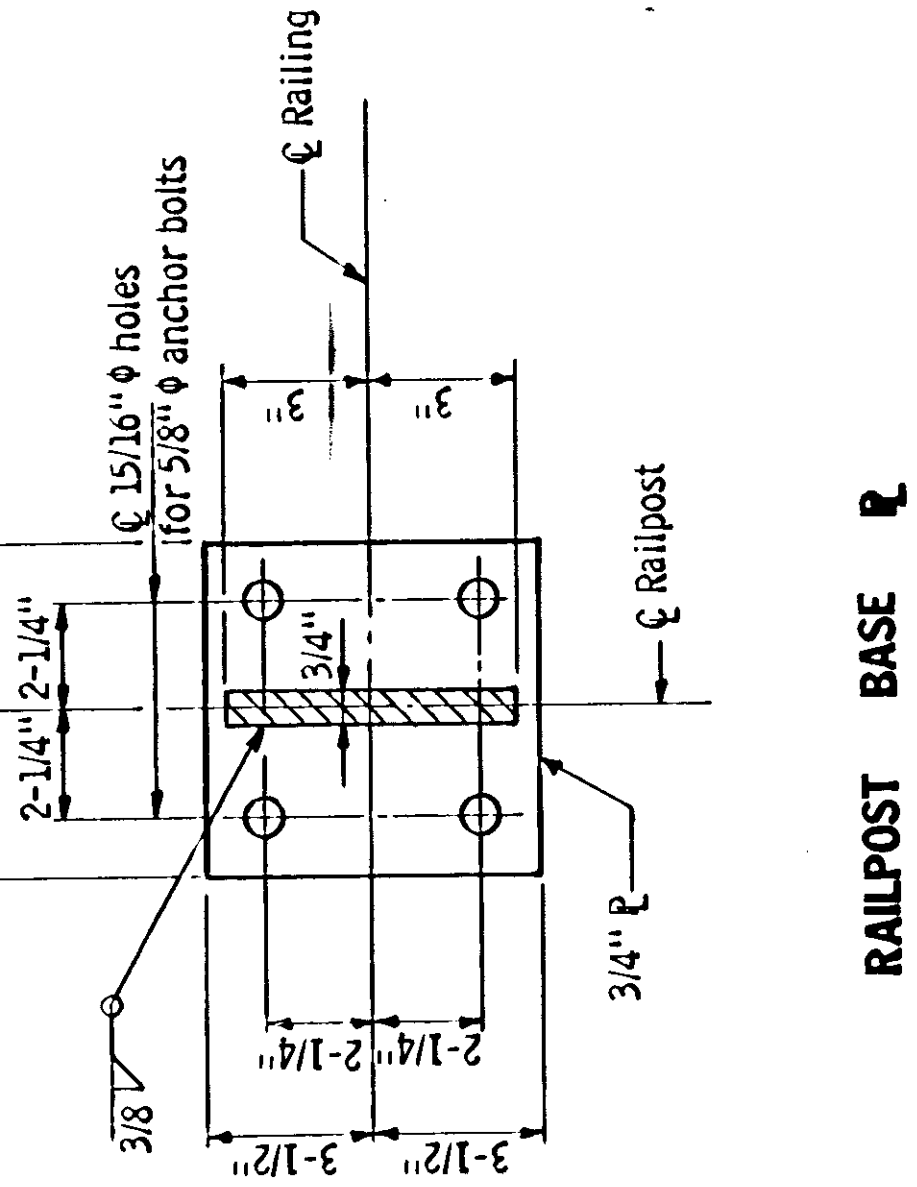


PART ELEVATION INTERMEDIATE POST RAILING CONNECTIONS

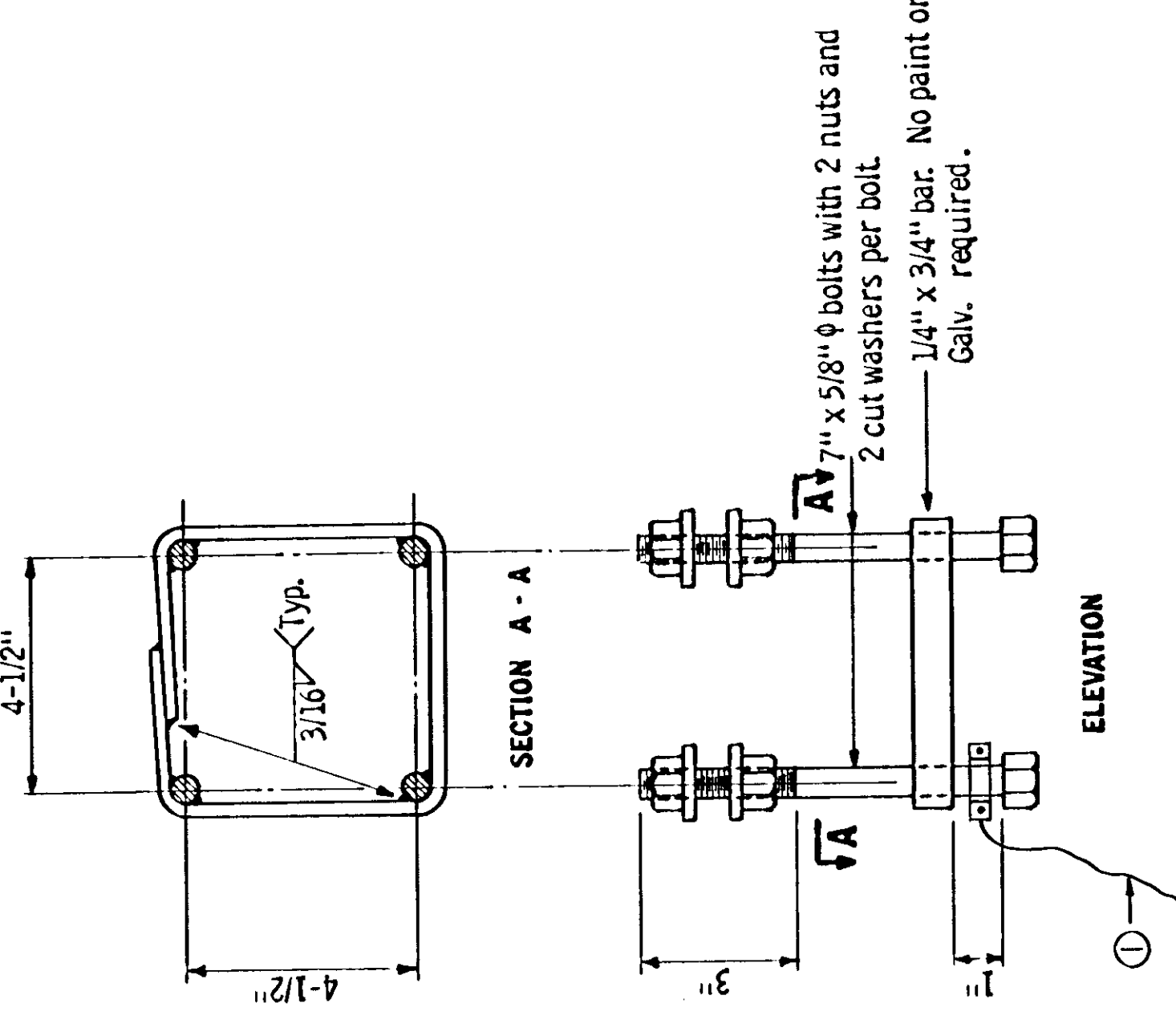


TYPICAL RAILPOST

Pack space between base ϕ and slab with approved epoxy or latex modified mortar after anchorage nuts have been adjusted to plumb railposts, align railing, and are tightened in final position.



RAILPOST BASE ϕ



RAILPOST ANCHORAGE

GENERAL NOTES:

- All railposts normal to grade.
- Anchorage shall be accurately placed to provide correct alignment of railing. Set normal to grade.
- All material shall comply with Spec. 3306
- Galvanize bolts, nuts, and washers per Spec. 3392
- Galvanize all other structural steel per Spec. 3394 after fabrication
- Price bid for ornamental metal railing includes all material shown on this sheet
- Length of "ornamental metal railing" for payment will be measured from end to end of channel with no deduction for open joint

① ATTACH RAIL ANCHORAGES AT LOCATIONS SHOWN ON SHEET 3 TO GROUNDING RODS WITH A SOLID NO. 6 GAGE COPPER WIRE WITH APPROVED TYPE METAL CLAMPS.