

BILL OF REINFORCEMENT FOR RAILING

BAR NO.	LENGTH	SHAPE	LOCATION
R501E	7'-10"	Bent	Rail Base Vertical
R702E	6'-6"	Bent	Integral End Post
R503E		Straight	Rail Base Longitudinal

Concrete Base = 0.086 Cubic Yards Per Foot
 Concrete Base = 550 Pounds Per Foot

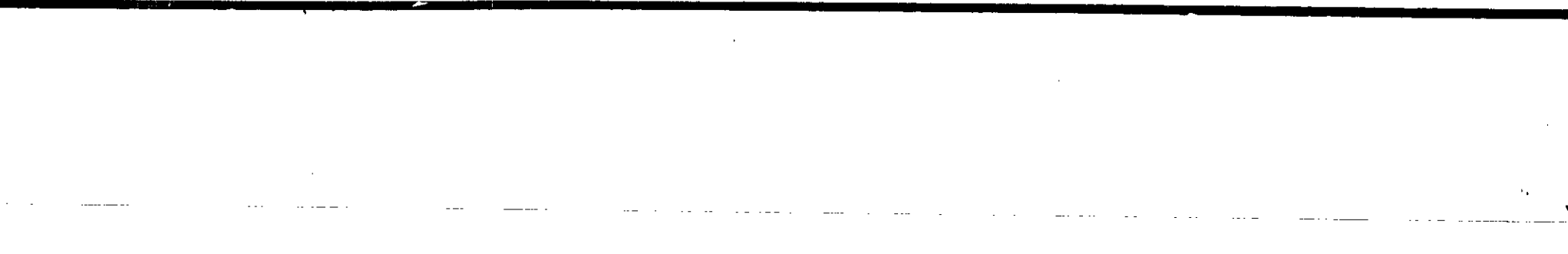
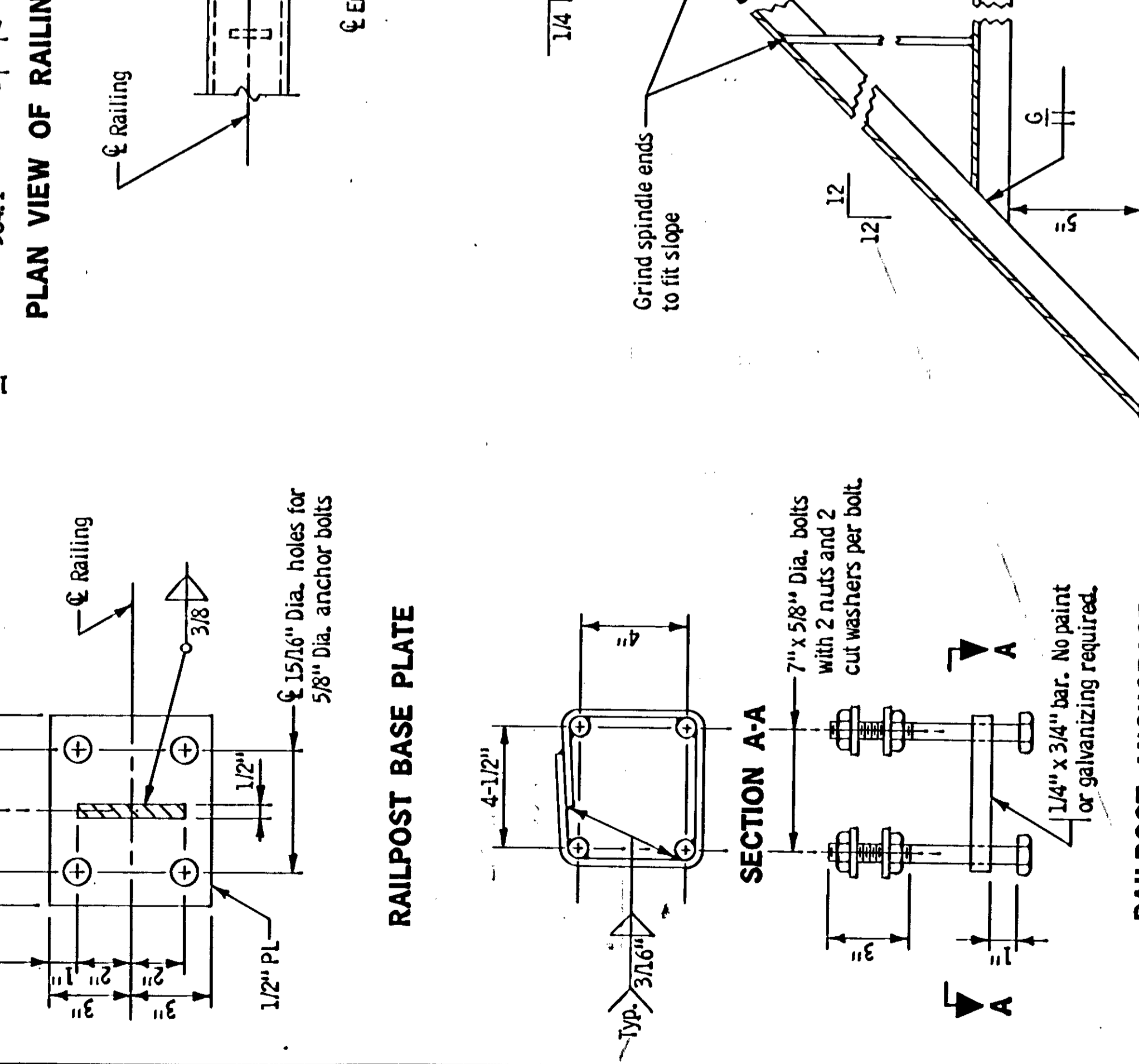
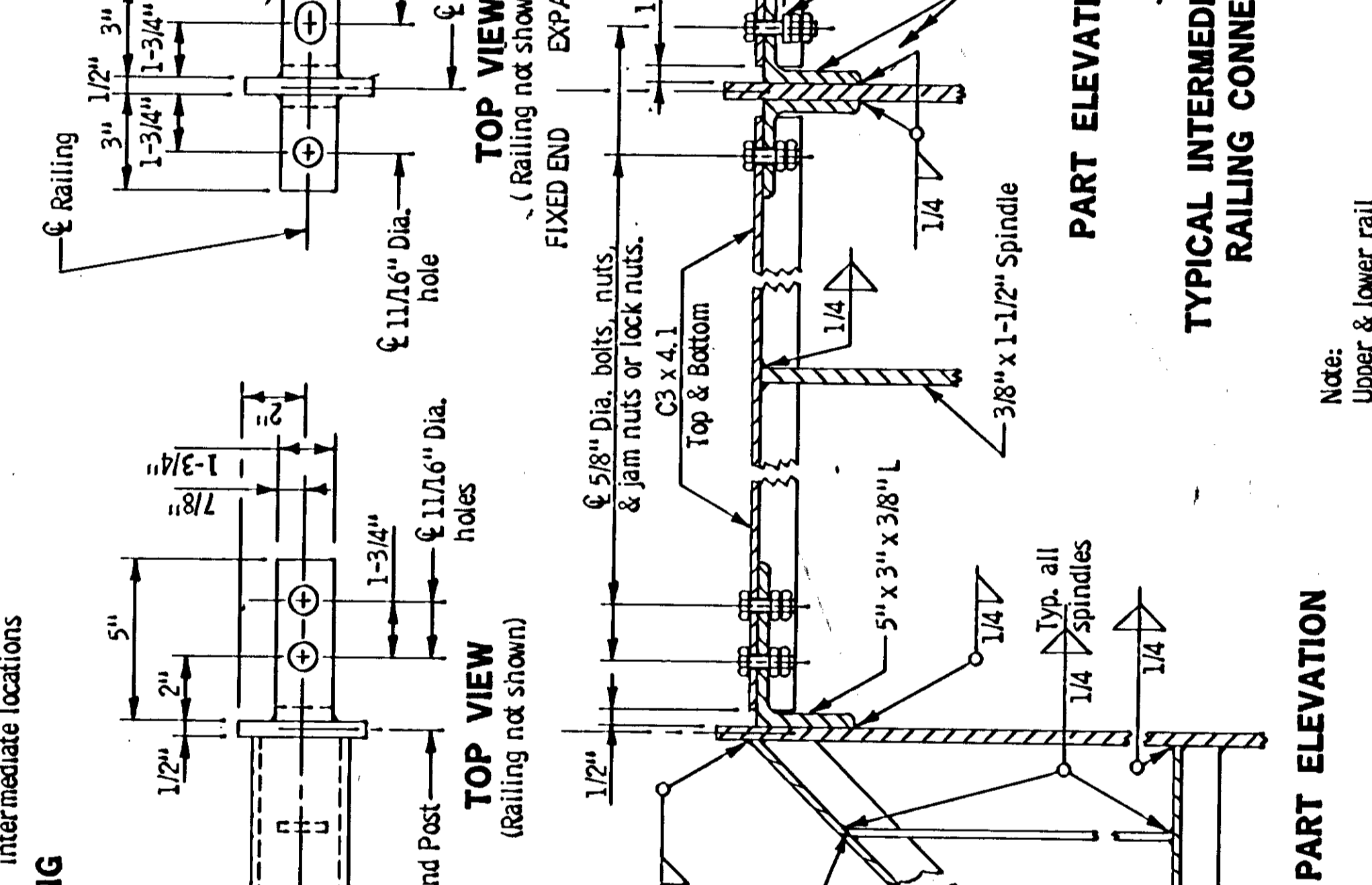
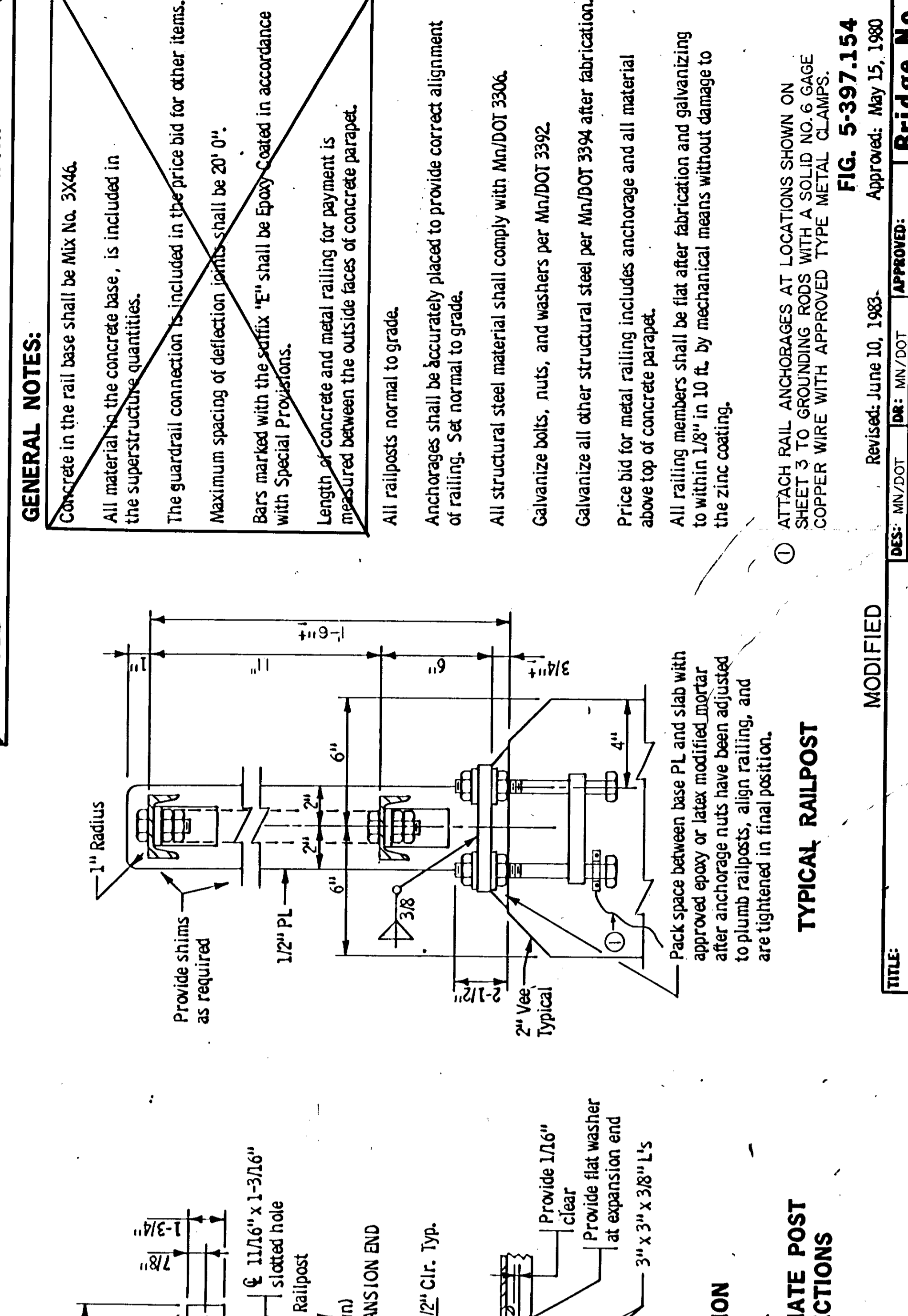
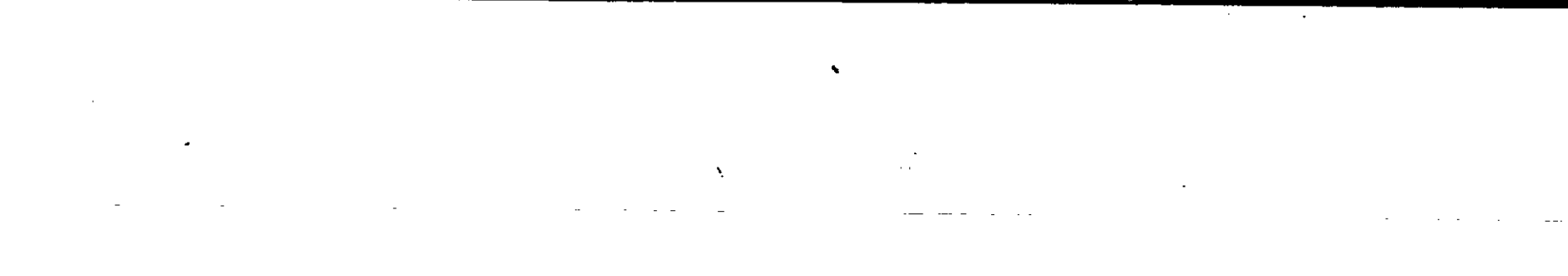
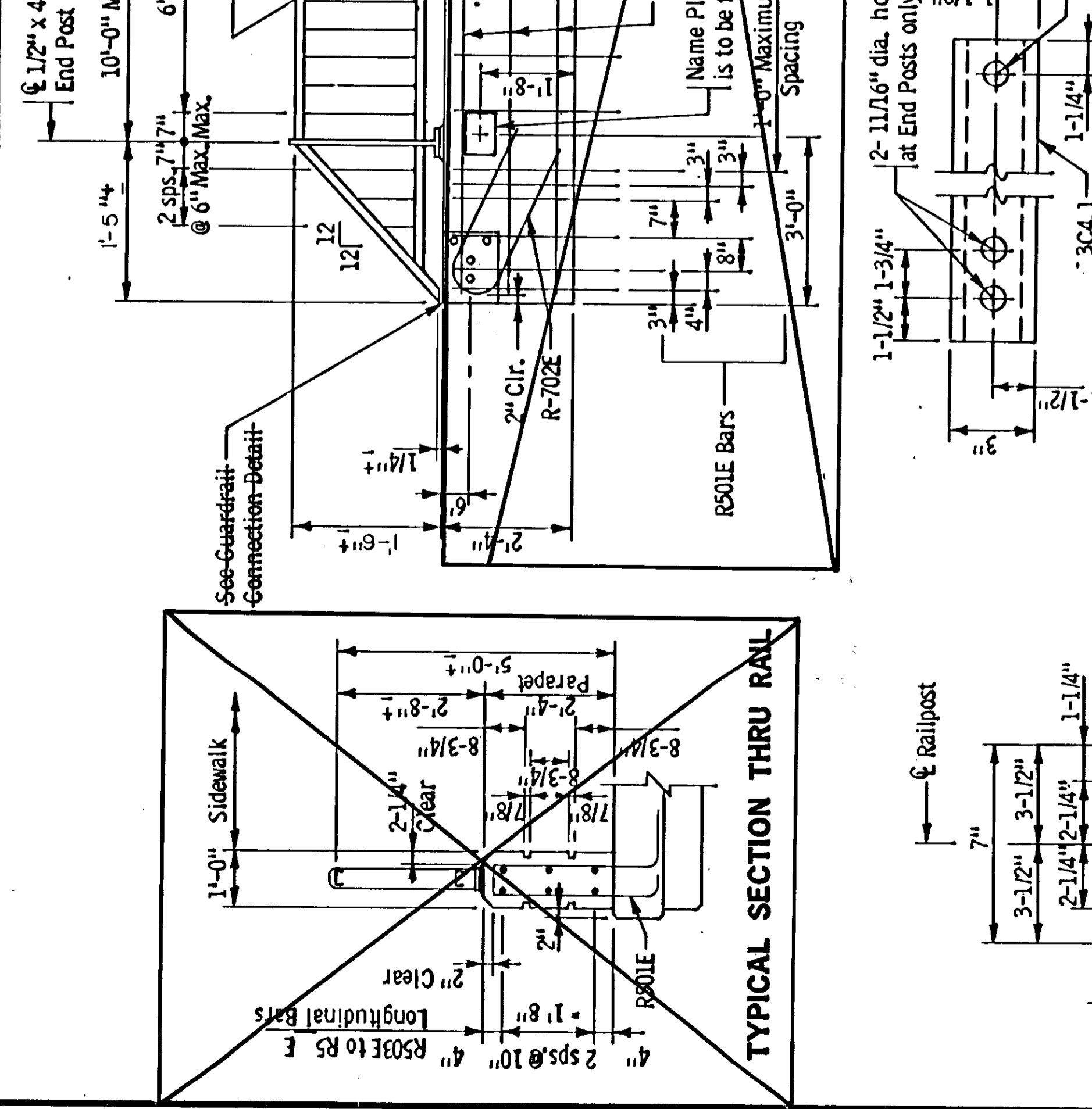


FIG. 5-397.154
 Approved: May 15, 1980

DES: MV/DOT
 CHK: J.J.
 DR: MN/DOT
 CHK: J.J.

Revised: June 10, 1983.
 Approved: May 15, 1980

Sheet No. 9 of 13 Sheets

BIKEWAY RAILING WITH INTEGRAL END POST

METAL RAILING

Sheet No. 02553

RAILPOST ANCHORAGE

END POST DETAILS

TYPICAL INTERMEDIATE POST RAILING CONNECTIONS

PART ELEVATION

PART ELEVATION

RAILPOST ANCHORAGE

END POST DETAILS

Note: Upper & lower rail connections similar.