

DESIGN DATA
 1988 & INTERIM A.A.S.H.T.O. DESIGN SPECIFICATIONS
 SIDEWALK LOADING: 85 p.s.f.
 MAXIMUM ALLOWABLE DESIGN STRESSES:
 REINFORCED CONCRETE:
 $f'_c = 4000$ PSI $n = 8$
 $f_y = 60000$ PSI REINFORCEMENT
 STRUCTURAL STEEL:
 $f_y = 50000$ PSI SPEC. 3309
 19,150 PROJ. A.D.T. FOR YR. 2009 (UNDER)
 DECK AREA = 1734 SQ. FT.

LIST OF SHEETS

NO.	TITLE
1	GENERAL PLAN & ELEVATION
2	ABUTMENT DETAILS
3	PIER DETAILS
4	PIER REINFORCEMENT
5-6	SUPERSTRUCTURE DETAILS
7	CHAIN LINK ENCLOSURE DETAILS
8	CONCRETE SLOPE PAVING DETAILS
9-12	BRIDGE SURVEY
13	BRIDGE SURVEY ~ PLAN & PROFILE
14	APPROACHES ~ PLAN & PROFILE
15	CROSS SECTIONS
16-17	

B.M. ELEV. 873.23
 LOCATION: S.E. CORNER OF SIDEWALK AT
 S.E. CORNER OF ICE ARENA.

SEE SHEET 13 FOR LIMITS & STATIONING
 PLATE 9322 I FOR DETAILS.

I HEREBY CERTIFY THAT THIS PLAN WAS
 PREPARED BY ME OR UNDER MY DIRECT
 SUPERVISION AND THAT I AM A DULY
 REGISTERED PROFESSIONAL ENGINEER
 UNDER THE LAWS OF THE STATE OF
 MINNESOTA.

DATE: 3-23-90
 REG. NO. 6324

PLANS PREPARED BY:
ERICKSON ENGINEERING
 3340 REPUBLIC AVENUE
 ST. LOUIS PARK, MN 55426

CO. RD. 116
 ANOKA COUNTY
 MINNESOTA DEPARTMENT
 OF TRANSPORTATION

BRIDGE NO. 02555

LOCATED ON THE TRAIL OVER CO. RD. 116
 EXTENSION BETWEEN CO. RD. 47 AND
 C.S.A.H. 7 IN ANOKA COUNTY.

2 - 90' CONTINUOUS STEEL BEAM SPANS
 8' PEDESTRIAN WALKWAY
 SPAN IDENTIFICATION NO. 401

GENERAL PLAN & ELEVATION

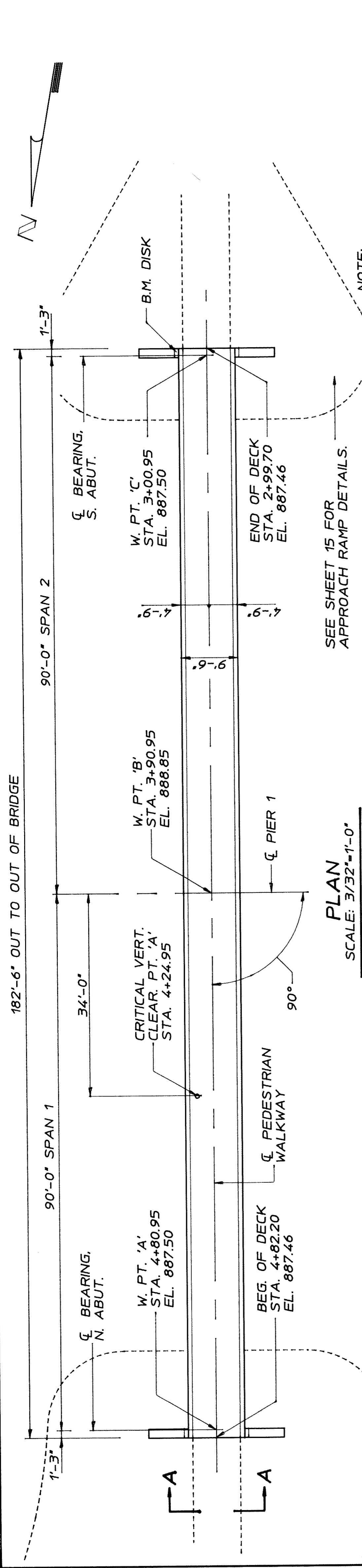
SEC. 30 TWP. 32N R 24W

TOWNSHIP: ANDOVER
 COUNTY: ANOKA

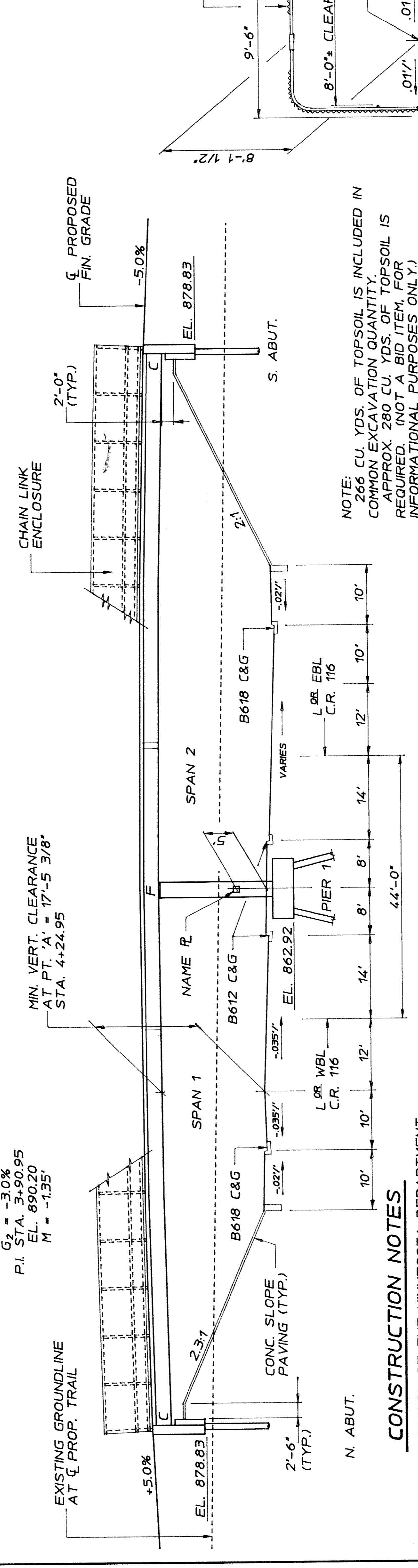
APPROVED: *Tamara K. Linn*
 ANOKA CO. HIGHWAY ENGINEER

PROJ. 85-05-116
 SHEET 1 OF 17 SHEETS

02555
 RMT



NOTE:
 STA. 4+00.00 (TRAIL) =
 STA. 137+42.00 (C.R. 116 SURVEY ζ)



NOTE:
 266 CU. YDS. OF TOPSOIL IS INCLUDED IN
 COMMON EXCAVATION QUANTITY.
 APPROX. 280 CU. YDS. OF TOPSOIL IS
 REQUIRED. (NOT A BID ITEM, FOR
 INFORMATIONAL PURPOSES ONLY.)

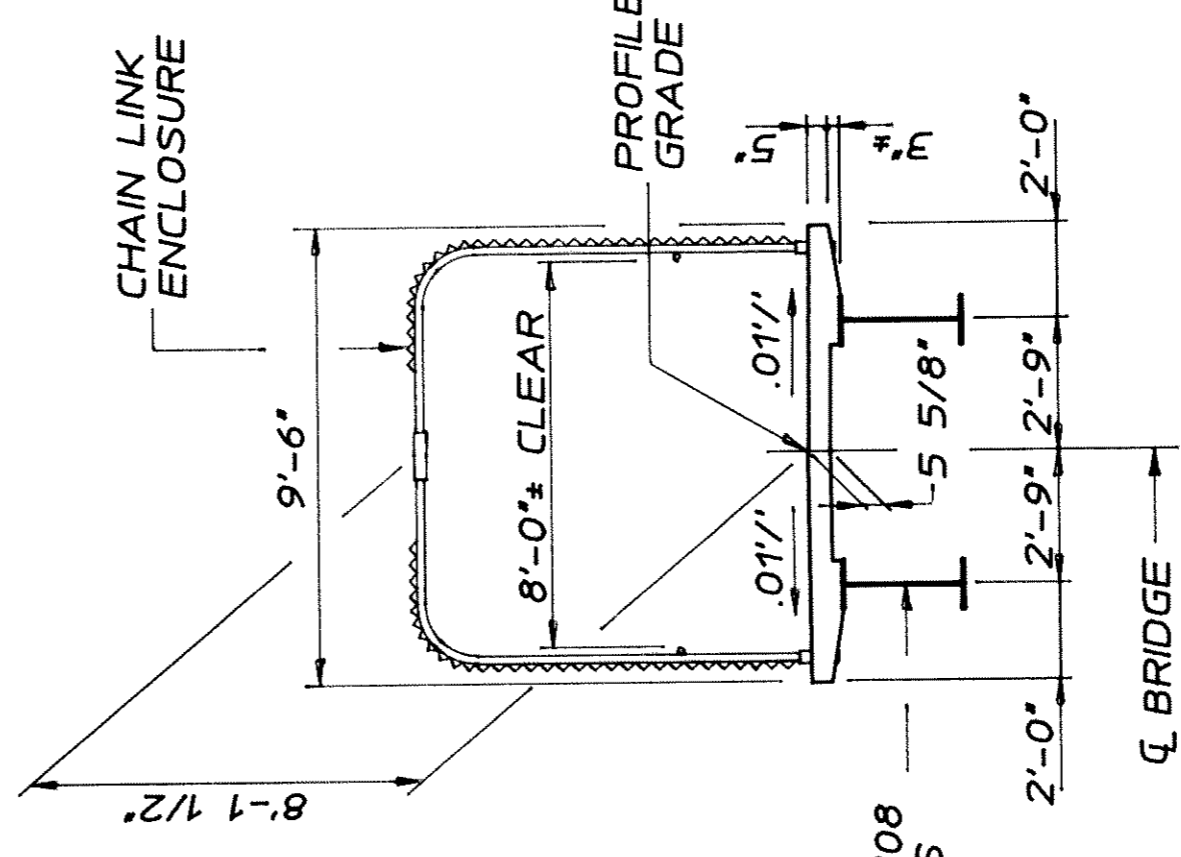
BASIS OF PLANNED QUANTITIES:
 2341 PLANT MIXED WEARING COURSE
 BITUMINOUS MIXTURE 110 LBS./SQ. YD. PER 1" THICKNESS
 BITUMINOUS MATERIAL FOR MIXTURE 5.8% BY WEIGHT

2575 COMMERCIAL FERTILIZER, ANALYSIS 10-10-10
 500 LBS./ACRE ON ALL SEED AND SOD AREAS

2575 ROADSIDE SEEDING BASED ON HORIZ. MEASUREMENT PLUS 10%
 SEED MIXTURE NO. 500, @ 50 LBS./ACRE

CONSTRUCTION NOTES

THE 1988 EDITION OF THE MINNESOTA DEPARTMENT
 OF TRANSPORTATION "STANDARD SPECIFICATIONS
 FOR CONSTRUCTION" SHALL GOVERN.
 THE FIRST DIGIT OR THE FIRST TWO DIGITS OF
 EACH BAR MARK INDICATE THE BAR SIZE. BARS MARKED
 WITH THE SUFFIX "E" SHALL BE EPOXY COATED.
 BRIDGE SEAT REINFORCEMENT SHALL BE CAREFULLY
 PLACED TO AVOID INTERFERENCE WITH DRILLING HOLES
 FOR ANCHOR RODS. THE SUPERSTRUCTURE BEAMS SHALL
 BE PLACED IN THEIR FINAL POSITION PRIOR TO
 DRILLING HOLES FOR ANCHOR RODS.
 CONSTRUCTION OF EACH ABUTMENT SHALL NOT BE
 STARTED UNTIL THE APPROACH FILL AT THAT ABUTMENT
 HAS BEEN CONSTRUCTED TO THE FULL HEIGHT AND
 CROSS SECTION.



SCHEDULE OF QUANTITIES ~ PEDESTRIAN BRIDGE & RAMPS

ITEM NO.	DESCRIPTION	UNIT	QUANTITY	UNIT	ITEM NO.	DESCRIPTION	UNIT	QUANTITY	UNIT
2401501	STRUCTURE CONCRETE (3Y43)	CU. YD.	35	(P)	2401501	STRUCTURE CONCRETE (1443)	CU. YD.	9	(P)
2401502	REINFORCEMENT BARS (3309)	POUND	45690	(P)	2401503	TREATED TIMBER DELIVERED	LN. FT.	495	
2401503	BRIDGE SLAB CONCRETE (3Y46)	SQ. FT.	1734	(P)	2401504	TREATED TIMBER DRIVEN	LN. FT.	495	
2401504	REINFORCEMENT BARS (3309)	POUND	7375	(P)	2401505	TREATED TIMBER PILING	LN. FT.	3	EACH
2401505	REINFORCEMENT BARS (3309)	POUND	1890	(P)	2401506	TREATED TIMBER PILING	LN. FT.	3	EACH
2401506	BRIDGE SLAB CONCRETE (3Y46)	SQ. FT.	1734	(P)	2401507	TREATED TIMBER PILING	LN. FT.	3	EACH
2401507	STRUCTURE CONCRETE (1443)	CU. YD.	9	(P)	2401508	TREATED TIMBER PILING	LN. FT.	3	EACH
2401508	STRUCTURE CONCRETE (1443)	CU. YD.	9	(P)	2401509	TREATED TIMBER PILING	LN. FT.	3	EACH
2401509	STRUCTURE CONCRETE (1443)	CU. YD.	9	(P)	2401510	TREATED TIMBER PILING	LN. FT.	3	EACH
2401510	STRUCTURE CONCRETE (1443)	CU. YD.	9	(P)	2401511	TREATED TIMBER PILING	LN. FT.	3	EACH
2401511	STRUCTURE CONCRETE (1443)	CU. YD.	9	(P)	2401512	TREATED TIMBER PILING	LN. FT.	3	EACH
2401512	STRUCTURE CONCRETE (1443)	CU. YD.	9	(P)	2401513	TREATED TIMBER PILING	LN. FT.	3	EACH
2401513	STRUCTURE CONCRETE (1443)	CU. YD.	9	(P)	2401514	TREATED TIMBER PILING	LN. FT.	3	EACH
2401514	STRUCTURE CONCRETE (1443)	CU. YD.	9	(P)	2401515	TREATED TIMBER PILING	LN. FT.	3	EACH
2401515	STRUCTURE CONCRETE (1443)	CU. YD.	9	(P)	2401516	TREATED TIMBER PILING	LN. FT.	3	EACH
2401516	STRUCTURE CONCRETE (1443)	CU. YD.	9	(P)	2401517	TREATED TIMBER PILING	LN. FT.	3	EACH
2401517	STRUCTURE CONCRETE (1443)	CU. YD.	9	(P)	2401518	TREATED TIMBER PILING	LN. FT.	3	EACH
2401518	STRUCTURE CONCRETE (1443)	CU. YD.	9	(P)	2401519	TREATED TIMBER PILING	LN. FT.	3	EACH
2401519	STRUCTURE CONCRETE (1443)	CU. YD.	9	(P)	2401520	TREATED TIMBER PILING	LN. FT.	3	EACH
2401520	STRUCTURE CONCRETE (1443)	CU. YD.	9	(P)	2401521	TREATED TIMBER PILING	LN. FT.	3	EACH
2401521	STRUCTURE CONCRETE (1443)	CU. YD.	9	(P)	2401522	TREATED TIMBER PILING	LN. FT.	3	EACH
2401522	STRUCTURE CONCRETE (1443)	CU. YD.	9	(P)	2401523	TREATED TIMBER PILING	LN. FT.	3	EACH
2401523	STRUCTURE CONCRETE (1443)	CU. YD.	9	(P)	2401524	TREATED TIMBER PILING	LN. FT.	3	EACH
2401524	STRUCTURE CONCRETE (1443)	CU. YD.	9	(P)	2401525	TREATED TIMBER PILING	LN. FT.	3	EACH
2401525	STRUCTURE CONCRETE (1443)	CU. YD.	9	(P)	2401526	TREATED TIMBER PILING	LN. FT.	3	EACH
2401526	STRUCTURE CONCRETE (1443)	CU. YD.	9	(P)	2401527	TREATED TIMBER PILING	LN. FT.	3	EACH
2401527	STRUCTURE CONCRETE (1443)	CU. YD.	9	(P)	2401528	TREATED TIMBER PILING	LN. FT.	3	EACH
2401528	STRUCTURE CONCRETE (1443)	CU. YD.	9	(P)	2401529	TREATED TIMBER PILING	LN. FT.	3	EACH
2401529	STRUCTURE CONCRETE (1443)	CU. YD.	9	(P)	2401530	TREATED TIMBER PILING	LN. FT.	3	EACH
2401530	STRUCTURE CONCRETE (1443)	CU. YD.	9	(P)	2401531	TREATED TIMBER PILING	LN. FT.	3	EACH
2401531	STRUCTURE CONCRETE (1443)	CU. YD.	9	(P)	2401532	TREATED TIMBER PILING	LN. FT.	3	EACH
2401532	STRUCTURE CONCRETE (1443)	CU. YD.	9	(P)	2401533	TREATED TIMBER PILING	LN. FT.	3	EACH
2401533	STRUCTURE CONCRETE (1443)	CU. YD.	9	(P)	2401534	TREATED TIMBER PILING	LN. FT.	3	EACH
2401534	STRUCTURE CONCRETE (1443)	CU. YD.	9	(P)	2401535	TREATED TIMBER PILING	LN. FT.	3	EACH
2401535	STRUCTURE CONCRETE (1443)	CU. YD.	9	(P)	2401536	TREATED TIMBER PILING	LN. FT.	3	EACH
2401536	STRUCTURE CONCRETE (1443)	CU. YD.	9	(P)	2401537	TREATED TIMBER PILING	LN. FT.	3	EACH
2401537	STRUCTURE CONCRETE (1443)	CU. YD.	9	(P)	2401538	TREATED TIMBER PILING	LN. FT.	3	EACH
2401538	STRUCTURE CONCRETE (1443)	CU. YD.	9	(P)	2401539	TREATED TIMBER PILING	LN. FT.	3	EACH
2401539	STRUCTURE CONCRETE (1443)	CU. YD.	9	(P)	2401540	TREATED TIMBER PILING	LN. FT.	3	EACH
2401540	STRUCTURE CONCRETE (1443)	CU. YD.	9	(P)	2401541	TREATED TIMBER PILING	LN. FT.	3	EACH
2401541	STRUCTURE CONCRETE (1443)	CU. YD.	9	(P)	2401542	TREATED TIMBER PILING	LN. FT.	3	EACH
2401542	STRUCTURE CONCRETE (1443)	CU. YD.	9	(P)	2401543	TREATED TIMBER PILING	LN. FT.	3	EACH
2401543	STRUCTURE CONCRETE (1443)	CU. YD.	9	(P)	2401544	TREATED TIMBER PILING	LN. FT.	3	EACH
2401544	STRUCTURE CONCRETE (1443)	CU. YD.	9	(P)	2401545	TREATED TIMBER PILING	LN. FT.	3	EACH
2401545	STRUCTURE CONCRETE (1443)	CU. YD.	9	(P)	2401546	TREATED TIMBER PILING	LN. FT.	3	EACH
2401546	STRUCTURE CONCRETE (1443)	CU. YD.	9	(P)	2401547	TREATED TIMBER PILING	LN. FT.	3	EACH
2401547	STRUCTURE CONCRETE (1443)	CU. YD.	9	(P)	2401548	TREATED TIMBER PILING	LN. FT.	3	EACH
2401548	STRUCTURE CONCRETE (1443)	CU. YD.	9	(P)	2401549	TREATED TIMBER PILING	LN. FT.	3	EACH
2401549	STRUCTURE CONCRETE (1443)	CU. YD.	9	(P)	2401550	TREATED TIMBER PILING	LN. FT.	3	EACH
2401550	STRUCTURE CONCRETE (1443)	CU. YD.	9	(P)	2401551	TREATED TIMBER PILING	LN. FT.	3	EACH
2401551	STRUCTURE CONCRETE (1443)	CU. YD.	9	(P)	2401552	TREATED TIMBER PILING	LN. FT.	3	EACH
2401552	STRUCTURE CONCRETE (1443)	CU. YD.	9	(P)	2401553	TREATED TIMBER PILING	LN. FT.	3	EACH
2401553	STRUCTURE CONCRETE (1443)	CU. YD.	9	(P)	2401554	TREATED TIMBER PILING	LN. FT.	3	EACH
2401554	STRUCTURE CONCRETE (1443)	CU. YD.	9	(P)	2401555	TREATED TIMBER PILING	LN. FT.	3	EACH
2401555	STRUCTURE CONCRETE (1443)	CU. YD.	9	(P)	2401556	TREATED TIMBER PILING	LN. FT.	3	EACH
2401556	STRUCTURE CONCRETE (1443)	CU. YD.	9	(P)	2401557	TREATED TIMBER PILING	LN. FT.	3	EACH
2401557	STRUCTURE CONCRETE (1443)	CU. YD.	9	(P)	2401558	TREATED TIMBER PILING	LN. FT.	3	EACH
2401558	STRUCTURE CONCRETE (1443)	CU. YD.	9	(P)	2401559	TREATED TIMBER PILING	LN. FT.	3	EACH
2401559	STRUCTURE CONCRETE (1443)	CU. YD.	9	(P)	2401560	TREATED TIMBER PILING	LN. FT.	3	EACH
2401560	STRUCTURE CONCRETE (1443)	CU. YD.	9	(P)	2401561	TREATED TIMBER PILING	LN. FT.	3	EACH
2401561	STRUCTURE CONCRETE (1443)	CU. YD.	9	(P)	2401562	TREATED TIMBER PILING	LN. FT.	3	EACH
2401562	STRUCTURE CONCRETE (1443)	CU. YD.	9	(P)	2401563	TREATED TIMBER PILING	LN. FT.	3	EACH
2401563	STRUCTURE CONCRETE (1443)	CU. YD.	9	(P)	2401564	TREATED TIMBER PILING	LN. FT.	3	EACH
2401564	STRUCTURE CONCRETE (1443)	CU. YD.	9	(P)	2401565	TREATED TIMBER PILING	LN. FT.	3	EACH
2401565	STRUCTURE CONCRETE (1443)	CU. YD.	9	(P)	2401566	TREATED TIMBER PILING	LN. FT.	3	EACH
2401566	STRUCTURE CONCRETE (1443)	CU. YD.	9	(P)	2401567	TREATED TIMBER PILING	LN. FT.	3	EACH
2401567	STRUCTURE CONCRETE (1443)	CU. YD.	9	(P)	2401568	TREATED TIMBER PILING	LN. FT.	3	EACH
2401568	STRUCTURE CONCRETE (1443)	CU. YD.	9	(P)	2401569	TREATED TIMBER PILING	LN. FT.	3	EACH
2401569	STRUCTURE CONCRETE (1443)	CU. YD.	9	(P)	2401570	TREATED TIMBER PILING	LN. FT.	3	EACH
2401570	STRUCTURE CONCRETE (1443)	CU. YD.	9	(P)	2401571	TREATED TIMBER PILING	LN. FT.	3	EACH
2401571	STRUCTURE CONCRETE (1443)	CU. YD.	9	(P)	2401572	TREATED TIMBER PILING	LN. FT.	3	EACH
2401572	STRUCTURE CONCRETE (1443)	CU. YD.	9	(P)	2401573	TREATED TIMBER PILING	LN. FT.	3	EACH
2401573	STRUCTURE CONCRETE (1443)	CU. YD.	9	(P)	2401574	TREATED TIMBER PILING	LN. FT.	3	EACH
2401574	STRUCTURE CONCRETE (1443)	CU. YD.	9	(P)	2401575	TREATED TIMBER PILING	LN. FT.	3	EACH
2401575	STRUCTURE CONCRETE (1443)	CU. YD.	9	(P)	2401576	TREATED TIMBER PILING	LN. FT.	3	EACH
2401576	STRUCTURE CONCRETE (1443)	CU. YD.	9	(P)	2401577	TREATED TIMBER PILING	LN. FT.	3	EACH
2401577	STRUCTURE CONCRETE (1443)	CU. YD.	9	(P)	2401578	TREATED TIMBER PILING	LN. FT.	3	EACH
2401578	STRUCTURE CONCRETE (1443)	CU. YD.	9	(P)	2401579	TREATED TIMBER PILING	LN. FT.	3	EACH
2401579	STRUCTURE CONCRETE (1443)	CU. YD.	9	(P)	2401580	TREATED TIMBER PILING	LN. FT.	3	EACH
2401580	STRUCTURE CONCRETE (1443)	CU. YD.	9	(P)	2401581	TREATED TIMBER PILING	LN. FT.	3	EACH
2401581	STRUCTURE CONCRETE (1443)	CU. YD.	9	(P)	2401582	TREATED TIMBER PILING	LN. FT.	3	EACH
2401582	STRUCTURE CONCRETE (1443)	CU. YD.	9	(P)	2401583	TREATED TIMBER PILING	LN. FT.	3	EACH
2401583	STRUCTURE CONCRETE (1443)	CU. YD.	9	(P)	2401584	TREATED TIMBER PILING	LN. FT.	3	EACH
2401584	STRUCTURE CONCRETE (1443)	CU. YD.	9	(P)	2401585	TREATED TIMBER PILING	LN. FT.	3	EACH
2401585	STRUCTURE CONCRETE (1443)	CU. YD.	9	(P)	2401586	TREATED TIMBER PILING	LN. FT.	3	EACH
2401586	STRUCTURE CONCRETE (1443)	CU. YD.	9	(P)	2401587	TREATED TIMBER PILING	LN. FT.	3	EACH
2401587	STRUCTURE CONCRETE (1443)	CU. YD.	9	(P)	2401588	TREATED TIMBER PILING			