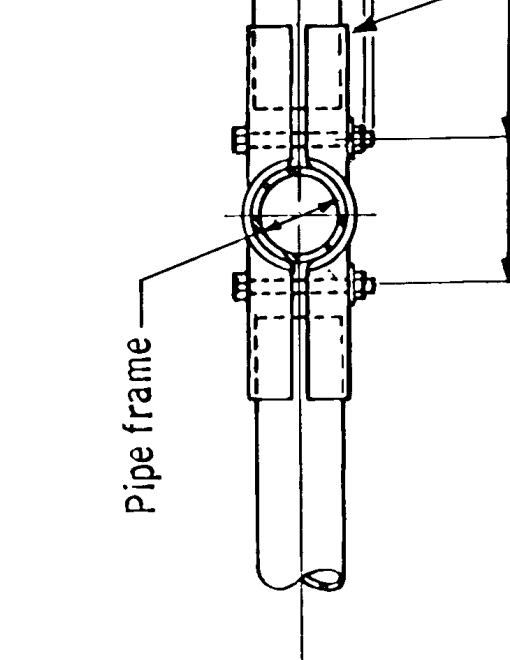


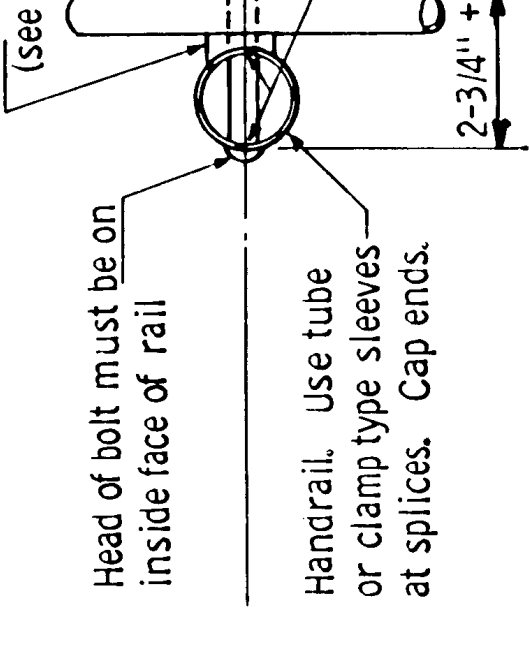
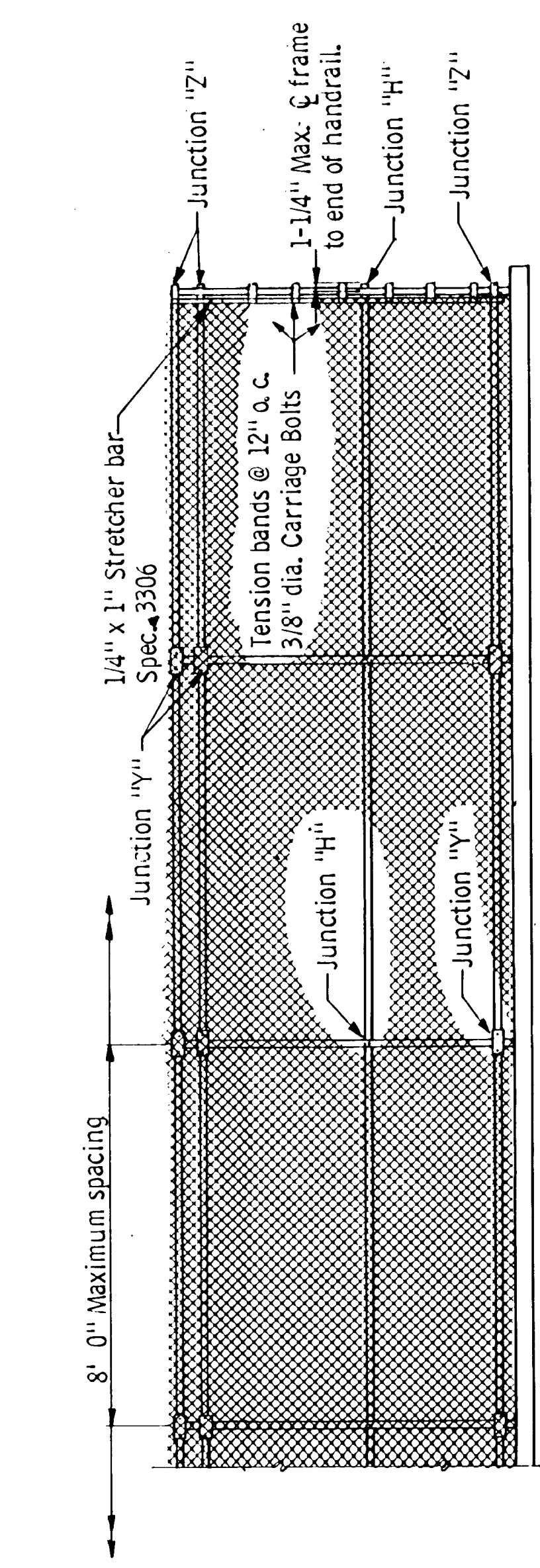
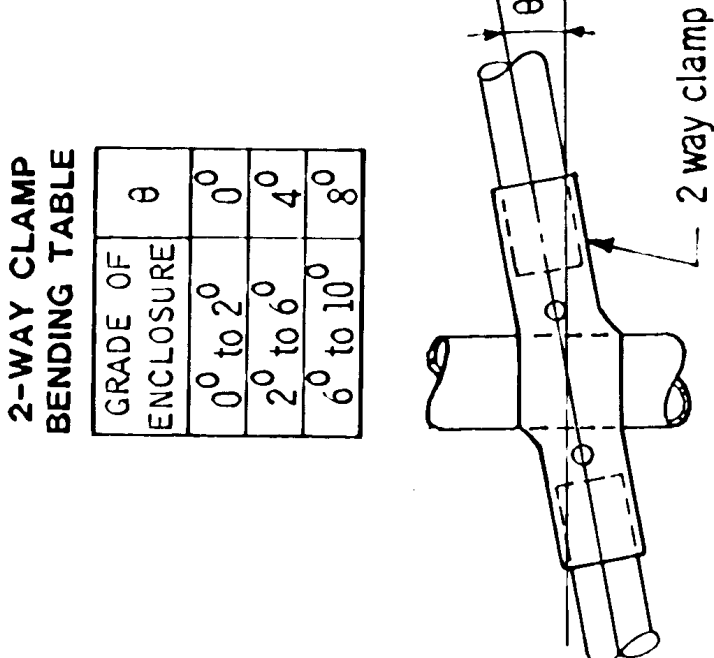
**AT END FRAMES (PLAN VIEW)**  
**JUNCTION "Z"**



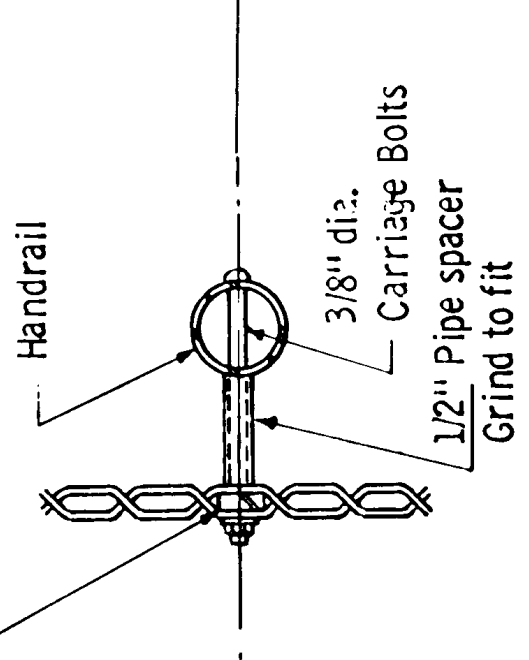
**AT INTERMEDIATE FRAMES (PLAN VIEW)**

**2-WAY CLAMP BENDING TABLE**

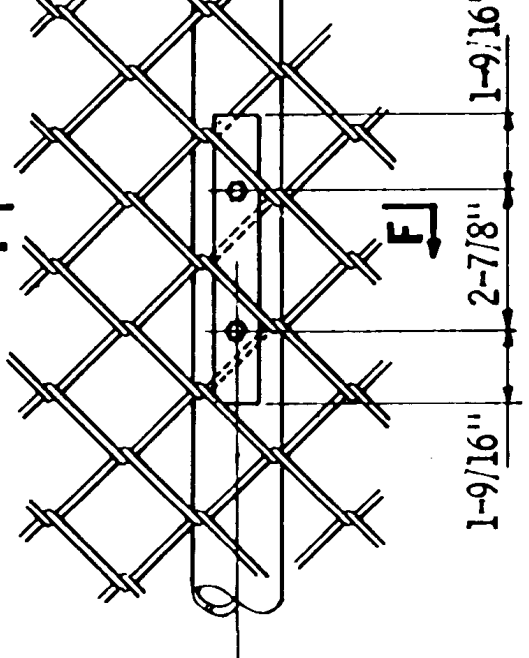
GRADE OF ENCLOSURE	$\theta$
0° to 20°	0°
20° to 60°	4°
60° to 100°	8°



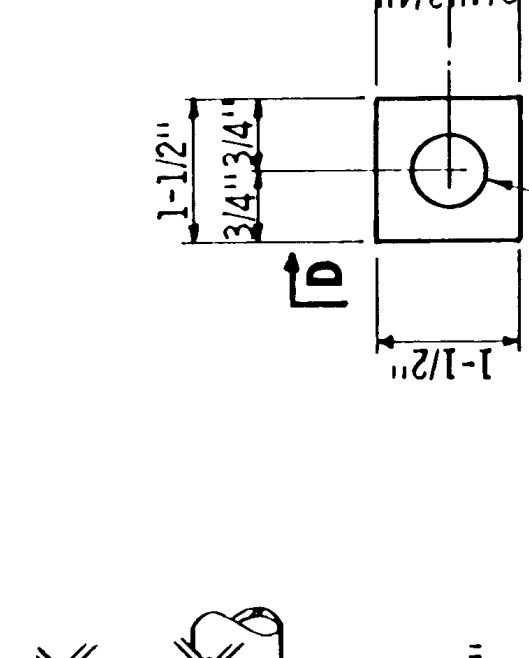
**HANDRAIL**



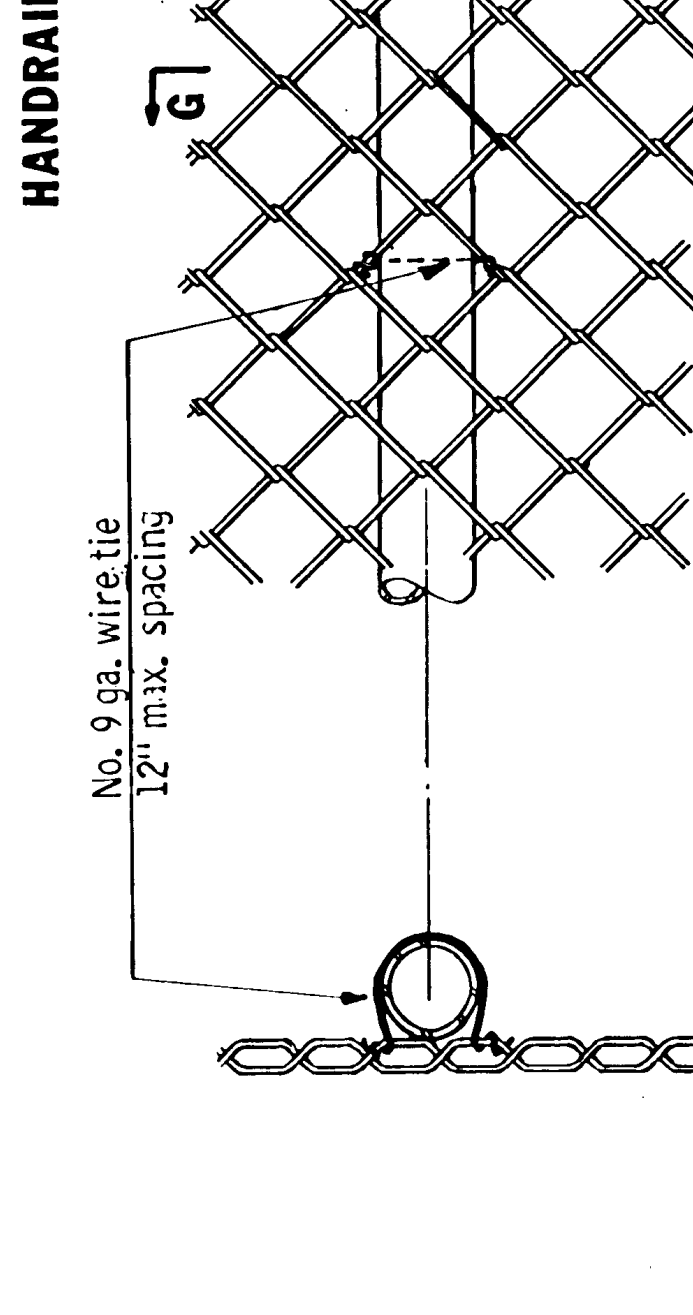
**JUNCTION "H"**



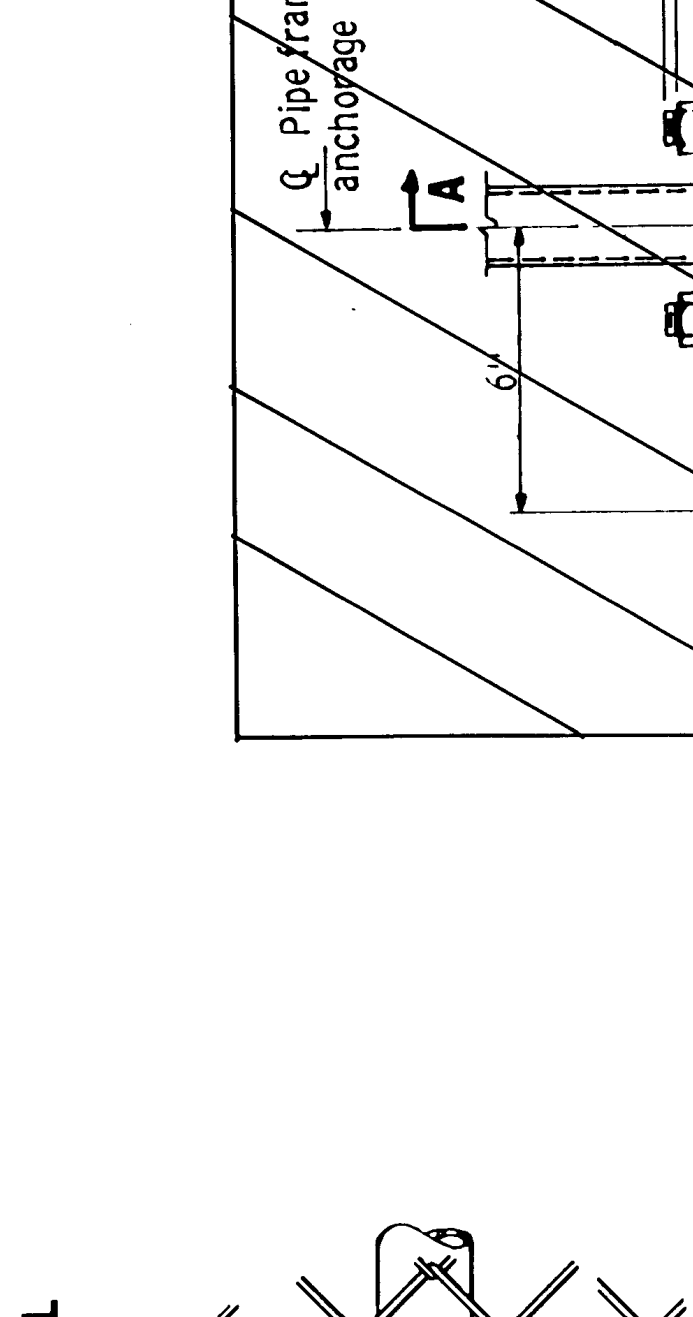
**JUNCTION "Y"**



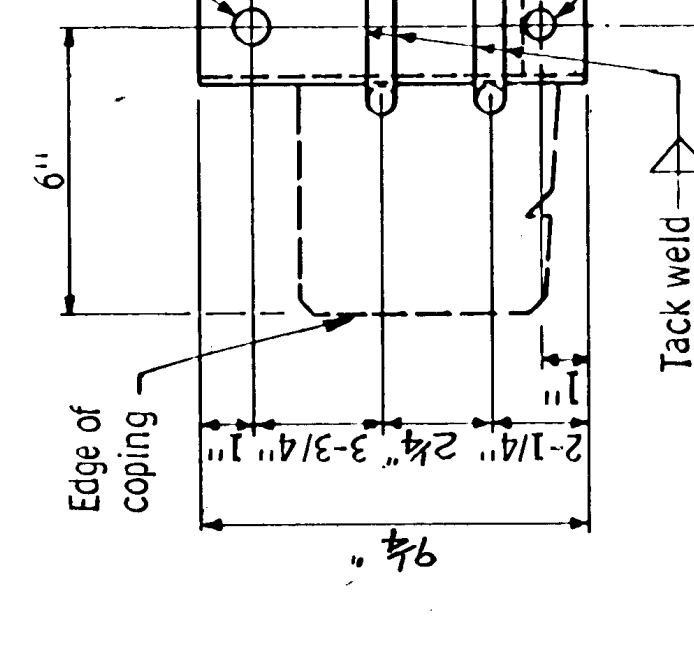
**JUNCTION "Z"**



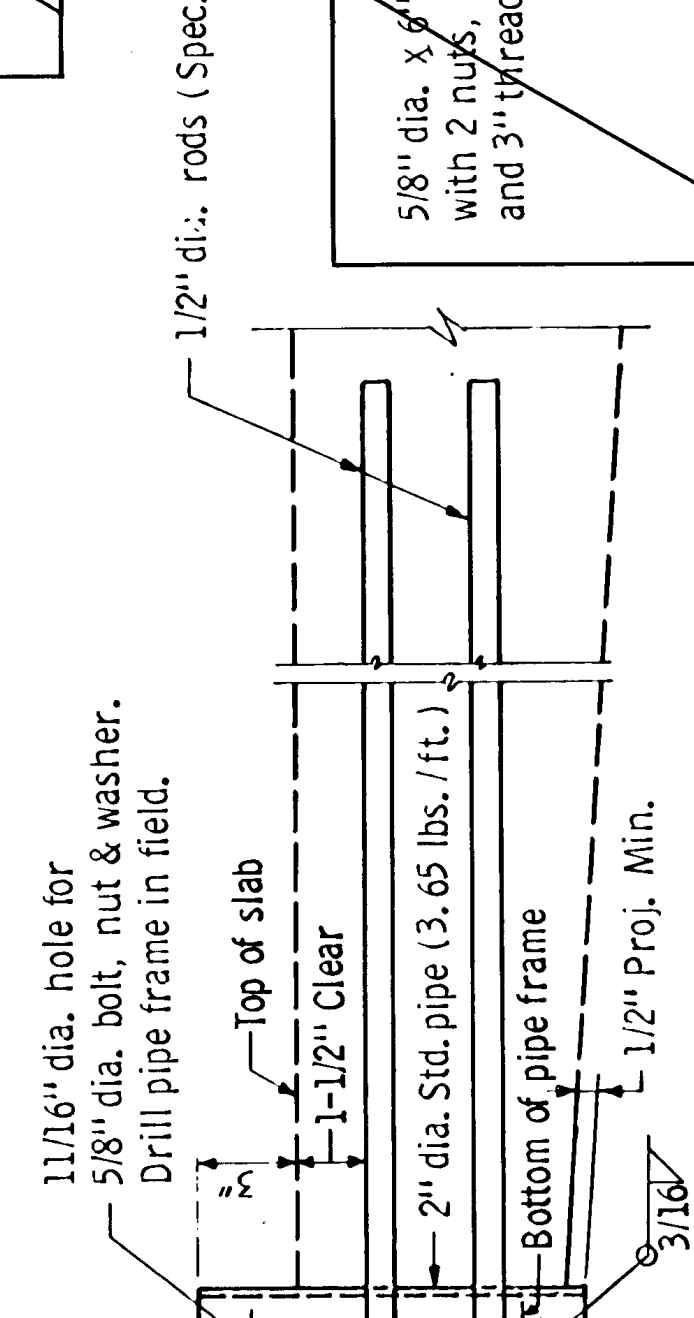
**FABRIC TIE**



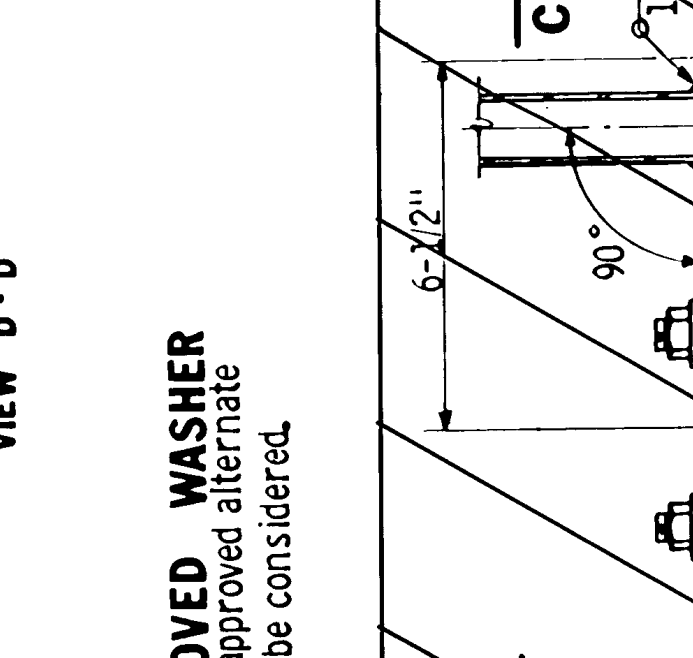
**GROOVED WASHER**  
An approved alternate will be considered.



**PIPE ANCHORAGE FOR PIPE FRAMES TYPE 1**



**BOLT ANCHORAGE FOR PIPE FRAMES TYPE 2**



**TYPICAL SECTION THRU WALKWAY**

**GENERAL NOTES:**  
For alternate to Type 1 anchorages, see Detail No. B905, Type C Intermediate Posts.  
See special provisions for requirements not included on this sheet and for basis of payment.  
All pipe diameters are nominal.  
Pipe frames shall be vertical.  
For spacing of pipe frames, location, type of anchorages and other details see Sheet No. 5.  
Set all anchorages vertical. At bolt type anchorages pack space between base plate and concrete with approved mortar after nuts have been adjusted and tightened.