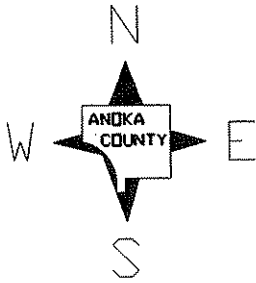


STATE OF MINNESOTA
 DEPARTMENT OF TRANSPORTATION
 CONSTRUCTION PLAN FOR BIT.MILLING AND OVERLAY,
 RECONST. C.B.'S, REPL. CONC. CURB

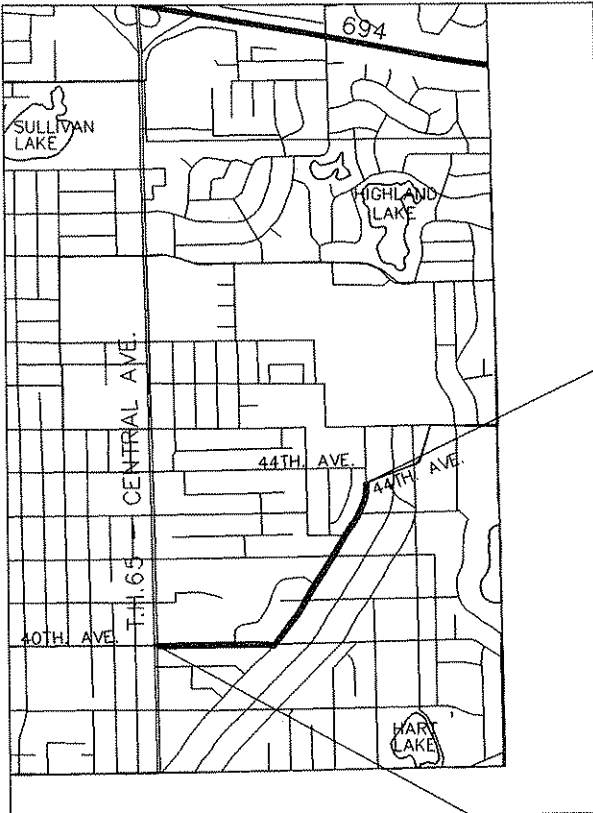


COUNTY STATE AID HIGHWAY NO. 2

From T.H. 65 - CENTRAL AVE.
 To 44 TH. AVE.
 From _____
 To _____
 From _____
 To _____

COUNTY PROJECT NO. 95-35-02

GROSS LENGTH 4,489.00 FEET 0.850 MILES
 BRIDGES LENGTH 0.00 FEET 0.000 MILES
 EXCEPTIONS LENGTH 0.00 FEET 0.000 MILES
 NET LENGTH 4,489.00 FEET 0.850 MILES



END C.P. 95-35-02

BEGIN C.P. 95-35-02

DESIGN SPEED

GOVERNING SPECIFICATIONS

THE 1988 EDITION OF THE MINNESOTA DEPARTMENT OF TRANSPORTATION "STANDARD SPECIFICATIONS FOR CONSTRUCTION", AS AMENDED BY THE MAY 2, 1994 SUPPLEMENTAL SPECIFICATIONS, SHALL GOVERN.

ALL APPLICABLE FEDERAL, STATE AND LOCAL LAWS AND ORDINANCES WILL BE COMPLIED WITH IN THE CONSTRUCTION OF THIS PROJECT.

I HEREBY CERTIFY THAT THIS PLAN WAS PREPARED BY ME OR UNDER MY DIRECT SUPERVISION AND THAT I AM A DULY REGISTERED PROFESSIONAL ENGINEER UNDER THE LAWS OF THE STATE OF MINN.

Ronald P. Fincke
 DESIGN ENGINEER

REG. NO. 20235 DATE 5/18/95

APPROVED 5/18/95

[Signature]
 ANOKA COUNTY ENGINEER

ITEM NO	ITEM	UNIT	TOTAL EST. QUANT
2104.501	REMOVE CURB AND GUTTER	LIN FT	1,120
2104.505	REMOVE CONCRETE DRIVEWAY PAVEMENT	SQ YD	2
2232.501	MILL BITUMINOUS SURFACE	SQ YD	9,011
2340.508	TYPE 41 WEARING COURSE MIXTURE	TON	1,889
2357.502	BITUMINOUS MATERIAL FOR TACK COAT	GALLON	1,049
0504.602	ADJUST GATE VALVE	EACH	10
2506.522	ADJUST FRAME AND RING CASTING	EACH	21
2531.501	CONCRETE CURB & GUTTER DESIGN B618	LIN FT	260
2531.501	CONCRETE CURB & GUTTER DESIGN B612	LIN FT	10
2531.501	CONCRETE CURB & GUTTER DESIGN S612	LIN FT	850
2531.507	6" CONCRETE DRIVEWAY PAVEMENT	SQ YD	2
2580.501	TEMPORARY LANE MARKING	RD STA	45

DESIGN DESIGNATION

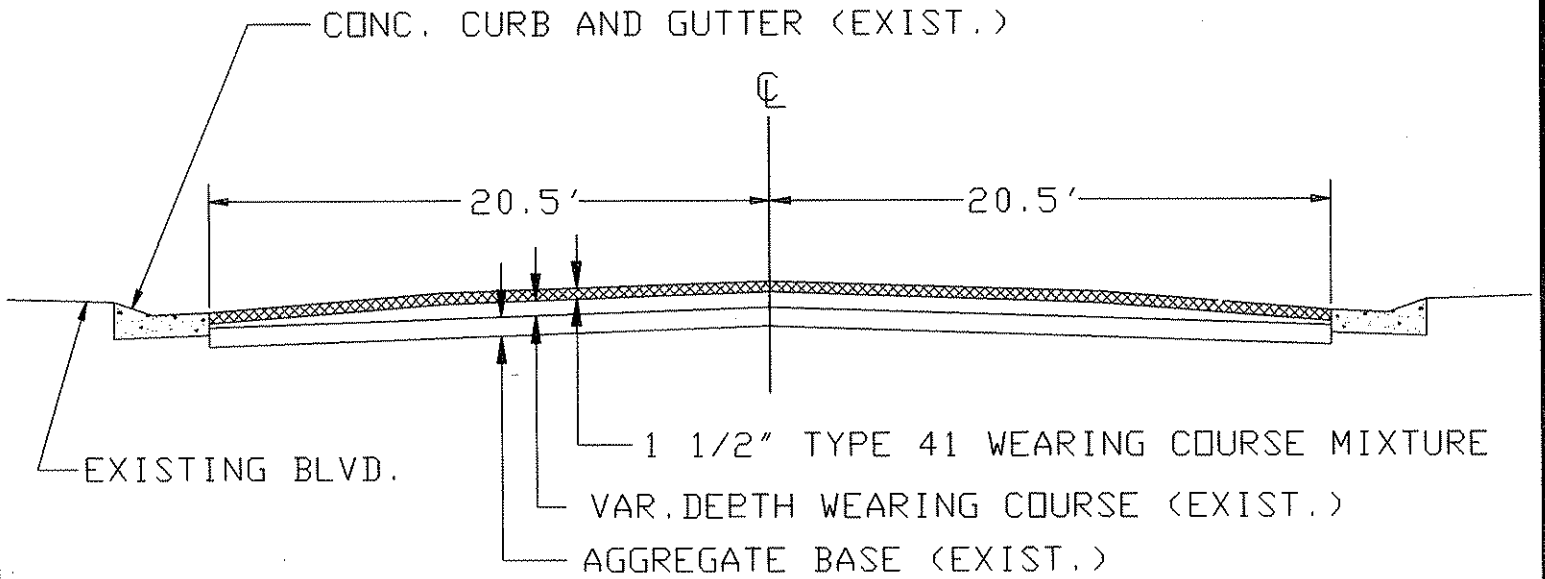
TYPE 41 WEAR: 41WEA50055Y

BASIS OF PLANNED QUANTITIES

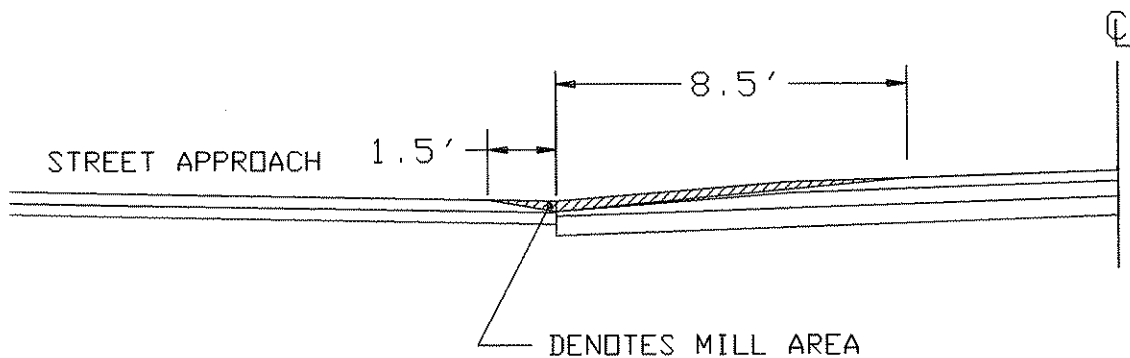
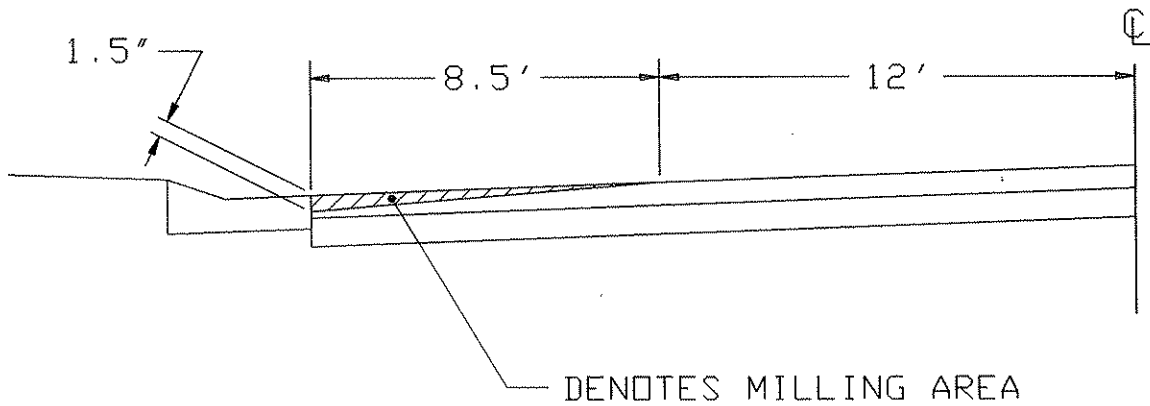
2340 WEARING COURSE MIXTURE: 120 LBS./SQ.YD. PER 1" THICKNESS
 2357 BITUMINOUS MATERIAL FOR TACK COAT: 0.05 GAL./SQ.YD.

STANDARD DETAIL PLATES	
PLATE NO.	DESCRIPTION
0004 A	SPECIFICATION REFERENCE TO STANDARD PLATES
8000 I	STANDARD BARRICADES

TYPICAL SECTIONS



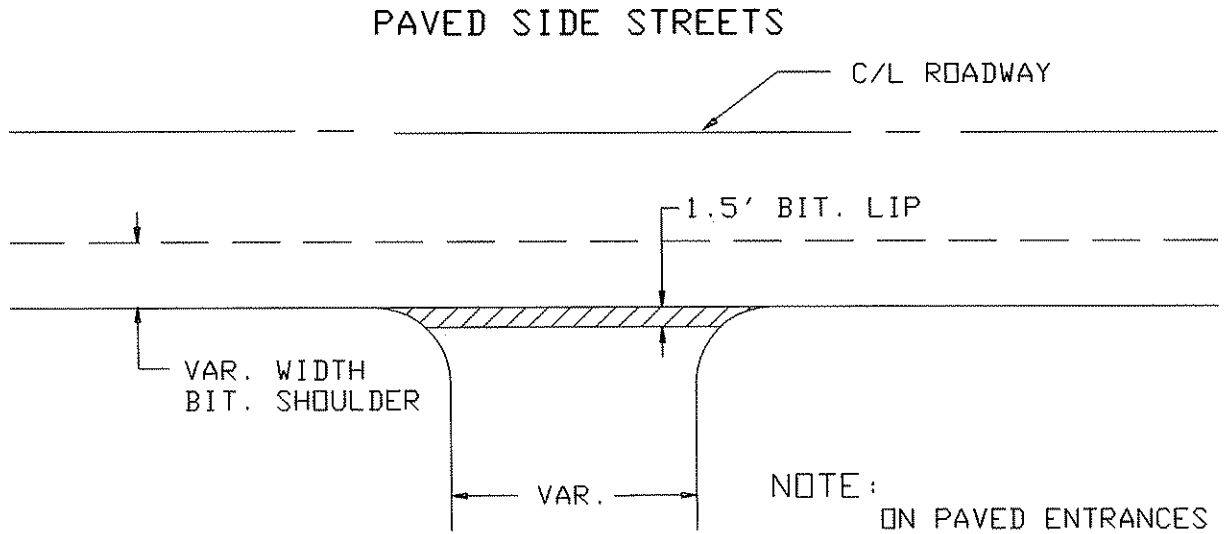
MILLING DETAILS



NOTE:

NOT TO SCALE

TYPICAL ENTRANCES



NOTE:
ON PAVED ENTRANCES
TACK PAVEMENT &
FEATHER BIT. TO
BLEND WITH EXISTING
PAVEMENT.

NOTE:
NOT TO SCALE