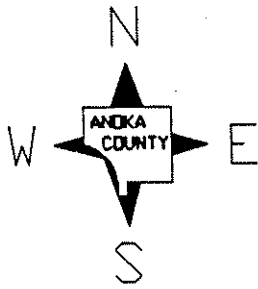
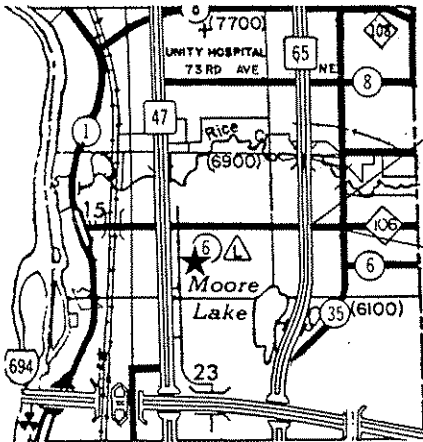


STATE OF MINNESOTA  
 DEPARTMENT OF TRANSPORTATION  
 CONSTRUCTION PLAN FOR BITUMINOUS MILLING  
AND RESURFACING



COUNTY STATE AID HIGHWAY NO. 6  
 COUNTY ROAD NO. \_\_\_\_\_  
 From T.H. 65  
 To C.S.A.H. 35  
 From \_\_\_\_\_  
 To \_\_\_\_\_

COUNTY PROJECT NO. 92-24-06  
 GROSS LENGTH 1410 FEET 0.267 MILES  
 BRIDGES LENGTH 0 FEET 0 MILES  
 EXCEPTIONS LENGTH 0 FEET 0 MILES  
 NET LENGTH 1410 FEET 0.267 MILES



BEGIN 92-24-06

END 92-24-06

DESIGN SPEED

35 MPH.

GOVERNING SPECIFICATIONS

THE 1988 EDITION OF THE MINNESOTA DEPARTMENT OF TRANSPORTATION "STANDARD SPECIFICATIONS FOR CONSTRUCTION" AND "SUPPLEMENTAL SPECIFICATIONS TO THE 1988 STANDARD SPECIFICATIONS FOR CONSTRUCTION" DATED 1/2/1991 SHALL GOVERN.

ALL APPLICABLE FEDERAL, STATE AND LOCAL LAWS AND ORDINANCES WILL BE COMPLIED WITH IN THE CONSTRUCTION OF THIS PROJECT.

I HEREBY CERTIFY THAT THIS PLAN WAS PREPARED BY ME OR UNDER MY DIRECT SUPERVISION AND THAT I AM A DULY REGISTERED PROFESSIONAL ENGINEER UNDER THE LAWS OF THE STATE OF MINN.

*Paul K. Ruud*  
 COUNTY ENGINEER

DATE 5-22-92

ANKA

COUNTY REG. NO. 6549

RECOMMENDED FOR APPROVAL \_\_\_\_\_, 19\_\_\_\_  
 DISTRICT ENGINEER

RECOMMENDED FOR APPROVAL \_\_\_\_\_

APPROVED \_\_\_\_\_, 19\_\_\_\_  
 STATE AID ENGINEER

COUNTY PROJECT 92-24-06

STATE AID PROJECT \_\_\_\_\_

| ITEM NO  | ITEM                              | UNIT     | TOTAL EST. QUANT |
|----------|-----------------------------------|----------|------------------|
| 2232.501 | MILL BITUMINOUS SURFACE           | SQ.YD.   | 2338             |
| 2331.508 | TYPE 41 WEARING COURSE MIXTURE    | TON      | 576              |
| 2357.502 | BITUMINOUS MATERIAL FOR TACK COAT | GAL.     | 349              |
| 2580.501 | TEMPORARY LANE MARKING            | RD.STA.  | 14               |
| 2104.501 | REMOVE CURB & GUTTER              | LIN. FT. | 169              |
| 2104.503 | REMOVE SIDEWALK                   | SQ. FT.  | 954              |
| 2521.501 | 6" CONCRETE WALK                  | SQ. FT.  | 954              |
| 2531.501 | CONC. CURB & GUTTER DESIGN B-618  | LIN. FT. | 169              |
| 0504.602 | ADJUST WATER GATE HOUSING         | EACH     | 9                |
| 2506.522 | ADJUST FRAME AND RING CASTING     | EACH     | 8                |

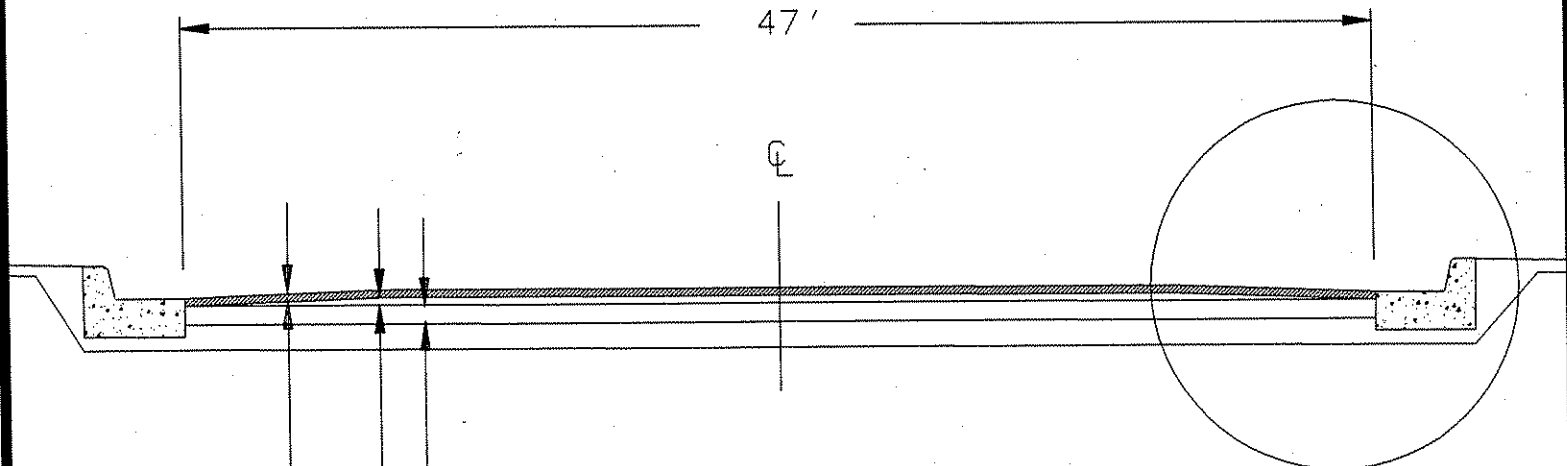
BASIS OF PLANNED QUANTITIES

2331 TYPE 41 WEARING COURSE MIXTURE: 110 LBS/SQ.YD. PER 1"

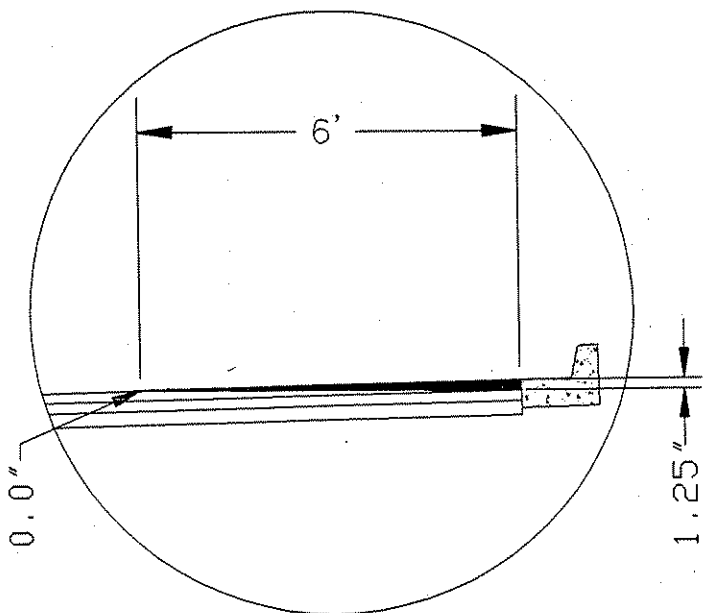
2357 BITUMINOUS MATERIAL FOR TACK COAT: 0.05 GAL/SQ.YD.

| STANDARD DETAIL PLATES |  |
|------------------------|--|
| PLATE NO.              | DESCRIPTION                                |
| 0004 A                 | SPECIFICATION REFERENCE TO STANDARD PLATES |
| 8000 I                 | STANDARD BARRICADES                        |
| 7100 F                 | CONCRETE CURB & GUTTERS                    |

# MILLING AND RESURFACING TYPICAL SECTION



- INPLACE VAR. DEPTH BIT, BASE & BINDER
- INPLACE 1 1/2" 2341 BIT, WEARING COURSE
- PLACE 1 1/2" 2331 TYPE 41 WEARING COURSE



MILL 1 1/4" BELOW THE GUTTER LINE,  
UP TO 0" AT 6' FROM GUTTER

NOTE :

NOT TO SCALE