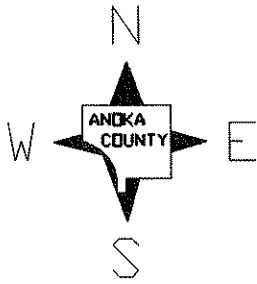


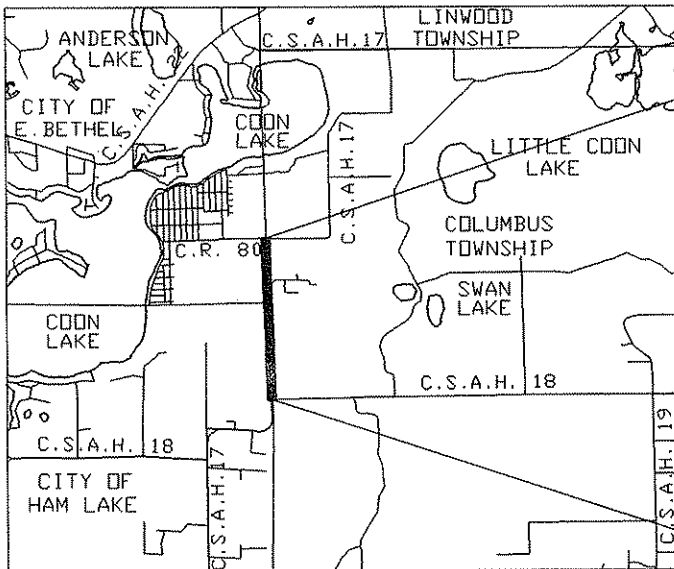
STATE OF MINNESOTA  
 DEPARTMENT OF TRANSPORTATION  
 CONSTRUCTION PLAN FOR BIT.OVERLAY AND  
AGG.SHL.D.



C.S.A.H. NO. 17  
 From C.S.A.H. 18  
 To CO. RD. 80  
 From \_\_\_\_\_  
 To \_\_\_\_\_

COUNTY PROJECT NO. 95-47-17

GROSS LENGTH 6,117.00 FEET 1.159 MILES  
 BRIDGES LENGTH 0.00 FEET 0.000 MILES  
 EXCEPTIONS LENGTH 0.00 FEET 0.000 MILES  
 NET LENGTH 6,117.00 FEET 1.159 MILES



END C.P. 95-47-17

BEGIN C.P. 95-47-17

DESIGN SPEED

ALL APPLICABLE FEDERAL, STATE AND LOCAL LAWS AND ORDINANCES WILL BE COMPLIED WITH IN THE CONSTRUCTION OF THIS PROJECT.

I HEREBY CERTIFY THAT THIS PLAN WAS PREPARED BY ME OR UNDER MY DIRECT SUPERVISION AND THAT I AM A DULY REGISTERED PROFESSIONAL ENGINEER UNDER THE LAWS OF THE STATE OF MINN.

GOVERNING SPECIFICATIONS

THE 1988 EDITION OF THE MINNESOTA DEPARTMENT OF TRANSPORTATION "STANDARD SPECIFICATIONS FOR CONSTRUCTION", AS AMENDED BY THE MAY 2, 1994 SUPPLEMENTAL SPECIFICATIONS.

*Donald W. Fische* REG. NO. 20235 DATE 6/20/95  
 DESIGN ENGINEER

APPROVED 6/20/95 *J. J. Jansel*  
 ANOKA COUNTY ENGINEER

ITEM NO	ITEM	UNIT	TOTAL EST. QUANT
① 2123.503	MOTOR GRADER	HR	20
2221.501	AGGREGATE SHOULDERING, CLASS 5	TON	551
2232.501	MILL BITUMINOUS SURFACE	SQ YD	46
② 2340.508	TYPE 41 WEARING COURSE MIXTURE	TON	1,507
③ 2340.512	TYPE 31 LEVELING COURSE MIXTURE	TON	350
④ 0340.601	2" THICK BIT. WEAR COURSE	SQ YD	155
2357.502	BITUMINOUS MATERIAL FOR TACK COAT	GALLON	830
2580.501	TEMPORARY LANE MARKING	RD STA	65

- ① FOR FINAL SHOULDER PREPARATION PRIOR TO PAVING AND SHOULDERING (SEE TYPICAL SECTIONS)
- ② INCLUDES BIT.LIP QUANTITIES FOR PAVED STREET APPROACHES.
- ③ INCLUDES 300 TON FOR DIP CORRECTION.
- ④ INCLUDES 123 S.Y. FOR UNPAVED STREET APPROACHES.

DESIGN DESIGNATIONS:

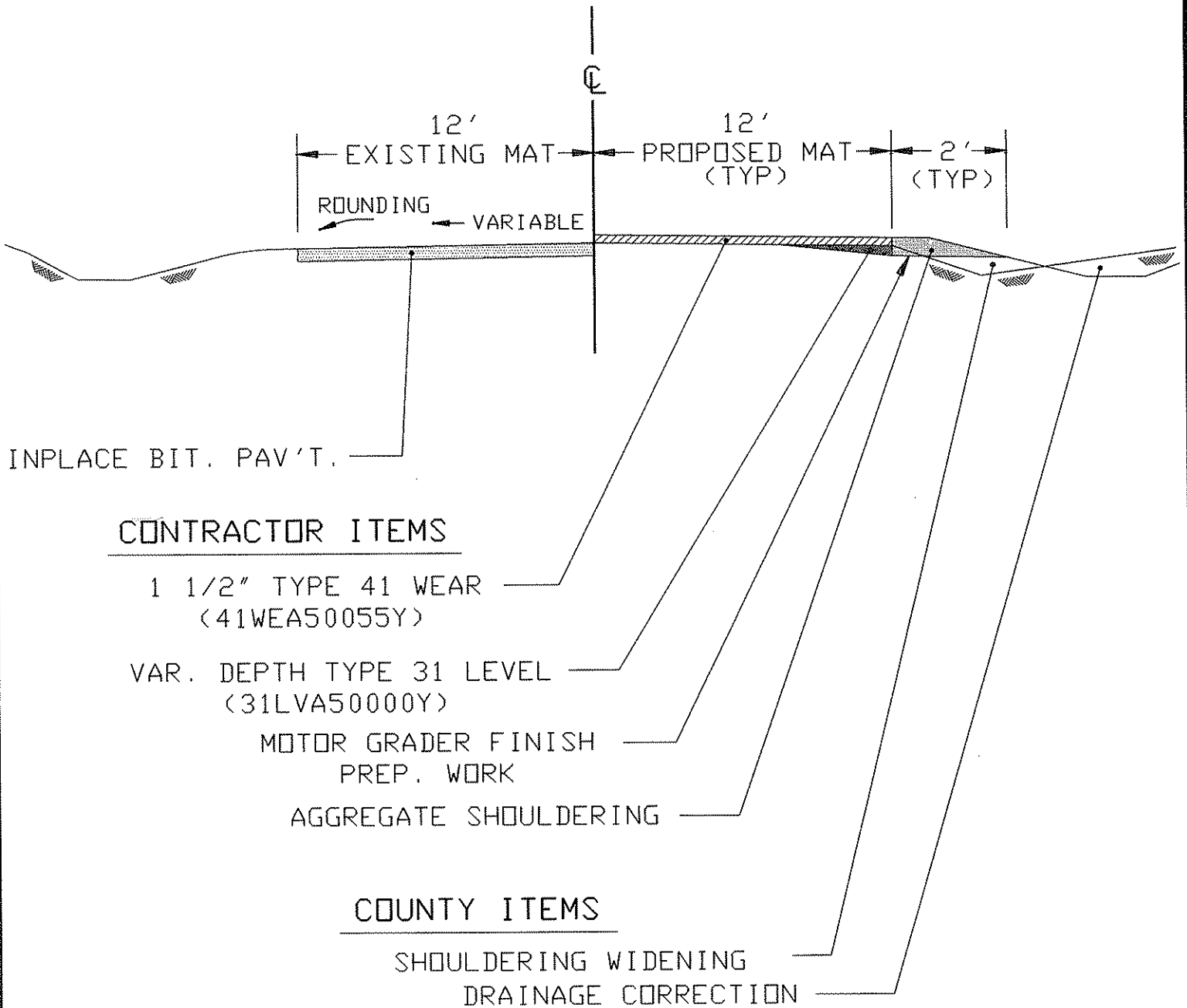
TYPE 41 WEAR: 41WEA50055Y  
TYPE 31 LEVEL: 31LVA50000Y

BASIS OF PLANNED QUANTITIES

2340 TYPE 41 WEARING COURSE MIX.: 120 LBS./SQ.YD. PER 1" THICK  
2357 BITUMINOUS MATERIAL FOR TACK COAT: 0.05 GAL./SQ.YD.

STANDARD DETAIL PLATES	
PLATE NO.	DESCRIPTION
0004 A	SPECIFICATION REFERENCE TO STANDARD PLATES
8000 I	STANDARD BARRICADES

# TYPICAL SECTIONS

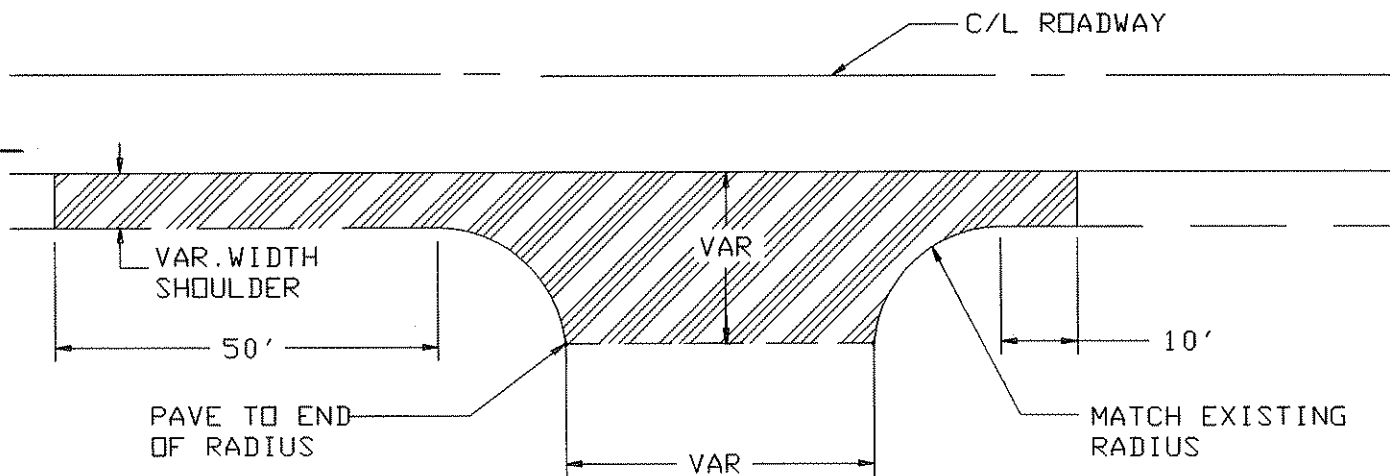


NOTE:

NOT TO SCALE

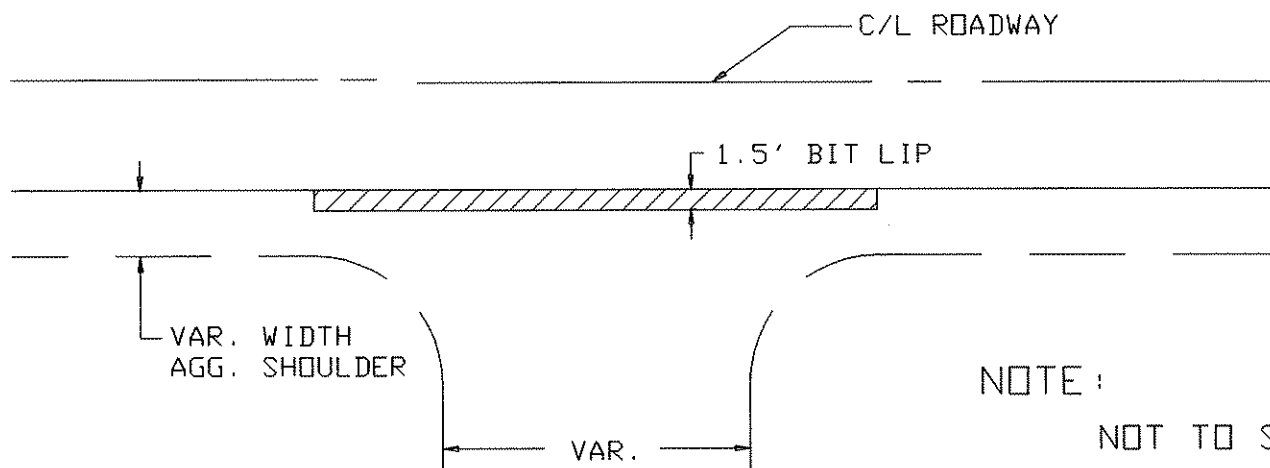
# TYPICAL STREET APPROACHES

## UNPAVED SIDE ROADS & STREETS



NOTE: PAID FOR AS ITEM 0340.601  
(2" THICK BIT. WEARING COURSE)

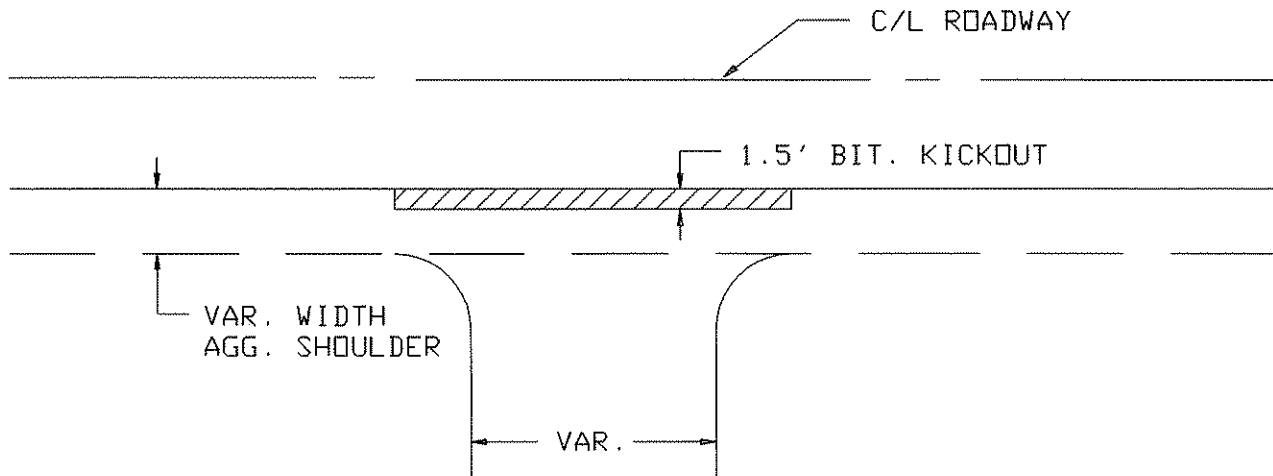
## PAVED SIDE ROADS & STREETS



NOTE: KICKOUT PAID FOR AS ITEM NO. 2340.508  
(TYPE 41 WEARING COURSE MIXTURE)

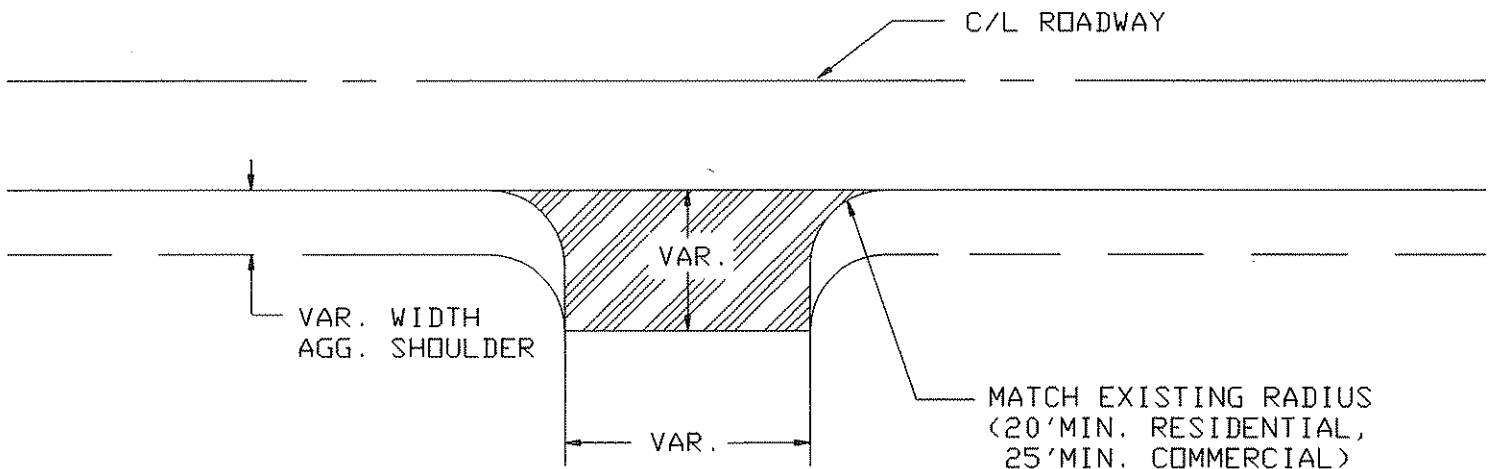
# TYPICAL ENTRANCES

## UNPAVED DRIVEWAY AND FIELD ENTRANCES



NOTE: KICKOUT PAID FOR AS ITEM NO. 2340.508  
(TYPE 41 WEARING COURSE MIXTURE)

## PAVED ENTRANCES



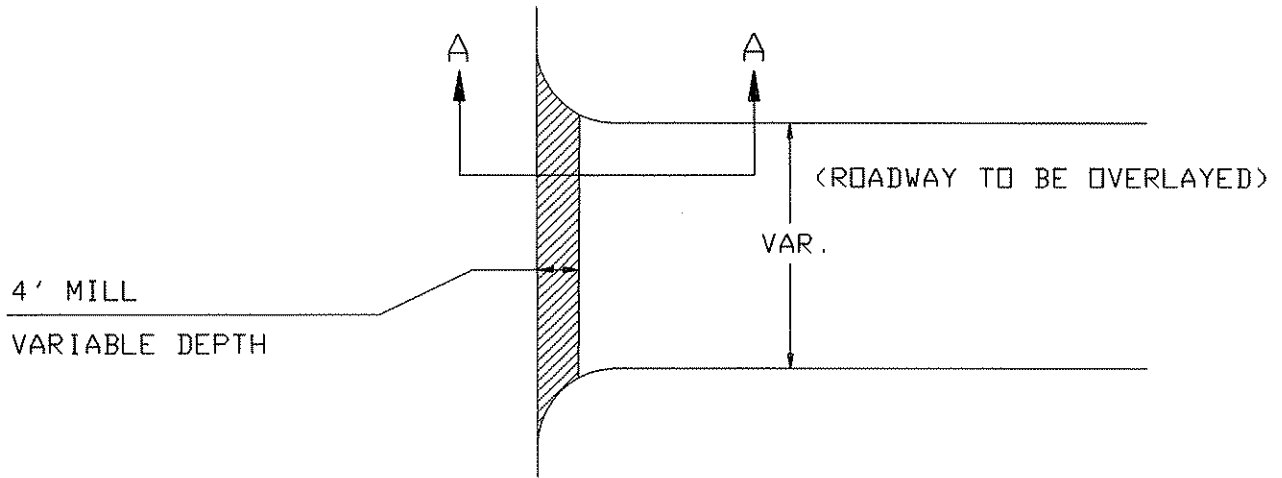
NOTE: PAID FOR AS ITEM 0340.601  
(2" THICK BIT. WEARING COURSE)

NOTE:

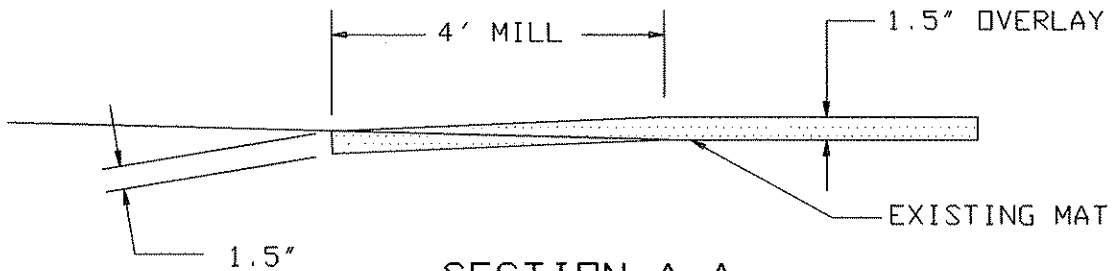
NOT TO SCALE

# MILLING DETAILS

## BUTT JOINTS

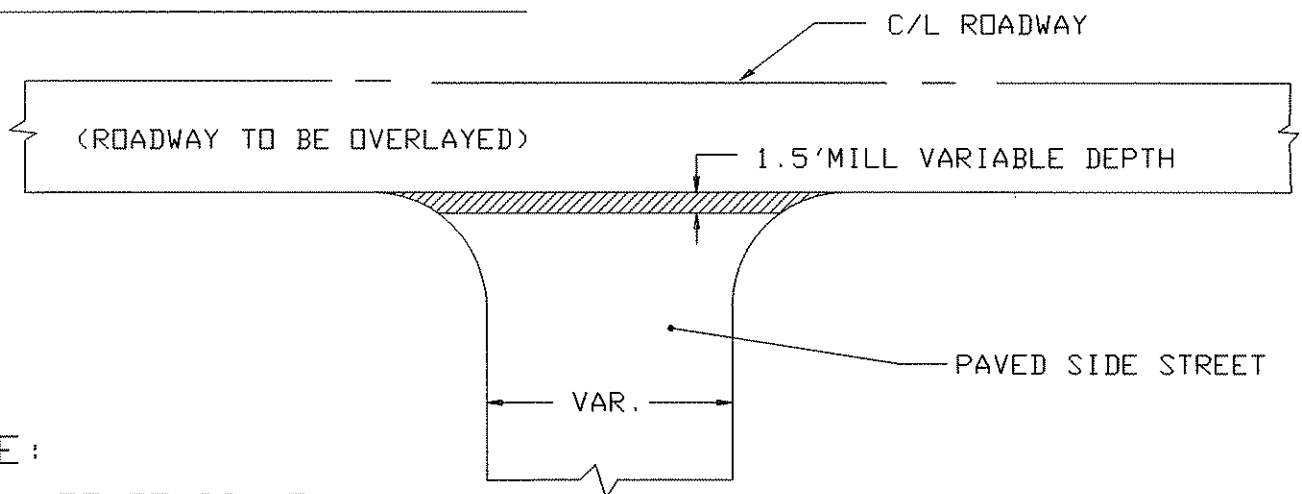


PLAN VIEW



SECTION A-A

## BITUMINOUS SIDE STREETS



NOTE:  
NOT TO SCALE