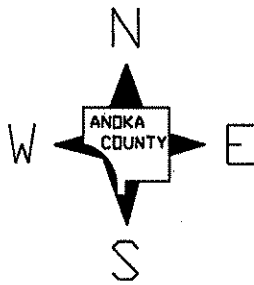


ANOKA COUNTY HIGHWAY DEPARTMENT



CONSTRUCTION PLAN FOR: BITUMINOUS OVERLAY & TOPSOIL SHOULDERING

COUNTY ROAD NO. VERDIN ST.

From: C.R. NO. 72 (243RD AVE.)

To: NORTH COUNTY LINE

From: \_\_\_\_\_

To: \_\_\_\_\_

COUNTY PROJECT NO. 99-14-72

GROSS LENGTH 1308.00 FEET 0.248 MILES

BRIDGES LENGTH 0.00 FEET 0.000 MILES

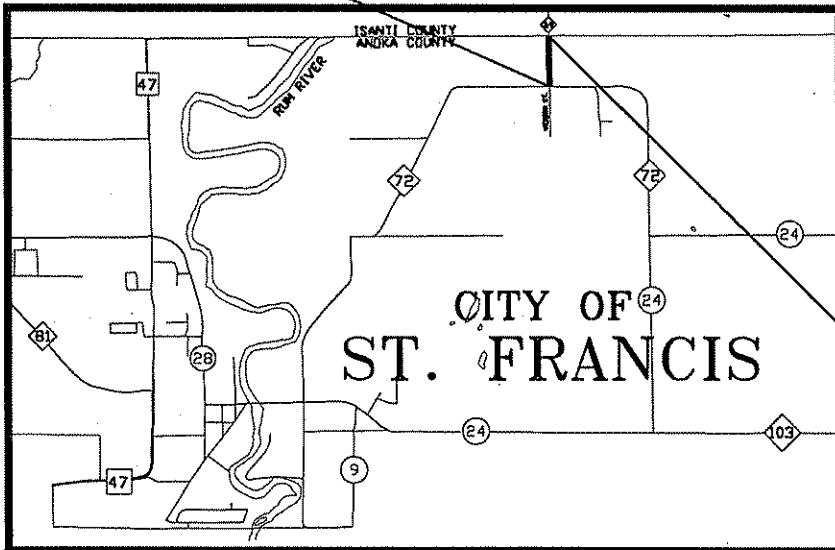
EXCEPTIONS LENGTH 0.00 FEET 0.000 MILES

NET LENGTH 1308.00 FEET 0.248 MILES

BEGIN C.P. 99-14-72

ADT (1998) = N/A

N/A TON DESIGN



END C.P. 99-14-72

GOVERNING SPECIFICATIONS

THE 1995 EDITION OF THE MINNESOTA DEPARTMENT OF TRANSPORTATION "STANDARD SPECIFICATIONS FOR CONSTRUCTION" AND ALL SUPPLEMENTS THERETO.

ALL TRAFFIC CONTROL DEVICES SHALL CONFORM TO THE MMUTCD, INCLUDING "FIELD MANUAL FOR TEMPORARY TRAFFIC CONTROL ZONE LAYOUTS" DATED JANUARY 1998.

ALL APPLICABLE FEDERAL, STATE AND LOCAL LAWS AND ORDINANCES WILL BE COMPLIED WITH IN THE CONSTRUCTION OF THIS PROJECT.

I HEREBY CERTIFY THAT THIS PLAN WAS PREPARED BY ME OR UNDER MY DIRECT SUPERVISION AND THAT I AM A DULY REGISTERED PROFESSIONAL ENGINEER UNDER THE LAWS OF THE STATE OF MINN.

  
ASSISTANT COUNTY ENGINEER

REG. NO. 25066 DATE: 6/30/99

APPROVED: 7/6/99

  
ANOKA COUNTY ENGINEER

# STATEMENT OF ESTIMATED QUANTITIES

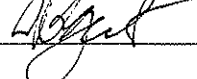
ITEM NO	ITEM	UNIT	EST. QUANT.
2120.501	EARTH SHOULDERING	CU YD	80
① 2123.503	MOTOR GRADER	HOUR	4
① 2123.521	PNEUMATIC-TIRED ROLLER	HOUR	4
① 2130.501	WATER	M-GAL	4
② 2211.501	AGGREGATE BASE CLASS 5	TON	14
③ 2232.501	MILL BITUMINOUS SURFACE	SQ YD	48
2350.609	TYPE MV 4 WEARING COURSE MIXTURE	TON	460
2357.502	BITUMINOUS MATERIAL FOR TACK COAT	GALLON	218
2540.602	INSTALL MAIL BOX SUPPORT	EACH	1
2575.501	SEEDING	ACRE	0.3
2575.502	SEED MIXTURE 80A	POUND	13
2575.512	MULCH MATERIAL TYPE 2	GALLON	72
2575.532	COMMERCIAL FERTILIZER ANALYSIS 10-10-10	POUND	149
2580.501	TEMPORARY LANE MARKING	LIN FT	105

- ① FOR FINAL GRADING OF AGGREGATE SHOULDERS PRIOR TO PAVING.
- ② FOR RESTORATION OF AGGREGATE ENTRANCES.
- ③ FOR BUTT JOINT MILLING.

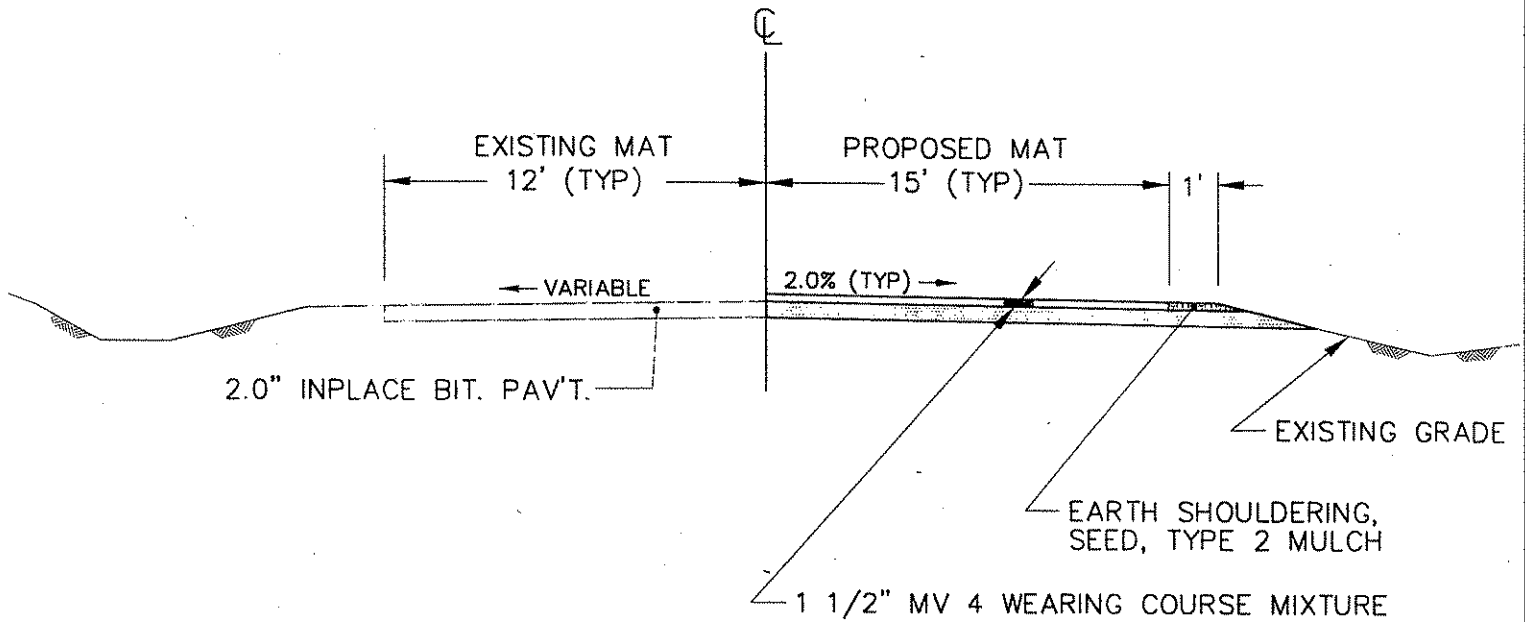
## BASIS OF PLANNED QUANTITIES

2120 EARTH SHOULDERING: 317 CU.YDS/MILE  
 2350 TYPE MV 4 WEARING COURSE MIX: 140 LBS./SQ.YD. PER 1" THICKNESS  
 2357 BITUMINOUS MATERIAL FOR TACK COAT: 0.05 GAL./SQ.YD. PER LIFT APPLIED.  
 2575 SEEDING: BASED ON HORIZONTAL MEASUREMENT +10%.  
 2575 SEED MIXTURE 80A: 45 LBS./ACRE.  
 2575 MULCH MATERIAL TYPE 2: 0.18 GAL./SQ.YD.  
 2575 COMMERCIAL FERTILIZER ANAL. 10-10-10 (OR EQUIVALENT): 500 LBS./ACRE.

MN/DOT STANDARD PLATES	
THESE STANDARD PLATES AS APPROVED BY THE FHWA SHALL APPLY.	
PLATE NO.	DESCRIPTION
M0004 A	SPECIFICATION REFERENCE TO STANDARD PLATES
M8000 I	STANDARD BARRICADES

CERTIFIED BY  REG. NO. 25066 DATE 6/30/99  
 COUNTY PROJECT 99-14-72 SHEET 2 OF 6 SHEETS

# TYPICAL SECTIONS



NOTE: SHOULDER WIDENING, INSLOPE GRADING AND TURF ESTABLISHMENT TO BE COMPLETED BY ANOKA COUNTY MAINTENANCE FORCES PRIOR TO THE CONTRACTOR BEGINNING ANY CONTRACT WORK.

## DESIGN DESIGNATIONS:

TYPE MV 4 WEARING COURSE MIXTURE: MVWE45035B

(NOT TO SCALE)

CERTIFIED BY

*[Signature]*

REG. NO.

2066

DATE

6/30/99

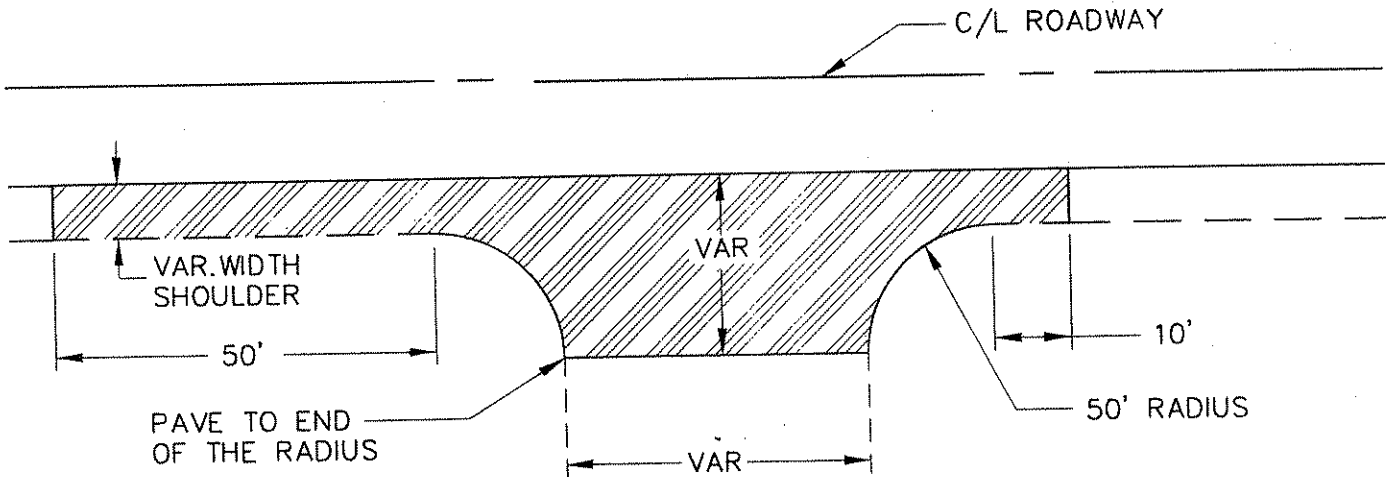
COUNTY PROJECT

99-14-72

SHEET 3 OF 6 SHEETS

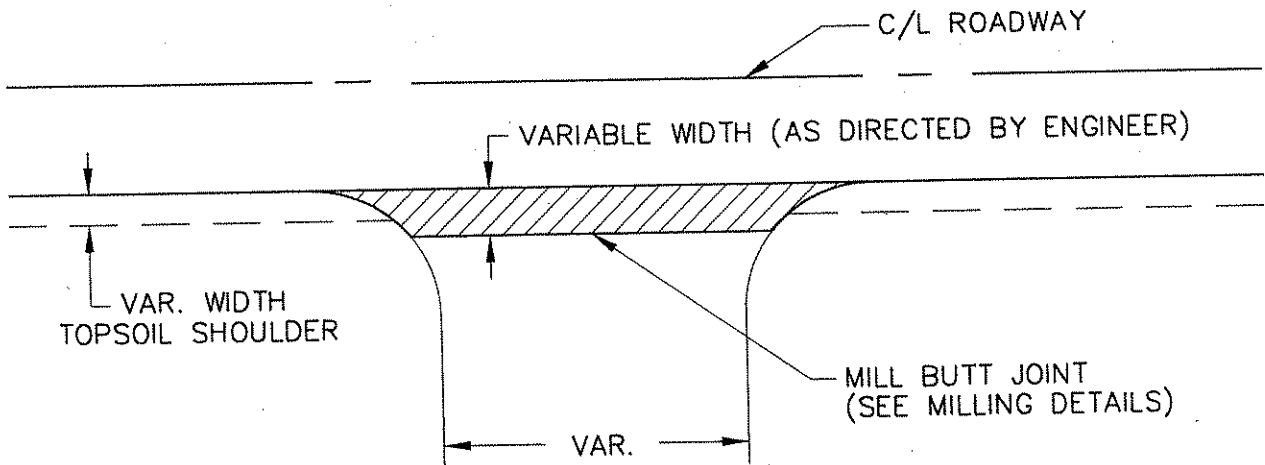
# TYPICAL STREET APPROACHES

## UNPAVED STREET APPROACHES



NOTE: PAID FOR AS ITEM NO. 2350.604  
(TYPE MV 4 WEAR COURSE 2" THICK)

## PAVED STREET APPROACHES



NOTE: KICKOUT PAID FOR AS ITEM NO. 2350.609 (TYPE MV 4 WEARING COURSE MIXTURE)/ OR  
KICKOUT PAID FOR AS ITEM NO. 2350.604 (TYPE MV 4 WEAR COURSE 1 1/2" THICK)

(NOT TO SCALE)

CERTIFIED BY

REG. NO.

25086

DATE

6/30/99

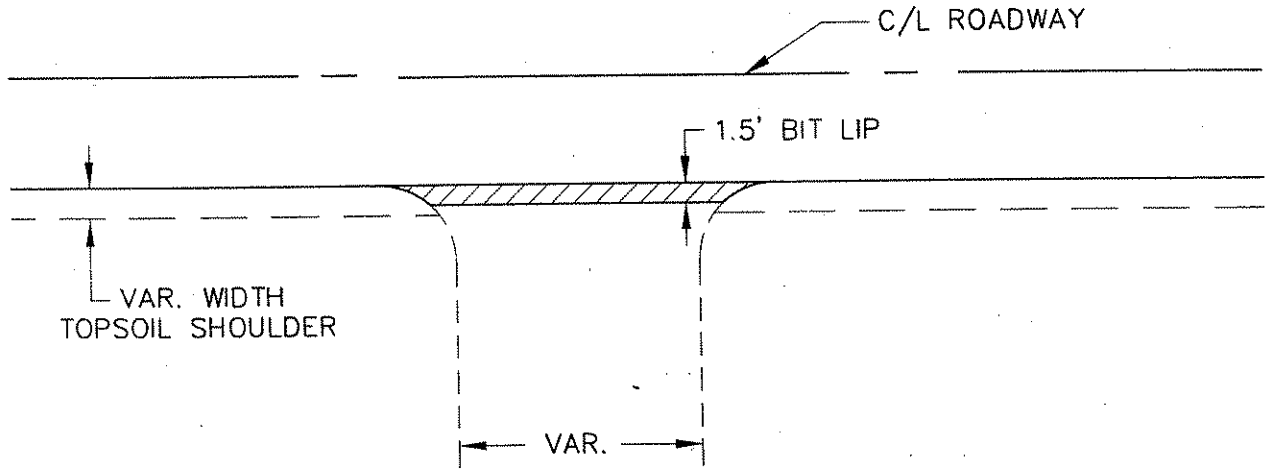
COUNTY PROJECT

99-14-72

SHEET 4 OF 6 SHEETS

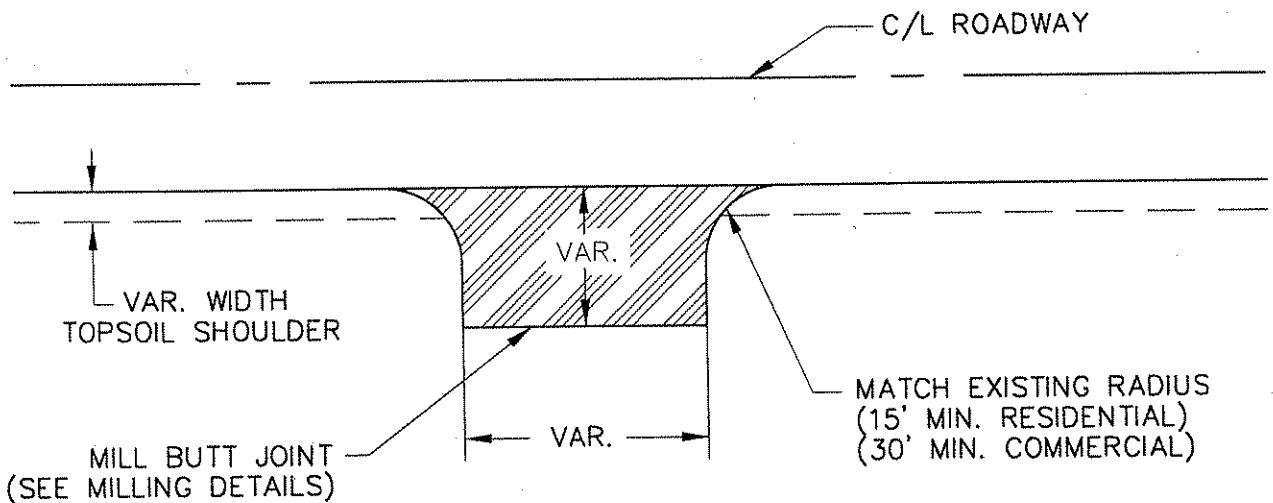
# TYPICAL ENTRANCES

## UNPAVED DRIVEWAY AND FIELD ENTRANCES



NOTE: KICKOUT PAID FOR AS ITEM NO. 2350.609  
(TYPE MV 4 WEARING COURSE MIXTURE)

## PAVED ENTRANCES



NOTE: PAID FOR AS ITEM NO. 2350.604  
(TYPE MV 4 WEAR COURSE 1 1/2" THICK)

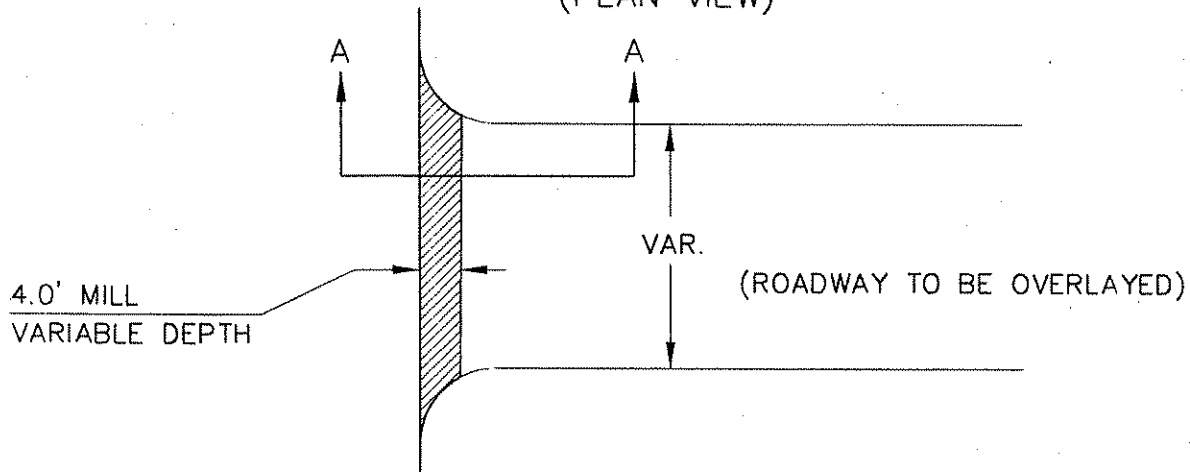
(NOT TO SCALE)

CERTIFIED BY *[Signature]* REG. NO. 7856 DATE 6/30/99  
COUNTY PROJECT 99-14-72 SHEET 5 OF 6 SHEETS

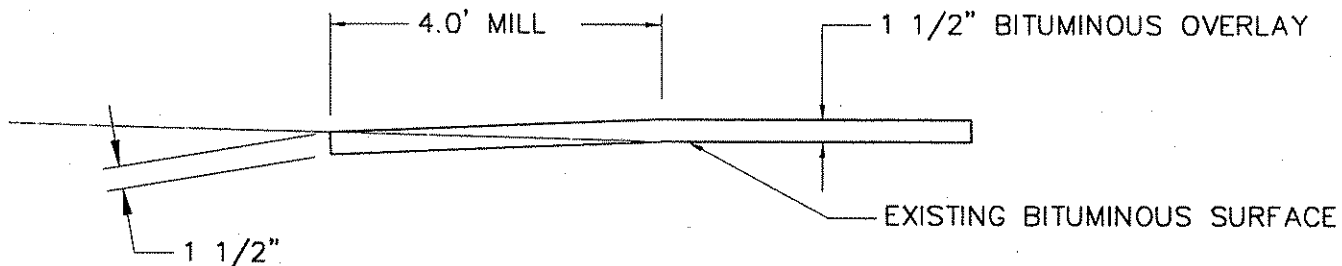
# MILLING DETAILS

## BUTT JOINTS

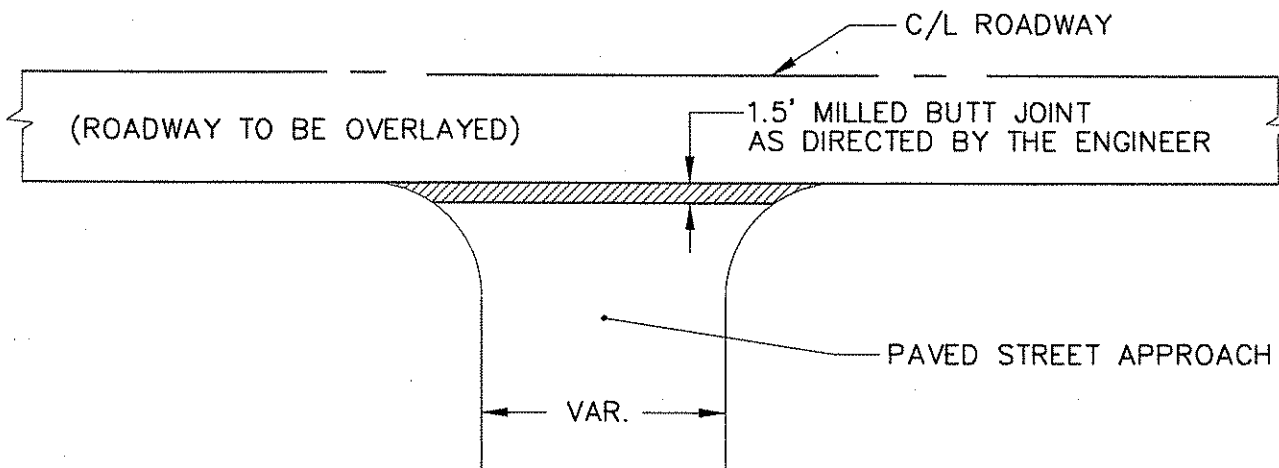
(PLAN VIEW)



(SECTION A-A)



## PAVED STREET APPR. & ENTRANCES



(NOT TO SCALE)

CERTIFIED BY

*Robert*

REG. NO.

25066

DATE

6/30/99

COUNTY PROJECT

99-14-72

SHEET 6 OF 6 SHEETS