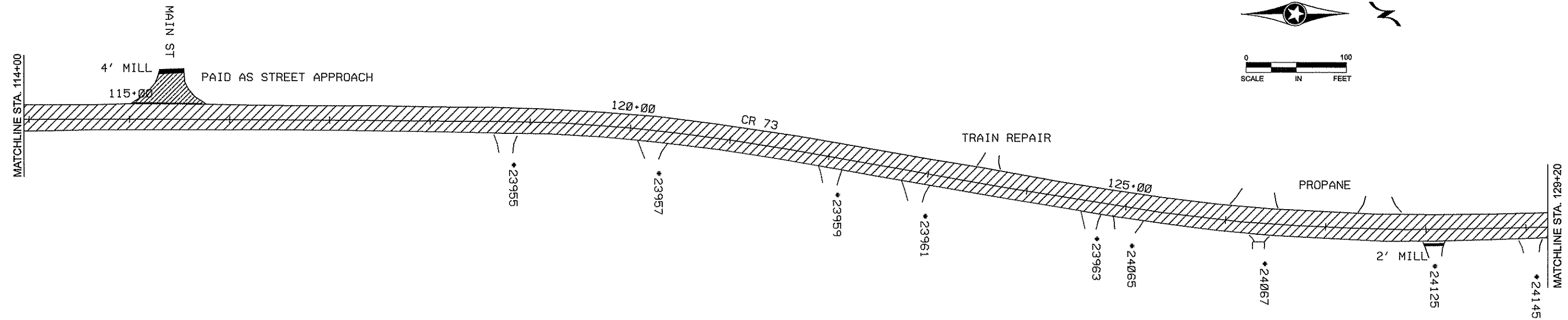
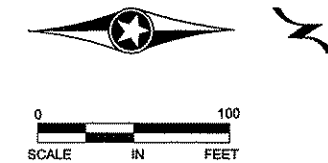
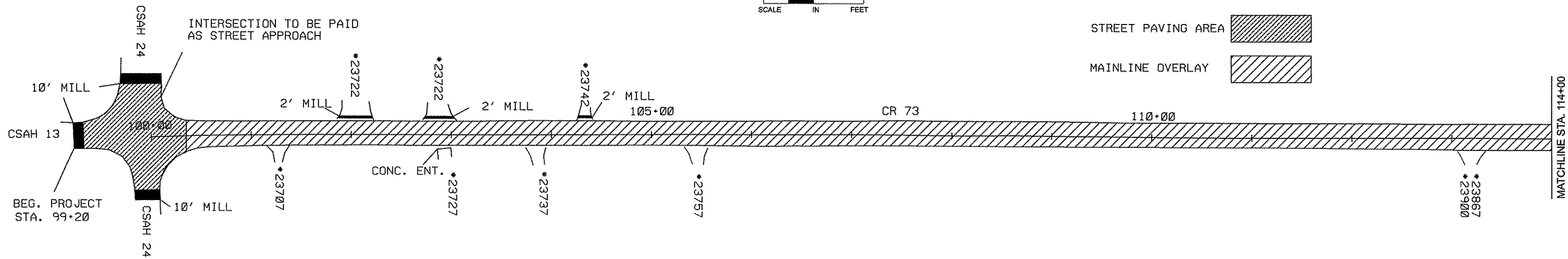


MILL JOINT

STREET PAVING AREA

MAINLINE OVERLAY



NO	DATE	BY	CHKD	APPR	REVISION

NAME: P:\09-01-00\CR_73\Plan\OVERLAY TEMPLET PLAN PLAN.dgn 02/06/2009 8:44:55 AM

I HEREBY CERTIFY THAT THIS PLAN WAS PREPARED BY ME OR UNDER MY DIRECT SUPERVISION AND THAT I AM A DULY LICENSED PROFESSIONAL ENGINEER UNDER THE LAWS OF THE STATE OF MINNESOTA.

PRINT NAME: Charles Cadenhead

SIGNATURE:

DATE: 03/23/09 LICENSE NO. 49416

DRAWN BY: JF DATE: 2/6/09

DESIGN BY: JF DATE: 2/6/09

CHECKED BY: DATE:



ANOKA COUNTY
HIGHWAY DEPT.

STATE PROJECT NO. _____

STATE AID PROJECT NO. _____

CITY PROJECT NO. _____

COUNTY PROJECT NO. 09-15-73

PLAN

STA 99+20 TO 129+20

Sheet 2 of 8 Sheets

MATCHLINE STA. 129+20

130+00

4' MILL
241ST AVE

PAID AS STREET APPROACH
TIE INTO ST WEST OF M.H.

*24205

135+00

*24237

CR 73

*24239

140+00

4' MILL
243RD AVE

PAID AS STREET APPROACH
TIE INTO ST WEST OF M.H.

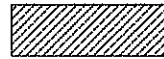
*24315

MATCHLINE STA. 144+50

MILL JOINT

STREET PAVING AREA

MAINLINE OVERLAY



MATCHLINE STA. 144+50

145+00

CR 73

150+00

10' MILL JOINT

END PROJECT
STA. 152+41

245TH AVE



NO	DATE	BY	CHKD	APPR	REVISION

NAME: P:\09-01-00\CR_73\Plan\OVERLAY TEMPLAT PLAN PLAN.dgn 02/06/2009 8:45:08 AM

I HEREBY CERTIFY THAT THIS PLAN WAS PREPARED BY ME OR UNDER MY DIRECT SUPERVISION AND THAT I AM A DULY LICENSED PROFESSIONAL ENGINEER UNDER THE LAWS OF THE STATE OF MINNESOTA.

PRINT NAME: Charles Cadenhead
 SIGNATURE: *Charles Cadenhead*
 DATE: 3/23/09 LICENSE NO. 00416

DRAWN BY: JF DATE: 2/6/09
 DESIGN BY: JF DATE: 2/6/09
 CHECKED BY: DATE:

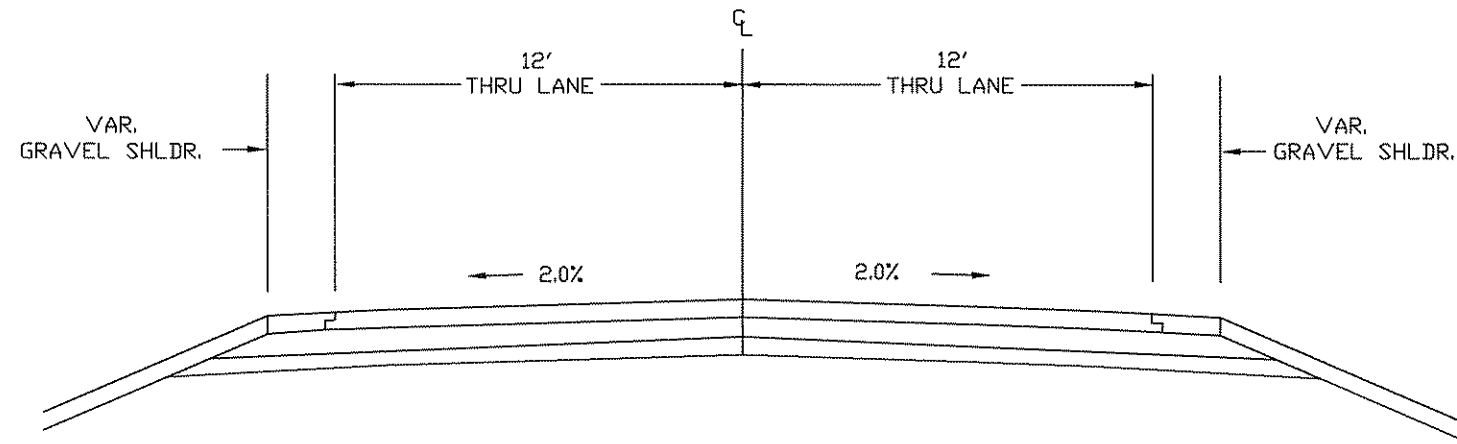


ANOKA COUNTY
HIGHWAY DEPT.

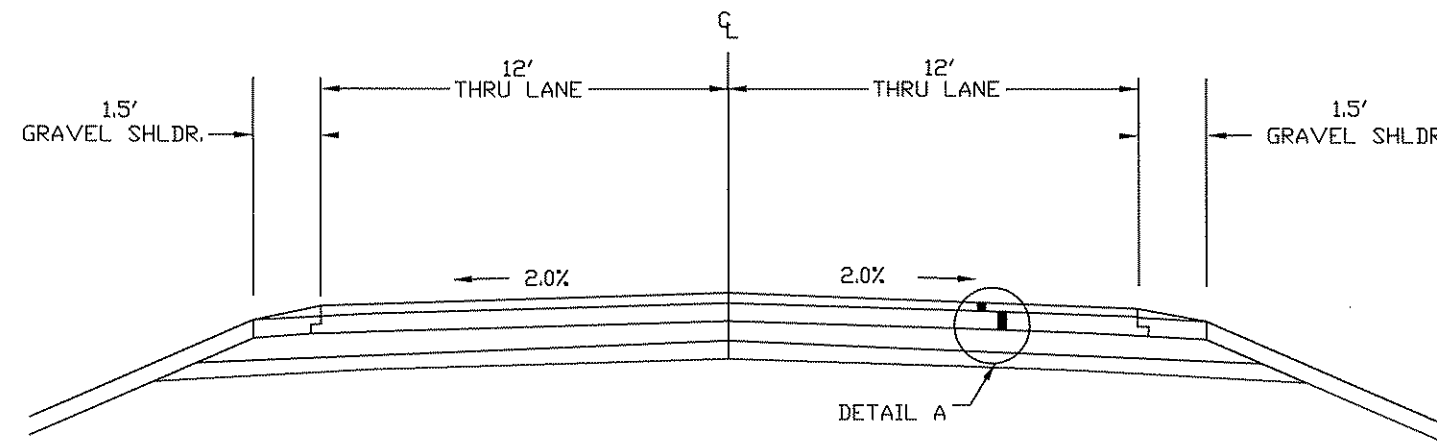
STATE PROJECT NO. _____
 STATE AID PROJECT NO. _____
 CITY PROJECT NO. _____
 COUNTY PROJECT NO. 09-15-73

PLAN
 STA 129+20 TO 152+41
 Sheet 3 of 8 Sheets

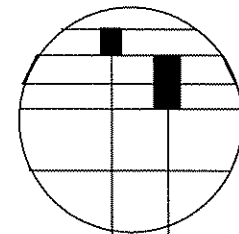
EXISTING STANDARD SECTION



PROPOSED SECTION



DETAIL A



2" TYPE MV3 WEAR (MVWE35035 B)
EXISTING BITUMINDUS

NO	DATE	BY	CHKD	APPR	REVISION

NAME: P:\09-01-00\CR_73\Plan\OVERLAY TEMPLT TYP DETAILS.dgn 02/06/2009 8:45:38 AM

I HEREBY CERTIFY THAT THIS PLAN WAS PREPARED BY ME OR UNDER MY DIRECT SUPERVISION AND THAT I AM A DULY LICENSED PROFESSIONAL ENGINEER UNDER THE LAWS OF THE STATE OF MINNESOTA.

PRINT NAME: Charles Cadenhead
SIGNATURE: *[Signature]*
DATE: 3/23/09 LICENSE NO. 49416

DRAWN BY: JF DATE: 2/6/09
DESIGN BY: JF DATE: 2/6/09
CHECKED BY: _____ DATE: _____



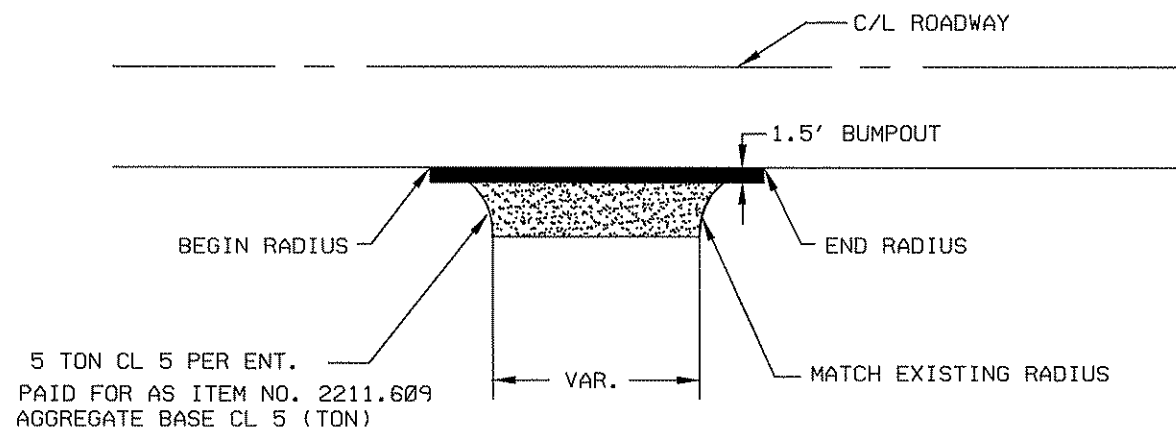
ANOKA COUNTY
HIGHWAY DEPT.

STATE PROJECT NO. _____
STATE AID PROJECT NO. _____
CITY PROJECT NO. _____
COUNTY PROJECT NO. 09-15-73

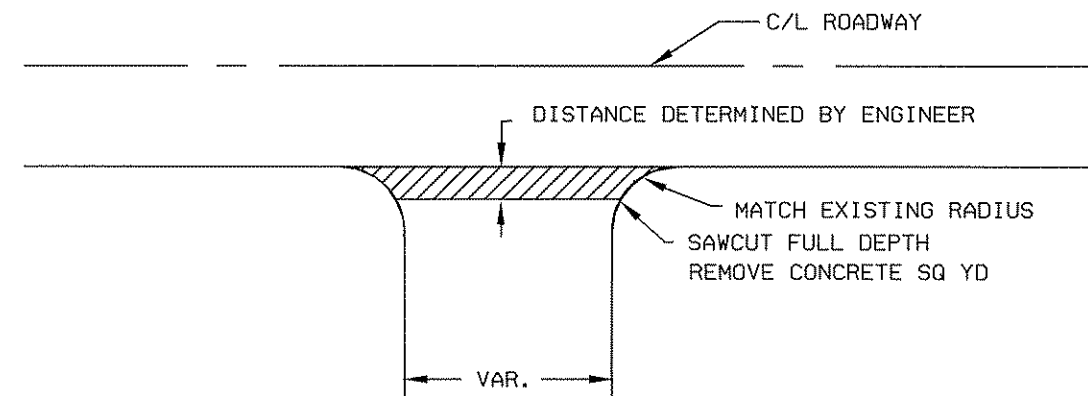
TYPICALS

Sheet 4 of 8 Sheets

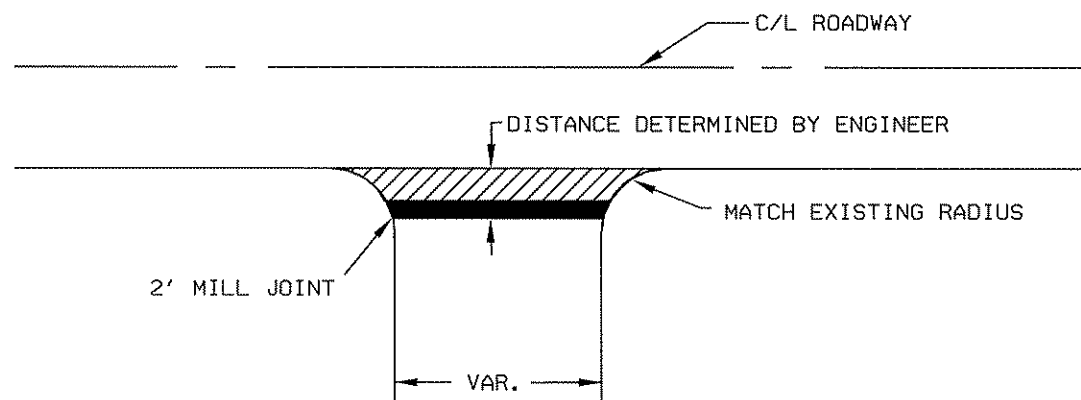
GRAVEL DR. WAYS AND FEILD ENT.



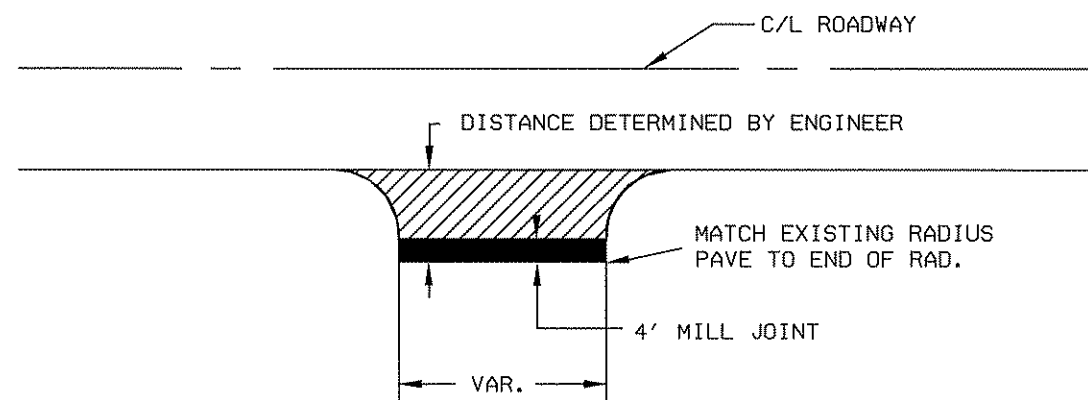
CONCRETE DR. WAYS



PAVED DR. WAYS



PAVED STREET APPROACHES



DRIVEWAYS BUMPED OUT AND PAVED WITH MAINLINE PAID AS MAINLINE.
 DRIVEWAYS PAVED IN DIFFERENT OPERATION FROM MAIN LINE PAVING PAID AS ST./DR. APPROACH.

NO	DATE	BY	CHKD	APPR	REVISION

NAME: P:\09-01-00\CR_73\Plan\OVERLAY TEMPLAT TYP DETAILS.dgn 02/06/2009 8:45:51 AM

I HEREBY CERTIFY THAT THIS PLAN WAS PREPARED BY ME OR UNDER MY DIRECT SUPERVISION AND THAT I AM A DULY LICENSED PROFESSIONAL ENGINEER UNDER THE LAWS OF THE STATE OF MINNESOTA.
 PRINT NAME: Charles Cadenhead
 SIGNATURE: *[Signature]*
 DATE: 3/23/09 LICENSE NO. 40418

DRAWN BY: JF DATE: 2/6/09
 DESIGN BY: JF DATE: 2/6/09
 CHECKED BY: _____ DATE: _____

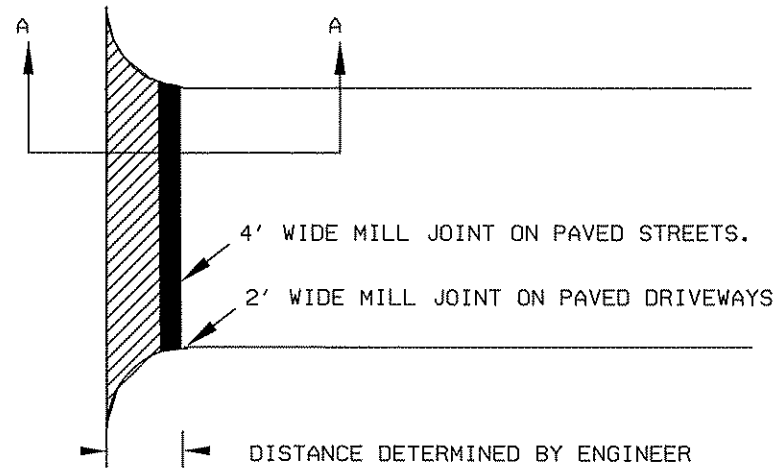


ANOKA COUNTY
 HIGHWAY DEPT.

STATE PROJECT NO. _____
 STATE AID PROJECT NO. _____
 CITY PROJECT NO. _____
 COUNTY PROJECT NO. 09-15-73

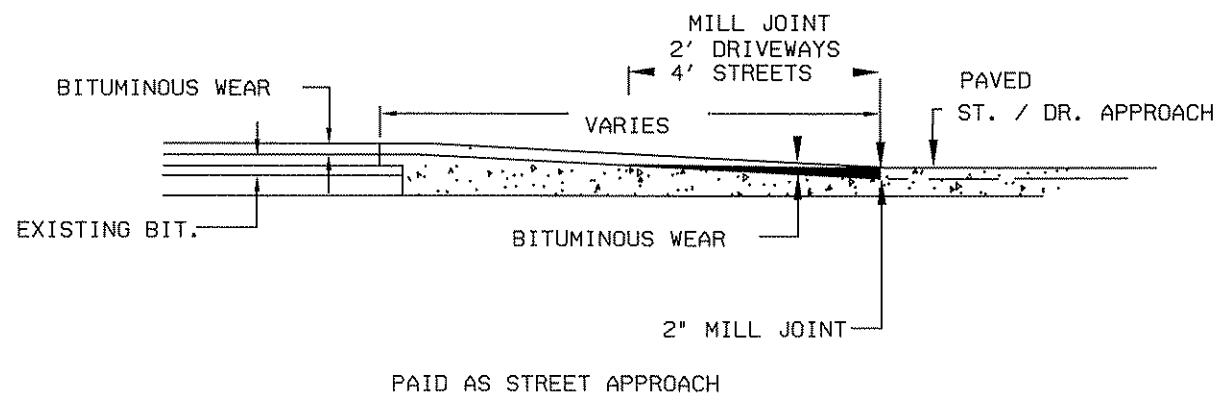
DETAILS
 Sheet 5 of 8 Sheets

PAVED DRIVEWAYS / PAVED STREETS
JOINT DETAILS

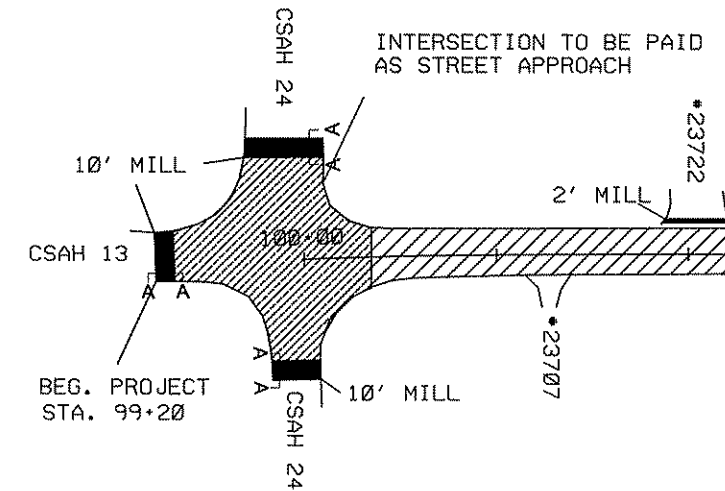


DRIVEWAYS BUMPED OUT AND PAVED WITH MAINLINE, PAID AS MAINLINE.
DRIVEWAYS PAVED IN DIFFERENT OPERATION FROM MAIN LINE PAVING PAID AS ST./DR. APPROACH.
STREETS PAID AS ST./DR. APPROACH.

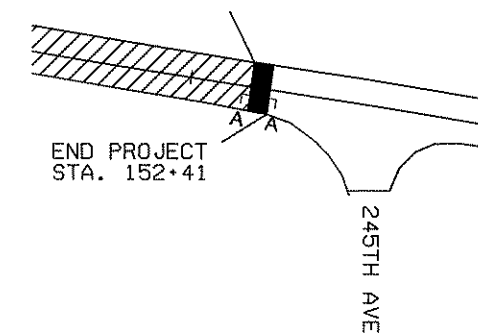
JOINT DETAILS A - A



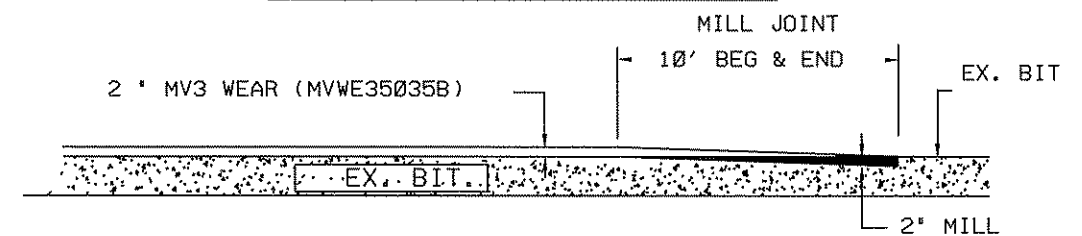
MAINLINE
JOINT DETAILS



10' MILL JOINT



DETAIL A - A

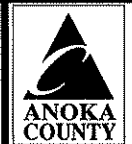


NO	DATE	BY	CHKD	APPR	REVISION

NAME: P:\09-01-00\CR_73\Plan\OVERLAY TEMPLAT TYP DETAILS.dgn 02/06/2009 8:52:10 AM

I HEREBY CERTIFY THAT THIS PLAN WAS PREPARED BY ME OR UNDER MY DIRECT SUPERVISION AND THAT I AM A DULY LICENSED PROFESSIONAL ENGINEER UNDER THE LAWS OF THE STATE OF MINNESOTA.
PRINT NAME: Charles Cadenhead
SIGNATURE: *Charles Cadenhead*
DATE: 3/23/09 LICENSE NO. 40416

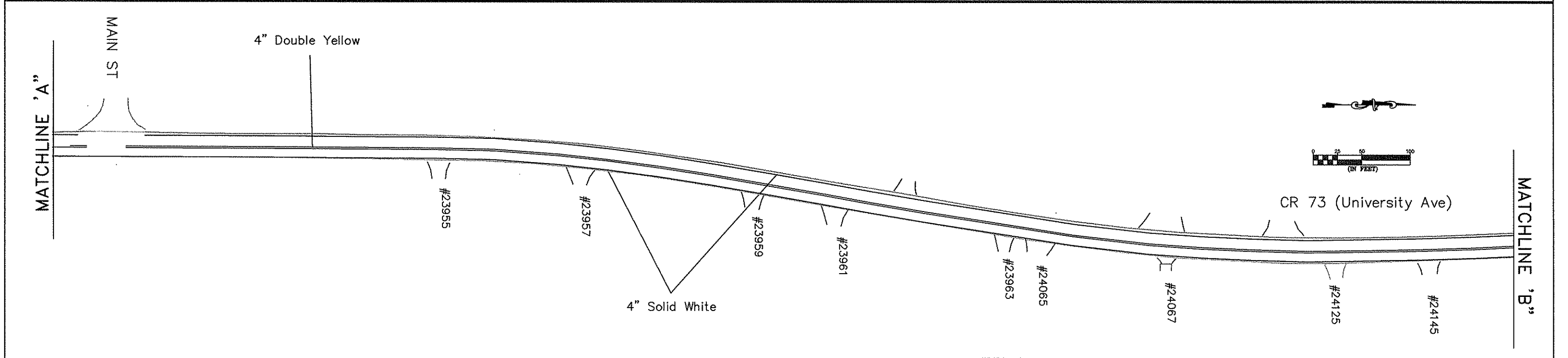
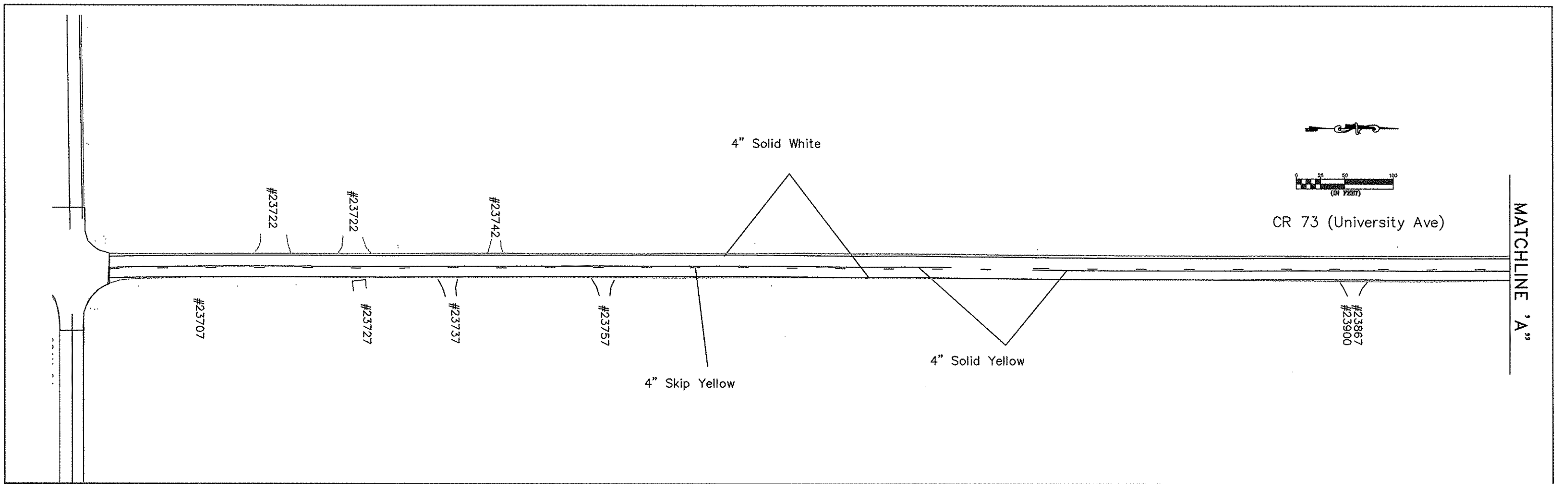
DRAWN BY JF DATE 2/6/09
DESIGN BY JF DATE 2/8/09
CHECKED BY DATE



ANOKA COUNTY
HIGHWAY DEPT.

STATE PROJECT NO. _____
STATE AID PROJECT NO. _____
CITY PROJECT NO. _____
COUNTY PROJECT NO. 09-15-73

DETAILS
Sheet 6 of 8 Sheets



Notes:

1. All Traffic Control Devices shall conform to the Minnesota Manual on Uniform Traffic Control Devices, including "Field Manual for Temporary Traffic Control Zone Layouts - January 2007"
2. All Traffic Control Devices shall have Retroreflective sheeting.
3. Anoka County Traffic Personnel will mark begin and end points for all lane marking.

NO	DATE	BY	CHKD	APPR	REVISION

I HEREBY CERTIFY THAT THIS PLAN WAS PREPARED BY ME OR UNDER MY DIRECT SUPERVISION AND THAT I AM A DULY REGISTERED PROFESSIONAL ENGINEER UNDER THE LAWS OF THE STATE OF MINNESOTA.

PRINT NAME: *Charles Gadenhead*

SIGNATURE: *Charles Gadenhead*

DATE: *3/23/09* REG. NO. *40416*

DRAWN BY: *MIH* DATE: *01/14/09*

DESIGN BY: _____ DATE: _____

CHECKED BY: _____ DATE: _____



ANOKA COUNTY
HIGHWAY DEPT.

STATE PROJECT NO. _____

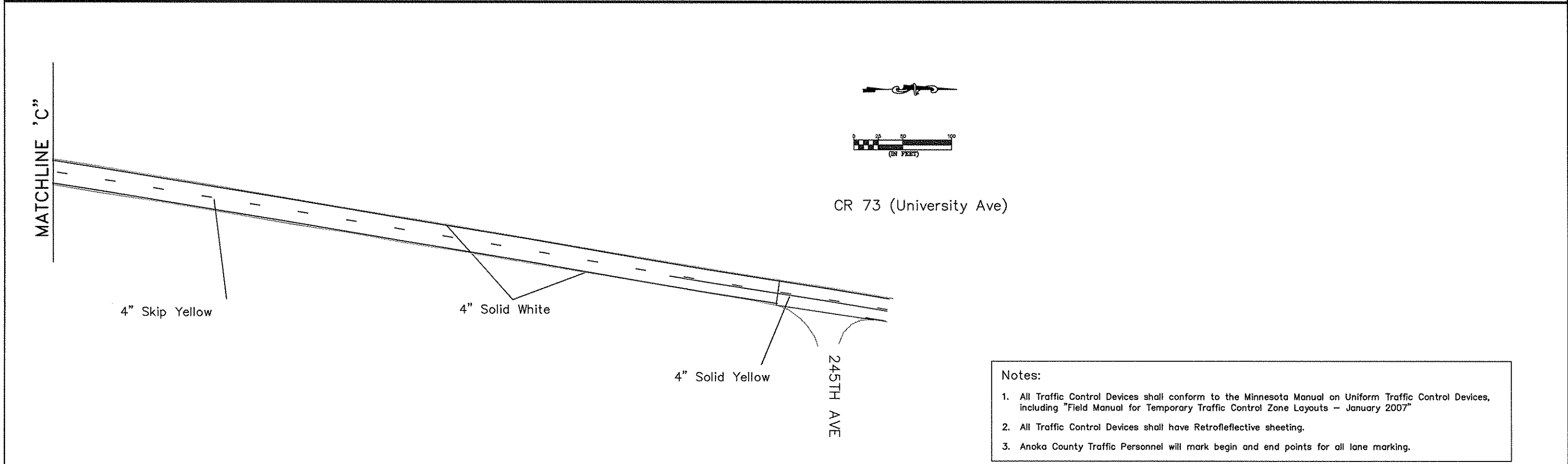
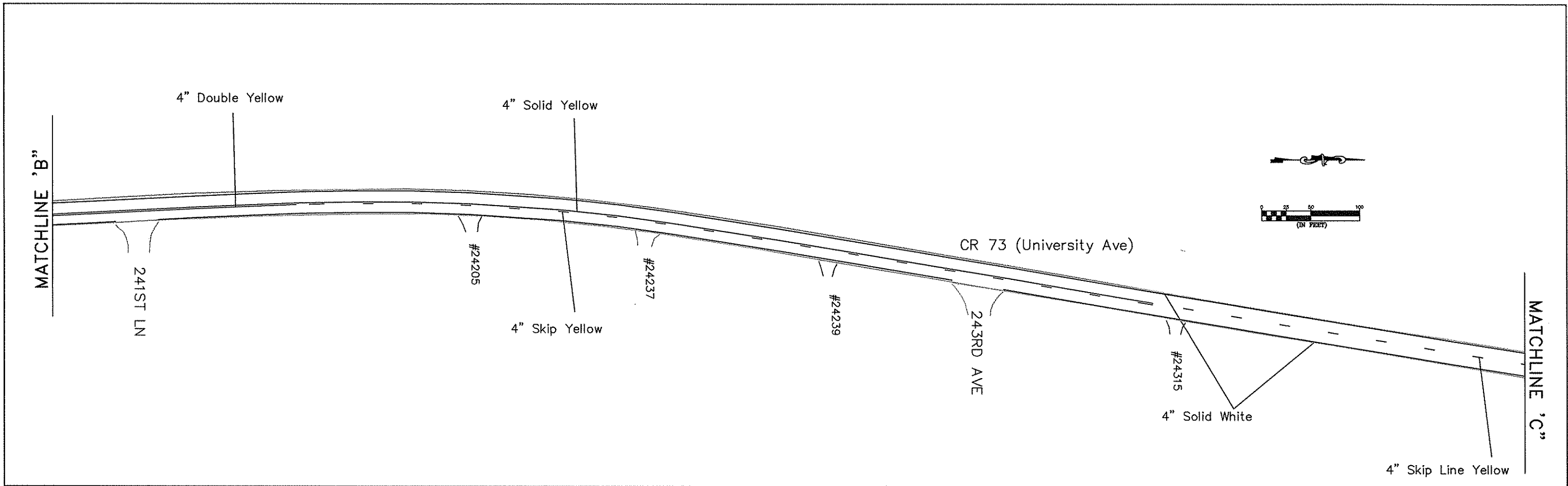
STATE AID PROJECT NO. _____

STATE AID PROJECT NO. _____

COUNTY PROJECT NO. *09-15-73*

CR 73 (University Ave)
from CSAH 24 (237th Ave to
North County Line)

PAGE 7 of 8



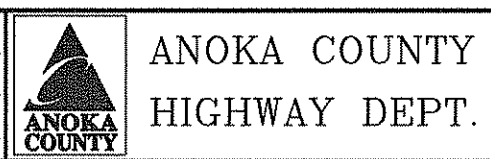
- Notes:
1. All Traffic Control Devices shall conform to the Minnesota Manual on Uniform Traffic Control Devices, including "Field Manual for Temporary Traffic Control Zone Layouts - January 2007"
 2. All Traffic Control Devices shall have Retroreflective sheeting.
 3. Anoka County Traffic Personnel will mark begin and end points for all lane marking.

NO	DATE	BY	CKD	APPR	REVISION

I HEREBY CERTIFY THAT THIS PLAN WAS PREPARED BY ME OR UNDER MY DIRECT SUPERVISION AND THAT I AM A DULY REGISTERED PROFESSIONAL ENGINEER UNDER THE LAWS OF THE STATE OF MINNESOTA.

PRINT NAME: *Charles Copenhagen*
 SIGNATURE: *[Signature]*
 DATE: *3/23/08* REG. NO. *40416*

DRAWN BY: *MTH* DATE: *01/14/08*
 DESIGN BY: _____ DATE: _____
 CHECKED BY: _____ DATE: _____



STATE PROJECT NO. _____
 STATE AID PROJECT NO. _____
 STATE AID PROJECT NO. _____
 COUNTY PROJECT NO. *09-15-73*

CR 73 (University Ave)
 from CSAH 24 (237th Ave to
 North County Line)
 PAGE 8 of 8