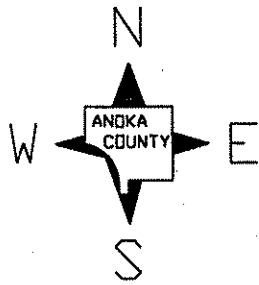


ANOKA COUNTY HIGHWAY DEPARTMENT



CONSTRUCTION PLAN FOR: COLD RECYCLING INPLACE BITUMINOUS & BITUMINOUS SURFACING

COUNTY ROAD NO. C.R. 74

From: C.S.A.H. NO. 13 (CEDAR DR.)

To: T.H. NO. 65

From: _____

To: _____

COUNTY PROJECT NO. 99-15-74

GROSS LENGTH 12640.00 FEET 2.394 MILES

BRIDGES LENGTH 0.00 FEET 0.000 MILES

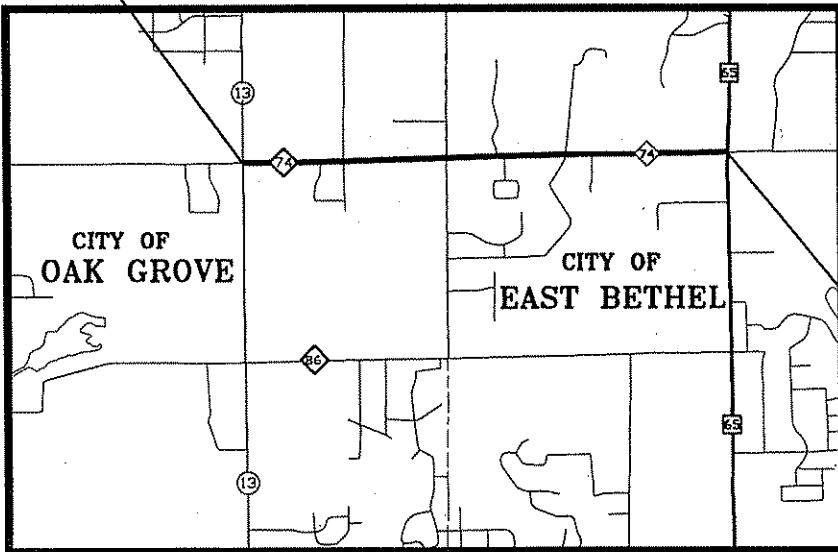
EXCEPTIONS LENGTH 0.00 FEET 0.000 MILES

NET LENGTH 12640.00 FEET 2.394 MILES

BEGIN C.P. 99-15-74

ADT (1997) = 1990

N/A TON DESIGN



END C.P. 99-15-74

GOVERNING SPECIFICATIONS

THE 1995 EDITION OF THE MINNESOTA DEPARTMENT OF TRANSPORTATION "STANDARD SPECIFICATIONS FOR CONSTRUCTION" AND ALL SUPPLEMENTS THERETO.

ALL TRAFFIC CONTROL DEVICES SHALL CONFORM TO THE MMUTCD, INCLUDING "FIELD MANUAL FOR TEMPORARY TRAFFIC CONTROL ZONE LAYOUTS" DATED JANUARY 1998.

ALL APPLICABLE FEDERAL, STATE AND LOCAL LAWS AND ORDINANCES WILL BE COMPLIED WITH IN THE CONSTRUCTION OF THIS PROJECT.

I HEREBY CERTIFY THAT THIS PLAN WAS PREPARED BY ME OR UNDER MY DIRECT SUPERVISION AND THAT I AM A DULY REGISTERED PROFESSIONAL ENGINEER UNDER THE LAWS OF THE STATE OF MINN.

Robert
ASSISTANT COUNTY ENGINEER

REG. NO. 25066 DATE: 6/30/99

APPROVED: 7/6/99

[Signature]
ANOKA COUNTY ENGINEER

STATEMENT OF ESTIMATED QUANTITIES

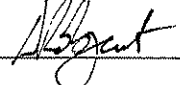
ITEM NO	ITEM	UNIT	EST. QUANT.
2021. 501	MOBILIZATION	L S	1
2104. 503	REMOVE CONCRETE PAVEMENT	SQ YD	15
2104. 511	SAW CONCRETE PAVEMENT	LIN FT	9
2120. 501	EARTH SHOULDERING	CU YD	736
① 2123. 503	MOTOR GRADER	HOUR	50
② 2130. 501	WATER	M-GAL	50
③ 2211. 501	AGGREGATE BASE CLASS 5	TON	452
④ 2232. 501	MILL BITUMINOUS SURFACE	SQ YD	95
2331. 604	COLD RECYCLE INPLACE BITUMINOUS MIXTURE	SQ YD	35439
2350. 604	TYPE MV 4 WEAR COURSE MIX 1 1/2" THICK	SQ YD	438
2350. 604	TYPE MV 4 WEAR COURSE MIX 2" THICK	SQ YD	898
2350. 609	TYPE MV 4 WEARING COURSE MIXTURE	TON	3450
2350. 609	TYPE LV 3 NON WEARING COURSE MIXTURE	TON	4430
2357. 502	BITUMINOUS MATERIAL FOR TACK COAT	GALLON	2146
2540. 602	INSTALL MAIL BOX SUPPORT	EACH	40
2575. 501	SEEDING	ACRE	2. 8
2575. 502	SEED MIXTURE 80A	POUND	125
2575. 512	MULCH MATERIAL TYPE 2	GALLON	674
2575. 532	COMMERCIAL FERTILIZER ANALYSIS 10-10-10	POUND	1393
2580. 501	TEMPORARY LANE MARKING	LIN FT	1924

- ① FOR TOPSOIL STRIPPING & SUBGRADE PREPARATION.
- ② FOR DUST CONTROL AS DIRECTED BY THE ENGINEER.
- ③ INCLUDES 252 TONS FOR RESTORATION OF AGG. ENTRANCES AND 200 TONS FOR GRADE CORRECTION AT R/R X-ING AND AS DIRECTED BY THE ENGINEER.
- ④ FOR BUTT JOINT MILLING.

BASIS OF PLANNED QUANTITIES

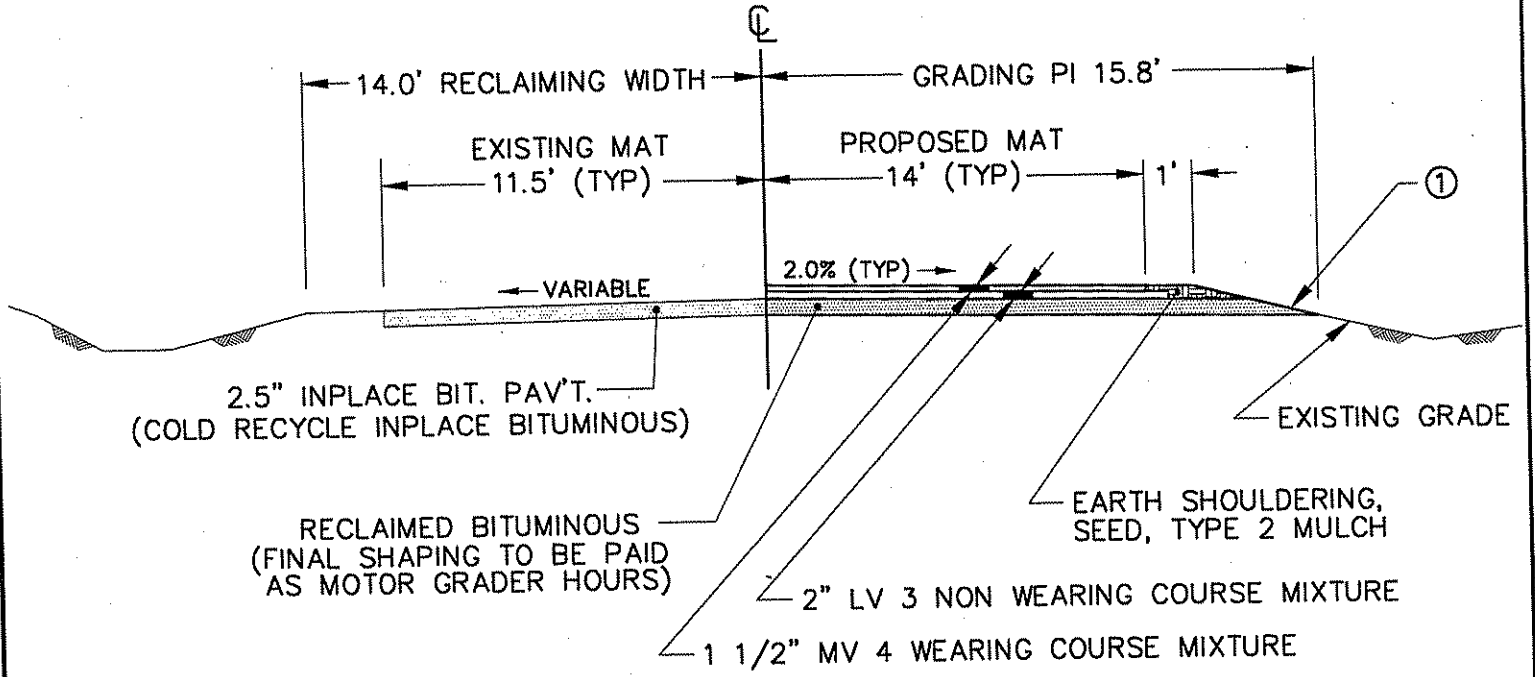
- 2120 EARTH SHOULDERING: 317 CU.YDS/MILE
- 2350 TYPE MV 4 WEARING COURSE MIX: 110 LBS./SQ.YD. PER 1" THICKNESS
- 2350 TYPE MV 4 WEARING COURSE MIX (89+68-102+17): 120 LBS./SQ.YD. PER 1"
- 2350 TYPE LV 3 NON WEARING COURSE MIX: 120 LBS./SQ.YD. PER 1" THICKNESS.
- 2357 BITUMINOUS MATERIAL FOR TACK COAT: 0.05 GAL./SQ.YD. PER LIFT APPLIED.
- 2575 SEEDING: BASED ON HORIZONTAL MEASUREMENT +10%.
- 2575 SEED MIXTURE 80A: 45 LBS./ACRE.
- 2575 MULCH MATERIAL TYPE 2: 0.18 GAL./SQ.YD.
- 2575 COMMERCIAL FERTILIZER ANAL. 10-10-10 (OR EQUIVALENT): 500 LBS./ACRE.

MN/DOT STANDARD PLATES	
THESE STANDARD PLATES AS APPROVED BY THE FHWA SHALL APPLY.	
PLATE NO.	DESCRIPTION
M0004 A	SPECIFICATION REFERENCE TO STANDARD PLATES
M8000 I	STANDARD BARRICADES

CERTIFIED BY  REG. NO. 25066 DATE 6/30/99
 COUNTY PROJECT 99-15-74 SHEET 2 OF 7 SHEETS

TYPICAL SECTIONS

STA. 0+00 - STA. 89+68
 STA. 102+17 - STA. 126+40



① STRIPPING OF INPLACE TOPSOIL PRIOR TO WIDENING IF REQUIRED AND AS DIRECTED BY THE ENGINEER, TO BE PAID AS MOTOR GRADER HOURS.

NOTE: SHOULDER WIDENING, INSLOPE GRADING AND TURF ESTABLISHMENT TO BE COMPLETED BY ANOKA COUNTY MAINTENANCE FORCES PRIOR TO THE CONTRACTOR BEGINNING ANY CONTRACT WORK.

DESIGN DESIGNATIONS:

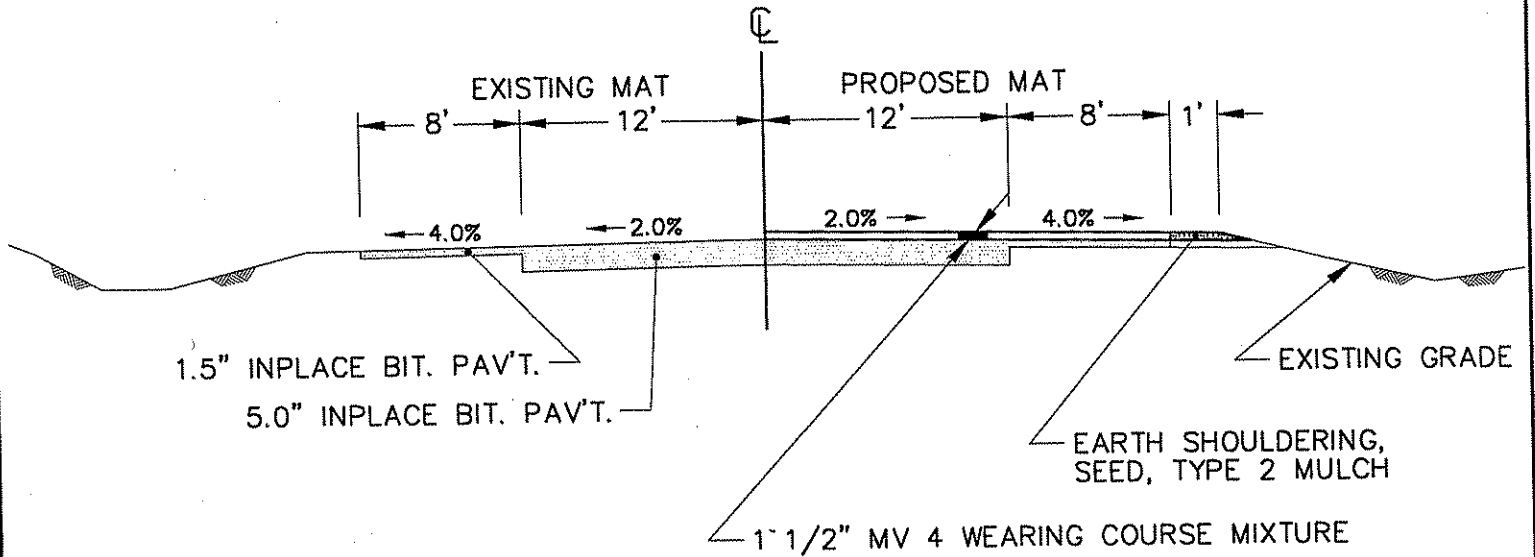
TYPE MV 4 WEARING COURSE MIXTURE: MVWE45035B
 TYPE LV 3 NON WEARING COURSE MIXTURE: LVNW35030B

(NOT TO SCALE)

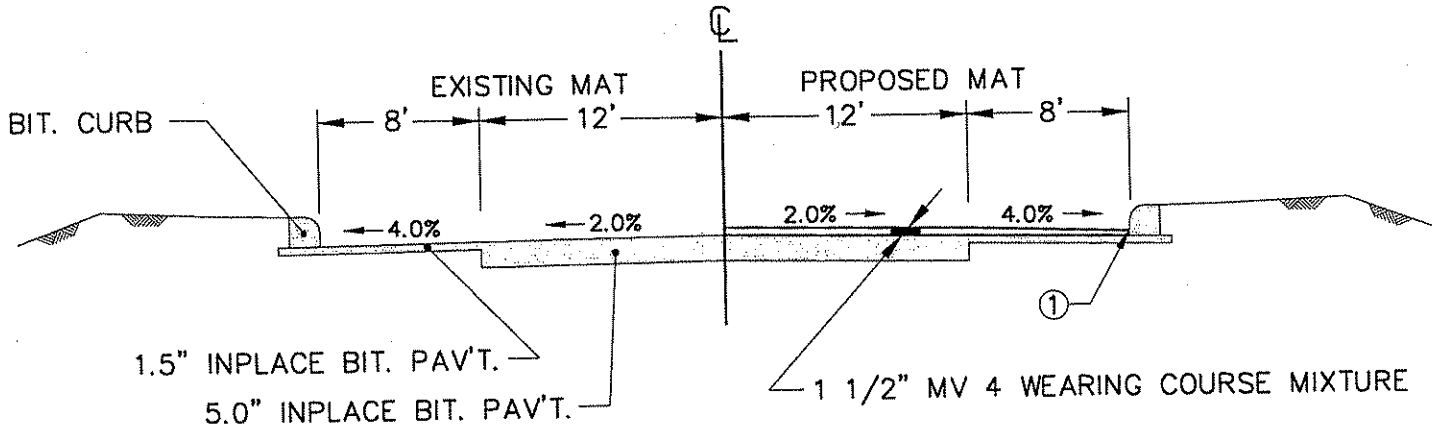
CERTIFIED BY Robert REG. NO. 25086 DATE 6/30/99
 COUNTY PROJECT 99-15-74 SHEET 3 OF 7 SHEETS

TYPICAL SECTIONS

STA. 89+68 - STA. 98+00
 STA. 101+85 - STA. 102+17



STA. 98+00 - STA. 101+85



① REDUCE OVERLAY THICKNESS TO 1.0" AT GUTTER LINE.

DESIGN DESIGNATIONS:

TYPE MV 4 WEARING COURSE MIXTURE: MVWE45035B

(NOT TO SCALE)

CERTIFIED BY *[Signature]*

REG. NO. 25066

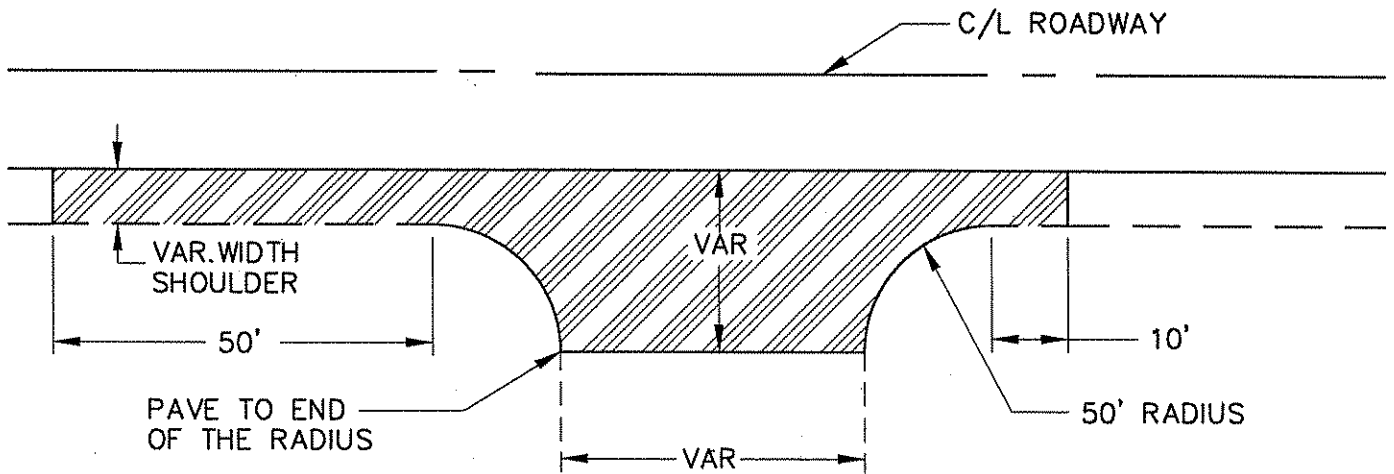
DATE 6/30/99

COUNTY PROJECT 99-15-74

SHEET 4 OF 7 SHEETS

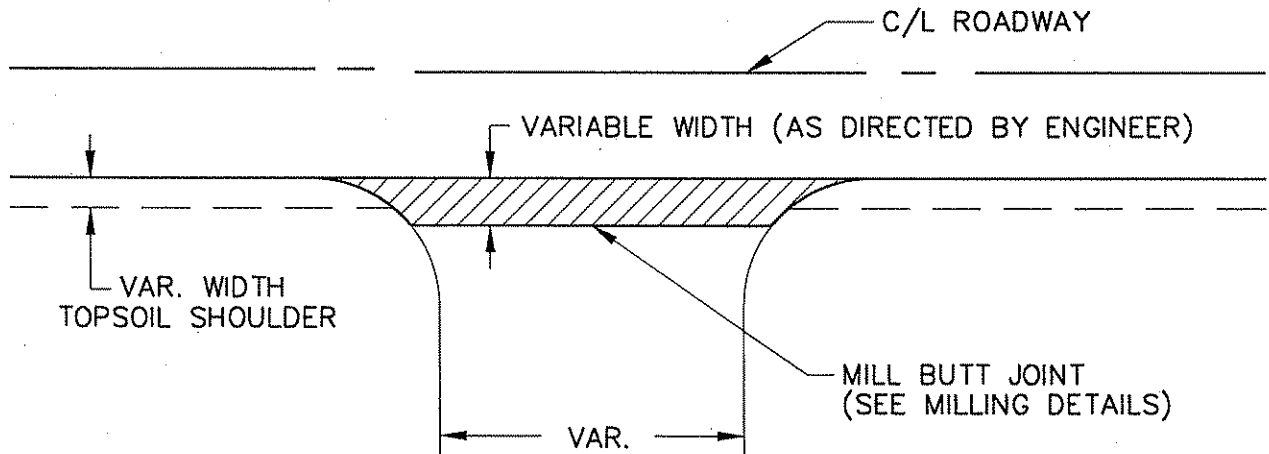
TYPICAL STREET APPROACHES

UNPAVED STREET APPROACHES



NOTE: PAID FOR AS ITEM NO. 2350.604
(TYPE MV 4 WEAR COURSE 2" THICK)

PAVED STREET APPROACHES



NOTE: KICKOUT PAID FOR AS ITEM NO. 2350.609 (TYPE MV 4 WEARING COURSE MIXTURE)/ OR
KICKOUT PAID FOR AS ITEM NO. 2350.604 (TYPE MV 4 WEAR COURSE 1 1/2" THICK)

(NOT TO SCALE)

CERTIFIED BY

Mojca

REG. NO. 25066

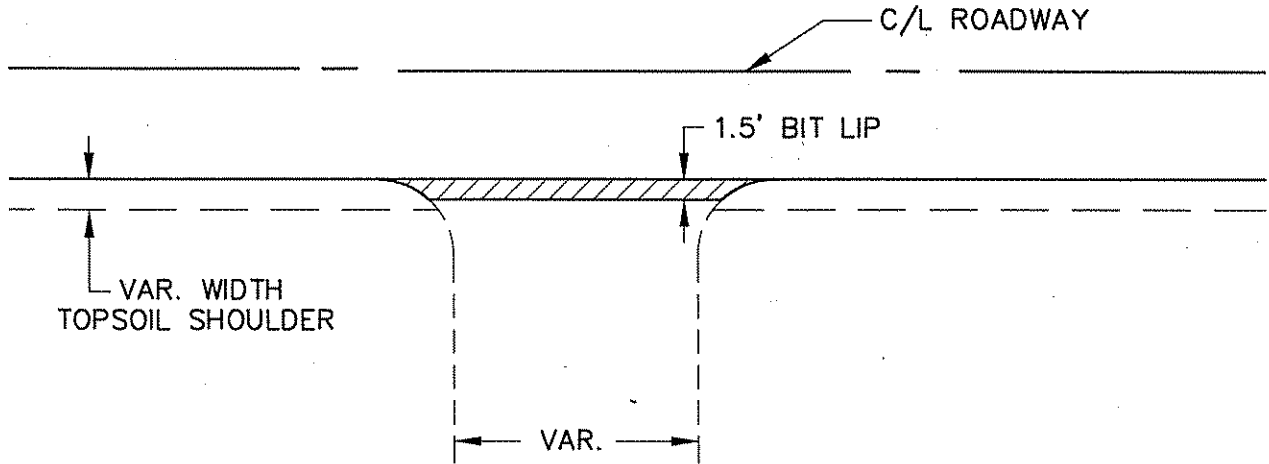
DATE 6/30/99

COUNTY PROJECT 99-15-74

SHEET 5 OF 7 SHEETS

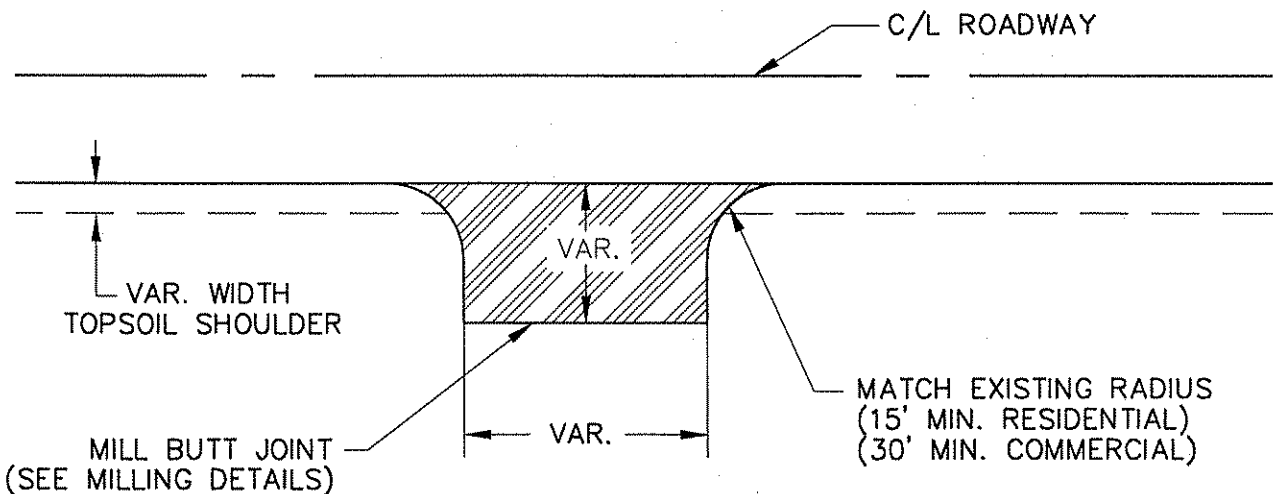
TYPICAL ENTRANCES

UNPAVED DRIVEWAY AND FIELD ENTRANCES



NOTE: KICKOUT PAID FOR AS ITEM NO. 2350.609
(TYPE MV 4 WEARING COURSE MIXTURE)

PAVED ENTRANCES



NOTE: PAID FOR AS ITEM NO. 2350.604
(TYPE MV 4 WEAR COURSE 1 1/2" THICK)

(NOT TO SCALE)

CERTIFIED BY

Robert

REG. NO.

25066

DATE

6/30/99

COUNTY PROJECT

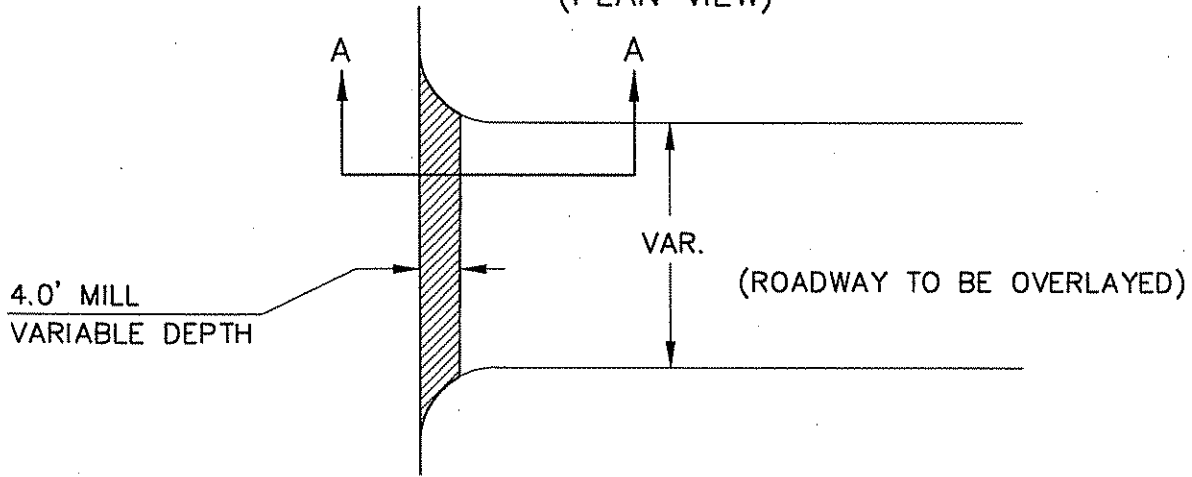
99-15-74

SHEET 6 OF 7 SHEETS

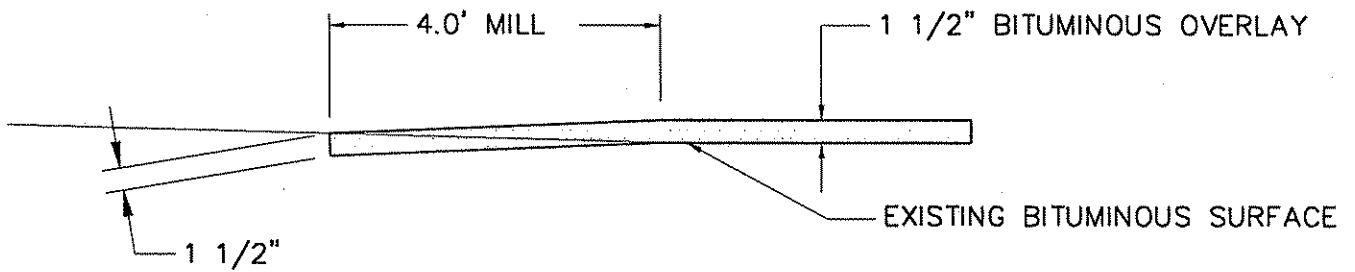
MILLING DETAILS

BUTT JOINTS

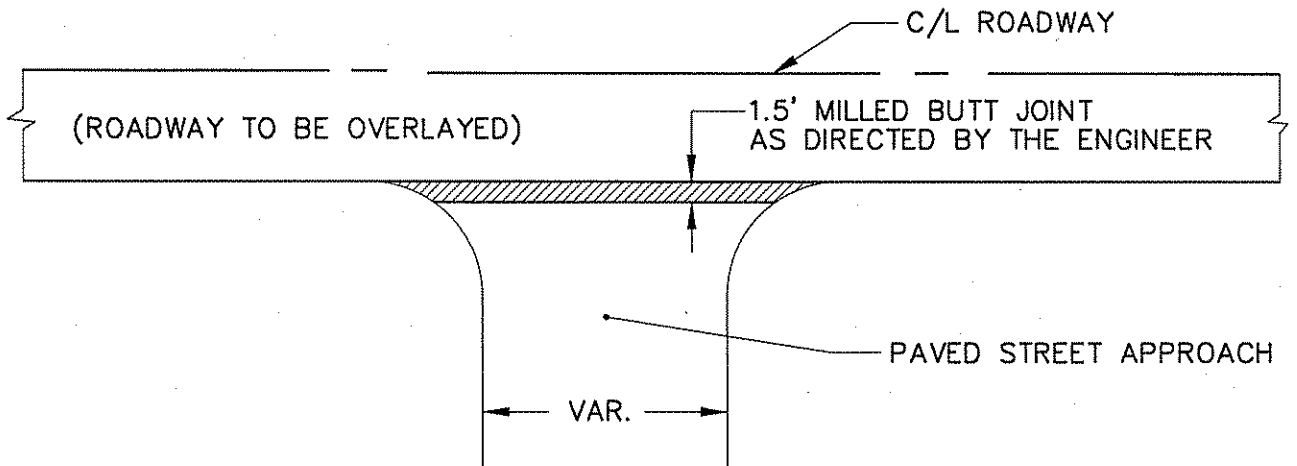
(PLAN VIEW)



(SECTION A-A)



PAVED STREET APPR. & ENTRANCES



(NOT TO SCALE)

CERTIFIED BY

REG. NO.

25006

DATE

6/30/09

COUNTY PROJECT

99-15-74

SHEET 7 OF 7 SHEETS