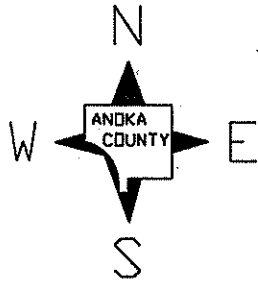


ANDKA COUNTY HIGHWAY DEPARTMENT



CONSTRUCTION PLAN FOR: COLD RECYCLING INPLACE BITUMINOUS & BITUMINOUS SURFACING

COUNTY ROAD NO. C.R. 75

From: C.S.A.H. NO. 22 (VIKING BLVD.)

To: C.R. 77 (RYAN LAKE DR.)

From: _____

To: _____

COUNTY PROJECT NO. 99-12-75

GROSS LENGTH 15,438.00 FEET 2.924 MILES

BRIDGES LENGTH 0.00 FEET 0.000 MILES

EXCEPTIONS LENGTH 0.00 FEET 0.000 MILES

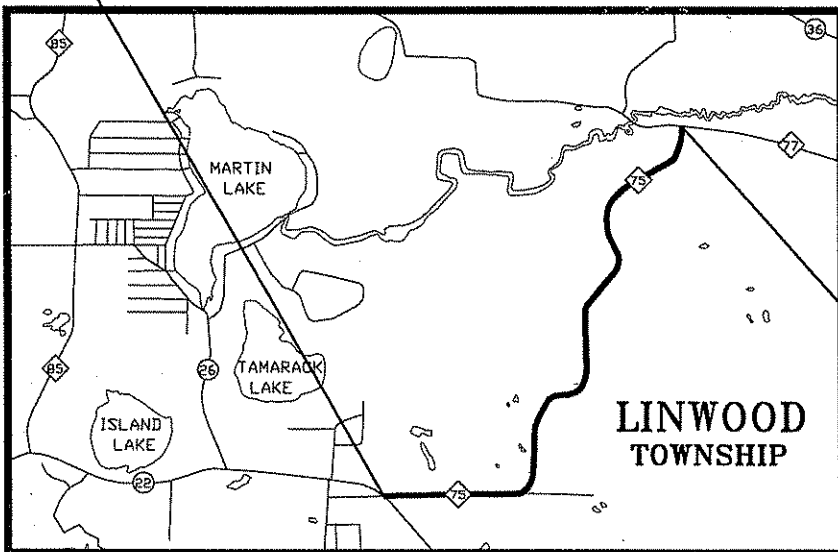
NET LENGTH 15,438.00 FEET 2.924 MILES

ADT (1997) = 430

7 TON DESIGN

BEGIN C.P. 99-12-75

END C.P. 99-12-75



GOVERNING SPECIFICATIONS

THE 1995 EDITION OF THE MINNESOTA DEPARTMENT OF TRANSPORTATION "STANDARD SPECIFICATIONS FOR CONSTRUCTION" AND ALL SUPPLEMENTS THERETO.

ALL TRAFFIC CONTROL DEVICES SHALL CONFORM TO THE MMUTCD, INCLUDING "FIELD MANUAL FOR TEMPORARY TRAFFIC CONTROL ZONE LAYOUTS" DATED JANUARY 1998.

ALL APPLICABLE FEDERAL, STATE AND LOCAL LAWS AND ORDINANCES WILL BE COMPLIED WITH IN THE CONSTRUCTION OF THIS PROJECT.

I HEREBY CERTIFY THAT THIS PLAN WAS PREPARED BY ME OR UNDER MY DIRECT SUPERVISION AND THAT I AM A DULY REGISTERED PROFESSIONAL ENGINEER UNDER THE LAWS OF THE STATE OF MINN.

[Signature]
ASSISTANT COUNTY ENGINEER

REG. NO. 25066 DATE: 6/30/99

APPROVED: 7/6/99

[Signature]
ANOKA COUNTY ENGINEER

STATEMENT OF ESTIMATED QUANTITIES

ITEM NO	ITEM	UNIT	EST. QUANT.
2013. 601	CELLULAR MOBILE TELEPHONE	L S	1
2021. 501	MOBILIZATION	L S	1
2104. 503	REMOVE CONCRETE PAVEMENT	SQ YD	46
2104. 511	SAW CONCRETE PAVEMENT	LIN FT	26
2120. 501	EARTH SHOULDERING	CU YD	929
① 2123. 503	MOTOR GRADER	HOUR	60
② 2130. 501	WATER	M-GAL	60
③ 2211. 501	AGGREGATE BASE CLASS 5	TON	336
④ 2232. 501	MILL BITUMINOUS SURFACE	SQ YD	19
2331. 604	COLD RECYCLE INPLACE BITUMINOUS MIXTURE	SQ YD	48030
2350. 604	TYPE MV 4 WEAR COURSE MIX 1 1/2" THICK	SQ YD	142
2350. 604	TYPE MV 4 WEAR COURSE MIX 2" THICK	SQ YD	110
2350. 609	TYPE MV 4 WEARING COURSE MIXTURE	TON	3984
2350. 609	TYPE LV 3 NON WEARING COURSE MIXTURE	TON	6000
2357. 502	BITUMINOUS MATERIAL FOR TACK COAT	GALLON	2507
2540. 602	INSTALL MAIL BOX SUPPORT	EACH	37
2575. 501	SEEDING	ACRE	3.5
2575. 502	SEED MIXTURE 80A	POUND	158
2575. 512	MULCH MATERIAL TYPE 2	GALLON	849
2575. 532	COMMERCIAL FERTILIZER ANALYSIS 10-10-10	POUND	1754
2580. 501	TEMPORARY LANE MARKING	LIN FT	2470

- ① FOR TOPSOIL STRIPPING & SUBGRADE PREPARATION.
- ② FOR DUST CONTROL AS DIRECTED BY THE ENGINEER.
- ③ FOR RESTORATION OF AGGREGATE ENTRANCES.
- ④ FOR BUTT JOINT MILLING.

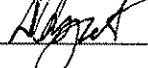
BASIS OF PLANNED QUANTITIES

2120 EARTH SHOULDERING: 317 CU.YDS/MILE
 2350 TYPE MV 4 WEARING COURSE MIX: 110 LBS./SQ.YD. PER 1" THICKNESS
 2350 TYPE LV 3 NON WEARING COURSE MIX: 120 LBS./SQ.YD. PER 1" THICKNESS.
 2357 BITUMINOUS MATERIAL FOR TACK COAT: 0.05 GAL./SQ.YD. PER LIFT APPLIED.
 2575 SEEDING: BASED ON HORIZONTAL MEASUREMENT +10%.
 2575 SEED MIXTURE 80A: 45 LBS./ACRE.
 2575 MULCH MATERIAL TYPE 2: 0.18 GAL./SQ.YD.
 2575 COMMERCIAL FERTILIZER ANAL. 10-10-10 (OR EQUIVALENT): 500 LBS./ACRE.

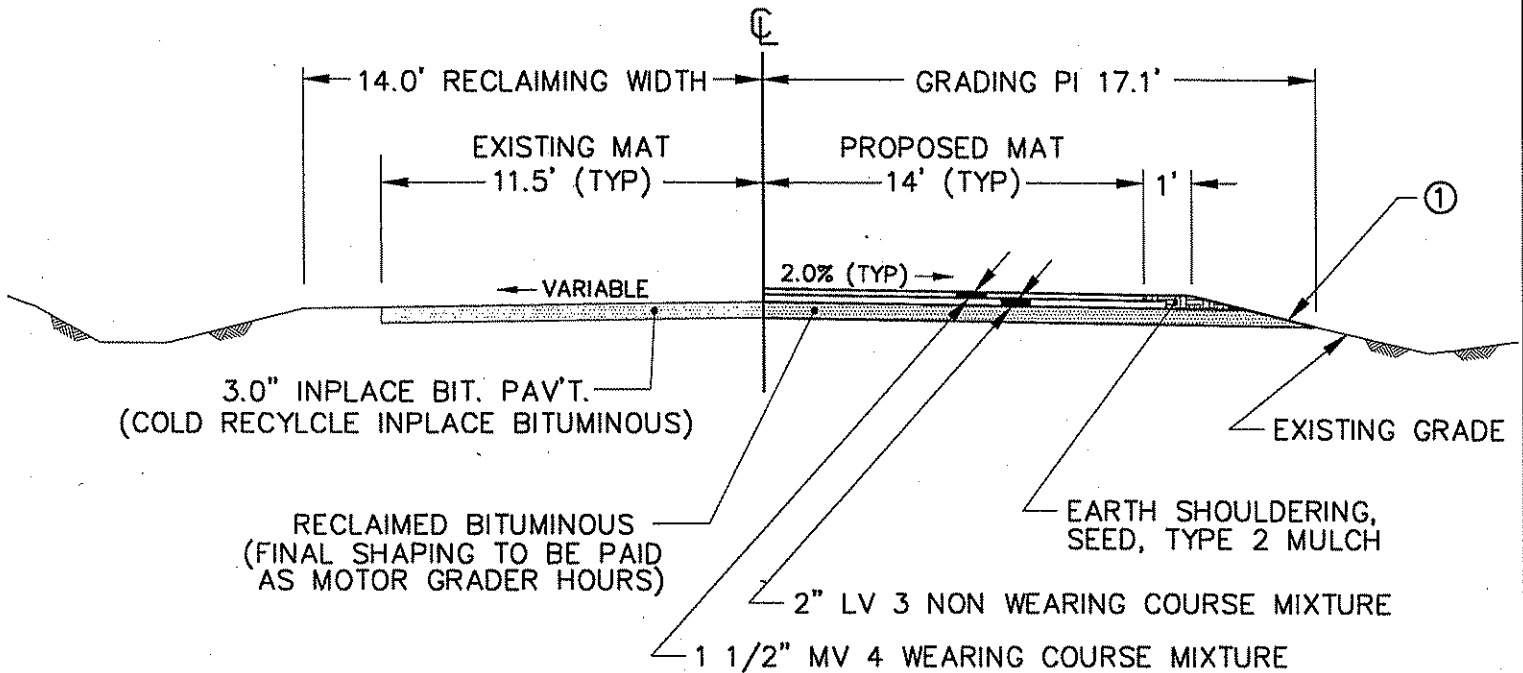
MN/DOT STANDARD PLATES

THESE STANDARD PLATES AS APPROVED BY THE FHWA SHALL APPLY.

PLATE NO.	DESCRIPTION
M0004 A	SPECIFICATION REFERENCE TO STANDARD PLATES
M8000 I	STANDARD BARRICADES

CERTIFIED BY  REG. NO. 25066 DATE 6/30/99
 COUNTY PROJECT 99-12-75 SHEET 2 OF 6 SHEETS

TYPICAL SECTIONS



① STRIPPING OF INPLACE TOPSOIL PRIOR TO WIDENING IF REQUIRED AND AS DIRECTED BY THE ENGINEER, TO BE PAID AS MOTOR GRADER HOURS.

NOTE: SHOULDER WIDENING, INSLOPE GRADING AND TURF ESTABLISHMENT TO BE COMPLETED BY ANOKA COUNTY MAINTENANCE FORCES PRIOR TO THE CONTRACTOR BEGINNING ANY CONTRACT WORK.

DESIGN DESIGNATIONS:

TYPE MV 4 WEARING COURSE MIXTURE: MVWE45035B
 TYPE LV 3 NON WEARING COURSE MIXTURE: LVNW35030B

(NOT TO SCALE)

CERTIFIED BY

REG. NO.

25066

DATE

6/20/99

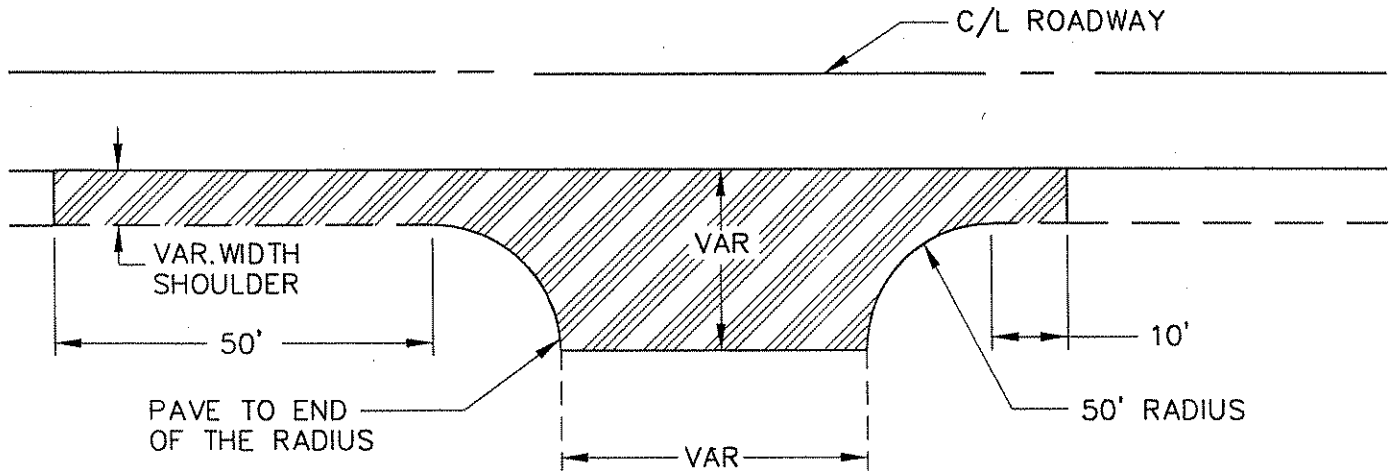
COUNTY PROJECT

99-12-75

SHEET 3 OF 6 SHEETS

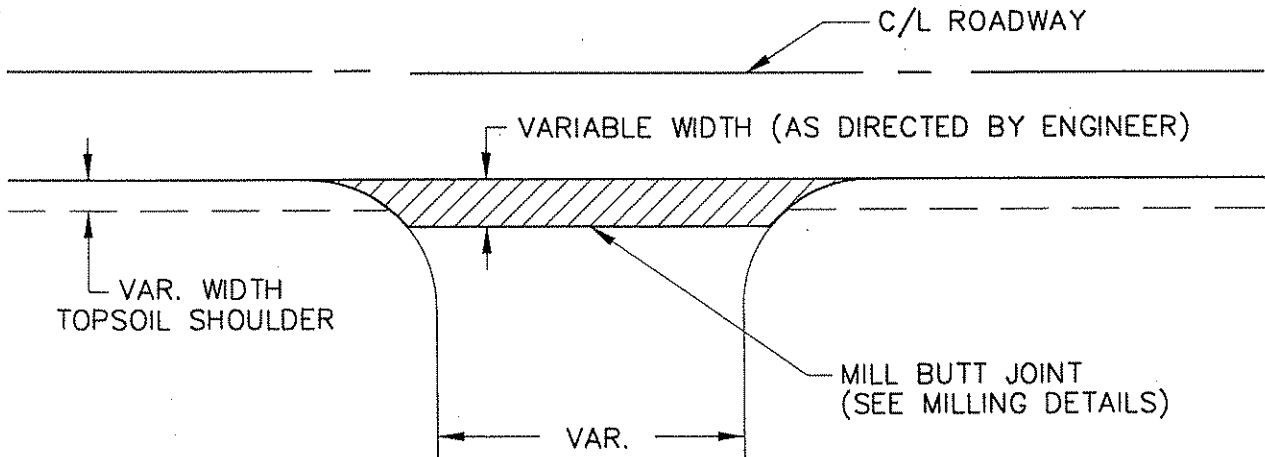
TYPICAL STREET APPROACHES

UNPAVED STREET APPROACHES



NOTE: PAID FOR AS ITEM NO. 2350.604
(TYPE MV 4 WEAR COURSE 2" THICK)

PAVED STREET APPROACHES



NOTE: KICKOUT PAID FOR AS ITEM NO. 2350.609 (TYPE MV 4 WEARING COURSE MIXTURE) / OR
KICKOUT PAID FOR AS ITEM NO. 2350.604 (TYPE MV 4 WEAR COURSE 1 1/2" THICK)

(NOT TO SCALE)

CERTIFIED BY

REG. NO.

25886

DATE

6/30/99

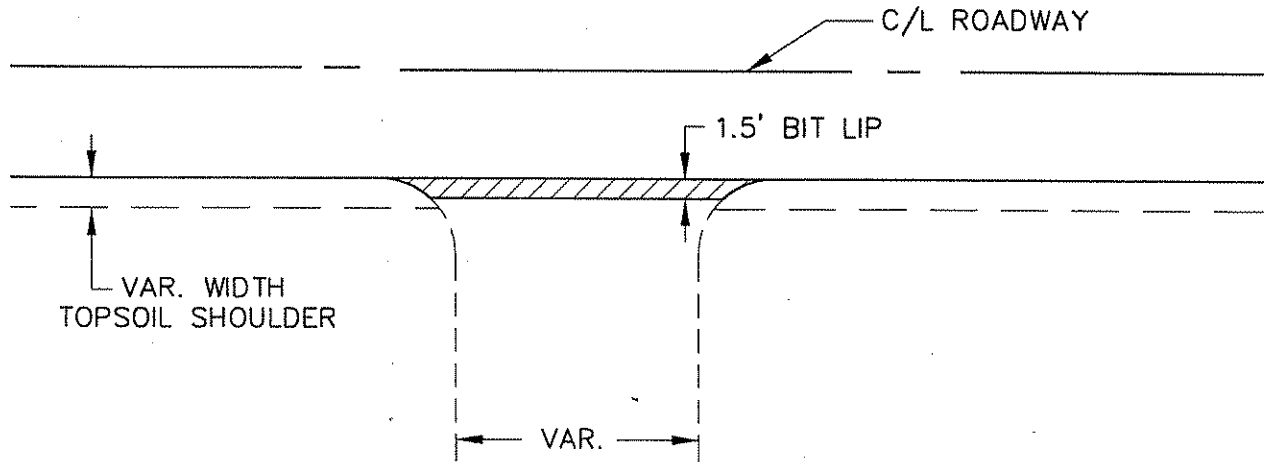
COUNTY PROJECT

99-12-75

SHEET 4 OF 6 SHEETS

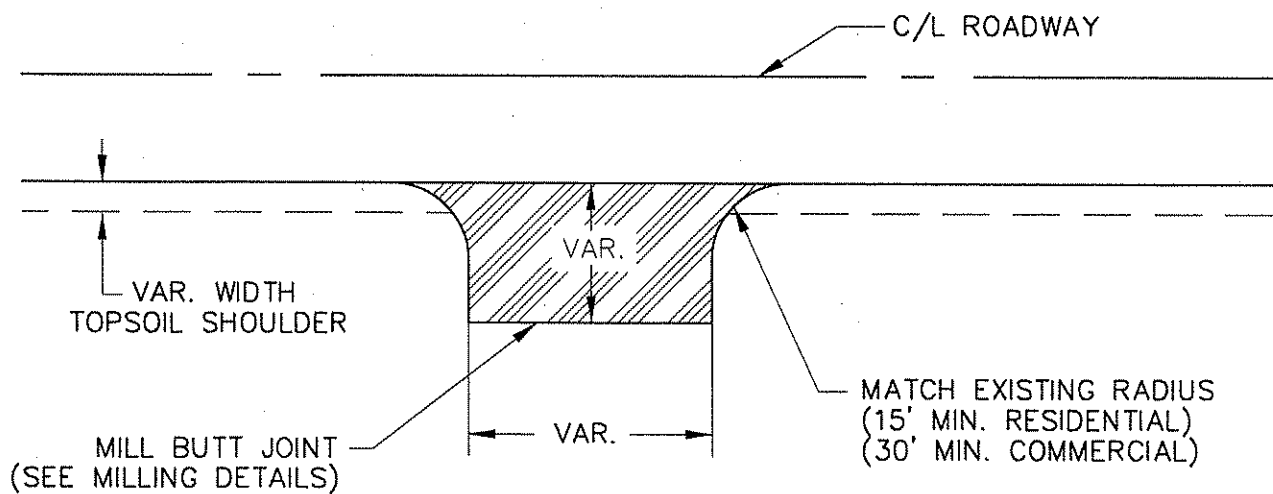
TYPICAL ENTRANCES

UNPAVED DRIVEWAY AND FIELD ENTRANCES



NOTE: KICKOUT PAID FOR AS ITEM NO. 2350.609
(TYPE MV 4 WEARING COURSE MIXTURE)

PAVED ENTRANCES



NOTE: PAID FOR AS ITEM NO. 2350.604
(TYPE MV 4 WEAR COURSE 1 1/2" THICK)

(NOT TO SCALE)

CERTIFIED BY

REG. NO.

25066

DATE

6/30/99

COUNTY PROJECT

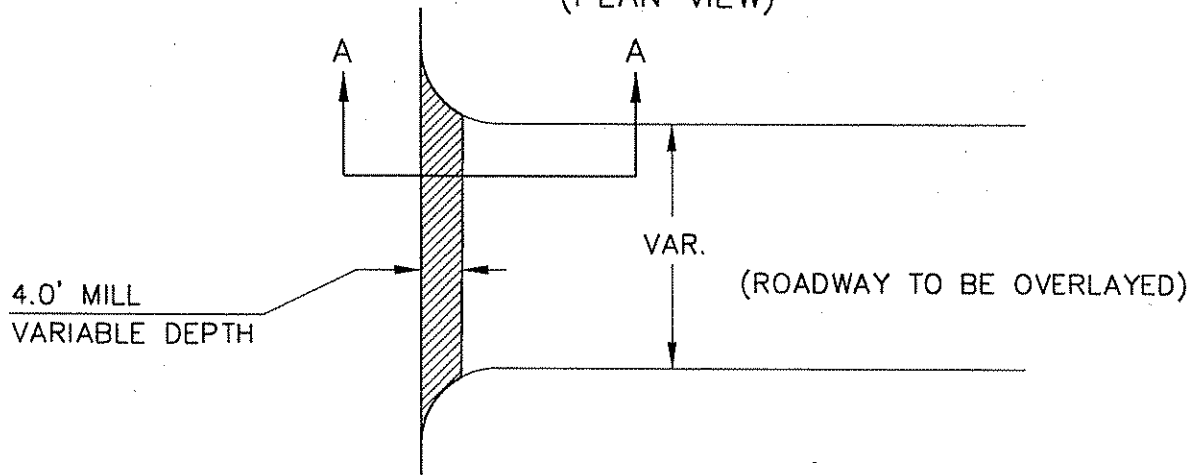
99-12-75

SHEET 5 OF 6 SHEETS

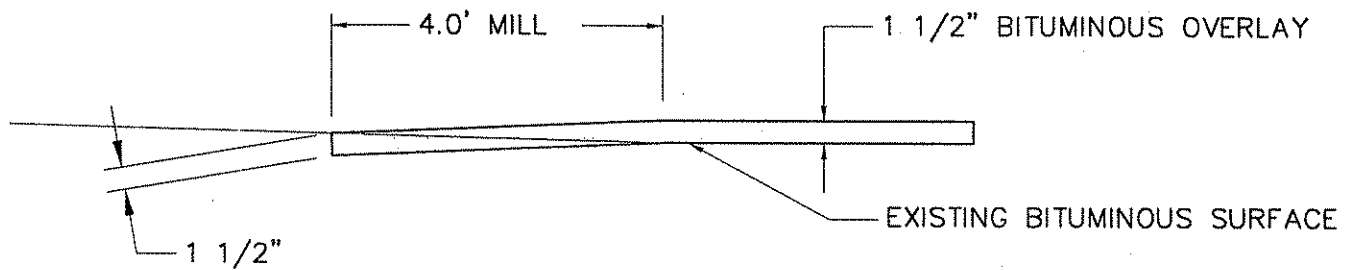
MILLING DETAILS

BUTT JOINTS

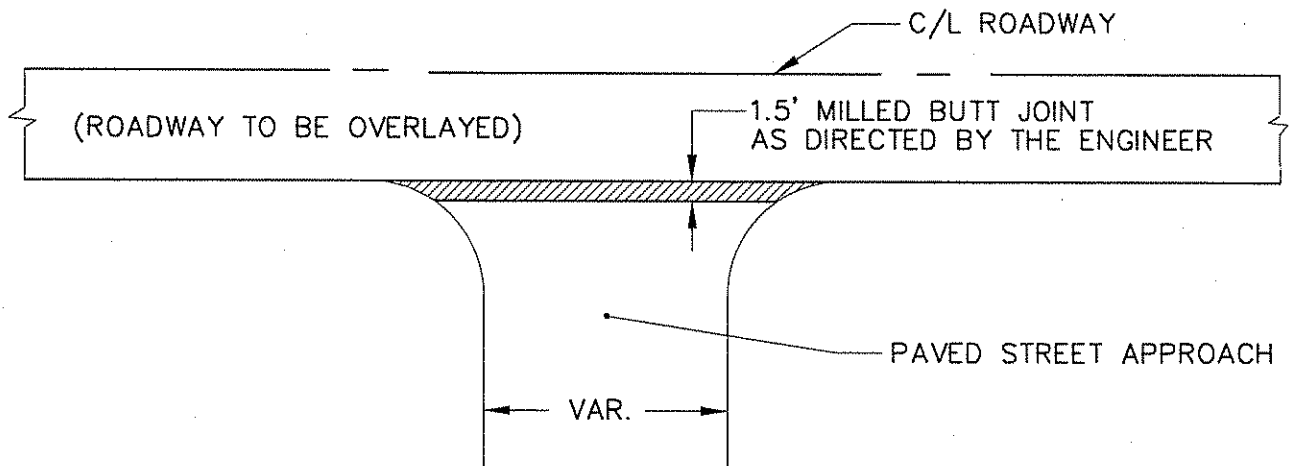
(PLAN VIEW)



(SECTION A-A)



PAVED STREET APPR. & ENTRANCES



(NOT TO SCALE)

CERTIFIED BY

REG. NO.

28066

DATE

6/30/99

COUNTY PROJECT

99-12-75

SHEET 6 OF 6 SHEETS