

ANOKA COUNTY HIGHWAY DEPARTMENT

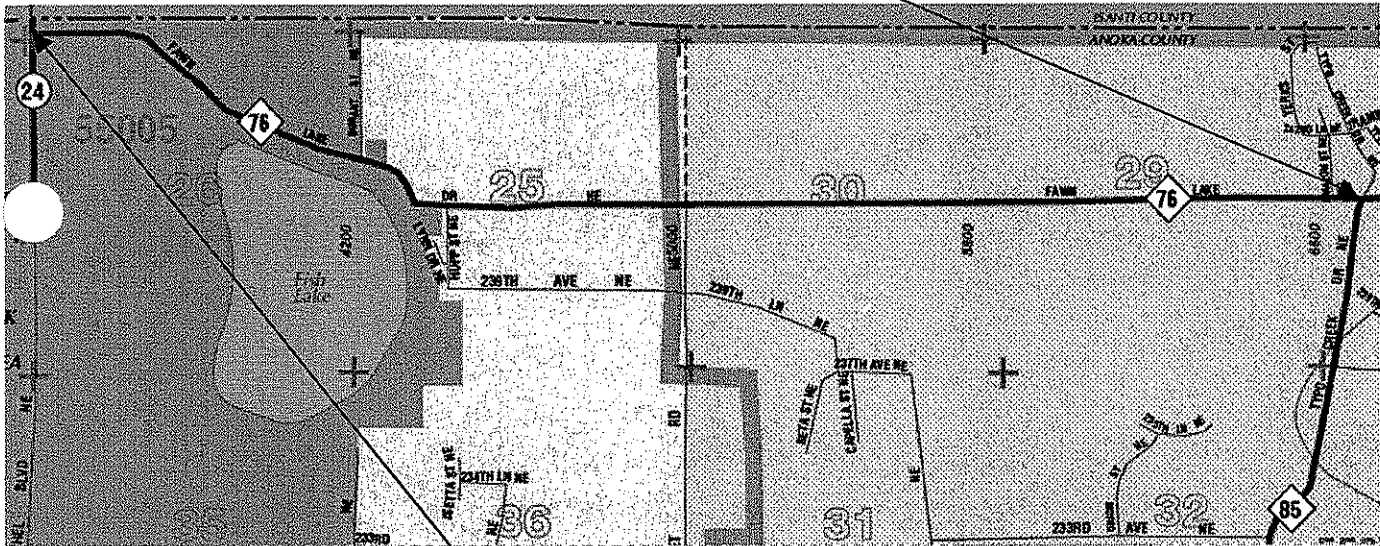
CONSTRUCTION PLAN FOR:

BIT. OVERLAY

CO. RD. NO: 76
FROM CR 24
TO CR 85
FROM
TO

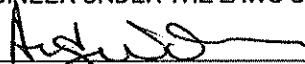
COUNTY PROJECT NO: 07-19-76
GROSS LENGTH 22565 FT 4.3 MI
BRIDGES LENGTH 0 FT 0.00 MI
EXCEPTION LENGTH 0 FT 0.00 MI
NET LENGTH 22565 FT 4.3 MI

END PROJECT C.P. 07-19-76 STATION 235+65



BEGIN PROJECT C.P. 07-19-76 STATION 10+00

I HEREBY CERTIFY THAT THIS PLAN WAS PREPARED BY ME OR UNDER MY DIRECT SUPERVISION AND THAT I AM A DULY LICENSED PROFESSIONAL ENGINEER UNDER THE LAWS OF THE STATE OF MINNESOTA

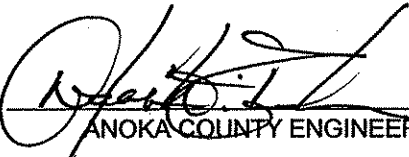

ANDREW J. WITTER, P.E.

LIC. NO. 42757 DATE 5/11/07

GOVERNING SPECIFICATIONS:

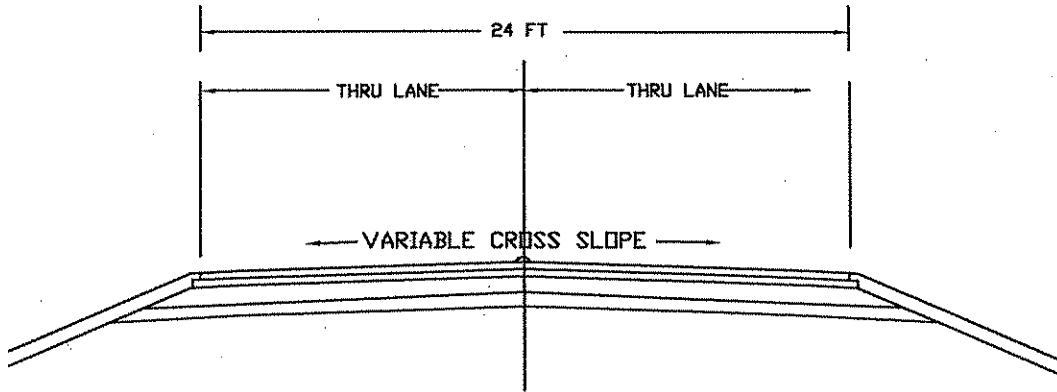
THE 2005 EDITION OF THE MINNESOTA DEPARTMENT OF TRANSPORTATION "STANDARD SPECIFICATIONS FOR CONSTRUCTION" SHALL GOVERN. ALL TRAFFIC CONTROL DEVICES SHALL CONFORM TO THE MMUTCD, INCLUDING "FIELD MANUAL FOR TEMPORARY TRAFFIC CONTROL ZONE LAYOUTS - JANUARY 2007."

APPROVED 5/15, 2007

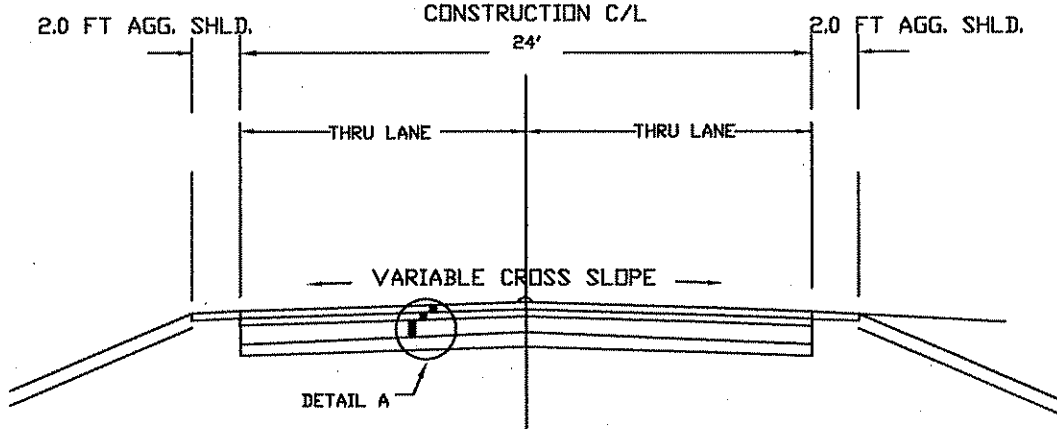

ANOKA COUNTY ENGINEER

TYPICAL SECTIONS

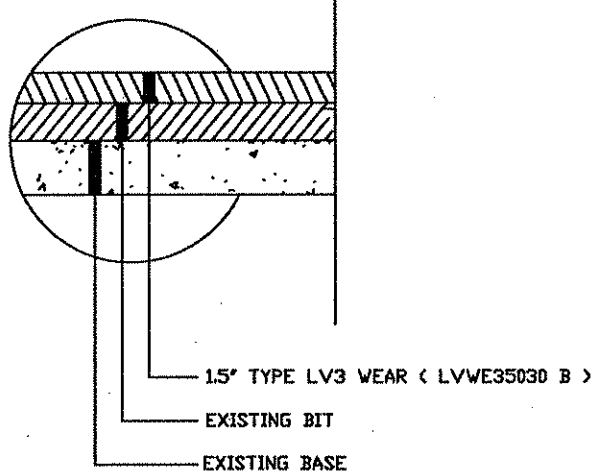
EXISTING SECTION TYPICAL CONSTRUCTION C/L



STANDARD SECTION PROPOSED CONSTRUCTION C/L



DETAIL A-PROPOSED MAINLINE



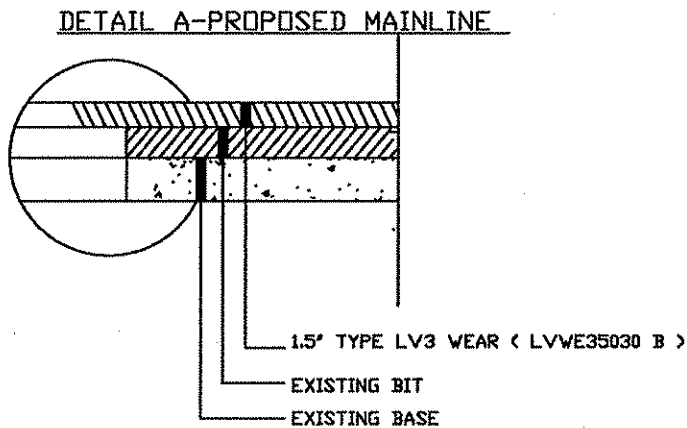
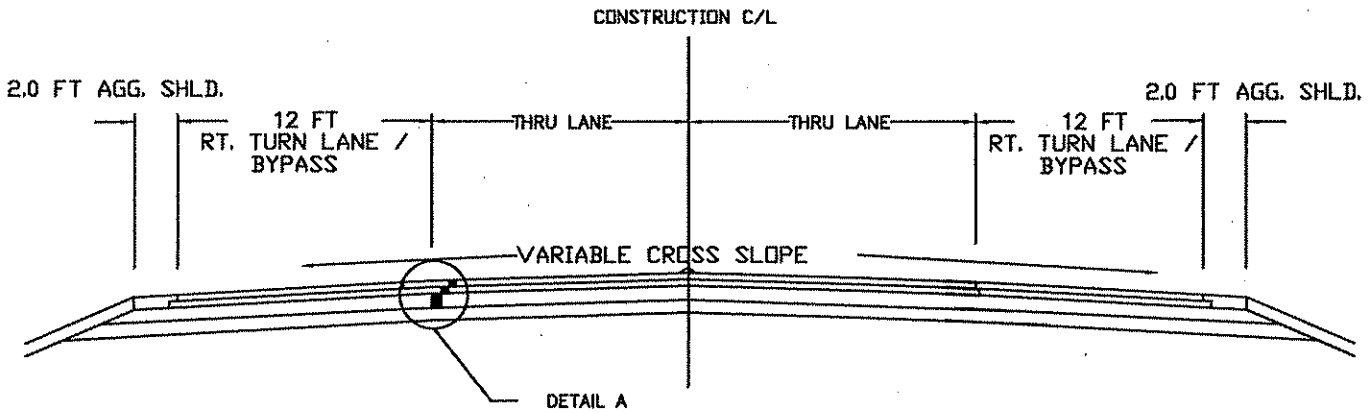
NOTE: NOT TO SCALE

CERTIFIED BY 
ANDREW J. WITTER, P.E.
C.P. 07-19-76

LIC. NO. 42757 DATE 8/10/07
SHEET NO. 3 OF 6 SHEETS

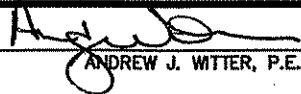
TYPICAL SECTIONS

RT. TURN LN. / BYPASS SECTION



NOTE: NOT TO SCALE

CERTIFIED BY


ANDREW J. WITTER, P.E.

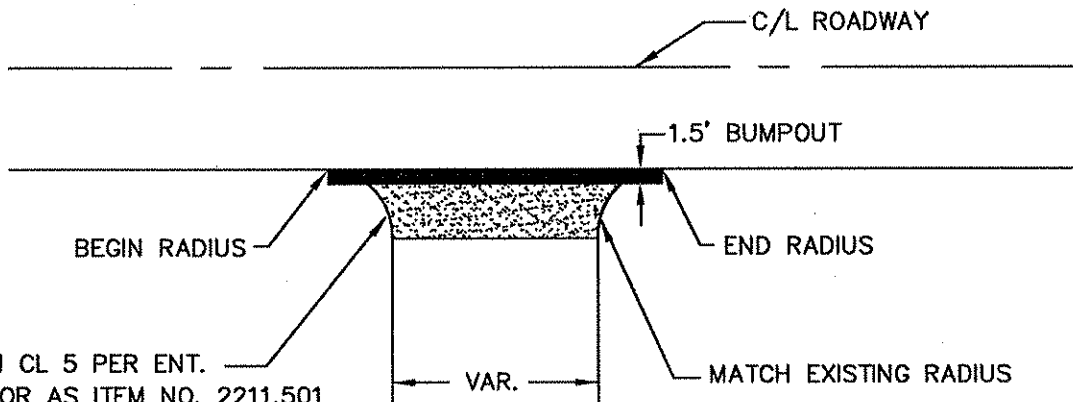
C.P. 07-19-76

LIC. NO. 42757 DATE 8/11/07

SHEET NO. 4 OF 6 SHEETS

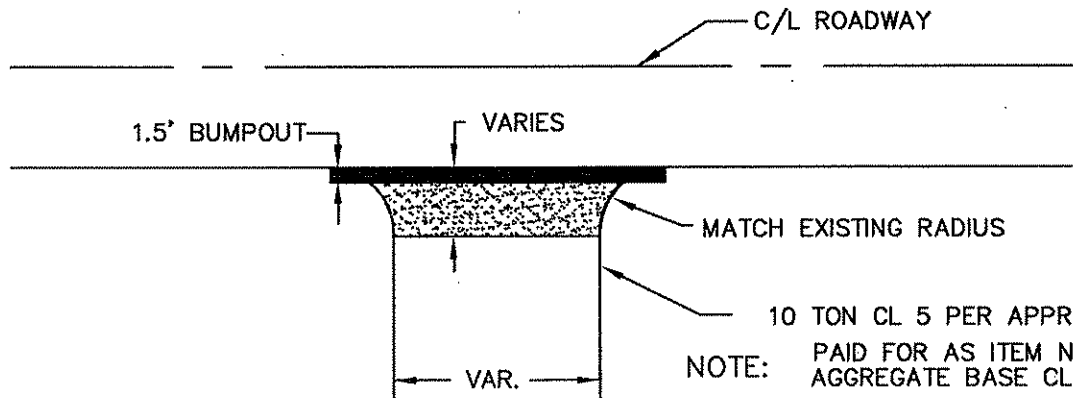
TYPICAL SECTIONS

FIELD AND UNPAVED ENTRANCES



5 TON CL 5 PER ENT.
NOTE: PAID FOR AS ITEM NO. 2211.501
AGGREGATE BASE CL 5 (TON)

UNPAVED STREET APPROACHES



10 TON CL 5 PER APPROACH
NOTE: PAID FOR AS ITEM NO. 2211.501
AGGREGATE BASE CL 5 (TON)

NOTE: NOT TO SCALE

CERTIFIED BY


ANDREW J. WITTER, P.E.

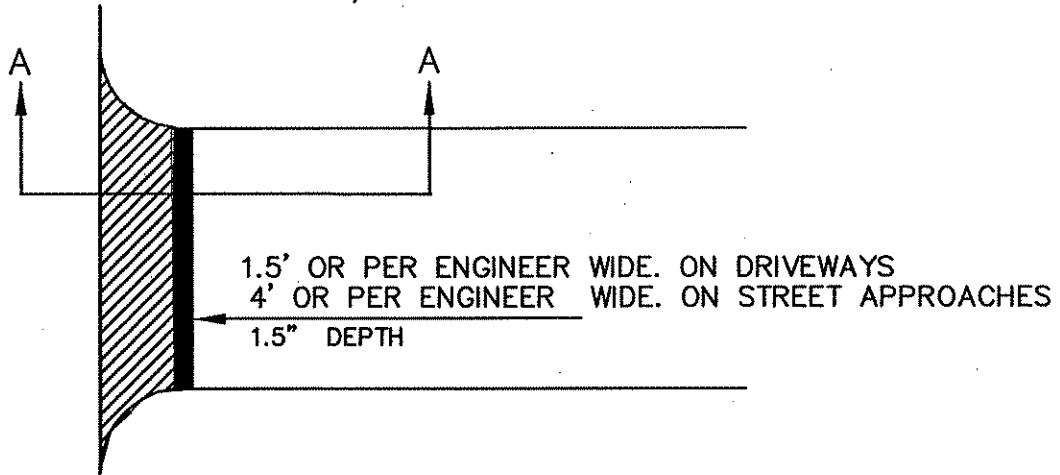
C.P. 07-19-76

LIC. NO. 42757 DATE 5/1/07

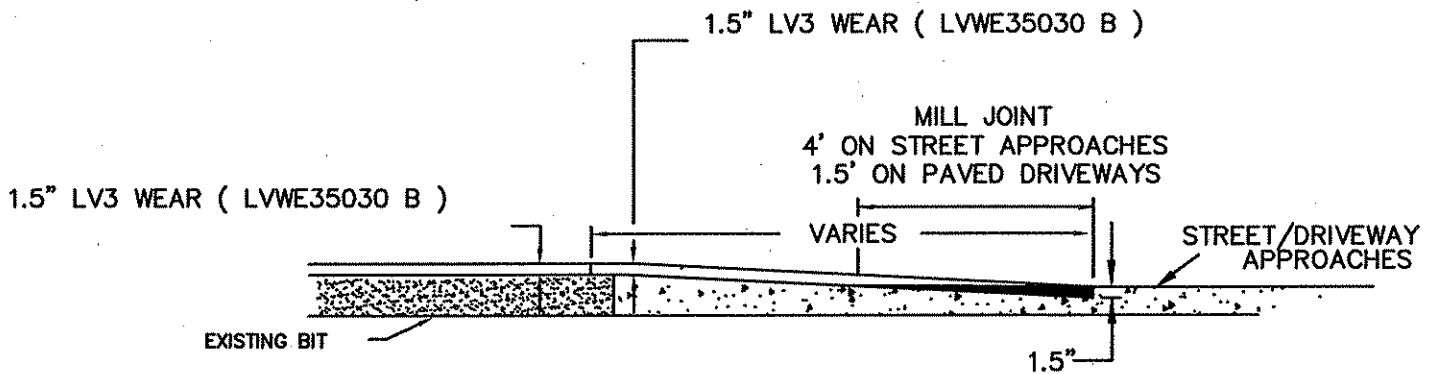
SHEET NO. 5 OF 6 SHEETS

TYPICAL SECTIONS

JOINT DETAILS DRIVEWAYS/STREET APPROACHES



JOINT DETAILS DRIVEWAYS/STREET APPROACHES BEGINNING AND END OF PROJECT



NOTE: NOT TO SCALE

CERTIFIED BY


ANDREW J. WITTER, P.E.

C.P. 07-19-76

LIC. NO. 42757

DATE 5/1/07

SHEET NO. 6 OF 6 SHEETS