

ANOKA COUNTY HIGHWAY DEPARTMENT

CONSTRUCTION PLAN FOR:

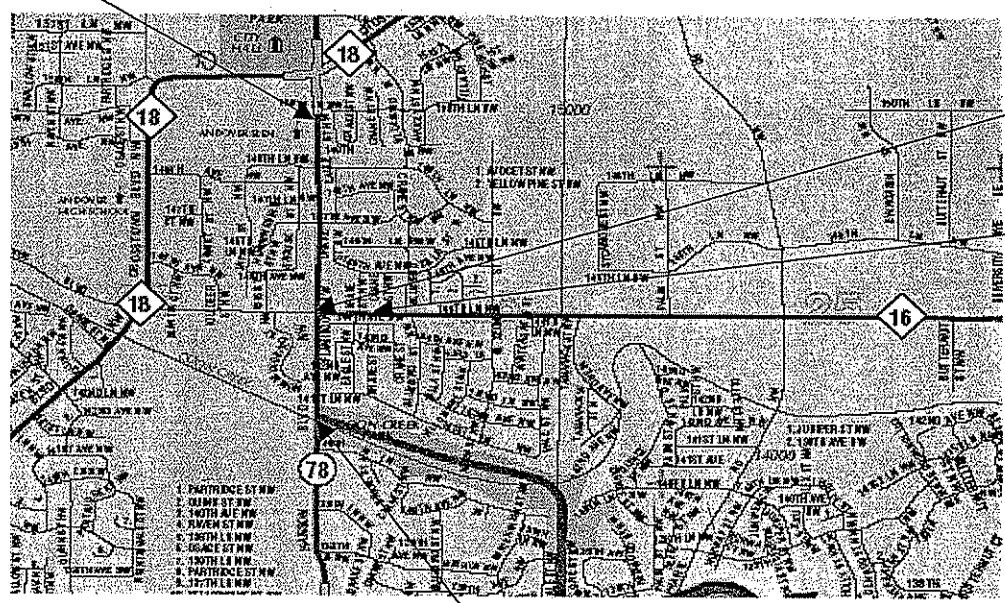
BITUMINOUS OVERLAY

CSAH 78: HANSON BLVD
 FROM COON CREEK BRIDGE
 TO 400' S OF 150TH LN

CR 16 ANDOVER BLVD
 FROM HANSON BLVD
 TO 600' EAST OF HANSON BLVD

COUNTY PROJECT NO:	05-12-78	
CSAH 78 GROSS LENGTH	4635 FT	0.9 MI
CR 16 GROSS LENGTH	600 FT	0.1 MI
BRIDGES LENGTH	0 FT	0 MI
EXCEPTION LENGTH	0 FT	0 MI
NET LENGTH	5235 FT	1.0 MI

END PROJECT C.P. 05-12-78 STATION 56+35



DESIGN SPEED

BEG PROJECT C.P. 05-12-78 STATION 10+00

I HEREBY CERTIFY THAT THIS PLAN WAS PREPARED BY ME OR UNDER MY DIRECT SUPERVISION AND THAT I AM A DULY LICENSED PROFESSIONAL ENGINEER UNDER THE LAWS OF THE STATE OF MINNESOTA

Andrew J. Witter
 ANDREW J. WITTER, P.E.

LIC. NO. 42757 DATE 4/14/05

GOVERNING SPECIFICATIONS:
 THE 2000 EDITION OF THE MINNESOTA DEPARTMENT OF TRANSPORTATION "STANDARD SPECIFICATIONS FOR CONSTRUCTION" SHALL GOVERN. ALL TRAFFIC CONTROL DEVICES SHALL CONFORM TO THE MMUTCD, INCLUDING "FIELD MANUAL FOR TEMPORARY TRAFFIC CONTROL ZONE MUTS - JANUARY 2004."

APPROVED 4/15, 2005 *[Signature]*
 ANOKA COUNTY ENGINEER

STATEMENT OF ESTIMATED QUANTITIES

ITEM NO.	ITEM	NOTE NO.	UNIT	TOTAL EST. QUANT.
2021.501	MOBILIZATION		LUMP SUM	1
2104.503	REMOVE BITUMINOUS		SQ YD	21
2104.513	SAW BITUMINOUS FULL DEPTH		LIN FT	160
2221.609	AGGREGATE SHOULDERING CLASS 7B		CU YD	94
2531.501	6" CONCRETE WALK		SQ FT	192
2232.501	MILL BITUMINOUS SURFACE BUTT JOINTS (2")		SQ YD	139
2357.502	BITUMINOUS MATERIAL FOR TACK COAT		GALLON	1367
2360.609	TYPE MV3 WEAR MIXTURE (MVWE35035 B)		TON	2256
2360.609	TYPE LV3 WEAR MIXTURE ST. APPR. & ENT. (LVWE35030 B)		TON	12
2531.602	PEDESTRIAN CURB RAMP (TRUNCATED DOME)		EACH	16
2563.601	TRAFFIC CONTROL		LUMP SUM	1
2563.602	PORTABLE CHANGEABLE MESSAGE SIGN		UNIT DAY	10
2564.602	PAVEMENT MESSAGE (LT ARROW) POLY PREFORMED		EACH	6
2564.602	PAVEMENT MESSAGE (STRAIGHT ARROW) POLY PREFORMED		EACH	4
2564.602	PAVEMENT MESSAGE (RT ARROW) POLY PREFORMED		EACH	2
2564.602	PAVEMENT MESSAGE (COMB RT/THRU ARROW) POLY PREFORMED		EACH	4
2564.603	4" SOLID LINE WHITE - EPOXY		LIN FT	12470
2564.603	4" DOUBLE YELLOW - EPOXY		LIN FT	4535
2564.603	24" SOLID YELLOW EPOXY		LIN FT	300
2564.603	24" SOLID LINE WHITE - POLY PREFORMED		LIN FT	108
2564.604	ZEBRA CROSSWALK - POLY PREFORMED		SQ FT	468
2580.501	REMOVABLE LANE TAPE		LIN FT	2038

BASIS OF PLANNED QUANTITIES

2357.502	BITUMINOUS MATERIAL FOR TACK COAT	.05 GAL / SQ YD
2360.609	TYPE MV 3 WEARING COURSE MIXTURE (MVWE35035 B)	110 LBS/SQ YD/IN THICKNESS
2580.603	REMOVABLE LANE TAPE	4' AT 50' INTERVALS FOR SKIPS

PLATE NO.	STANDARD DETAIL PLATES
8000I	STANDARD BARRICADES
7036F	PEDESTRIAN CURB RAMP

CERTIFIED BY

Andrew J. Witter

ANDREW J. WITTER, P.E.

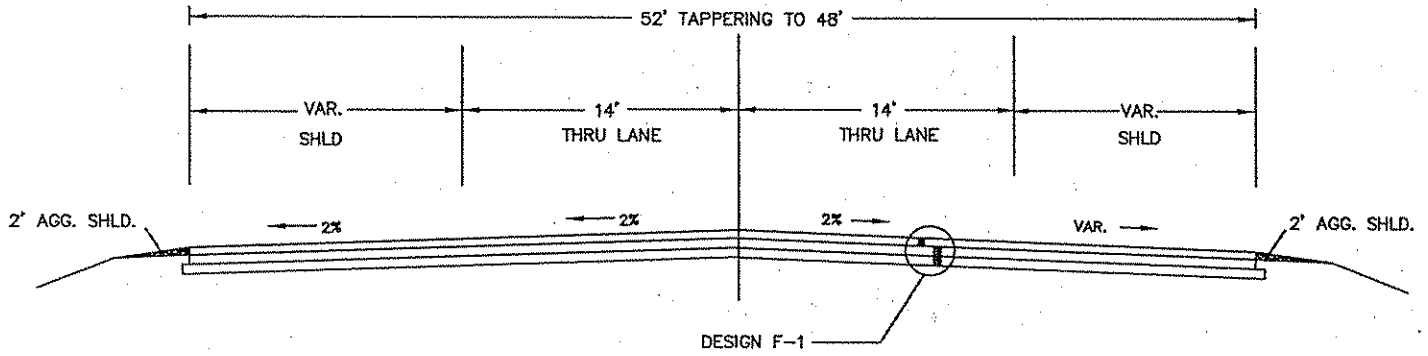
LIC. NO. 42757 DATE 4/14/05

PROJ. 05-12-78

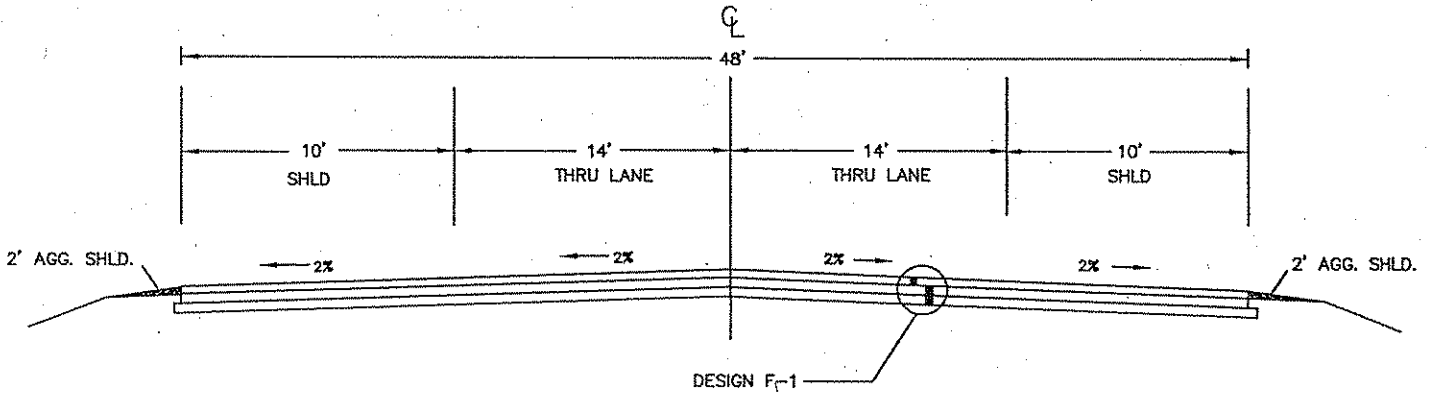
SHEET NO. 2 OF 10 SHEETS.

TYPICAL SECTIONS

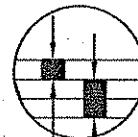
CSAH 78
STA 10+00 TO 12+00



CSAH 78
STA 12+00 - 16+40



DESIGN F-1



PAVE 1.5" TYPE MV3 WEARING COURSE (MVWE35035 B)
EXISTING BITUMINOUS

NOTE: NOT TO SCALE

CERTIFIED BY Andy Witter

ANDY L. WITTER, P.E.

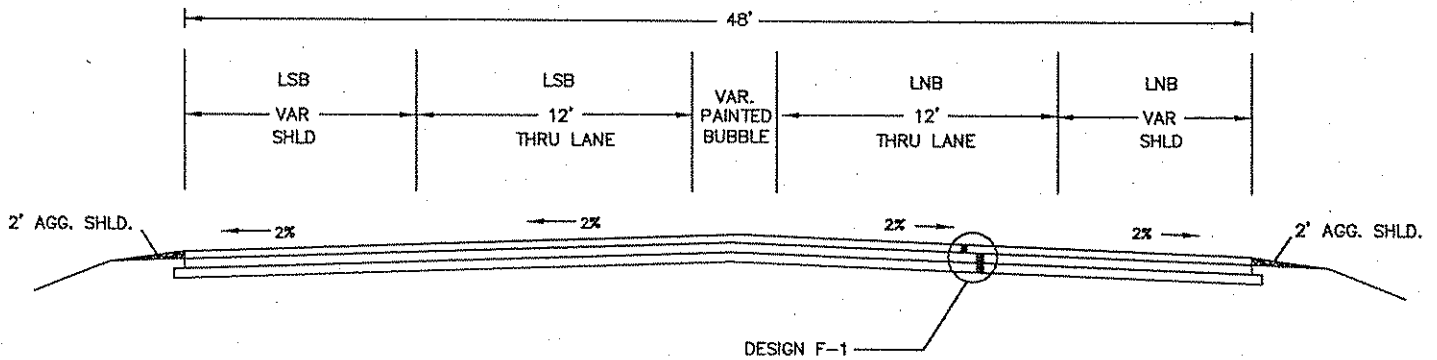
LIC. NO. 42757 DATE 4/14/05

C.P. 05-12-78

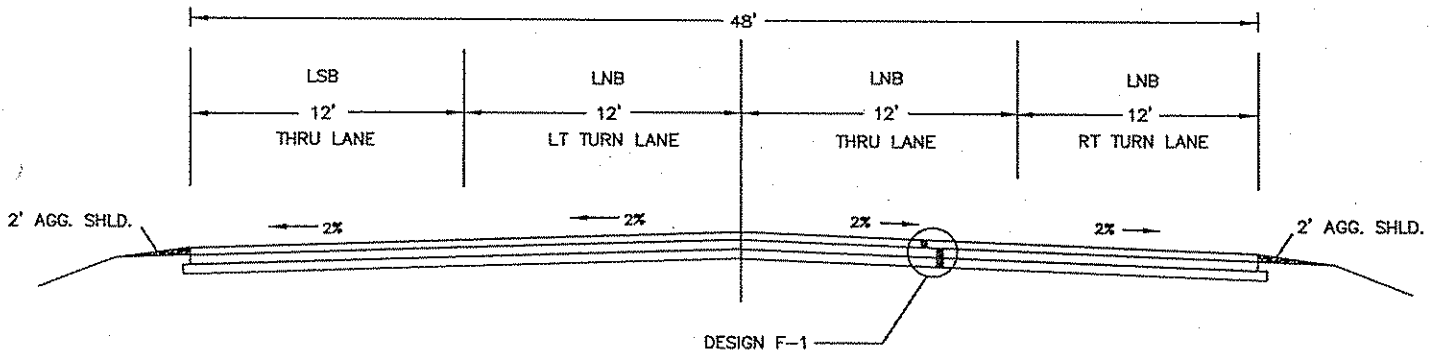
SHEET NO. 3 OF 10 SHEETS

TYPICAL SECTIONS

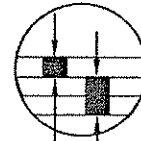
CSAH 78
STA 16+40 - 23+00



CSAH 78
STA 23+00 - 26+50



DESIGN F-1



PAVE 1.5" TYPE MV3 WEARING COURSE (MVWE35035 B)
EXISTING BITUMINOUS

NOTE: NOT TO SCALE

CERTIFIED BY Andrew J. Witter
ANDREW J. WITTER, P.E.

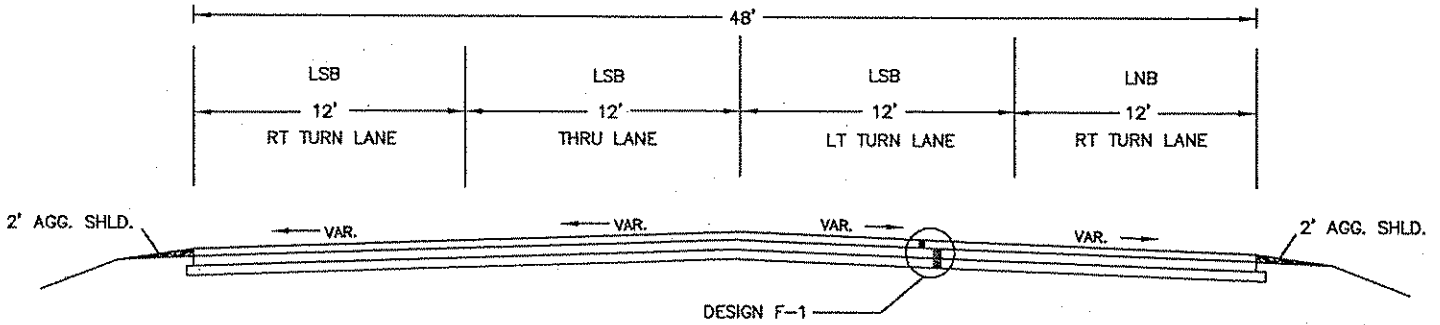
LIC. NO. 42757 DATE 4/14/05

C.P. 05-12-78

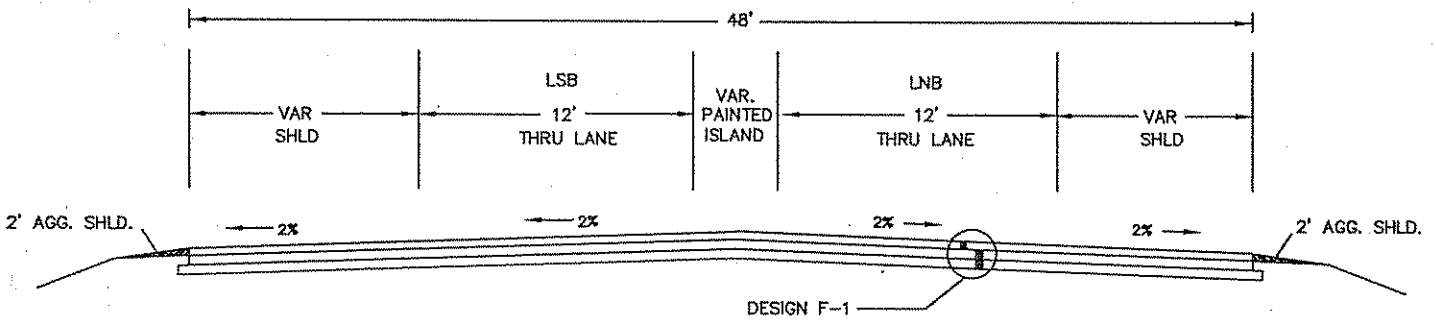
SHEET NO. 4 OF 10 SHEETS

TYPICAL SECTIONS

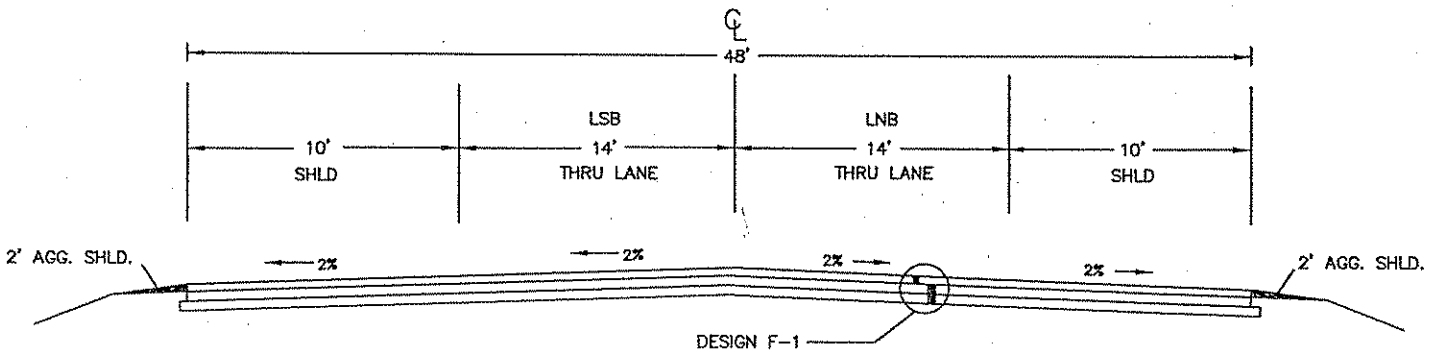
CSAH 78
STA 26+50 - 38+78



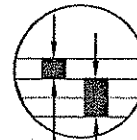
CSAH 78
STA 38+78 - 43+88



CSAH 78
STA 43+88 - 56+35



DESIGN F-1



PAVE 1.5" TYPE MV WEARING COURSE
EXISTING BITUMINOUS

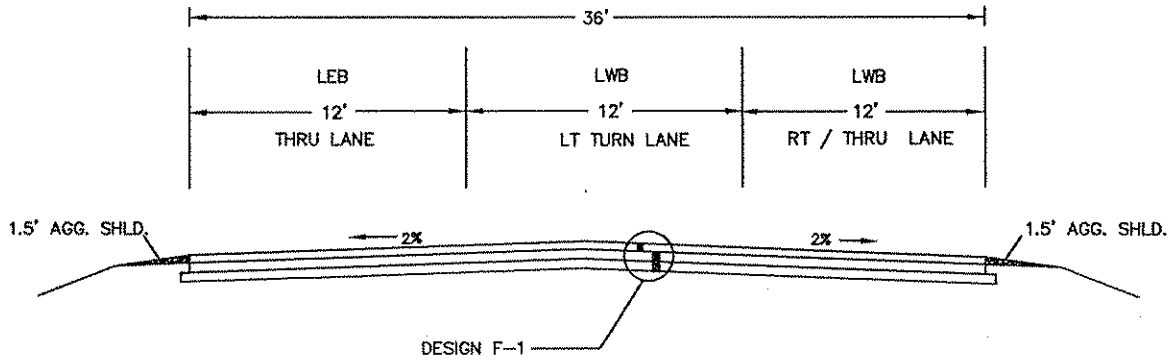
NOTE: NOT TO SCALE

CERTIFIED BY Andrew J. Witter
ANDREW J. WITTER, P.E.
C.P. 05-12-78

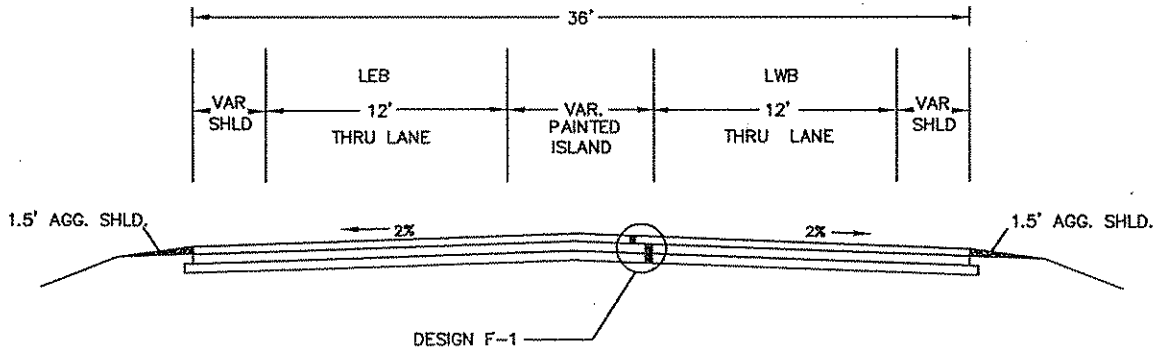
LIC. NO. 42757 DATE 4/14/05
SHEET NO. 5 OF 10 SHEETS

TYPICAL SECTIONS

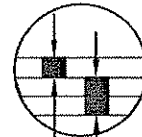
CR 16
STA 60+00 - 63+00



CR 16
STA 63+00 - 66+00



DESIGN F-1



PAVE 1.5" TYPE MV3 WEARING COURSE (MVWE35035 B)
EXISTING BITUMINOUS

NOTE: NOT TO SCALE

CERTIFIED BY Andrew J. Witter

ANDREW J. WITTER, P.E.

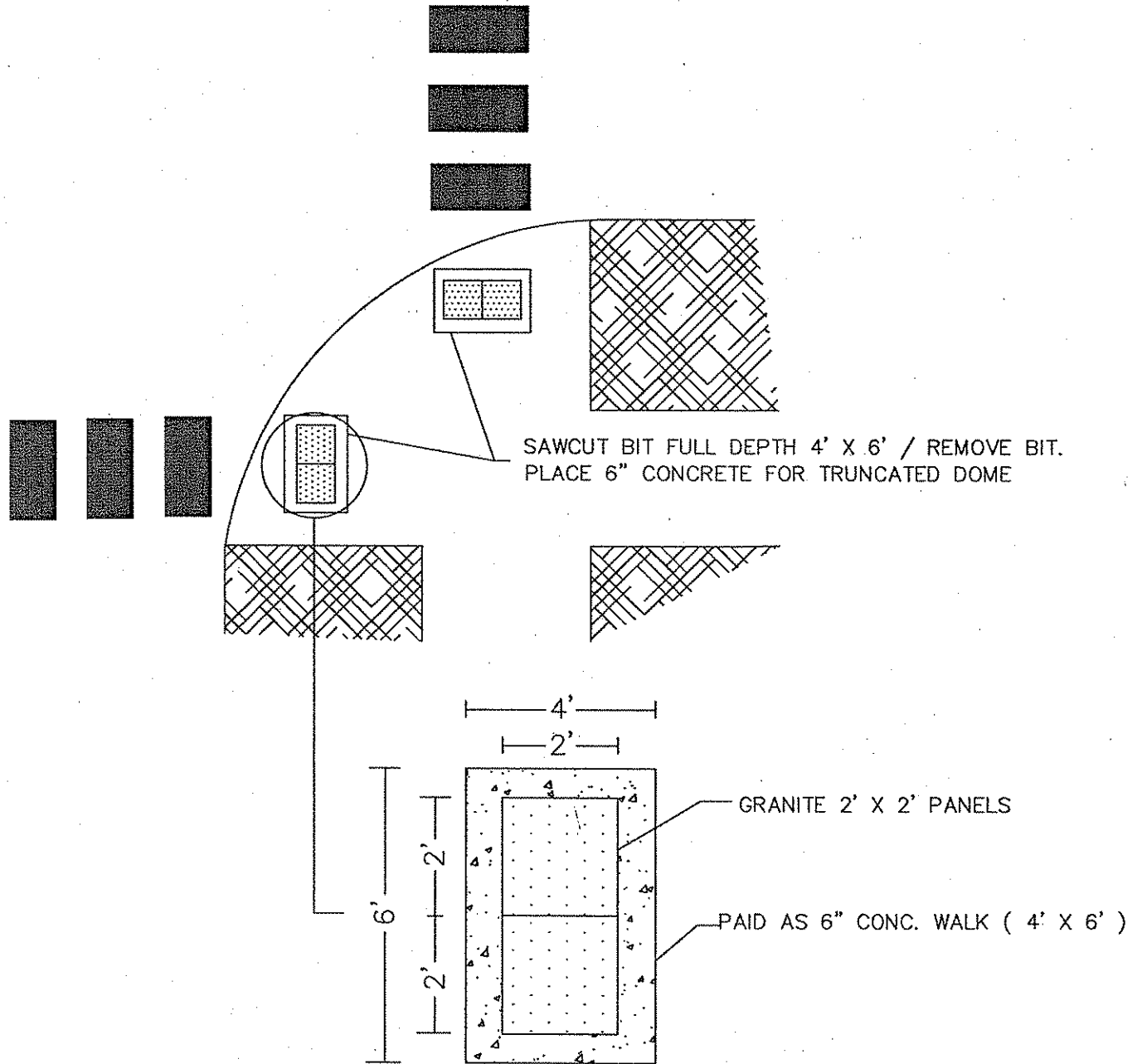
LIC. NO. 42757 DATE 4/14/05

C.P. 05-12-78

SHEET NO. 6 OF 10 SHEETS

TYPICAL SECTIONS

TRUNCATED DOME DETAILS CSAH 78 AND CR 16



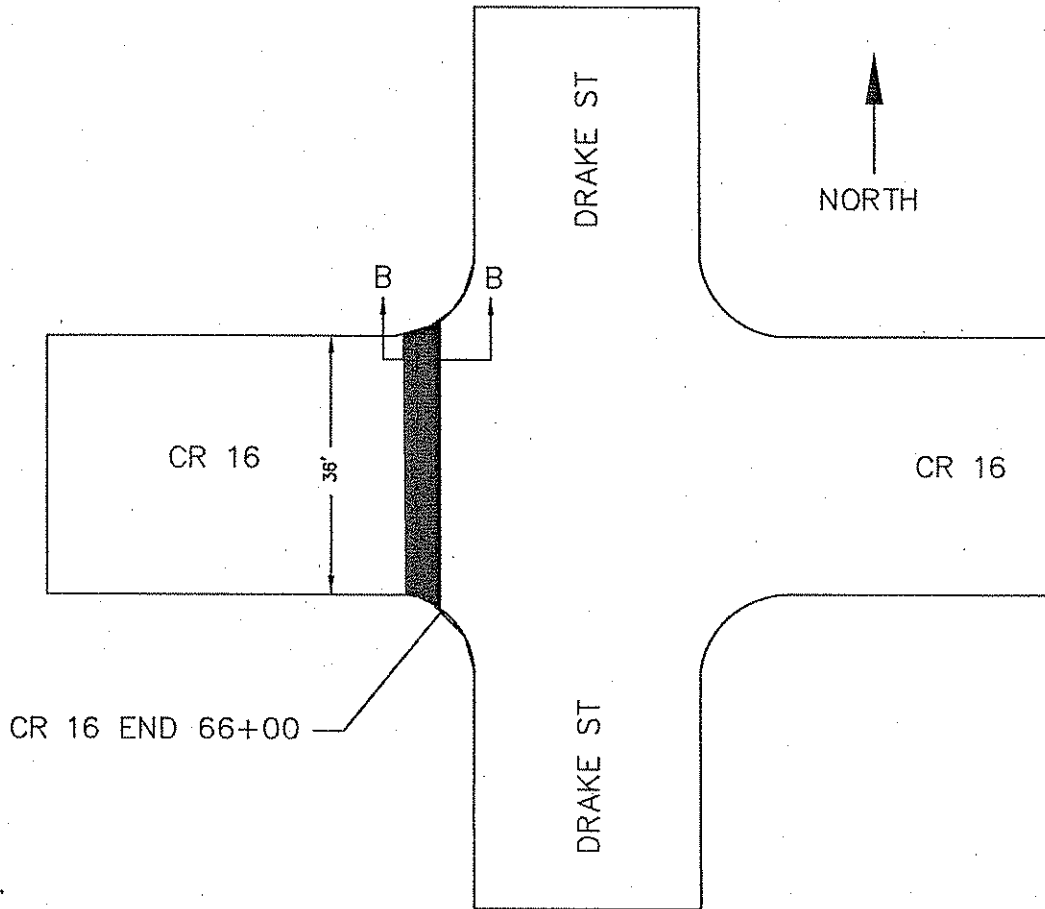
NOTE: NOT TO SCALE

CERTIFIED BY Andrew J. Witter
ANDREW J. WITTER, P.E.
C.P. 05-12-78

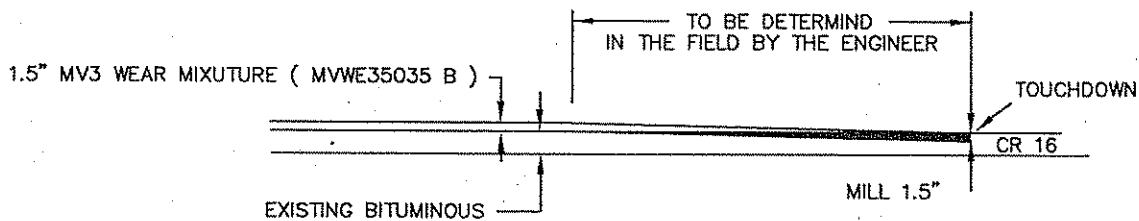
LIC. NO. 42757 DATE 4/14/05
SHEET NO. 7 OF 10 SHEETS

TYPICAL SECTIONS

TRANSITION JOINT DETAILS B - B CSAH 16 END 66+00



TRANSITION JOINT DETAILS B - B



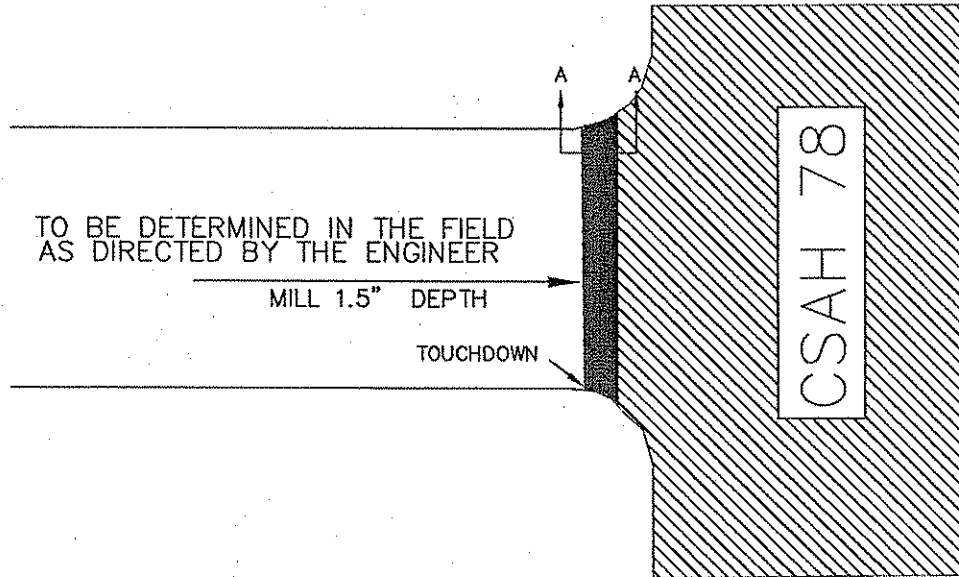
NOTE: NOT TO SCALE

CERTIFIED BY Andrew J. Witter
ANDREW J. WITTER, P.E.

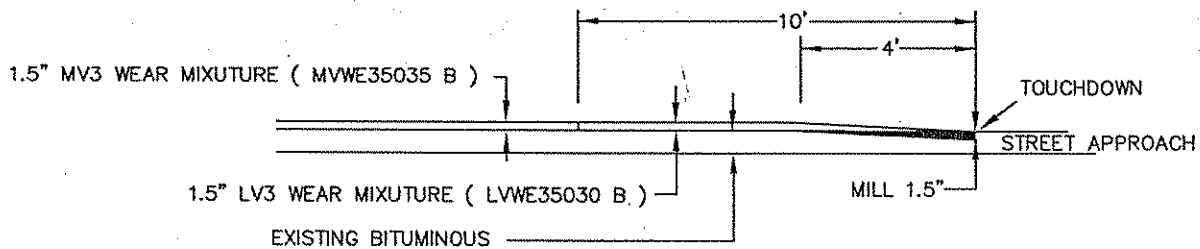
LIC. NO. 42757 DATE 4/14/05
SHEET NO. 8 OF 10 SHEETS

TYPICAL SECTIONS

JOINT DETAILS DRIVEWAYS/STREET APPROACHES



JOINT DETAILS A - A MILL AS DIRECTED BY THE ENGINEER



NOTE: NOT TO SCALE

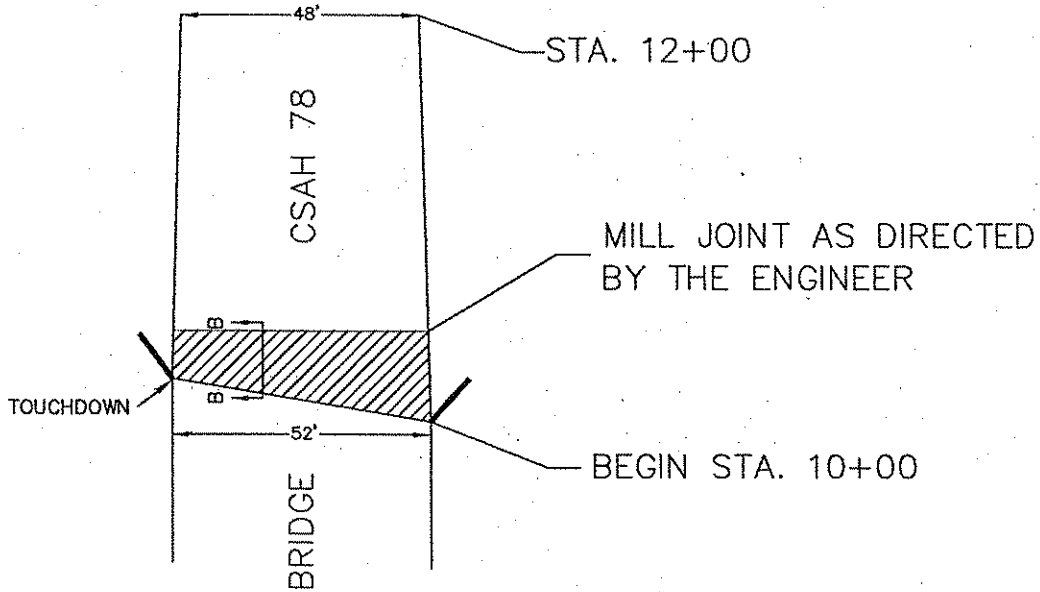
CERTIFIED BY Andrew J. Witter
ANDREW J. WITTER, P.E.

C.P. 05-12-78

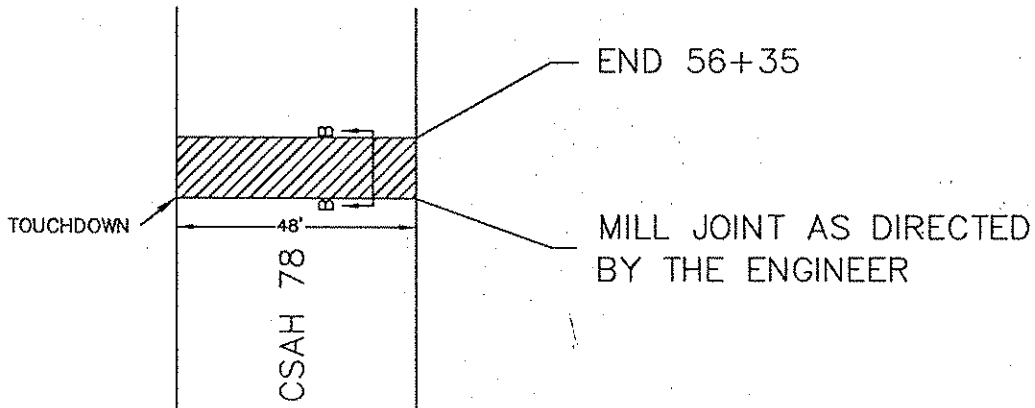
LIC. NO. 42757 DATE 4/14/05
SHEET NO. 9 OF 10 SHEETS

TYPICAL SECTIONS

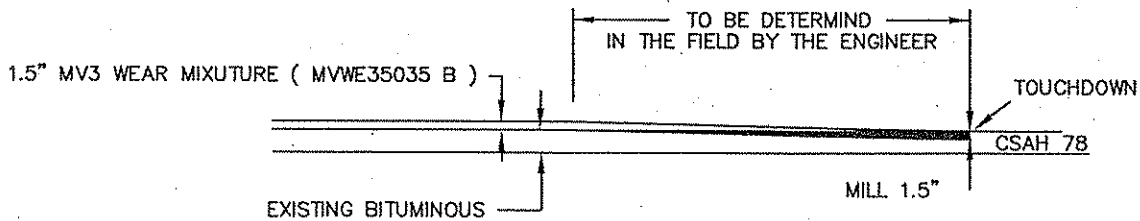
TRANSITION JOINT DETAILS B - B CSAH 78 BEGIN 10+00



TRANSITION JOINT DETAILS B - B CSAH 78 END 56+35



TRANSITION JOINT DETAILS B - B



NOTE: NOT TO SCALE

CERTIFIED BY: Andrew J. Witter
ANDREW J. WITTER, P.E.
C.P. 05-12-78

LIC. NO. 42757 DATE 2/14/05
SHEET NO. 10 OF 10 SHEETS