

confirmation # 2698678572

ANOKA COUNTY HIGHWAY DEPARTMENT
1440 BUNKER LAKE BLVD. N.W.
ANDOVER, MN 55304
PERMIT PHONE (763) 324-3176

APPLICATION FOR PERMIT FOR INSTALLATION OF UTILITIES OR FOR PLACING OBSTRUCTIONS ON COUNTY HIGHWAY SYSTEM

Permit Fee \$ 150.00

OFFICE USE ONLY
Permit Number <u>22-657A</u>
CSAH/C.R. <u>CSAH 52 - RADISSON RD NE</u>
License/Permit Bond Required \$ <u>ON FILE</u>

Name of applicant: Comcast (Crystal Dopp) - Job # JB0001216984		Telephone: 651-583-1103
Address (street, city, state, zip code): 4255 Lexington Ave. N. (Suite 100) Arden Hills, MN 55126		
Name of individual/company performing work: Universal Services, Inc		
Nature of work: Underground cable/conduit installation. Installing a new pedestal.		Method of installation/construction: Directional boring, hand digging
Address of work site: 2310 Cloud Dr - via Radisson Rd NE		In the city/township of: Blaine
Surface to be disturbed: <input checked="" type="checkbox"/> Ditch <input type="checkbox"/> Gravel <input type="checkbox"/> Bituminous <input type="checkbox"/> Concrete <input type="checkbox"/> None		Is the shoulder to be disturbed? <input type="checkbox"/> Yes <input checked="" type="checkbox"/> No
Number and size of excavations: (2) 3' x 3' x 36"		Will traffic be obstructed in any way? (Turn Lane) <input checked="" type="checkbox"/> Yes <input type="checkbox"/> No
Size and kind of pipe/cable: 2" HDPE Conduit / Coax Cable		Depth from surface: 36" - 48"
Work to start on or after: 10/24/2022	Work to be completed by: 4/24/2023 06/30/2023	
Restrictions: SEE ATTACHED		

GENERAL INFORMATION

One permit must be approved for each County Road on which work will be performed prior to any work within the right-of-way by any utility/contractor. Emergency conditions which threaten the safety of the public and require immediate repair are exceptions to this rule. The utility/contractor, under these conditions, is permitted to begin and/or complete the necessary repairs. A written permit is to be completed at the earliest possible date.

A license-permit bond is generally required of the contractor, the amount of which will be determined by the nature of the utility work.

A sketch or drawing shall accompany each permit application which will show the location of the proposed utility with reference to the county highway center line and right-of-way line. A complete set of plans is required for all sewer/water projects.

It shall be the responsibility of the applicant to determine which of the special conditions (listed on the reverse side of this form) apply to each permit.

The Anoka County Highway Department (ACHD) reserves the right to revoke any utility permit and halt work if, upon inspection of any job site, the special conditions listed on the reverse side of this form are not met and/or a hazard exists for the applicant or public safety is threatened.

The applicant shall notify ACHD immediately upon completion of project so that the ACHD can inspect the site to determine whether or not restoration has been satisfactorily completed.

I, We, the undersigned, herewith accept the terms and conditions of the regulations as laid down by the County of Anoka and agree to fully comply therewith to the satisfaction of the ACHD. The County of Anoka, its officials and employees shall be held harmless, by the permittee, from any demands, claims or suits arising out of the granting of the permit.

Date 9 / 22 / 23 Applicant's Signature Crystal Dopp

AUTHORIZATION OF PERMIT

In consideration of the applicant's agreement to comply in all respects with the regulations of the ACHD covering such operations, permission is hereby granted for the work to be done as described in the above application. Said work to be done in accordance with the general conditions listed above and the special conditions required as hereby stated: (SEE REVERSE SIDE OF THIS FORM FOR SPECIAL CONDITIONS).

It is expressly understood that this permit is conditioned upon replacement or restoration of the County Highway and its right of way to their original or to a satisfactory condition. It is further understood that this permit is issued subject to the approval of local city or township authorities having joint supervision over said street or highway.

ANOKA COUNTY HIGHWAY DEPARTMENT

Approved by Joseph J. MacPherson Issued by SB Date 10 / 18 / 2022
Distribution: White-Applicant Yellow-Highway Department Permit Office

DETACH AND RETURN THIS STUB

Permit Number _____

Date Completed ____/____/____

Name Of Applicant _____

Send to: Permit Section
Anoka County Highway Department
1440 Bunker Lake Blvd. N.W.
Andover, MN 55304

SPECIAL CONDITIONS FOR ADVANCE NOTIFICATION FOR COMMENCEMENT & COMPLETION OF WORK

PERMIT HOLDER:

PERMIT NUMBER:

ROAD NUMBER:

CONTRACTOR CONTACT:

PERMIT ACTIVE DATE:

PERMIT EXPIRE DATE:

ALL SUBCONTRACTORS, INSTALLERS, AND CREW SHALL POSSESS A COPY OF ALL DOCUMENTS IN RELATION TO THE APPROVED PERMIT PRIOR TO THE COMMENCEMENT OF WORK AND BE KEPT ON SITE. THIS INCLUDES, BUT IS NOT LIMITED TO, THE FOLLOWING:

- APPROVED PERMIT
- NOTIFICATION SHEET
- ANY/ALL TRAFFIC CONTROL LAYOUTS/PLANS

SPECIAL CONDITIONS

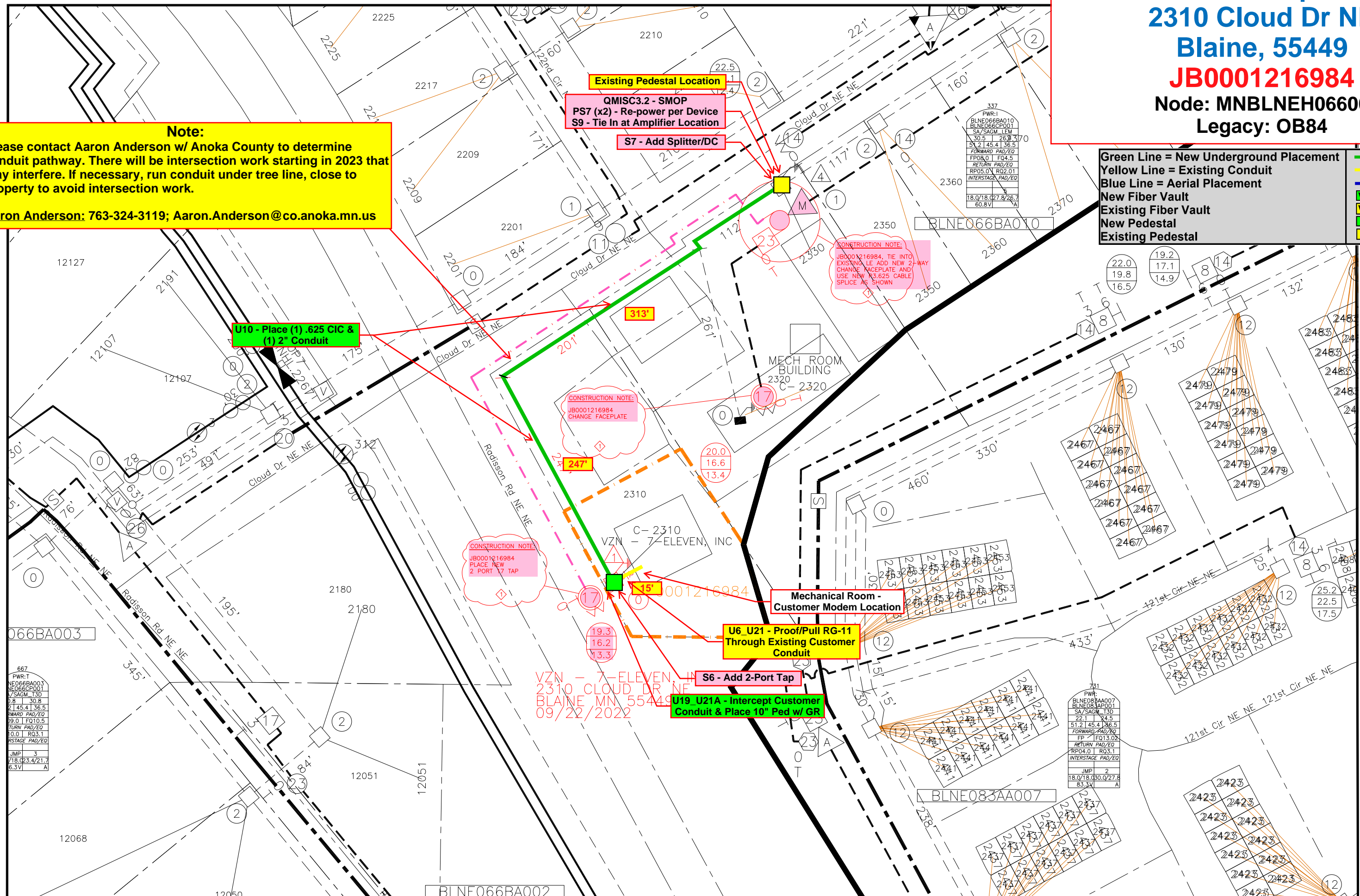
- ALL TRAFFIC CONTROL SHALL BE IN ACCORDANCE WITH THE MOST CURRENT VERSION OF THE MNDOT TEMPORARY TRAFFIC CONTROL FIELD MANUAL
- TC PER APPROVED PLAN ON FILE AT ACHD. LANE CLOSURE 9AM - 3PM
- ALL TRAFFIC CONTROL DEVICES SHALL BE REMOVED, SIGNS TURNED, LAID DOWN, OR COVERED AT THE END OF EACH WORK DAY, OR WHEN NO WORK IS TAKING PLACE UNLESS WRITTEN APPROVAL STATING OTHERWISE
- SHALL NOTIFY ANDREA SCHMID (andrea.schmid@co.anoka.mn.us or 763-324-3128) 48 HOURS PRIOR TO THE COMMENCEMENT OF WORK WITH THE PERMIT NUMBER, THE DATE/TIME WORK IS TO BE PERFORMED, AND THE ESTIMATED DURATION OF WORK
- SHALL NOTIFY ANDREA SCHMID (andrea.schmid@co.anoka.mn.us or 763-324-3128) WHEN WORK IS COMPLETE
- **ACHD WILL BE PERFORMING A SIGNAL PROJECT AT THIS INTERSECTION. ANY RELOCATION REQUIRED FOR THIS PROJECT WILL BE AT THE PERMITTEE'S COST**
- **SHALL STAY AS FAR BACK AS POSSIBLE IN THE EXISTING UTILITY EASEMENT**
- **IF HOOKING INTO EXISTING UTILITY PEDESTAL IN THE SOUTHEAST CORNER OF THE INTERSECTION, NOTE THAT IT IS TO BE RELOCATED WITH THE SIGNAL PROJECT**
- EXCAVATIONS/PITS TO BE PROTECTED AT ALL TIMES OR TO BE BACKFILLED WHEN UNATTENDED OR OVERNIGHT
- NO WORK DURING INCLEMENT WEATHER OR WHEN PLOWS ARE OUT IN ANY CAPACITY
- THIS PERMIT COVERS ANOKA COUNTY ROADS ONLY. SHALL CONTACT CITY FOR PERMITTING ON THEIR ROADS

ACHD reserves the right to make changes to these special conditions.

VZN - 7 Eleven/Super America
2310 Cloud Dr NE
Blaine, 55449
JB0001216984
Node: MNBLNEH06600
Legacy: OB84

Note:
 Please contact Aaron Anderson w/ Anoka County to determine conduit pathway. There will be intersection work starting in 2023 that may interfere. If necessary, run conduit under tree line, close to property to avoid intersection work.
 Aaron Anderson: 763-324-3119; Aaron.Anderson@co.anoka.mn.us

Green Line = New Underground Placement
 Yellow Line = Existing Conduit
 Blue Line = Aerial Placement
 New Fiber Vault
 Existing Fiber Vault
 New Pedestal
 Existing Pedestal



Rev	Date	Description	Rev	Date	Description	Rev	Date	Description	Rev	Date	Description
01	09/22/2022	JB0001216984-WHO-VZN - 7-ELEVEN, INC. - 2310 CLOUD DR NE BLAINE MN 55449(PXEL)									

MNBLNEH06600
 MNHL
 BLAINE, MN





PVC LOOP DETECTORS			
NUMBER	SIZE (FT.)	LOCATION	FUNCTION
D1-1	2-6x6	15' & 45'	1
D1-2	2-6x6	0' & 30'	7
D2-1	6x6	475'	1
D2-2	6x6	475'	1
D4-1	6x6	120'	3,8
D4-2	2-6x6	0' & 15'	7
D4-3	2-6x6	0' & 15'	1
D5-1	2-6x6	15' & 45'	1
D5-2	2-6x6	0' & 30'	1
D6-1	6x6	475'	1
D6-2	6x6	475'	1
D8-1	6x6	120'	3,8
D8-2	6x6	120'	3,8
D8-3	2-6x6	0' & 15'	7
D8-3	2-6x6	0' & 15'	1

NOTE: LOCATION=DISTANCE FROM STOP BAR TO FRONT OF LOOP DETECTOR.

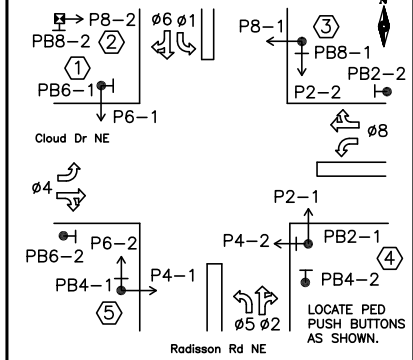
LOOP DETECTORS FUNCTIONS:

- 1) CALL AND EXTEND
- 3) EXTEND ONLY
- 7) DELAYED CALL, IMMEDIATE EXTEND
- 8) CARRY OVER (STRETCH)

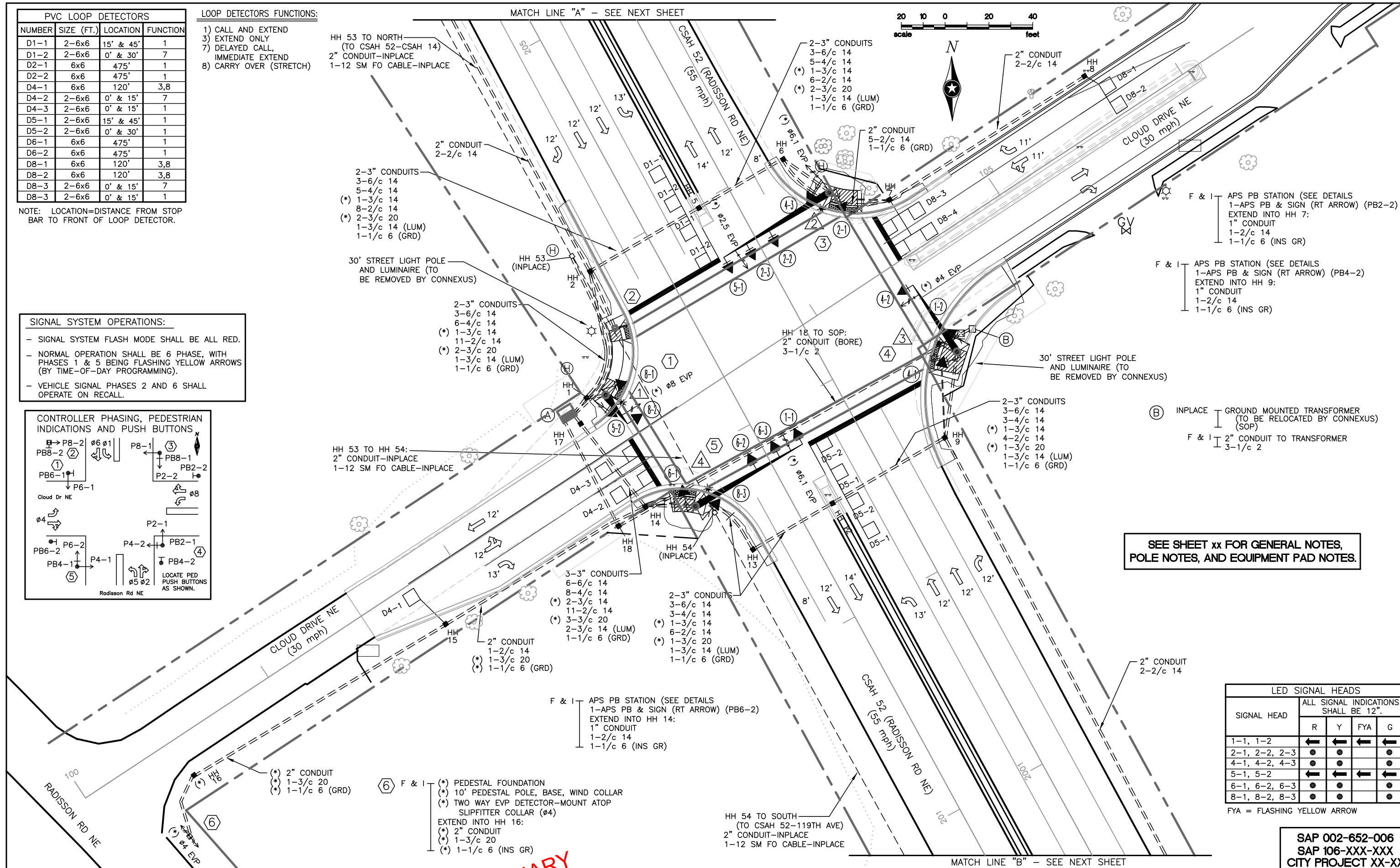
SIGNAL SYSTEM OPERATIONS:

- SIGNAL SYSTEM FLASH MODE SHALL BE ALL RED.
- NORMAL OPERATION SHALL BE 6 PHASE, WITH PHASES 1 & 5 BEING FLASHING YELLOW ARROWS (BY TIME-OF-DAY PROGRAMMING).
- VEHICLE SIGNAL PHASES 2 AND 6 SHALL OPERATE ON RECALL.

CONTROLLER PHASING, PEDESTRIAN INDICATIONS AND PUSH BUTTONS



MATCH LINE "A" - SEE NEXT SHEET



F & I APS PB STATION (SEE DETAILS)
 1-APS PB & SIGN (RT ARROW) (PB2-2)
 EXTEND INTO HH 7:
 1" CONDUIT
 1-2/c 14
 1-1/c 6 (INS GR)

F & I APS PB STATION (SEE DETAILS)
 1-APS PB & SIGN (RT ARROW) (PB4-2)
 EXTEND INTO HH 9:
 1" CONDUIT
 1-2/c 14
 1-1/c 6 (INS GR)

(B) INPLACE GROUND MOUNTED TRANSFORMER (TO BE RELOCATED BY CONNEXUS)
 F & I 2" CONDUIT TO TRANSFORMER
 3-1/c 2

SEE SHEET xx FOR GENERAL NOTES, POLE NOTES, AND EQUIPMENT PAD NOTES.

LED SIGNAL HEADS				
SIGNAL HEAD	ALL SIGNAL INDICATIONS SHALL BE 12"			
	R	Y	FYA	G
1-1, 1-2	←	←	←	←
2-1, 2-2, 2-3	●	●	●	●
4-1, 4-2, 4-3	●	●	●	●
5-1, 5-2	←	←	←	←
6-1, 6-2, 6-3	●	●	●	●
8-1, 8-2, 8-3	●	●	●	●

FYA = FLASHING YELLOW ARROW

SAP 002-652-006
 SAP 106-XXX-XXX
 CITY PROJECT XX-XX

SEH Project	ANOK 163661	Rev.#	Revision Issue Description	Date	Rev.#	Revision Issue Description	Date
Drawn By	JMG						
Designed By	JMG						
Checked By	JMG						

I HEREBY CERTIFY THAT THIS PLAN WAS PREPARED BY ME OR UNDER MY DIRECT SUPERVISION AND THAT I AM A DULY LICENSED PROFESSIONAL ENGINEER UNDER THE LAWS OF THE STATE OF MINNESOTA.

John M. Gray
 Name: John M. Gray, PE
 Lic. No. 22457
 Date: September 9, 2022

CSAH 52 AT CLOUD DRIVE NE
 ANOKA COUNTY, MINNESOTA
 CITY OF BLAINE

TRAFFIC CONTROL SIGNAL SYSTEM
 INTERSECTION LAYOUT
 CSAH 52 (RADISSON RD NE) AT CLOUD DR NE

X
 of xx

PRELIMINARY

Save: 9/14/2022 11:25 PM S:\AE\A\Anokic\Common\signals\62-Cloud\2021 Design\cad\dwg\signals\AC163661_INT.dwg

POINT TABLE

POINT #	RAW DESCRIPTION	ELEVATION	NORTHING	EASTING
1	PUSH BUTTON	904.62	156706.182	513409.486
2	LANDING	905.04	156705.813	513411.670
3	LANDING	905.02	156700.764	513412.888
4	LANDING	905.09	156699.908	513407.961
5	LANDING	905.12	156704.782	513406.761
6	LANDING	904.98	156683.325	513406.007
7	LANDING	904.91	156681.318	513410.591
8	LANDING	904.87	156675.509	513407.480
9	LANDING	904.94	156678.196	513403.290
10	SIGNAL POLE	904.53	156675.668	513405.192
11	PUSH BUTTON	903.34	156626.317	513436.008
12	LANDING	904.33	156628.909	513446.187
13	LANDING	904.43	156621.997	513445.070
14	LANDING	904.29	156622.367	513436.758
15	LANDING	904.19	156629.370	513436.314
16	SIGNAL POLE	903.45	156624.833	513446.189
17	PUSH BUTTON	903.81	156686.672	513558.767
18	LANDING	904.30	156695.245	513570.237
19	LANDING	904.36	156685.187	513566.868
20	LANDING	904.20	156687.175	513556.535
21	LANDING	904.14	156699.075	513560.156
22	SIGNAL POLE	904.24	156695.362	513565.596
23	PUSH BUTTON	904.71	156765.032	513520.470
24	LANDING	904.77	156769.024	513520.119
25	LANDING	904.67	156762.024	513520.176
26	LANDING	904.85	156763.777	513507.742
27	LANDING	904.96	156770.488	513509.736
28	SIGNAL POLE	904.94	156768.102	513507.349

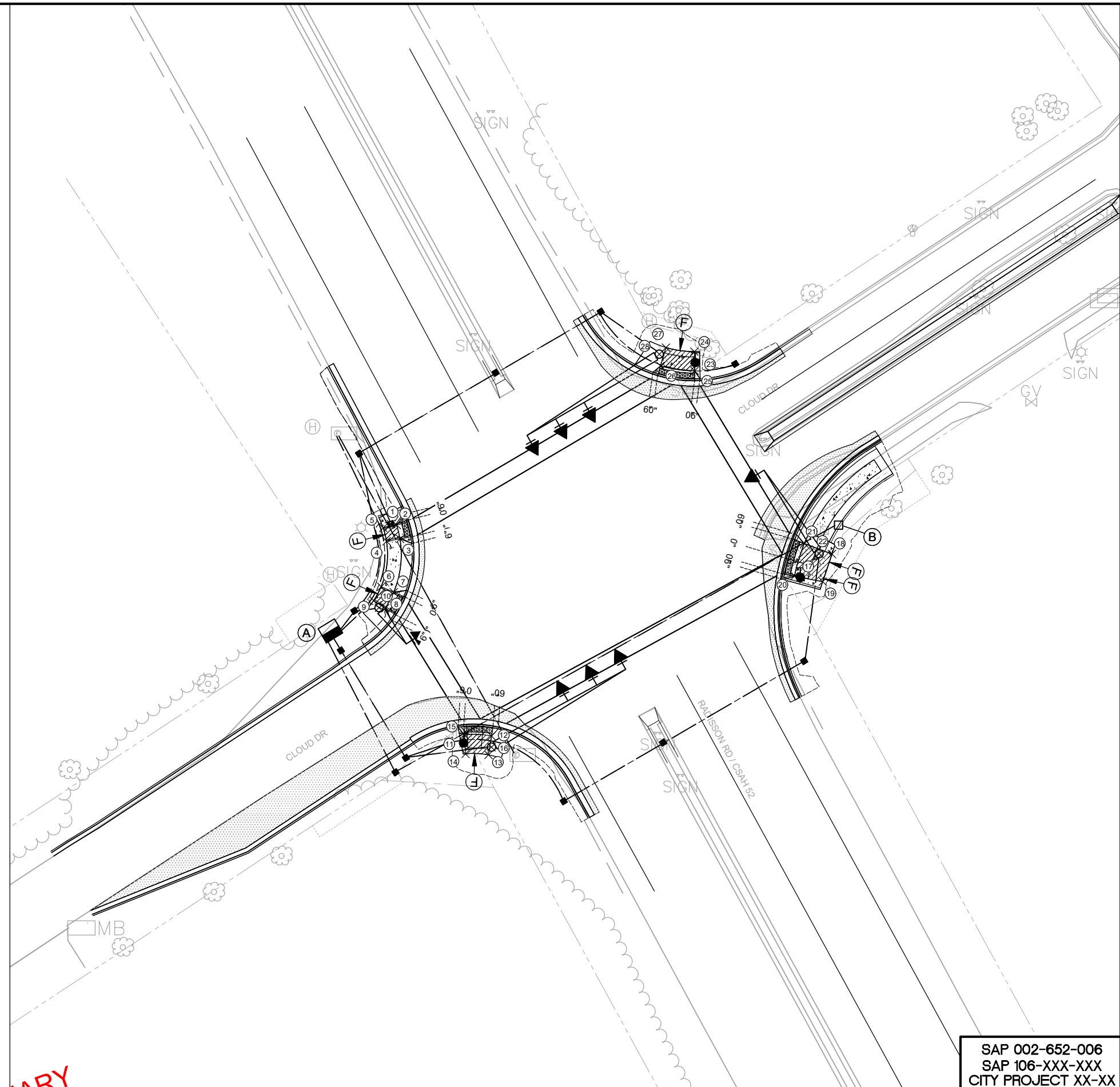
SEE REMOVALS SHEET FOR ESTIMATED QUANTITIES BY QUADRANT

NOTE:
 1. LANDINGS - AN INITIAL LANDING IS THE FIRST REQUIRED LANDING OF A PEDESTRIAN RAMP. ALL INITIAL LANDINGS REQUIRED AT THE TOP OF A RAMPED SLOPED SURFACE (>2% LONGITUDINAL SLOPE), SHALL BE FORMED AND PLACED SEPARATELY IN AN INDEPENDENT CONCRETE POUR. THIS DOES NOT INCLUDE INITIAL LANDINGS PLACED AT ROADWAY GRADE SUCH AS DEPRESSED CORNERS, PARALLEL RAMPS, OR RURAL FLAT LANDINGS. SECONDARY LANDINGS CONSIST OF ALL LANDINGS BEYOND THE INITIAL LANDING. THESE SECONDARY LANDINGS DO NOT REQUIRE A SEPARATE LANDING POUR, ALL LANDINGS ADJACENT TO PUSH BUTTONS SHALL BE FORMED AND PLACED SEPARATELY IN AN INDEPENDENT CONCRETE POUR, REGARDLESS OF RAMP TYPE.



LEGEND

LAND AREA- 4'X4' MIN. DIMS. MAX 2.0% SLOPE IN ALL DIRECTIONS	INDICATES PEDESTRIAN RAMP- SLOPE SHALL BE BETWEEN 5.0% MINIMUM AND 8.3% MAXIMUM IN THE DIRECTION SHOWN AND CROSS SLOPE SHALL NOT EXCEED 2.0%
TRUNCATED DOMES, SEE STANDARD PLATE 7038	INDICATES PEDESTRIAN RAMP- SLOPE SHALL BE GREATER THAN 2.0% AND LESS THAN 5.0% IN THE DIRECTION SHOWN AND CROSS SLOPE SHALL NOT EXCEED 2.0%
CONCRETE SIDEWALK/PAVEMENT	DRAINAGE FLOW ARROW
BITUMINOUS PAVEMENT	PUSH BUTTON STATION
B618 CURB AND GUTTER	PROPOSED SIGNAL POLE
FLOWLINE CONTROL POINTS	



SAP 002-652-006
 SAP 106-XXX-XXX
 CITY PROJECT XX-XX

SEH Project	ANOK 163661	Rev.#	Revision Issue Description	Date	Rev.#	Revision Issue Description	Date
Drawn By	JMG						
Designed By	JMG						
Checked By	JMG						

PRELIMINARY

I HEREBY CERTIFY THAT THIS PLAN WAS PREPARED BY ME OR UNDER MY DIRECT SUPERVISION AND THAT I AM A DULY LICENSED PROFESSIONAL ENGINEER UNDER THE LAWS OF THE STATE OF MINNESOTA.

Name: John M. Gray, PE
 Date: August 19, 2022 Lic. No. 22457

CSAH 52 AT CLOUD DRIVE NE
 ANOKA COUNTY, MINNESOTA
 CITY OF BLAINE

CURB RAMP INTERSECTION DETAILS
 CSAH 52 (RADISSON RD NE) AT CLOUD DR NE



Anoka County

TRANSPORTATION DIVISION

Respectful, Innovative, Fiscally Responsible

Highway

Transit

Surveyor

GIS

Fleet

Joe MacPherson, P.E.
Chief Officer, Transportation, County Engineer

Jerry Auge, P.E.
Department Director, Assistant County Engineer

EXCAVATOR AND OPERATOR NOTICE

This notice is for all excavators and operators applying for permits involving excavations your obligations to comply with Minnesota State Statutes 216D that is attached to this notice.

This notice is a requirement of State Statute 216D.02; Notice to Excavators and Operators.

Our Passion Is Your Safe Way Home

1440 Bunker Lake Boulevard N.W. ▲ Andover, MN 55304-4005
Office: 763-324-3100 ▲ Fax: 763-324-3020 ▲ www.anokacounty.us/highway

Affirmative Action / Equal Opportunity Employer

216D.03 NOTIFICATION CENTER.

Subdivision 1. **Participation.** An operator shall participate in and share in the costs of one statewide notification center operated by a vendor selected under subdivision 2.

Subd. 2. **Establishment of notification center; rules.** (a) The notification center services must be provided by a nonprofit corporation approved in writing by the commissioner. The nonprofit corporation must be governed by a board of directors of up to 20 members, one of whom is the director of the Office of Pipeline Safety. The other board members must represent and be elected by operators, excavators, and other persons eligible to participate in the center. In deciding to approve a nonprofit corporation, the commissioner shall consider whether it meets the requirements of this paragraph and whether it demonstrates that it has the ability to contract for and implement the notification center service.

(b) The commissioner shall adopt rules:

(1) establishing a notification process and competitive bidding procedure for selecting a vendor to provide the notification service;

(2) governing the operating procedures and technology needed for a statewide notification center; and

(3) setting forth the method for assessing the cost of the service among operators.

(c) The commissioner shall select a vendor to provide the notification center service. The commissioner may advertise for bids as provided in section 16C.06, subdivisions 1 and 2, and base the selection of a vendor on best value as provided in section 16C.06, subdivision 6. The commissioner shall select and contract with the vendor to provide the notification center service, but all costs of the center must be paid by the operators. The commissioner may at any time appoint a task force to advise on the renewal of the contract or any other matter involving the center's operations.

(d) An operator may submit a bid and be selected to contract to provide the notification center service under paragraph (a) or (c). The commissioner shall annually review the services provided by the nonprofit corporation approved under paragraph (a) or the vendor selected under paragraph (c).

Subd. 3. **Cooperation with local government.** In establishing operating procedures and technology for the statewide notification center, the board of directors or the commissioner must work in cooperation with the League of Minnesota Cities, the Association of Minnesota Counties, and the Township Officers' Association. The purpose of this cooperation is to maximize the participation of local governmental units that issue permits for activities involving excavation to assure that excavators receive notice of and comply with the requirements of sections 216D.01 to 216D.07.

Subd. 4. **Notice to local government.** The notification center shall provide local governmental units with a master list, by county, of the operators in the county who are participants in the notification center, and the telephone number and mailing address of the notification center.

History: 1987 c 353 s 9; 1997 c 187 art 1 s 15; 1998 c 386 art 2 s 69

216D.04 EXCAVATION; LAND SURVEY.

Subdivision 1. **Notice required; contents.** (a) Except in an emergency, an excavator shall and a land surveyor may contact the notification center and provide notice at least 48 hours, excluding Saturdays, Sundays, and holidays and not more than 14 calendar days before beginning any excavation or boundary survey. An excavation or boundary survey begins, for purposes of this requirement, the first time excavation or a boundary survey occurs in an area that was not previously identified by the excavator or land surveyor in the notice.

(b) The notice may be oral or written, and must contain the following information:

- (1) the name of the individual providing the notice;
- (2) the precise location of the proposed area of excavation or survey;
- (3) the name, address, and telephone number of the individual or individual's company;
- (4) the field telephone number, if one is available;
- (5) the type and extent of the activity;
- (6) whether or not the discharge of explosives is anticipated;
- (7) the date and time when the excavation or survey is to commence; and
- (8) the estimated duration of the activity.

Subd. 1a. **Plans for excavation.** (a) Any person, prior to soliciting bids or entering into a contract for excavation, shall provide a proposed notice to the notification center to obtain from the affected operators of underground facilities the type, size, and general location of underground facilities. Affected operators shall provide the information within 15 working days. An operator who provides information to a person who is not a unit of government may indicate any portions of the information which are proprietary and may require the person to provide appropriate confidentiality protection. The information obtained from affected operators must be submitted on the final drawing used for the bid or contract and must depict the utility quality level of that information. This information must be updated not more than 90 days before completion of the final drawing used for the bid or contract.

(b) This subdivision does not apply to bids and contracts for:

- (1) routine maintenance of underground facilities or installation, maintenance, or repair of service lines;
- (2) excavation for operators of underground facilities performed on a unit of work or similar basis; or
- (3) excavation for home construction and projects by home owners.

(c) A person required by this section to show existing underground facilities on its drawings shall conduct one or more preliminary design meetings during the design phase to communicate the project design and coordinate utility relocation. Affected facility operators shall attend these meetings or make other arrangements to provide information.

(d) A person required by this section to show existing underground facilities on its drawings shall conduct one or more preconstruction meetings to communicate the project design and coordinate utility relocation. Affected facility operators and contractors shall attend these meetings or make other arrangements to provide information.

(e) This subdivision does not affect the obligation to provide a notice of excavation as required under subdivision 1.

Subd. 2. Duties of notification center; regarding notice. The notification center shall assign an inquiry identification number to each notice and retain a record of all notices received for at least six years. The center shall immediately transmit the information contained in a notice to every operator that has an underground facility in the area of the proposed excavation or boundary survey.

Subd. 3. Locating underground facility; operator. (a) Prior to the excavation start time on the notice, an operator shall locate and mark or otherwise provide the approximate horizontal location of the underground facilities of the operator and provide readily available information regarding the operator's abandoned and out-of-service underground facilities as shown on maps, drawings, diagrams, or other records used in the operator's normal course of business, without cost to the excavator. The excavator shall determine the precise location of the underground facility, without damage, before excavating within two feet of the marked location of the underground facility.

(b) Within 96 hours or the time specified in the notice, whichever is later, after receiving a notice for boundary survey from the notification center, excluding Saturdays, Sundays, and holidays, unless otherwise agreed to between the land surveyor and operator, an operator shall locate and mark or otherwise provide the approximate horizontal location of the underground facilities of the operator, without cost to the land surveyor.

(c) For the purpose of this section, the approximate horizontal location of the underground facilities is a strip of land two feet on either side of the underground facilities.

(d) Markers used to designate the approximate location of underground facilities must follow the current color code standard used by the American Public Works Association.

(e) If the operator cannot complete marking of the excavation or boundary survey area before the excavation or boundary survey start time stated in the notice, the operator shall promptly contact the excavator or land surveyor.

(f) After December 31, 1998, operators shall maintain maps, drawings, diagrams, or other records of any underground facility abandoned or out-of-service after December 31, 1998.

(g) An operator or other person providing information pursuant to this subdivision is not responsible to any person, for any costs, claims, or damages for information provided in good faith regarding abandoned, out-of-service, or private or customer-owned underground facilities.

Subd. 4. Locating underground facility; excavator or land surveyor. (a) The excavator or land surveyor shall determine the precise location of the underground facility, without damage, before excavating within two feet on either side of the marked location of the underground facility.

(b) If the excavator or land surveyor cancels the excavation or boundary survey, the excavator or land surveyor shall cancel the notice through the notification center.

(c) The notice is valid for 14 calendar days from the start time stated on the notice. If the activity will continue after the expiration time, then the person responsible for the activity shall serve an additional notice at least 48 hours, excluding Saturdays, Sundays, and holidays, before the expiration time of the original notice, unless the excavator makes arrangements with the operators affected to periodically verify or refresh the marks, in which case the notice is valid for six months from the start time stated on the notice.

(d) The excavator is responsible for reasonably protecting and preserving the marks until no longer required for proper and safe excavation near the underground facility. If the excavator has reason to believe the marks are obliterated, obscured, missing, or incorrect, the excavator shall notify the facility operator or notification center in order to have an operator verify or refresh the marks.

History: *1987 c 353 s 10; 1992 c 493 s 5; 1993 c 341 art 1 s 21; 1997 c 196 s 1; 1998 c 348 s 1-3; 2004 c 163 s 2-6*

216D.05 PRECAUTIONS TO AVOID DAMAGE.

An excavator shall:

- (1) plan the excavation to avoid damage to and minimize interference with underground facilities in and near the construction area;
- (2) use white markings for proposed excavations except where it can be shown that it is not practical;
- (3) maintain a clearance between an underground facility and the cutting edge or point of any mechanized equipment, considering the known limit of control of the cutting edge or point to avoid damage to the facility;
- (4) provide support for underground facilities in and near the construction area, including during backfill operations, to protect the facilities; and
- (5) conduct the excavation in a careful and prudent manner.

History: *1987 c 353 s 11; 1998 c 348 s 4; 2004 c 163 s 7*

216D.06 DAMAGE TO FACILITY.

Subdivision 1. **Notice; repair.** (a) If any damage occurs to an underground facility or its protective covering, the excavator shall notify the operator promptly. When the operator receives a damage notice, the operator shall promptly dispatch personnel to the damage area to investigate. If the damage results in the escape of any flammable, toxic, or corrosive gas or liquid or endangers life, health, or property, the excavator responsible shall immediately notify the operator and the 911 public safety answering point, as defined in section 403.02, subdivision 19, and take immediate action to protect the public and property. The excavator shall also attempt to minimize the hazard until arrival of the operator's personnel or until emergency responders have arrived and completed their assessment. The 911 public safety answering point shall maintain a response plan for notifications generated by this section.

(b) An excavator shall delay backfilling in the immediate area of the damaged underground facilities until the damage has been investigated by the operator, unless the operator authorizes otherwise. The repair of damage must be performed by the operator or by qualified personnel authorized by the operator.

(c) An excavator who knowingly damages an underground facility, and who does not notify the operator as soon as reasonably possible or who backfills in violation of paragraph (b), is guilty of a misdemeanor.

Subd. 2. **Cost reimbursement.** (a) If an excavator damages an underground facility, the excavator shall reimburse the operator for the cost of necessary repairs, and for a pipeline the cost of the product that was being carried in the pipeline and was lost as a direct result of the damage.

(b) Reimbursement is not required if the damage to the underground facility was caused by the sole negligence of the operator or the operator failed to comply with section 216D.04, subdivision 3.

Subd. 3. **Prima facie evidence of negligence.** It is prima facie evidence of the excavator's negligence in a civil court action if damage to the underground facilities of an operator resulted from excavation, and the excavator failed to give an excavation notice under section 216D.04 or provide support as required by section 216D.05.

History: 1987 c 353 s 12; 1999 c 43 s 1

216D.07 EFFECT ON LOCAL ORDINANCES.

(a) Sections 216D.01 to 216D.07 do not affect or impair local ordinances, charters, or other provisions of law requiring permits to be obtained before excavating.

(b) A person with a permit for excavation from the state or a public agency is subject to sections 216D.01 to 216D.07. The state or public agency that issued a permit for excavation is not liable for the actions of an excavator who fails to comply with sections 216D.01 to 216D.07.

History: *1987 c 353 s 13*

CHAPTER 7560
OFFICE OF PIPELINE SAFETY
EXCAVATION NOTICE SYSTEM

- 7560.0100 DEFINITIONS.
- 7560.0125 ABANDONED AND OUT-OF-SERVICE FACILITIES.
- 7560.0150 PUBLIC RIGHT-OF-WAY MAPPING AND INSTALLATION.
- 7560.0225 EXCAVATOR RESPONSIBILITIES REGARDING A LOCATE.
- 7560.0250 LOCATE STANDARDS.
- 7560.0300 OPERATOR PARTICIPATES AND SHARES COSTS.
- 7560.0325 EMERGENCY EXCAVATION NOTICES.
- 7560.0350 EXCAVATION NOTICE REQUESTING MEET.
- 7560.0375 LOCATING A SERVICE LATERAL.
- 7560.0400 CITATIONS.
- 7560.0500 RESPONSE OPTIONS.
- 7560.0600 DIRECTOR REVIEW.
- 7560.0700 CONSENT ORDER.
- 7560.0800 CIVIL PENALTIES.

7560.0100 DEFINITIONS.

Subpart 1. **Scope.** The terms used in this chapter have the meanings given them. Terms not defined in this part have the meanings given them in Minnesota Statutes, section 216D.01.

Subp. 1a. **Abandoned facility.** "Abandoned facility" means an underground facility that is no longer in service and is physically disconnected from a portion of the operating facility that is in use or still carries service. An abandoned facility has been deemed abandoned by the operator.

Subp. 2. **Director.** "Director" means the director of the Office of Pipeline Safety of the Minnesota Department of Public Safety.

Subp. 3. **Good cause to believe.** "Good cause to believe" means grounds put forth in good faith that are not arbitrary, irrational, unreasonable, or irrelevant and that are based on at least one of the following sources:

- A. information from a person;
- B. facts supplied by the notification center defined in Minnesota Statutes, section 216D.01, subdivision 8;
- C. facts of which the director or an agent of the director has personal knowledge; and
- D. information provided by excavators or operators.

Subp. 4. **Locate.** "Locate" means an operator's markings of an underground facility.

Subp. 5. [Renumbered as subp 8]

Subp. 5a. [Renumbered as subp 9]

Subp. 6. [Renumbered as subp 11]

Subp. 7. **Meet.** When used as a noun in this chapter, "meet" refers to a meeting at the site of proposed excavation requested at the time of notice by the excavator with all affected underground facility operators to further clarify the precise geographic location of excavation, schedule locating, propose future contacts, and share other information concerning the excavation and facilities.

Subp. 8. **Office.** "Office" means the Office of Pipeline Safety of the Minnesota Department of Public Safety.

Subp. 9. **Out-of-service facility.** "Out-of-service facility" means an underground facility that is no longer maintained and is not intended for future use, but has not been deemed abandoned. An out-of-service facility may still be connected to a portion of the operating facility that is in use or still carries service.

Subp. 10. **Public right-of-way.** "Public right-of-way" means the area on, below, or above a public roadway, highway, street, cartway, bicycle lane, and sidewalk in which a government unit has an interest, including other rights-of-way dedicated for travel purposes and utility easements of government units.

Subp. 11. **Remuneration.** "Remuneration" means direct or indirect compensation or consideration paid to the person or the person's agent, employer, employee, subcontractor, or contractor. A person who excavates as part of the person's duties as an employee, employer, agent, subcontractor, or contractor is considered to be acting for remuneration.

Subp. 12. **Service lateral.** "Service lateral" means an underground facility that is used to transmit, distribute, or furnish gas, electricity, communications, or water from a common source to an end-use customer. A service lateral is also an underground facility that is used in the removal of wastewater from a customer's premises.

Statutory Authority: *MS s 14.06; 216D.08; 299F.56; 299F.60; 299F.641; 299J.04*

History: *16 SR 135; 24 SR 448; 29 SR 1503*

Published Electronically: *July 20, 2005*

7560.0125 ABANDONED AND OUT-OF-SERVICE FACILITIES.

Subpart 1. **Duty of operators to provide readily available information.** Operators shall provide readily available information, as shown on maps, drawings, diagrams, or other records used in the normal course of business, on the approximate location of abandoned and out-of-service facilities to an excavator by the excavation date and time noted on the excavation or location notice unless otherwise agreed between the excavator and the operator. An operator fulfills an obligation to provide information on these facilities by doing one or more of the following:

A. locating and marking the approximate location of the facility according to the current color code standard used by the American Public Works Association, as required in Minnesota Statutes, section 216D.04, subdivision 3, with an abandoned or out-of-service facility identified by an uppercase A surrounded by a circle;

B. providing informational flags at the area of proposed excavation;

C. communicating information verbally; or

D. providing copies of maps, diagrams, or records.

Subp. 2. **Duty to notify operator.** An excavator shall notify the operator:

A. before moving, removing, or otherwise altering a facility that is thought to be abandoned or out of service; or

B. if damage to the facility occurs, pursuant to Minnesota Statutes, section 216D.01, subdivision 2.

Subp. 3. **Verification of abandoned or out-of-service facility.** Upon receipt of notification by an excavator pursuant to subpart 2, an operator shall verify that an underground facility is abandoned or out of service, by either reference to installation records, testing, or other comparable standard of verification, before an excavator is allowed to move, remove, or otherwise alter an underground facility.

Subp. 4. **Liability.** An operator providing information pursuant to Minnesota Statutes, section 216D.04, subdivision 3, is not responsible to any person for any costs, claims, or damages for information provided in good faith regarding abandoned and out-of-service underground facilities.

Statutory Authority: *MS s 14.06; 216D.08; 299J.04; 299F.60*

History: *24 SR 448*

Published Electronically: *July 20, 2005*

7560.0150 PUBLIC RIGHT-OF-WAY MAPPING AND INSTALLATION.

Subpart 1. **Duty of operator to map.** After December 31, 2005, an operator shall maintain a map, a diagram, a drawing, or geospatial information regarding the location of its underground facility within a public right-of-way installed after that date.

Subp. 2. **Duty to install locating wire.** After December 31, 2005, an operator shall install a locating wire or have an equally effective means of marking the location of each nonconductive underground facility within a public right-of-way installed after that date. This requirement does not apply when making minor repairs to an existing nonconductive facility. As applied to this chapter, "minor repairs" means repairs to or partial replacement of portions of existing service laterals located within a public right-of-way for purposes of routine maintenance and upkeep.

Statutory Authority: *MS s 299J.04*

History: *29 SR 1503*

Published Electronically: *July 20, 2005*

7560.0200 [Repealed, 24 SR 448]

Published Electronically: *July 20, 2005*

7560.0225 EXCAVATOR RESPONSIBILITIES REGARDING A LOCATE.

Subpart 1. [Repealed, 29 SR 1503]

Subp. 2. **Responsibility to protect and preserve.** The excavator is responsible for reasonably protecting and preserving a locate until no longer required for proper and safe excavation near the underground facility. If the excavator has reason to believe a locate is obliterated, obscured, missing, or incorrect, the excavator shall notify the facility operator or notification center in order to have an operator verify, refresh, or re-mark the locate.

Subp. 3. **Use of locate.** A locate is valid for 14 days from the excavation commencement time stated on the excavation or location notice, unless the excavator has made previous arrangements with the operators affected to periodically verify, refresh, or re-mark the locate.

Statutory Authority: *MS s 14.06; 216D.08; 299J.04; 299F.60*

History: *24 SR 448; 29 SR 1503*

Published Electronically: *July 20, 2005*

7560.0250 LOCATE STANDARDS.

Subpart 1. **Facility locate.** Unless otherwise agreed to between the excavator and operator, an operator shall locate an underground facility using stakes, flags, paint, or other suitable materials in varying combinations dependent upon the surface. The locate must be in sufficient detail to clearly identify the approximate route of the underground facility. The locate must also include:

- A. name, abbreviation, or logo of the operator when more than one operator listed on the notice uses the same color markings;
- B. width of the underground facility if it is greater than eight inches; and
- C. number of underground facilities if greater than one.

Subp. 2. **Operator duties in no conflict situation.** After December 31, 2005, an operator who receives notice and determines that an underground facility is not in conflict with the proposed excavation shall complete one or more of the following:

- A. mark the area "NO" followed by the operator's name, abbreviation, or logo in the color code of the underground facility not in conflict;
- B. place a clear plastic flag at the area that:
 - (1) states "N/C" or "NO CONFLICT" in lettering matching the color code of the underground facility that is not in conflict; and
 - (2) includes the operator's name, abbreviation, or logo, the date, a contact telephone number, and the ticket number; or
- C. contact the notification center through procedures required by the notification center and indicate that there are no underground facilities in conflict with the proposed excavation and that no markings or flags were left at the proposed excavation site.

Subp. 3. **Placement of flags or markings.** If using N/C (no conflict) flags or markings pursuant to subpart 2, an operator shall place the flags or markings in a location that can be readily observed by an excavator. When an area of proposed excavation is delineated by the use of white markings, an operator shall place the N/C flags or markings within, or as near as practicable to, the delineated area.

Subp. 4. **Duties of notification center.** After December 31, 2005, the notification center shall make the information received under subpart 2 available to the excavator before the start date and time on the notice. The notification center may fulfill this requirement by making the information accessible through one or more Internet addresses, by transmitting the information to a continuously working facsimile machine maintained by the excavator, or by other methodology developed by the notification center. The notification center shall make available the information received by operators pursuant to this section through

an electronic means. The notification center is not required by this subpart to contact an excavator verbally via telephone.

Statutory Authority: *MS s 299J.04*

History: *29 SR 1503*

Published Electronically: *July 20, 2005*

7560.0300 OPERATOR PARTICIPATES AND SHARES COSTS.

An operator shall participate in and share the costs of the one call excavation notice system by:

- A. submitting the information required by the notification center to allow the center to notify the operator of excavation activity;
- B. updating the information provided to the notification center on a timely basis;
- C. installing and paying for equipment reasonably requested by the notification center to facilitate receipt of notice of excavation from the center;
- D. paying the costs charged by the notification center on a timely basis; and
- E. receiving and responding to excavation notices, including emergency notices, as required by Minnesota Statutes, chapter 216D.

Statutory Authority: *MS s 14.06; 216D.08; 299F.56; 299F.641*

History: *16 SR 135*

Published Electronically: *July 20, 2005*

7560.0325 EMERGENCY EXCAVATION NOTICES.

Subpart 1. **Duty of excavator to provide notice.** An excavator shall provide notice to the notification center before commencing an emergency excavation, unless subpart 2 applies. All emergency notices, regardless whether made prior to excavation, must be verbal or in a manner accepted by the notification center. In addition to the information required by the notification center, the notice must also contain:

- A. a description of the situation requiring the emergency excavation;
- B. the precise location of the proposed area of the emergency excavation;
- C. at least one continuously staffed telephone number where the excavator can be contacted by the operator throughout the emergency; and
- D. the excavation start date and time if the need for excavation is not immediate.

Subp. 2. **Excavating before notice.** If an emergency is such that providing notice or waiting for an operator would result in an undue risk to life, health, or significant loss of property, the excavator may excavate without providing prior notice or waiting for an operator to mark an underground facility. In this situation, the excavator shall provide notice as soon as practicable and take all reasonable precautions to avoid or minimize damage. Excavation prior to notice under this subpart does not relieve an excavator from any responsibility for damage to an underground facility pursuant to Minnesota Statutes, section 216D.06.

Subp. 3. **Emergency notice requesting immediate response.** Upon receiving an emergency excavation notice requesting an immediate response, an operator shall:

A. attempt to contact the excavator within one hour at the telephone number provided in subpart 1, item C, to provide any information concerning facilities at or near the area of excavation including an anticipated response time; and

B. locate and mark the underground facility within three hours of notice unless:

(1) otherwise agreed between the parties;

(2) the operator notifies the excavator that not locating does not present an immediate danger to life or health, or a significant loss of property; or

(3) there is an event or situation that cannot be reasonably anticipated or controlled by the operator.

Subp. 4. **Emergency notice requesting scheduled response.** Upon receiving an emergency excavation notice that does not require an immediate response, and before the scheduled excavation start date and time, an operator shall:

A. locate and mark the underground facility, unless otherwise agreed between the parties; or

B. notify the excavator at the telephone number provided in subpart 1, item C, that there is not an underground facility within the area of proposed excavation.

For purposes of this subpart, a requested start time of three hours or less from the time notice is provided to the center is considered an emergency notice requesting immediate response under subpart 3.

Statutory Authority: *MS s 299J.04*

History: *29 SR 1503*

Published Electronically: *July 20, 2005*

7560.0350 EXCAVATION NOTICE REQUESTING MEET.

Subpart 1. **Excavator duties.** When requesting a meet through the notification center, an excavator must provide at least one contact name and telephone number to assist in facilitating the meet. An excavator shall contact the notification center to cancel or reschedule the meet and the notification center shall relay this information to the affected operators. When a meet is requested, an excavator's notice must include the entire geographic area of the proposed excavation and the specific location of the meet. This part does not relieve an excavator from the duty to provide a precise geographic location of the proposed area of excavation, or to use white markings except where it can be shown that to do so is not practical.

Subp. 2. **Operator duties.** When a meet is requested, an affected operator shall make a reasonable effort to attend the meet at the proposed date and time, or contact the excavator before the meet and reschedule for a mutually agreed date and time.

Subp. 3. **Excavation start date and time.** When a meet is requested, the meet date and time must be at least 48 hours after notice is provided, excluding Saturdays, Sundays, and holidays, and the excavation start date and time must be at least 24 hours after the proposed meet date and time specified on the notice, excluding Saturdays, Sundays, and holidays. This subpart does not apply if these matters are provided for in a written agreement with all affected operators.

Subp. 4. **Meet request documentation.** An excavator shall maintain written documentation of each meet with an underground facility operator or representative. This documentation must be kept for the duration of the excavation conducted under the notice. The documentation must include:

- A. the date and time of each meet;
- B. the names, company affiliations, and contact information of the attendees of each meet;
- C. a diagram, sketch, or description of the precise excavation locations, dates, and times; and
- D. the agreed schedule of any future meets or communications.

Statutory Authority: *MS s 299J.04*

History: *29 SR 1503*

Published Electronically: *July 20, 2005*

7560.0375 LOCATING A SERVICE LATERAL.

Subpart 1. **Operator duties.** Unless otherwise agreed, an underground facility operator shall locate a service lateral before the start date and time on the notice and in accordance with items A through C:

A. An operator of a natural gas, propane, or electric facility shall locate a service lateral up to the meter or the connection to a customer's underground facility, whichever is closer to the end-use customer. If the meter or connection to the customer's underground facility is within a public right-of-way, at a minimum the operator shall locate that portion of the service lateral within the public right-of-way up to the point where the service lateral first leaves the public right-of-way.

B. An operator of a communication facility shall locate a service lateral up to the entry of the first building. If the service lateral does not enter a building, the operator shall locate up to the utilization equipment, fence, or wall that surrounds the equipment.

C. After December 31, 2005, an operator of a sewage or water facility, at a minimum, shall locate that portion of the service lateral within a public right-of-way installed after that date up to the point where the service lateral first leaves the public right-of-way. The operator shall either locate or provide information as shown on maps, drawings, diagrams, or other records, on the location of a sewer or water service lateral installed before January 1, 2006. If no information is available on a sewer or water service lateral installed before January 1, 2006, then notifying the excavator that no information exists fulfills the requirements of this section.

Subp. 2. **Exception.** An operator is not required to locate a service lateral of a customer who currently participates in the statewide notification system, provided the customer and operator mutually agree that the customer will assume locate responsibilities. The agreement must be in writing.

Statutory Authority: *MS s 299J.04*

History: *29 SR 1503*

Published Electronically: *July 20, 2005*

7560.0400 CITATIONS.

Subpart 1. **Notice of violation.** The office shall issue a notice of probable violation when the office has good cause to believe a violation of Minnesota Statutes, sections 216D.01 to 216D.09 or this chapter has occurred.

Subp. 2. **Contents of notice of violation.** A notice of violation must include:

- A. a statement of the statute or rule allegedly violated by the person and a description of the evidence on which the allegation is based;
- B. notice of response options available to the person cited;
- C. notice that the person has 30 days in which to respond;
- D. notice that failure to respond within 30 days precludes administrative review under this chapter; and
- E. if a civil penalty is proposed, the amount of the proposed civil penalty and the maximum civil penalty applicable under law.

Subp. 3. **Receipt of notice.** The notice of violation is deemed received three days after mailing to the person's last known address.

Statutory Authority: *MS s 14.06; 216D.08; 299F.56; 299F.60; 299F.641; 299J.04*

History: *16 SR 135; 24 SR 448*

Published Electronically: *July 20, 2005*

7560.0500 RESPONSE OPTIONS.

The person shall respond to the notice of violation in the following way:

- A. When the notice contains a proposed compliance order, the person shall:
 - (1) agree to the proposed compliance order;
 - (2) request the execution of a consent order;
 - (3) object to the proposed compliance order and submit written explanations, information, or other materials in answer to the allegations in the notice; or
 - (4) request the office to initiate a hearing under Minnesota Statutes, sections 14.50 to 14.69.
- B. When the notice contains a proposed civil penalty, the person shall:
 - (1) pay the penalty and close the case;
 - (2) submit an offer in compromise of the proposed civil penalty;
 - (3) submit a written explanation, information, or other material in answer to the allegations or in mitigation of the proposed civil penalty; or
 - (4) request the office to initiate a hearing under Minnesota Statutes, sections 14.50 to 14.69.
- C. Failure to respond in writing within 30 days precludes administrative review under this chapter. A final order will be issued and penalties will be forwarded for collection.

Statutory Authority: *MS s 14.06; 216D.08; 299F.56; 299F.60; 299F.641; 299J.04*

History: *16 SR 135; 24 SR 448*

Published Electronically: *July 20, 2005*

7560.0600 DIRECTOR REVIEW.

If the person objects to the proposed civil penalty or compliance order and submits written explanations, information, or other materials in response to a notice of violation, within the time specified in part 7560.0500, the director shall review the submissions and determine whether to negotiate further, to change or withdraw the notice of violation, or to initiate a hearing under Minnesota Statutes, sections 14.50 to 14.69.

Statutory Authority: *MS s 14.06; 216D.08; 299F.56; 299F.60; 299F.641; 299J.04*

History: *16 SR 135; 24 SR 448*

Published Electronically: *July 20, 2005*

7560.0700 CONSENT ORDER.

An executed consent order must contain:

- A. an admission by the person of the jurisdictional facts;
- B. a waiver of further procedural steps and the right to seek judicial or administrative review or otherwise challenge or contest the validity of the consent order; and
- C. an agreement that the notice of violation may be used to construe the terms of the consent order.

Statutory Authority: *MS s 14.06; 216D.08; 299F.56; 299F.641*

History: *16 SR 135*

Published Electronically: *July 20, 2005*

7560.0800 CIVIL PENALTIES.

Subpart 1. **Proceedings against excavators.** When the office has good cause to believe that an excavator is engaging or has engaged in conduct that violates Minnesota Statutes, section 216D.04, subdivision 1, 2, or 3; 216D.05, clause (1), (2), (3), or (4); or 216D.06, subdivision 1, or a rule adopted under Minnesota Statutes, section 216D.08, subdivision 4, the office, if appropriate, shall negotiate a civil penalty under Minnesota Statutes, section 216D.08, subdivision 2. A penalty imposed under Minnesota Statutes, section 216D.08, is subject to the contested case and judicial review provisions of Minnesota Statutes, chapter 14. An operator who engages or has engaged in excavation that violates Minnesota Statutes, chapter 216D, is subject to the proceedings specified in subpart 2 and is subject to the penalties specified in subpart 4, item B or C.

Subp. 2. **Proceedings against underground facility operators.** The office may negotiate a civil penalty under item A or B.

A. When the office has good cause to believe that an underground facility operator, other than an operator set forth in item B, is engaging or has engaged in conduct that violates Minnesota Statutes, sections 216D.01 to 216D.07, or a rule adopted under Minnesota Statutes, section 216D.08, subdivision 4, the office, if appropriate, shall negotiate a civil penalty under Minnesota Statutes, section 216D.08, subdivision 2. A penalty imposed under Minnesota Statutes, section 216D.08, is subject to the contested case and judicial review provisions of Minnesota Statutes, chapter 14.

B. When the office has good cause to believe that an operator who engages in the transportation of gas or hazardous liquids or who owns or operates a gas or hazardous liquid pipeline facility is engaging or has engaged in conduct that violates Minnesota Statutes, sections 299F.56 to 299F.641, or a rule adopted under Minnesota Statutes, section 299F.60, subdivision 5, the office, if appropriate, shall negotiate a civil penalty under Minnesota Statutes, section 299F.60, subdivision 2. A penalty imposed under Minnesota Statutes, section 299F.60, is subject to the contested case and judicial review provisions of Minnesota Statutes, chapter 14.

Subp. 3. **Assessment considerations.** In assessing a civil penalty under this part, the office shall consider the following factors:

- A. the nature, circumstances, and gravity of the violation;
- B. the degree of the person's culpability;
- C. the person's history of previous offenses;
- D. the person's ability to pay;
- E. good faith on the part of the person in attempting to remedy the cause of the violation;
- F. the effect of the penalty on the person's ability to continue in business; and
- G. past reports of damage to an underground facility by a person.

Subp. 4. **Maximum penalties.** For the purposes of this part, penalties imposed under this part must not exceed the limits in items A to C.

A. Penalties imposed against excavators must not exceed \$1,000 for each violation per day of violation.

B. Penalties imposed against underground facility operators, other than an operator set forth in item C, must not exceed \$1,000 for each violation per day of violation.

C. Penalties imposed against an operator who engages in the transportation of gas or hazardous liquids or who owns or operates a gas or hazardous liquid pipeline facility must not exceed \$10,000 for each violation for each day that the violation persists, except that the maximum civil penalty must not exceed \$500,000 for a related series of violations.

Subp. 5. **Payment procedure.** The person shall pay a civil penalty that has been proposed, assessed, or compromised by submitting to the office a check or money order in the correct amount, payable to the commissioner of public safety.

Statutory Authority: *MS s 14.06; 216D.08; 299F.56; 299F.60; 299F.641; 299J.04*

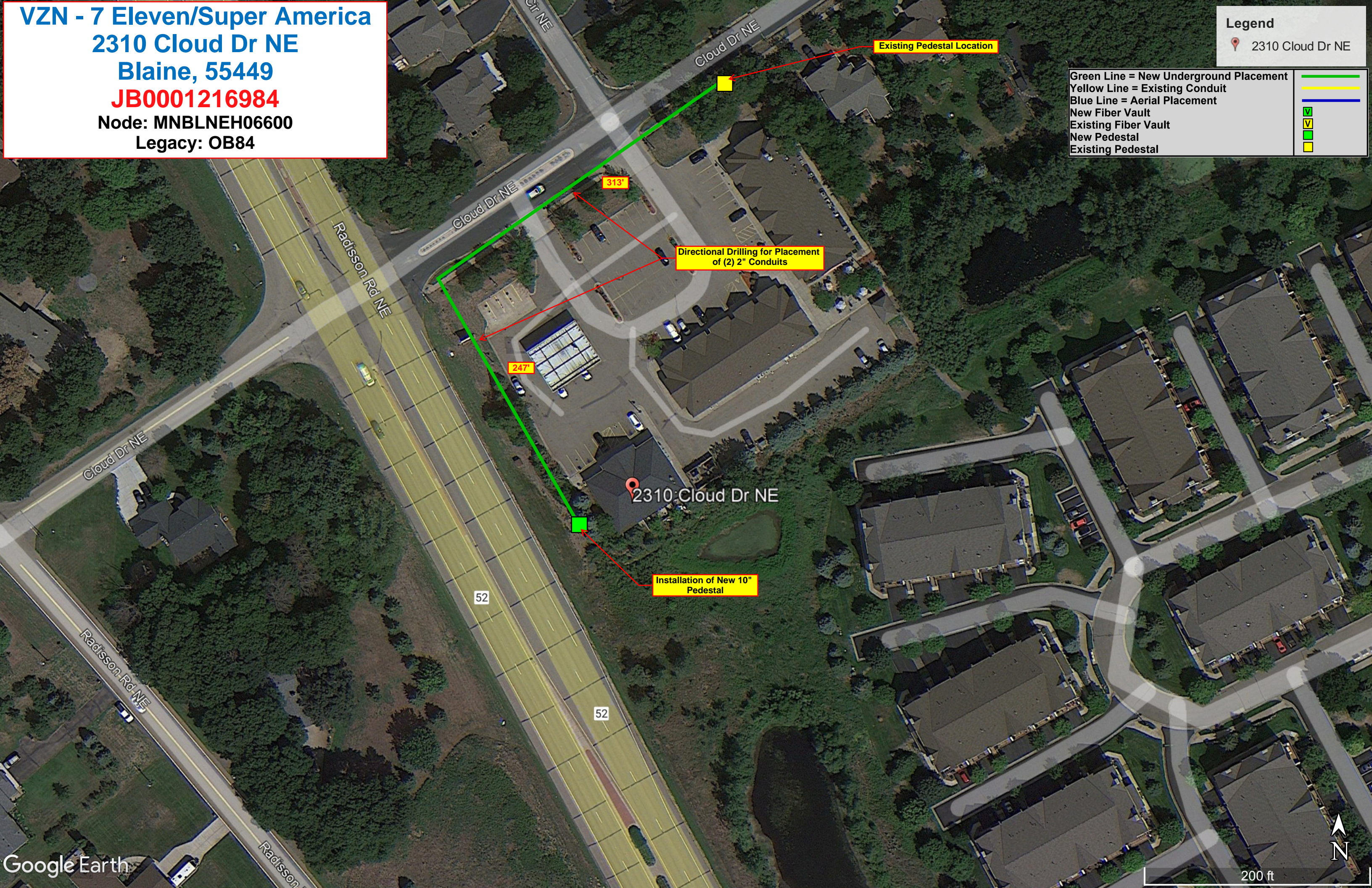
History: *16 SR 135; 24 SR 448*

Published Electronically: *July 20, 2005*

VZN - 7 Eleven/Super America
2310 Cloud Dr NE
Blaine, 55449
JB0001216984
Node: MNBLNEH06600
Legacy: OB84

Legend
📍 2310 Cloud Dr NE

Green Line = New Underground Placement
Yellow Line = Existing Conduit
Blue Line = Aerial Placement
New Fiber Vault
Existing Fiber Vault
New Pedestal
Existing Pedestal



Existing Pedestal Location

Directional Drilling for Placement of (2) 2" Conduits

Installation of New 10" Pedestal

313'

247'

2310 Cloud Dr NE

52

52

200 ft

