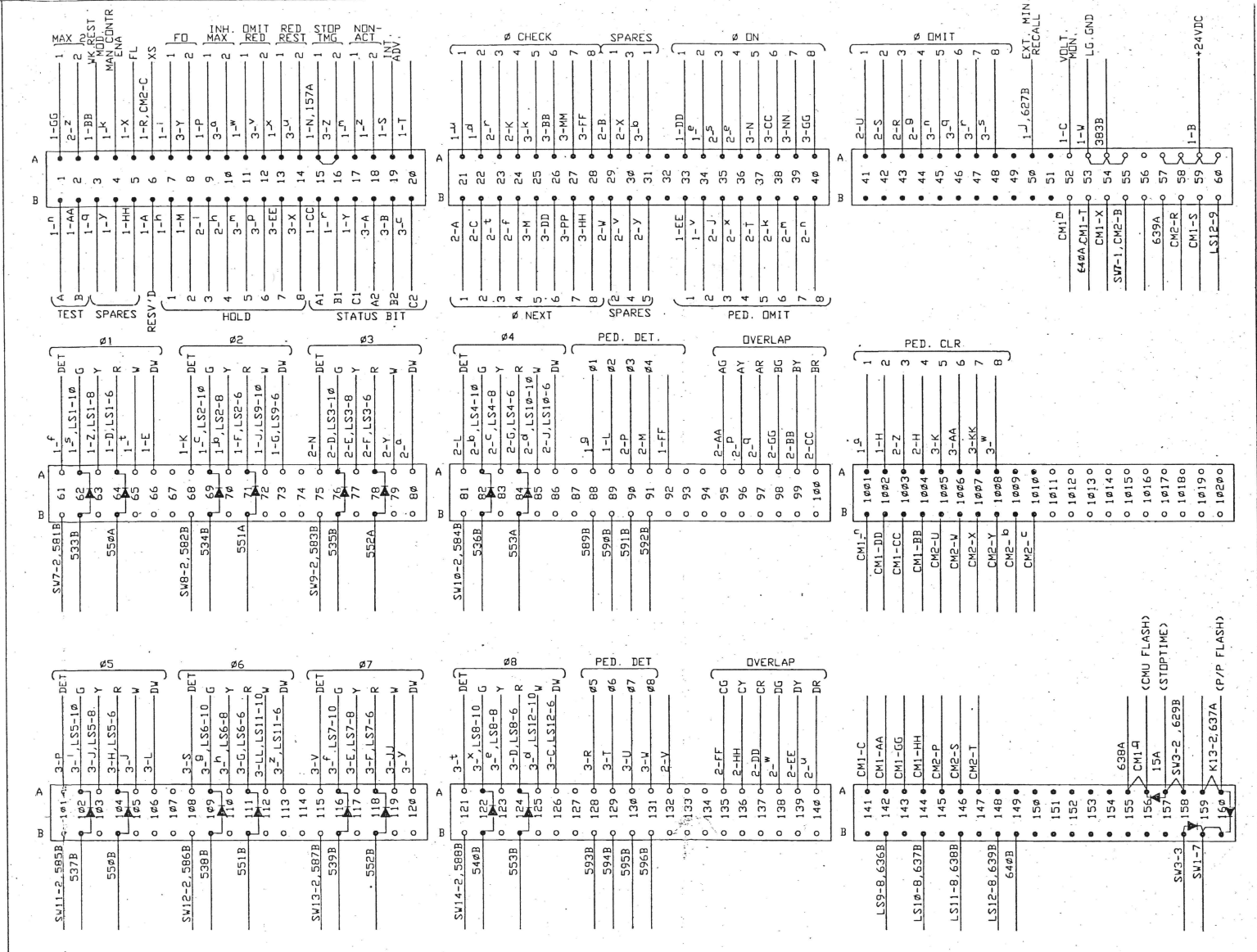
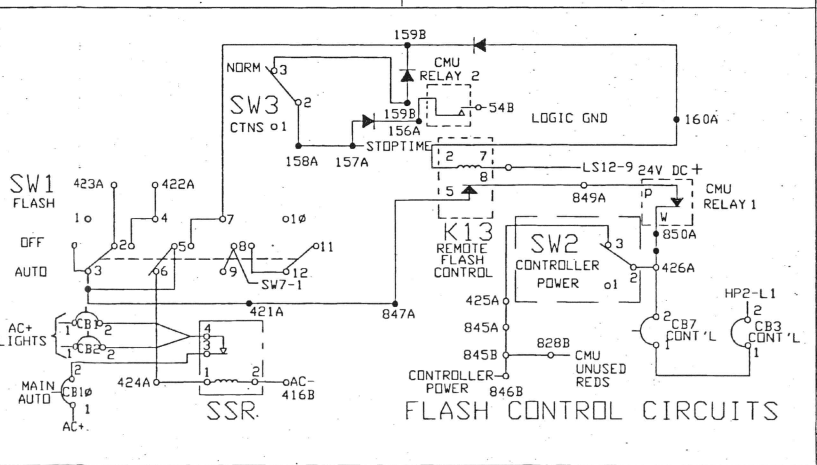
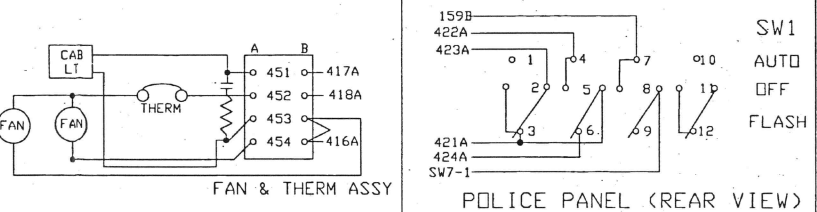
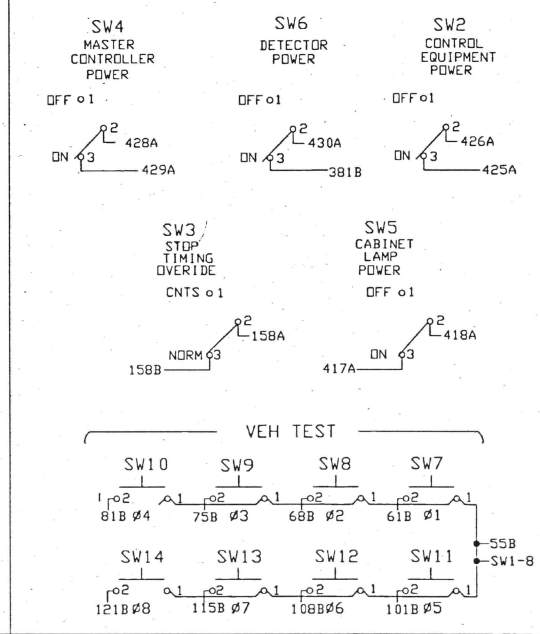


CONTROLLER INTERFACE PANEL

1	2	3
SH SHELL GROUND 1-V	AI #1 PHASE NEXT 21B	AI STATUS BIT A2 18B
AL RESV. 6B	BI SPARE 1 29A	BI STATUS BIT B2 19B
BI 24VDC+ 59A	CI #2 PHASE NEXT 22B	CI #8 DWK 126A
CL VOLTAGE MONITOR 32A	DI #3 GRN 76A	DI #8 RED 124A
DI #1 RED 64A	EI #3 YEL 77A	EI #7 YEL 117A
EI #1 DWK 66A	FI #3 RED 78A	FI #7 RED 118A
FI #2 RED 71A	GI #4 RED 84A	GI #6 RED 111A
GI #2 DWK 73A	HI #4 PCL 100A	HI #5 RED 104A
HI #2 PCL 100A	JI #4 DWK 86A	JI #5 YEL 103A
JL #2 VEH DET 68A	KI #4 CHECK 24A	KI #5 PCL 100A
KL #2 PED DET 89A	LI #4 VEH DET 81A	LI #5 DWK 106A
ML #2 HOLD 88	MI #4 PED DET 91A	MI #5 PHASE NEXT 25B
NI STOP TIMING 1 15A	NI #4 VEH DFT 75A	NI #5 PHASE ON 37A
PI EXTERNAL START 9A	PI #3 PED DET 99A	PI #5 VEH DET 101A
RI INTERVAL ADVANCE 19A	RI #3 PHASE OMIT 43A	RI #5 PED DET 128A
SI INDICATOR LAMP CONT 28A	SI #2 PHASE OMIT 42A	SI #6 VEH DET 108A
UI AC- NEUTRAL NB1	TI #5 PED OMIT 37B	TI #6 PED DET 129A
VI CHASSIS GROUND 681	UI #1 PHASE OMIT 41A	UI #7 PED DET 130A
WI LOGIC GROUND 53A	VI PED RECYCLE 2 132A	VJ #7 VEH DET 115A
XI FLASH LOGIC OUT 5A	WI SPARE 2 29B	WI #8 PED DET 131A
YI STATUS BIT C1 17B	XI SPARE 3 30A	XJ #8 HOLD 14B
ZI #1 YEL 63A	YI #3 WK 79A	YJ FORCE OFF 2 8A
AI #1 PCL 100A	ZI #3 PCL 100A	ZJ STOP TIME 2 16A
BI #2 YEL 100A	AI #3 DWK 80A	AI INHIBIT MAX TERM 2 19A
CI #2 GRN 76A	BI #4 GRN 81A	BI SPARE 1 31A
DI #2 CHECK 69A	CI #4 YEL 83A	CI STATUS BIT C2 20B
EI #2 PHASE ON 22A	DI #4 WALK 125A	DI #8 WK 102A
FI #1 VEH DET 61A	EI #4 PHASE ON 85A	EJ #8 YEL 123A
GI #1 HOLD 88A	FI #4 PHASE NEXT 36A	FI #7 GRN 116A
HI #1 HOLD 7B	GI #4 PHASE OMIT 24B	GI #6 GRN 109A
IJ FORCE OFF 1 7A	HI #4 HOLD 10B	HJ #6 YEL 110A
KJ EXT MIN RECALL ALL 50A	IJ #3 HOLD 9B	IJ #5 GRN 102A
KL MAN. CONTROL ENABLE 4A	JJ #3 PED OMIT 35B	JJ #5 WK 195A
ML CALL TO NON-ACT 1 17A	KJ #6 PED OMIT 38B	KJ #5 HOLD 25A
NI TEST INPUT A 1B	KL #7 PED OMIT 39B	KL #5 PHASE OMIT 11B
PI AC+ CONTROL 846B	ML #4 YEL 96A	ML #6 HOLD 45A
QI SPARE 1 3B	PL #4 RED 97A	PL #6 PHASE OMIT 12B
RI STATUS BIT B1 16B	RI #3 PHASE ON 23A	RI #7 PHASE OMIT 46A
SI #1 GRN 62A	SI #3 PHASE ON 35A	SI #9 PHASE OMIT 47A
TJ #1 WK 65A	TJ #3 PHASE NEXT 23B	SI #9 VEH DET 48A
UI #1 CHECK 21A	UI #3 RED 140A	TJ RED REST MODE 2 121A
VJ #2 PED OMIT 34B	VJ SPARE 4 30B	UI OMIT RED CLR 2 14A
WI OMIT RED CLR 11A	WI #4 GRN 130A	WJ #8 PCL 100A
XI RED REST MODE 1 13A	XJ #4 PED OMIT 36B	XJ #8 GRN 122A
YI SPARE 2 4B	YJ SPARE 5 31B	YJ #7 DWK 120A
ZI CALL TO NON-ACT 11 18A	ZJ MAX 2 SELECT 2 2A	ZJ #6 DWK 113A
AA TEST INPUT B 2B	AA #4 GRN 95A	AA #6 PCL 100A
BB WALK REST MODIFIER 3B	BB #4 YEL 99A	BB #6 CHECK 26A
CC STATUS BIT A1 5A	CC #4 RED 100A	CC #6 PHASE ON 38A
DD #1 PHASE ON 33A	DD #4 C RED 137A	DD #6 PHASE NEXT 26B
EE #1 PED OMIT 33B	EE #4 D YEL 139A	EE #7 HOLD 13B
FF PED RECYCLE 1 92A	FF #4 C GRN 135A	FF #8 CHECK 28A
GG MAX 2 SELECT 1A	GG #4 B GRN 98A	GG #8 PHASE ON 40A
HH SPARE 3 5B	HH #4 C YEL 136A	HH #8 PHASE NEXT 28B
		JJ #7 WK 119A
		KK #7 PCL 100A
		LL #6 WK 112A
		MM #7 CHECK 27A
		NN #7 PHASE ON 39A
		PP #7 PHASE NEXT 27B



AUX PANEL (REAR VIEW)



REV	DATE	REVISION
1	11/24/98	
2		
3		

TITLE	REV. STATUS
MNDOT 1998 'R' & 'P' CABINET	
SHEET 1 2 3	
REV A A A	

FILE	SCALE	REV A	SHEET 2 OF 3
MNDOT			

