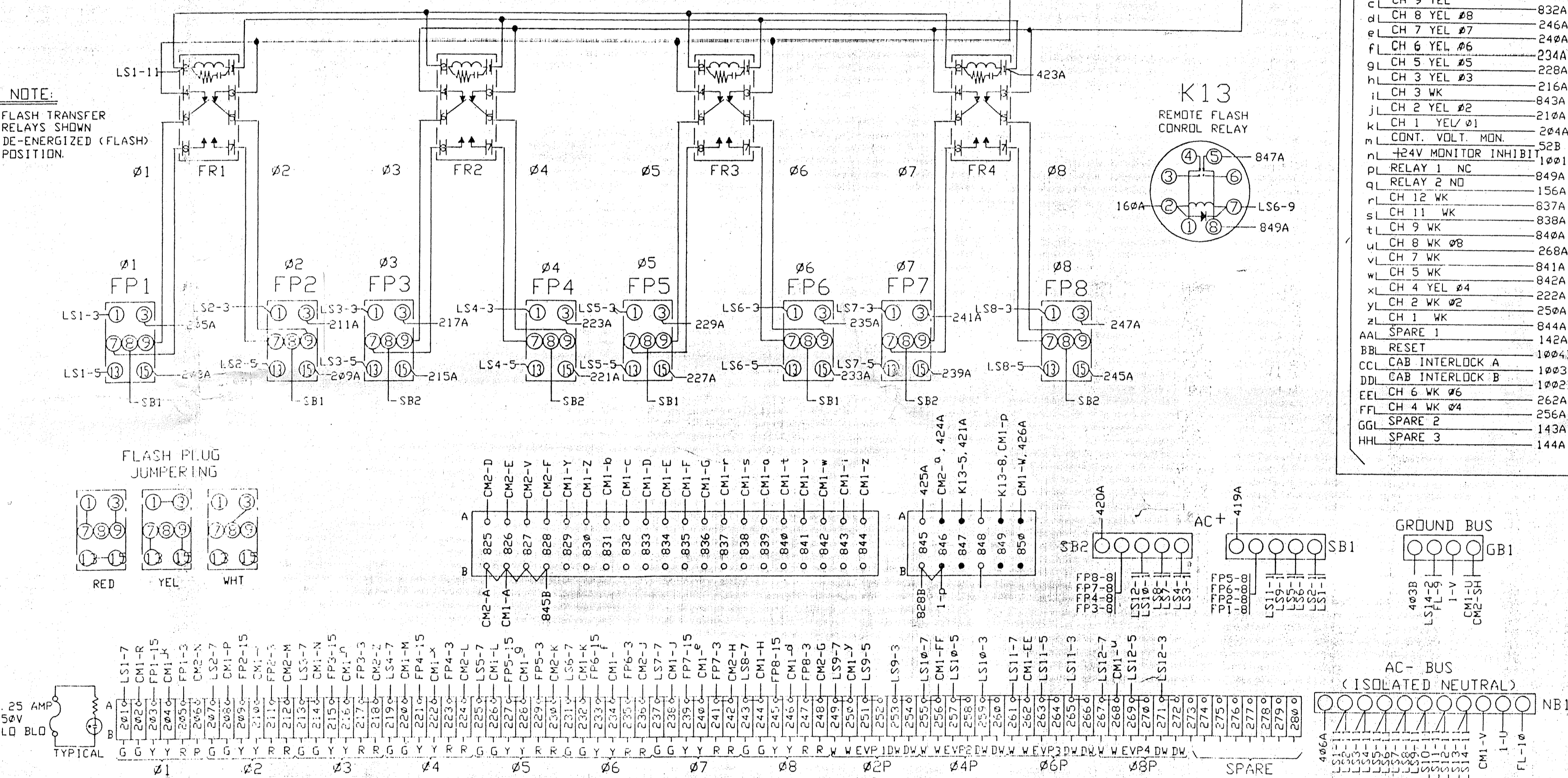


NOTE: 305, 310, 315, 320, 325, 330, 335, 340, 347, 352, 357, 362, 367 AND 372 ARE INTERCONNECTED BY THE WIEDMULLER MOUNTING RAIL.

LS	CONT	Ø	PLAN															
			1	2	3	4	5	6	7	8	9	10	11	12	13	14		
IN	GREEN / WALK	1Ø	62A	69A	76A	82A	102A	109A	116A	122A	72A	85A	112A	125A				
OUT	YELLOW/PED CLR	8	63A	70A	77A	83A	103A	110A	117A	123A	142B	144B	146B	148B				
UT	RED/DON'T WALK	6	64A	71A	78A	84A	104A	111A	118A	124A	73A	86A	113A	126A				
P	GREEN / WALK	7	2Ø1A	2Ø7A	213A	219A	225A	231A	237A	243A	249A	255A	261A	267A				
WE	YELLOW	5	FP1-13	FP2-13	FP3-13	FP4-13	FP5-13	FP6-13	FP7-13	FP8-13	251A	257A	263A	269A				
R	RED/DON'T WALK	3	FP1-1	FP2-1	FP3-1	FP4-1	FP5-1	FP6-1	FP7-1	FP8-1	253A	259A	265A	271A				
	+24 VDC	9	<															
	CHASSIS GROUND	2	<															
	AC NEUTRAL	11	NB1	FR1-2	NB1	NB1	NB1	NB1	NB1	NB1	NB1	NB1	NB1	NB1	NB1	NB1	NB1	NB1
	115 VAC	1	SB1	SB1	SB2	SB2	SB1	SB1	SB2	SB2	SB1	SB2	SB1	SB2	SB1	SB2	SB1	SB2



TIGHTENING TORQUE SPECIFICATIONS

SCREW SIZE	6-32	Ø-28	10-32
POUND INCHES	12	16	25
BLOCK TYPE	SAK56	RK6-10	AK35R
POUND INCHES	10.5	16	35
BLOCK TYPE	ZB55	ZB10	
POUND INCHES	35.5	17.75	

VEHICLE SIGNALS

SIGNAL	TERMINAL		
	G	Y	R
2-1	207	209	211
2-2	208	210	212
2-3	207	209	211
2-4	208	210	212
4-1	219	221	223
4-2	220	222	224
4-3	219	221	223
6-1	231	233	235
6-2	232	234	236
6-3	231	233	235
6-4	232	234	236
8-1	243	245	247
8-2	244	246	248
8-3	243	245	247

VEH DETECTORS

DET	TERMINAL
D1-1	303-304
D1-2	306-307
D2-1	345-346
D2-2	348-349
D4-1	313-314
D4-2	355-356
D4-3	358-359
D5-1	308-309
D5-2	311-312
D6-1	350-351
D6-2	352-353
D8-1	316-317
D8-2	318-319
D8-3	323-324
D8-4	326-327

PED SIGNALS

SIGNAL	TERMINAL
P2-1	249 253
P2-2	250 254
P4-1	255 259
P4-2	256 260
P6-1	261 265
P6-2	262 266
P8-1	267 271
P8-2	268 272

PED PUSHBUTTONS

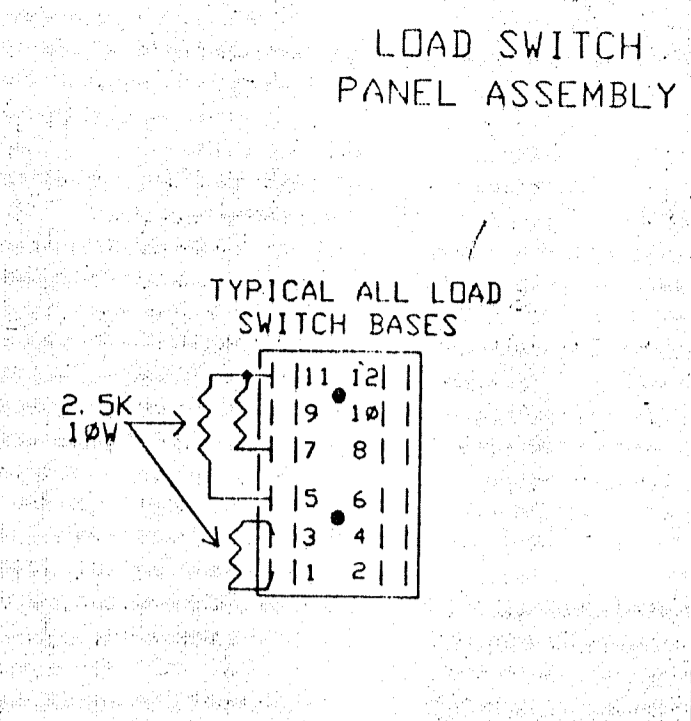
PPB	TERMINAL
PB2-1,2	301
PB4-1,2	302
PB6-1,2	343
PB8-1,2	344

EVP CONFIRMATORY LIGHTS

CONTR. CHAN.	PHASES	PDLE #	TERM
1	-6	4	251
2	2-	2	251
3	4/8	3	257
4	8/4	1	257

NOTES

1) IF EVP HEADS ARE INSTALLED JUMPER 367B TO 369B AND / OR 335B TO 337B



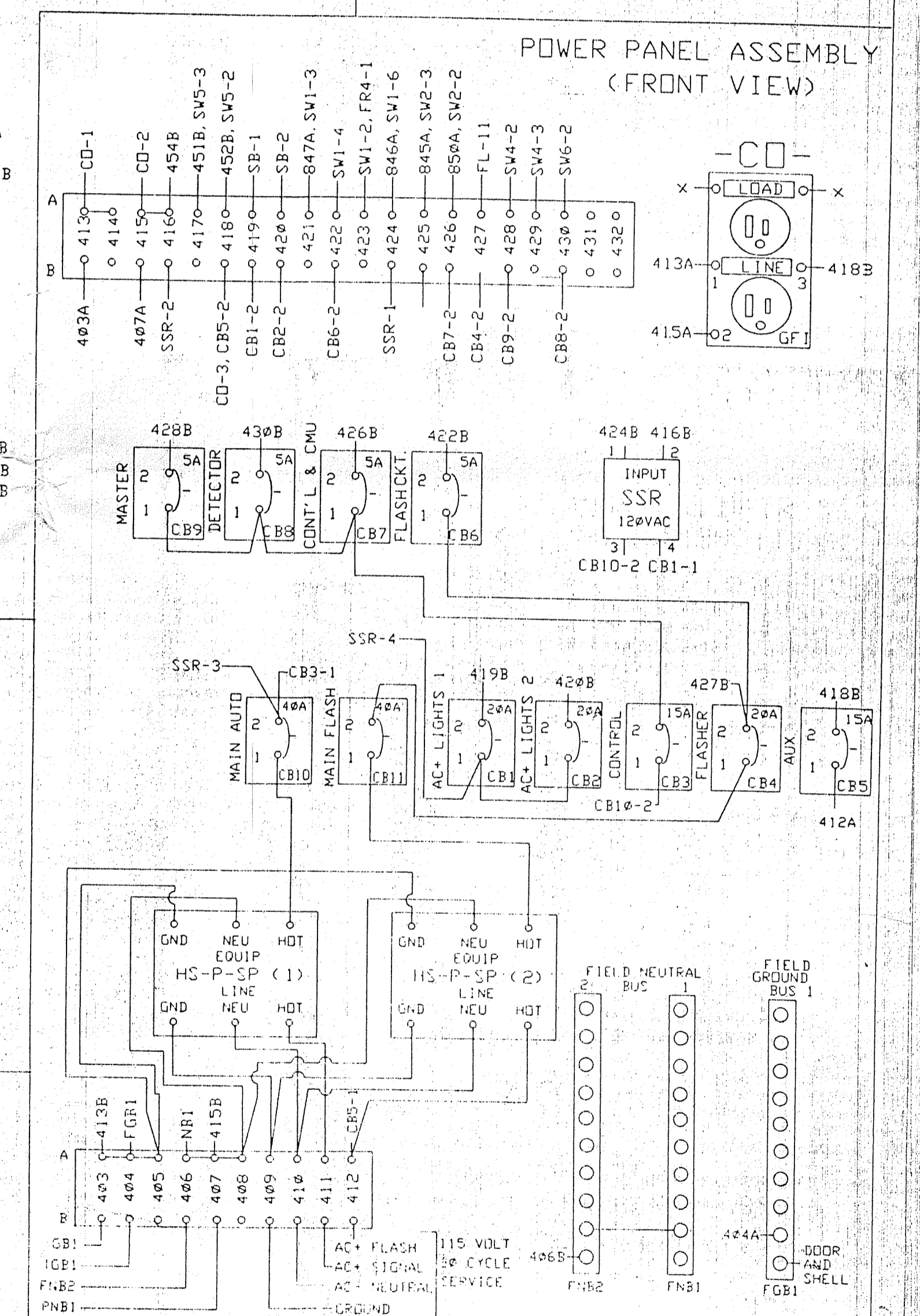
NEMA 12CH CONFLICT MONITOR

CM1	CM2
SHL SHELL GROUND	GB1
AL AC+II	825B
BL RELAY 1 NO	148A
CL RELAY 2 NC	141A
DL CH 12 GRN	833A
EL CH 11 GRN	834A
FL CH 10 GRN	835A
GL CH 9 GRN	836A
HL CH 8 GRN	244A
IL CH 7 GRN	238A
JL CH 6 GRN	232A
KL CH 5 GRN	226A
LL CH 4 GRN	220A
ML CH 3 GRN	214A
NL CH 2 GRN	208A
PL CH 1 GRN	202A
RL +24V MONITOR I	59B
SL SPARE 2	53B
TL CHASSIS GROUND	SHELL
UL AC (NEUTRAL)	NB1
VL RELAY 1 COMMON (AE)	859A
XL RELAY 2 COMMON (LG)	54B
YL CH 12 YEL	829A
ZL CH 11 YEL	830A
al CH 10 WK	839A
bl CH 9 YEL	831A
cl CH 8 YEL	832A
dl CH 7 YEL	246A
el CH 6 YEL	240A
fl CH 5 YEL	234A
gl CH 4 YEL	228A
hl CH 3 YEL	216A
il CH 2 YEL	843A
jl CH 1 YEL	210A
kl CH 1 YEL	204A
m CONT. VOLT. MON.	52B
n +24V MONITOR INHIBIT	1001B
pl RELAY 1 NC	849A
ql RELAY 2 NO	156A
rL CH 12 WK	837A
sL CH 11 WK	838A
tL CH 9 WK	840A
uL CH 8 WK	268A
vL CH 7 WK	841A
wL CH 5 WK	842A
xL CH 4 YEL	222A
yl CH 2 WK	250A
zl CH 1 WK	844A
AAL SPARE 1	142A
BBL RESET	1004B
CCL CAB INTERLOCK A	1003B
DDL CAB INTERLOCK B	1002B
EEL CH 6 WK	846A
FL CH 4 WK	262A
GGI SPARE 2	256A
HHL SPARE 3	143A
	144A

CONFLICT MONITOR MATRIX PROGRAMMING INSTRUCTIONS

1-2	2-3	3-4	4-5	5-6	6-7	7-8	8-9	9-10	10-11	11-12
1-3	2-4	3-5	4-6	5-7	6-8	7-9	8-10	9-11	10-12	
1-4	2-5	3-6	4-7	5-8	6-9	7-10	8-11	9-12		
1-5	2-6	3-7	4-8	5-9	6-10	7-11	8-12			
1-6	2-7	3-8	4-9	5-10	6-11	7-12				
1-7	2-8	3-9	4-10	5-11	6-12					
1-8	2-9	3-10	4-11	5-12						
1-9	2-10	3-11	4-12							
1-10	2-11	3-12								
1-11	2-12									
1-12										

CHANNEL-Ø COMBINATIONS NOT PINNED WITH MATRIX JUMPERS CONSTITUTE CONFLICTING MOVEMENTS. TO PROGRAM, CIRCLE PERMISSIVE COMBINATIONS AND INSTALL JUMPERS ON CORRESPONDING PINS ON THE PROGRAM CARD.



CONTROLLER INTERFACE PANEL

1	2	3
SH SHELL GROUND 1-V	A1 #1 PHASE NEXT 21B	A1 STATUS BIT A2 18B
AL RESV. 6B	B1 SPARE 1 29A	B1 STATUS BIT B2 19B
BL 24VDC+ 59A	C1 #2 PHASE NEXT 22B	BL #8 DVK 126A
CL VOLTAGE MONITOR 52A	D1 #3 GRN 76A	DL #8 RED 124A
DL #1 RED 64A	E1 #3 YEL 77A	EL #7 YEL 117A
EL #1 DVK 66A	F1 #3 RED 78A	FL #6 RED 118A
FL #2 RED 71A	G1 #4 RED 84A	GL #5 RED 111A
GL #2 DVK 73A	H1 #4 PCL 1004A	HL #5 YEL 104A
HL #2 PCL 1002A	J1 #4 DVK 86A	JL #5 PCL 103A
KL #2 WK 72A	K1 #4 CHECK 24A	KL #5 DVK 1005A
LL #2 VEH DET 68A	L1 #4 VEH DET 81A	LL #5 PHASE NEXT 106A
ML #2 HOLD 91A	M1 #4 PED DET 91A	ML #5 PHASE ON 25B
N1 STOP TIMING 15A	N1 #3 VEH DET 75A	NL #5 PHASE DN 37A
PL INHIBIT MAX TERM 1 9A	P1 #3 PED DET 90A	PL #5 VEH DET 101A
R1 EXTERNAL START 6A	R1 #3 PHASE OMIT 43A	RL #5 PED DET 128A
S1 INTERVAL ADVANCE 19A	S1 #2 PHASE OMIT 42A	SL #6 VEH DET 109A
T1 INDICATOR LAMP CONT 29A	T1 #5 PED OMIT 37B	TL #6 PED DET 129A
UL AC-NEUTRAL 18B	UL #1 PHASE OMIT 41A	UL #7 VEH DET 136A
V1 CHASSIS GROUND 61A	V1 PED RECYCLE 2 132A	VL #7 VEH DET 115A
W1 LOGIC GROUND 29B	W1 SPARE 2 29B	WL #8 PED DET 131A
X1 FLASH LOGIC OUT 5A	XL SPARE 3 38A	XL #8 HOLD 14B
Y1 STATUS BIT C1 17B	YL #3 WK 79A	YL FORCE OFF 2 8A
Z1 #1 PCL 63A	Z1 #3 PCL 79A	Z1 STOP TIME 2 16A
01 #1 PCL 1001A	01 #3 DVK 1003A	01 INHIBIT MAX TERM 2 10A
a1 #2 YEL 74A	a1 #4 GRN 80A	a1 SPARE 1 31A
c1 #2 GRN 69A	c1 #4 YEL 82A	c1 STATUS BIT C2 20B
d1 #2 CHECK 22A	d1 #4 WALK 83A	d1 #8 WK 125A
e1 #2 PHASE ON 34A	e1 #4 PHASE ON 85A	e1 #8 YEL 123A
f1 #1 VEH DET 61A	f1 #4 PHASE NEXT 36A	f1 #7 GRN 116A
g1 #1 PED DET 88A	f1 #4 PHASE OMIT 24B	f1 #6 GRN 116A
h1 #1 HOLD 7B	g1 #4 PHASE OMIT 44A	h1 #6 YEL 116A
i1 FORCE OFF 1 7A	h1 #4 HOLD 10B	h1 #5 GRN 102A
j1 EXT MIN RECALL ALL 50A	i1 #3 HOLD 9B	j1 #5 WK 105A
k1 MAN. CONTROL ENABLE 4A	j1 #3 PED OMIT 35B	k1 #5 CHECK 25A
m1 CALL TO NON-ACT 1 17A	k1 #6 PED OMIT 38B	n1 #5 HOLD 11B
n1 TEST INPUT A 1B	l1 #8 PED OMIT 40B	n1 #5 PHASE OMIT 45A
p1 AC CONTROL 846B	l1 #4 A YEL 96A	o1 #5 HOLD 12B
q1 SPARE 1 3B	l1 #4 D RED 97A	o1 #6 PHASE OMIT 46A
r1 STATUS BIT B1 16B	l1 #3 CHECK 23A	o1 #7 PHASE OMIT 47A
s1 #1 GRN 62A	s1 #3 PHASE ON 35A	s1 #8 PHASE OMIT 48A
t1 #1 WK 65A	t1 #3 PHASE NEXT 23B	t1 #8 VEH DET 121A
u1 #1 CHECK 21A	u1 #4 D GRN 140A	u1 REM REST MODE 2 14A
v1 #2 PED OMIT 34B	v1 SPARE 4 30B	v1 #10 INT LOCK SS 12A
w1 DMIT RED CLR 11A	w1 #4 D GRN 138A	w1 #8 PCL 1008A
x1 RED REST MODE 1 13A	x1 #4 PED OMIT 36B	x1 #8 GRN 122A
y1 SPARE 2 4B	y1 SPARE 5 31B	y1 #7 DVK 120A
z1 CALL TO NON-ACT 1 18A	z1 MAX 2 SELECT 2 113A	z1 #6 DVK 120A
AA1 TEST INPUT B 2B	AA1 #4 GRN 95A	AA1 #6 PCL 1006A
BB1 WALK REST MODIFIER 3A	BB1 #4 B YEL 99A	BB1 #6 CHECK 26A
CC1 STATUS BIT A1 15B	CC1 #4 B RED 100A	CC1 #6 PHASE ON 39A
DD1 #1 PHASE ON 33A	DD1 #4 C RED 137A	DD1 #6 PHASE NEXT 26B
EE1 #1 PED OMIT 33B	EE1 #4 D YEL 139A	EE1 #7 HOLD 13B
FF1 PED RECYCLE 1 92A	FF1 #4 C GRN 135A	FF1 #8 CHECK 29A
GG1 MAX 2 SELECT 1A	GG1 #4 B GRN 98A	GG1 #8 PHASE ON 49A
HH1 SPARE 3 5B	HH1 #4 C YEL 136A	HH1 #8 PHASE NEXT 28B
		JJ1 #7 WK 119A
		KK1 #6 WK 1007A
		LL1 #7 CHECK 112A
		MM1 #7 PHASE DN 27A
		NN1 #7 PHASE NEXT 39A
		PP1 #7 PHASE NEXT 27B

SHEATHING IS 70"

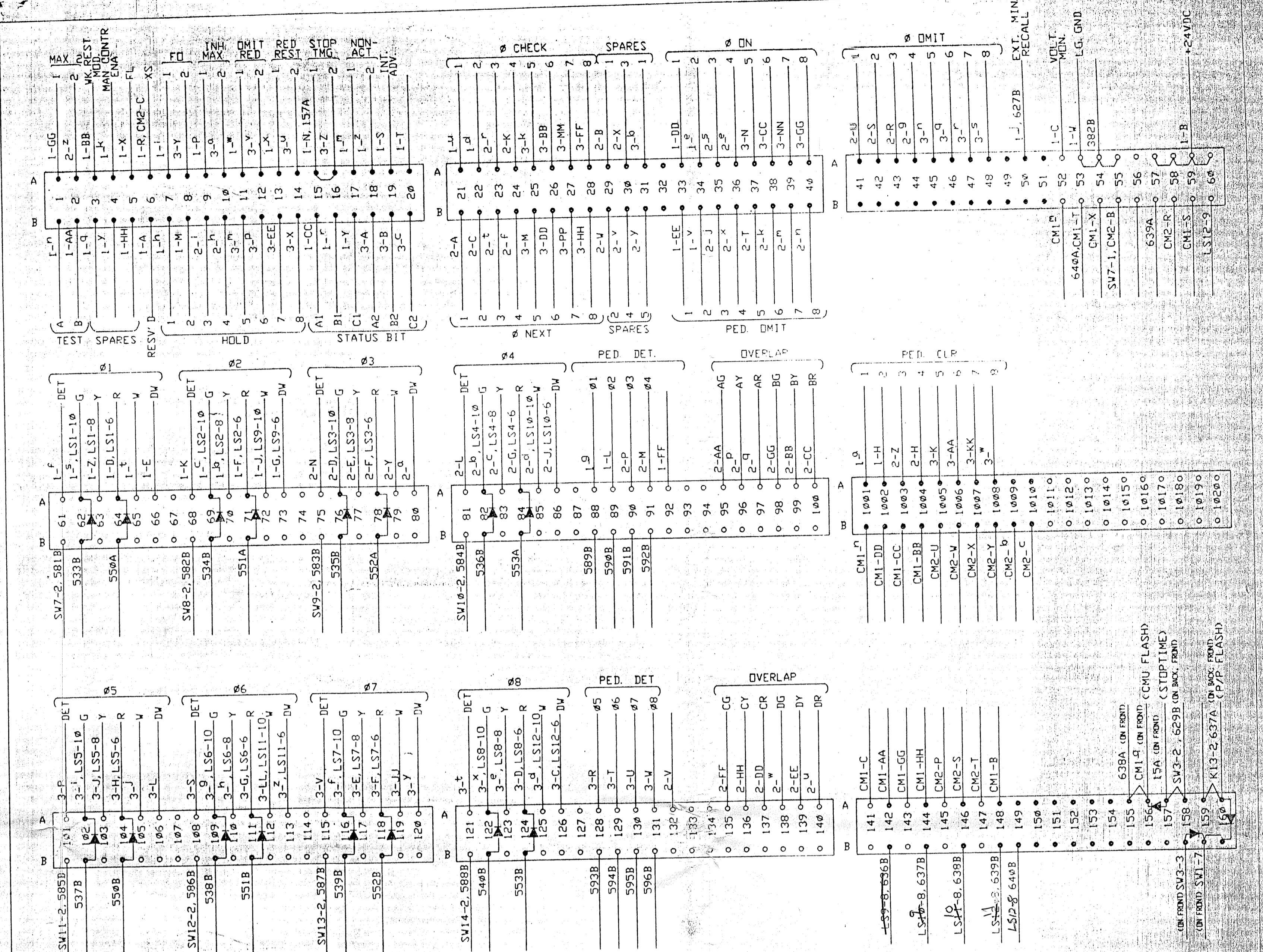
SHEATHING IS 73"

LOADBOY

Qty	Description	Mfr. Pt. #	Manufacturer
2	block, 20 pt. closed back	73120	Vernitron
10	block, 20 pt. feegthrough	73620	Vernitron
8	block, 20 pt. feegthrough	73620-59	Vernitron
2	block, 6pt. closed back	73106	Vernitron
2	bolt, 10-32x5/16"	10-32x5/16 SS SPMS	Adams
38	bolt, 8-32x1/4"	8-32x1/4 SS SPMS	Adams
49	bolt, 8-32x1/2"	8-32x1/2 SS SPMS	Adams
4	bolt, 8-32x1/4"	8-32x1/4 SS SPMS	Adams
3	bus bar, 3.625"	34890	Veidmuller
1	bus bar, 6.25"	34890	Veidmuller
1	cabl "A", blue, UL1015, 20AWG, 116'	CABLE A	TSC
1	cabl "B", blue, UL1015, 20AWG, 116'	CABLE B	TSC
1	cabl "C", blue, UL1015, 20AWG, 116'	CABLE C	TSC
1	cabl "CM1", red, UL1015, 20AWG, 116'	CABLE CM1	TSC
1	cabl "CM2", red, UL1015, 20AWG, 116'	CABLE CM2	TSC
25	clamp, small, ZB10	126130	Veidmuller
56	contact, female, flash plug	02-09-1104D	Molex
80	contact, male, flash plug	02-09-2103	Molex
1	cover, lexan, 1.75" x 12"	LEXANL040BACK	Codillac
1	cover, lexan, 2.25" x 15"	LEXANL040FRNT	Codillac
1	cover, SIMBA BLACK, 118" thick, 1.9"x2.895"	COVER, HDLE, FR5	Codillac
191	crimp, spade, 18-22 AWG	320665	AMP
20	diode, blocking	1N4005	Motorola
12	grommet, large	486000703B	Lifetime
17	grommet, small	486000547B	Lifetime
8	insulator, bus bar	29986	Veidmuller
109	juniper, between blocks	3620	Wrico
14	juniper, curved	7833	Vernitron
2	label, "High Voltage", small	PLD-67	Panduit
2	mounts, cable tie, small	TC5828	T&B
1	panel, loadboy	9601	Excel
1	panel, loadswitch support	9202	Excel
8	plug, flash, red	03-09-2154R	Molex
4	plug, flash, white	03-09-2154	Molex
4	plug, flash, yellow	03-09-2154	Molex
36	resistor, 2.5K, 7.5W min	20J2K5	Ohmite
1	silkscreen load switch support	9202-S	SilkScreen
1	silkscreen loadboy	9601-S	SilkScreen
4	snubber	KE0472	Dkaya
8	socket, flash plug	03-09-1151	Molex
4	socket, flash relay	S3-5408-LAB	Vernitron
1	socket, flasher	S3-5406-LAB	Vernitron
14	socket, loadswitch	S3-5412-LAB	Vernitron
1	socket, octal, relay	SR2P-51	Vernitron
3	standoff, 1.25"	8433	Keystone
2	standoff, 1.625"	8436	Keystone
5	tag, cable	8409-0356	SPC Products
8	washer, #10, internal lock	#10 INT LOCK SS	Adams
38	washer, #6, internal lock	#6 INT LOCK SS	Adams
48	washer, #8, internal lock	#8 INT LOCK SS	Adams
5	wingnuts, 8-32, nylon	0600932VN	Adams

Hinge Panel

Qty	Description	Mfr. Pt. #	Manufacturer
1	bolt, 10-32x1/4"	10-32x1/4 SS SPMS	Adams
0	11/16" hinge, 2" pieces	NA570-1172	Austin
1	panel, hinge	9603	Strand
16	washer, #10, internal lock	#10 INT LOCK SS	Adams

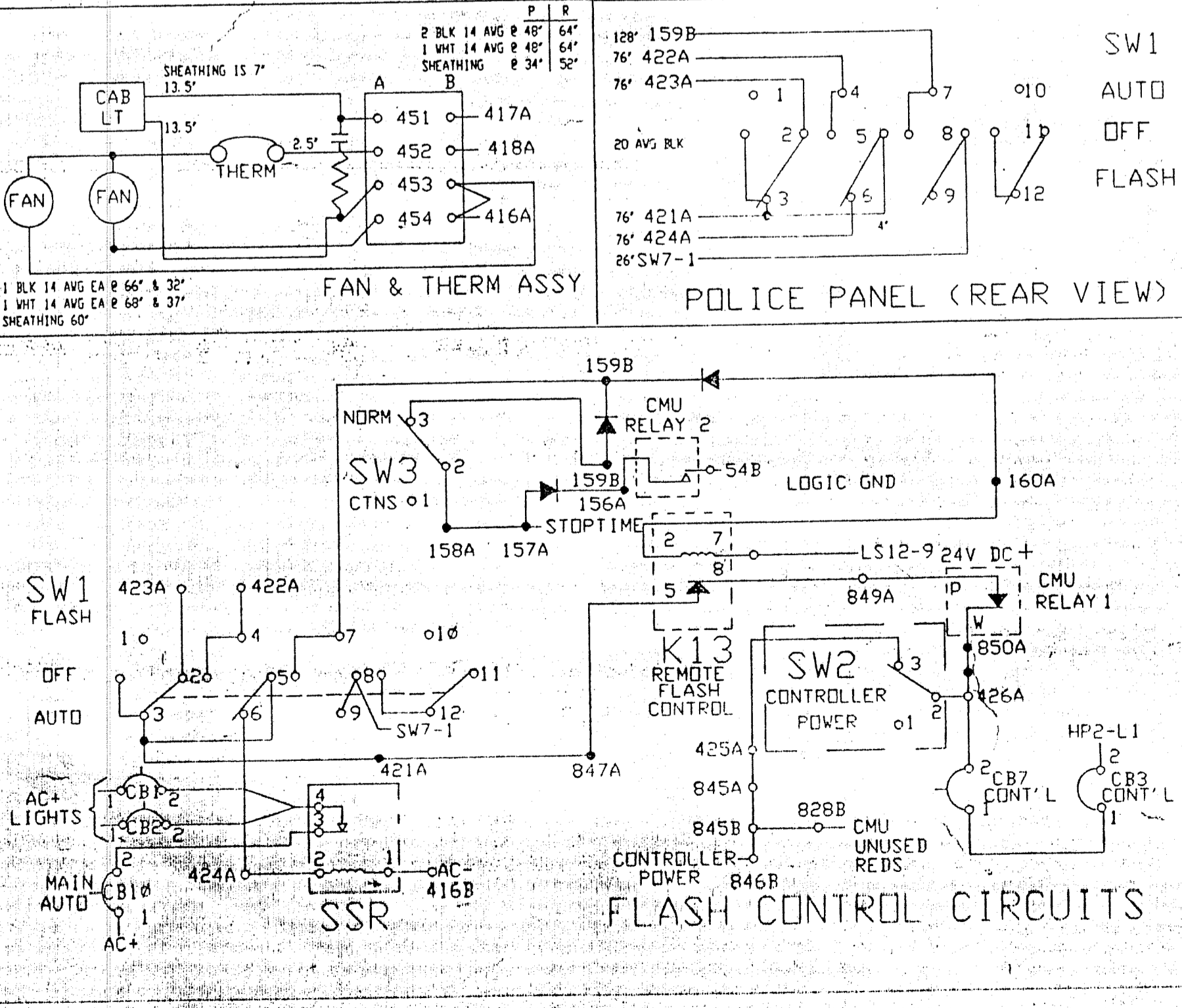
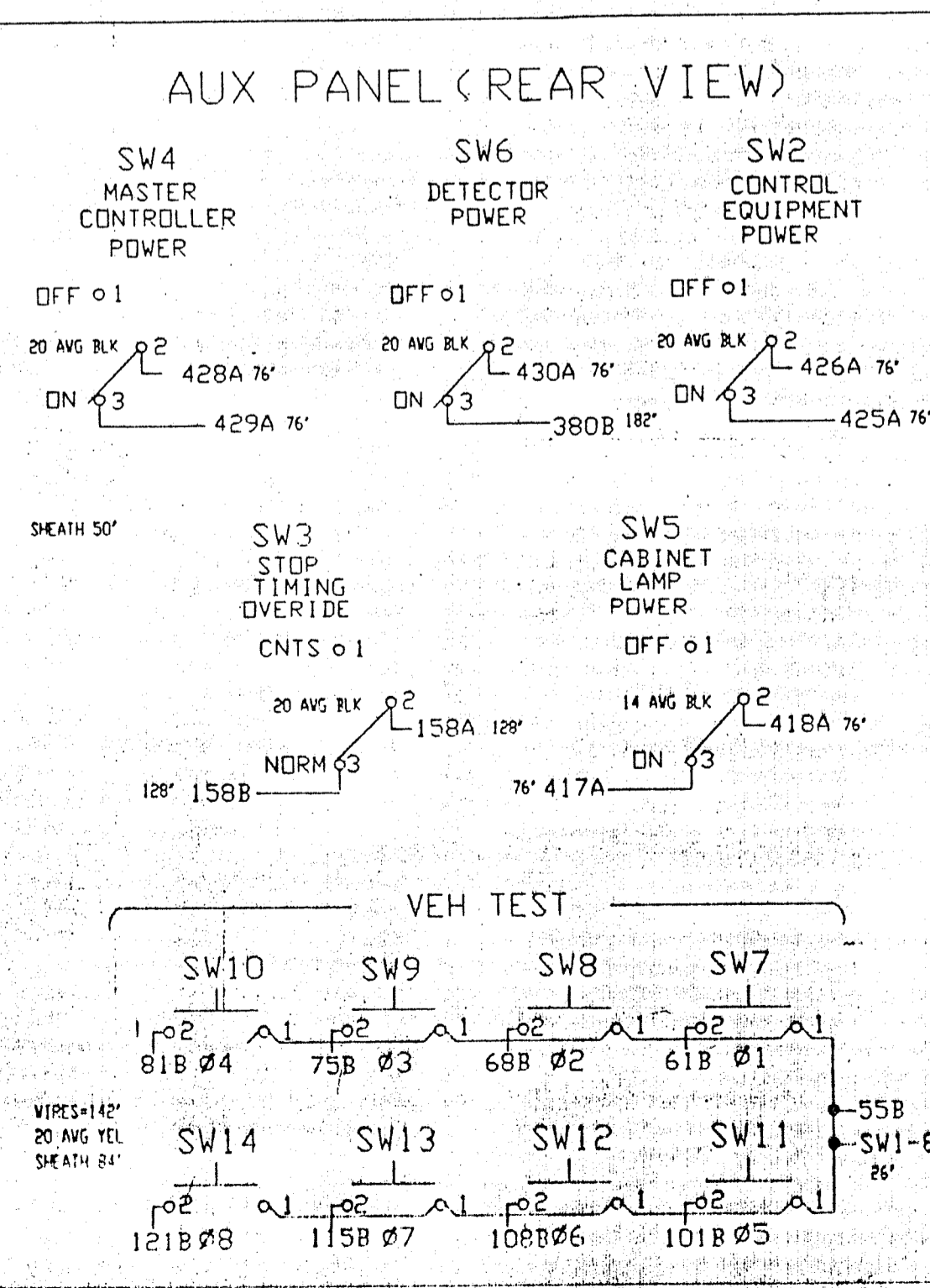


POWER PANEL

Qty	Description	Mfr. Pt. #	Manufacturer
1	AP, 500V, 15A	500V	Altech
2	block, 20 pt. feegthrough	73620	Vernitron
2	block, 20 pt. feegthrough	73620-59	Vernitron
2	block, 6pt. closed back	73106	Vernitron
2	bolt, 10-32x5/16"	10-32x5/16 SS SPMS	Adams
38	bolt, 8-32x1/4"	8-32x1/4 SS SPMS	Adams
49	bolt, 8-32x1/2"	8-32x1/2 SS SPMS	Adams
4	bolt, 8-32x1/4"	8-32x1/4 SS SPMS	Adams
3	bus bar, 3.625"	34890	Veidmuller
1	bus bar, 6.25"	34890	Veidmuller
1	cabl "A", blue, UL1015, 20AWG, 116'	CABLE A	TSC
1	cabl "B", blue, UL1015, 20AWG, 116'	CABLE B	TSC
1	cabl "C", blue, UL1015, 20AWG, 116'	CABLE C	TSC
1	cabl "CM1", red, UL1015, 20AWG, 116'	CABLE CM1	TSC
1	cabl "CM2", red, UL1015, 20AWG, 116'	CABLE CM2	TSC
25	clamp, small, ZB10	126130	Veidmuller
56	contact, female, flash plug	02-09-1104D	Molex
80	contact, male, flash plug	02-09-2103	Molex
1	cover, lexan, 1.75" x 12"	LEXANL040BACK	Codillac
1	cover, lexan, 2.25" x 15"	LEXANL040FRNT	Codillac
1	cover, SIMBA BLACK, 118" thick, 1.9"x2.895"	COVER, HDLE, FR5	Codillac
191	crimp, spade, 18-22 AWG	320665	AMP
20	diode, blocking	1N4005	Motorola
12	grommet, large	486000703B	Lifetime
17	grommet, small	486000547B	Lifetime
8	insulator, bus bar	29986	Veidmuller
109	juniper, between blocks	3620	Wrico
14	juniper, curved	7833	Vernitron
2	label, "High Voltage", small	PLD-67	Panduit
2	mounts, cable tie, small	TC5828	T&B
1	panel, loadboy	9601	Excel
1	panel, loadswitch support	9202	Excel
8	plug, flash, red	03-09-2154R	Molex
4	plug, flash, white	03-09-2154	Molex
4	plug, flash, yellow	03-09-2154	Molex
36	resistor, 2.5K, 7.5W min	20J2K5	Ohmite
1	silkscreen load switch support	9202-S	SilkScreen
1	silkscreen loadboy	9601-S	SilkScreen
4	snubber	KE0472	Dkaya
8	socket, flash plug	03-09-1151	Molex
4	socket, flash relay	S3-5408-LAB	Vernitron
1	socket, flasher	S3-5406-LAB	Vernitron
14	socket, loadswitch	S3-5412-LAB	Vernitron
1	socket, octal, relay	SR2P-51	Vernitron
3	standoff, 1.25"	8433	Keystone
2	standoff, 1.625"	8436	Keystone
5	tag, cable	8409-0356	SPC Products
8	washer, #10, internal lock	#10 INT LOCK SS	Adams
38	washer, #6, internal lock	#6 INT LOCK SS	Adams
48	washer, #8, internal lock	#8 INT LOCK SS	Adams
5	wingnuts, 8-32, nylon	0600932VN	Adams

Lamp Panel

Qty	Description	Mfr. Pt. #	Manufacturer
1	block, 20 pt. feegthrough	73620	Vernitron
2	block, 20 pt. feegthrough	73620-59	Vernitron
2	block, 6pt. closed back	73106	Vernitron
2	bolt, 10-32x5/16"	10-32x5/16 SS SPMS	Adams
38	bolt, 8-32x1/4"	8-32x1/4 SS SPMS	Adams
49	bolt, 8-32x1/2"	8-32x1/2 SS SPMS	Adams
4	bolt, 8-32x1/4"	8-32x1/4 SS SPMS	Adams
3	bus bar, 3.625"	34890	Veidmuller
1	bus bar, 6.25"	34890	Veidmuller
1	cabl "A", blue, UL1015, 20AWG, 116'	CABLE A	TSC
1	cabl "B", blue, UL1015, 20AWG, 116'	CABLE B	TSC
1	cabl "C", blue, UL1015, 20AWG, 116'	CABLE C	TSC
1	cabl "CM1", red, UL1015, 20AWG, 116'	CABLE CM1	TSC
1	cabl "CM2", red, UL1015, 20AWG, 116'	CABLE CM2	TSC
25	clamp, small, ZB10	126130	Veidmuller
56	contact, female, flash plug	02-09-1104D	Molex
80	contact, male, flash plug	02-09-2103	Molex
1	cover, lexan, 1.75" x 12"	LEXANL040BACK	Codillac
1	cover, lexan, 2.25" x 15"	LEXANL040FRNT	Codillac
1	cover, SIMBA BLACK, 118" thick, 1.9"x2.895"	COVER, HDLE, FR5	Codillac
191	crimp, spade, 18-22 AWG	320665	AMP
20	diode, blocking	1N4005	Motorola
12	grommet, large	486000703B	Lifetime
17	grommet, small	486000547B	Lifetime
8	insulator, bus bar	29986	Veidmuller
109	juniper, between blocks	3620	Wrico
14	juniper, curved	7833	Vernitron
2	label, "High Voltage", small	PLD-67	Panduit
2	mounts, cable tie, small	TC5828	T&B
1	panel, loadboy	9601	Excel
1	panel, loadswitch support	9202	Excel
8	plug, flash, red	03-09-2154R	Molex
4	plug, flash, white	03-09-2154	Molex
4	plug, flash, yellow	03-09-2154	Molex
36	resistor, 2.5K, 7.5W min	20J2K5	Ohmite
1	silkscreen load switch support	9202-S	SilkScreen
1	silkscreen loadboy	9601-S	SilkScreen
4	snubber	KE0472	Dkaya
8	socket, flash plug	03-09-1151	Molex
4	socket, flash relay	S3-5408-LAB	Vernitron
1	socket, flasher	S3-5406-LAB	Vernitron
14	socket, loadswitch	S3-5412-LAB	Vernitron
1	socket, octal, relay	SR2P-51	Vernitron
3	standoff, 1.25"	8433	Keystone
2	standoff, 1.625"	8436	Keystone
5	tag, cable	8409-0356	SPC Products
8	washer, #10, internal lock	#10 INT LOCK SS	Adams
38	washer, #6, internal lock	#6 INT LOCK SS	Adams
48	washer, #8, internal lock	#8 INT LOCK SS	Adams
5	wingnuts, 8-32, nylon	0600932VN	Adams



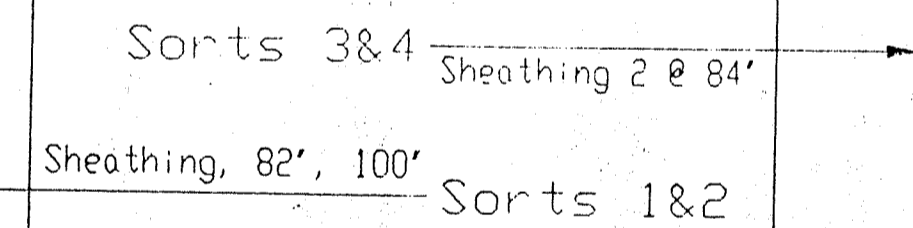
Point	Wire Color	Description	Sort#	Length
1	White/Red	CH1 Delay Inhibit	2	120'
2	Red	CH2 Delay Inhibit	2	120'
3	Brown	CH1 Loop Input	3 or 4	96'
4	White/Brown	CH1 Loop Input	3 or 4	96'
5	White/Blue	CH1 Output (C)	2	120'
6	Blue	CH1 Output (E)	1	120'
7	Black/Red	CH2 Loop Input	3 or 4	96'
8	Black/White	CH2 Loop Input	3 or 4	96'
9	Orange	CH3 Loop Input	3 or 4	96'
10	White/Orange	CH3 Loop Input	3 or 4	96'
11	White/Grey	CH3 Output (C)	2	120'
12	Grey	CH3 Output (E)	2	120'
13	Yellow	CH4 Loop Input	3 or 4	96'
14	White/Yellow	CH4 Loop Input	3 or 4	96'
15	White/Violet	CH2 Output (C)	2	120'
16	Violet	CH2 Output (E)	2	120'
17	White/Green	CH4 Output (C)	2	120'
18	White/Black	CH4 Output (E)	2	120'

Point	Wire Color	Description	Sort#	Length
1	Black/Yellow	Logic Ground	Even	96'
2	Red	24VDC+	Even	96'
3	Black/Blue	Reset	2	120'
4				
5	Orange	Address Bit 0	2	120'
6	Yellow	Address Bit 1	2	120'
7				
8	Grey	Data Transmit	2	120'
9				
10	Violet	Data Receive	2	120'
11				
12	Green	Chassis Ground	Even	96'
13	Black	AC+	Even	96'
14				
15	White	AC-	Even	96'

Add 20' Red, Blk/Yel, Blk/Yel (tape each end) run from sort 2 through sort 3 (even).

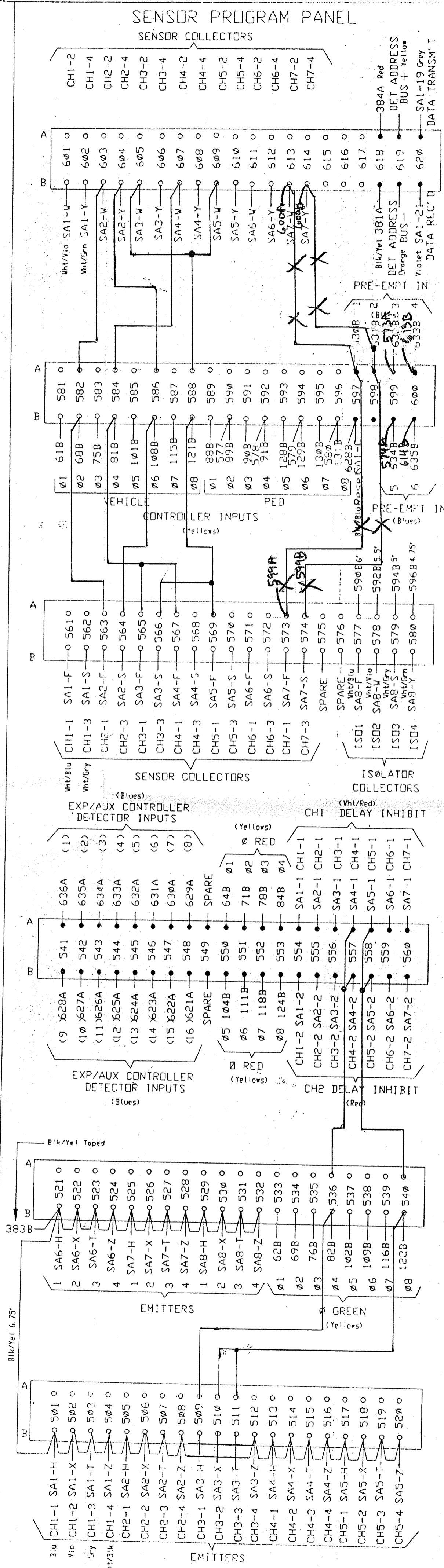
Do not use White/Red on SAB.

Detector Rack Rear View



Sort	Length
Sort 1	82'
Sort 2	100'
Sort 3	84'
Sort 4	84'

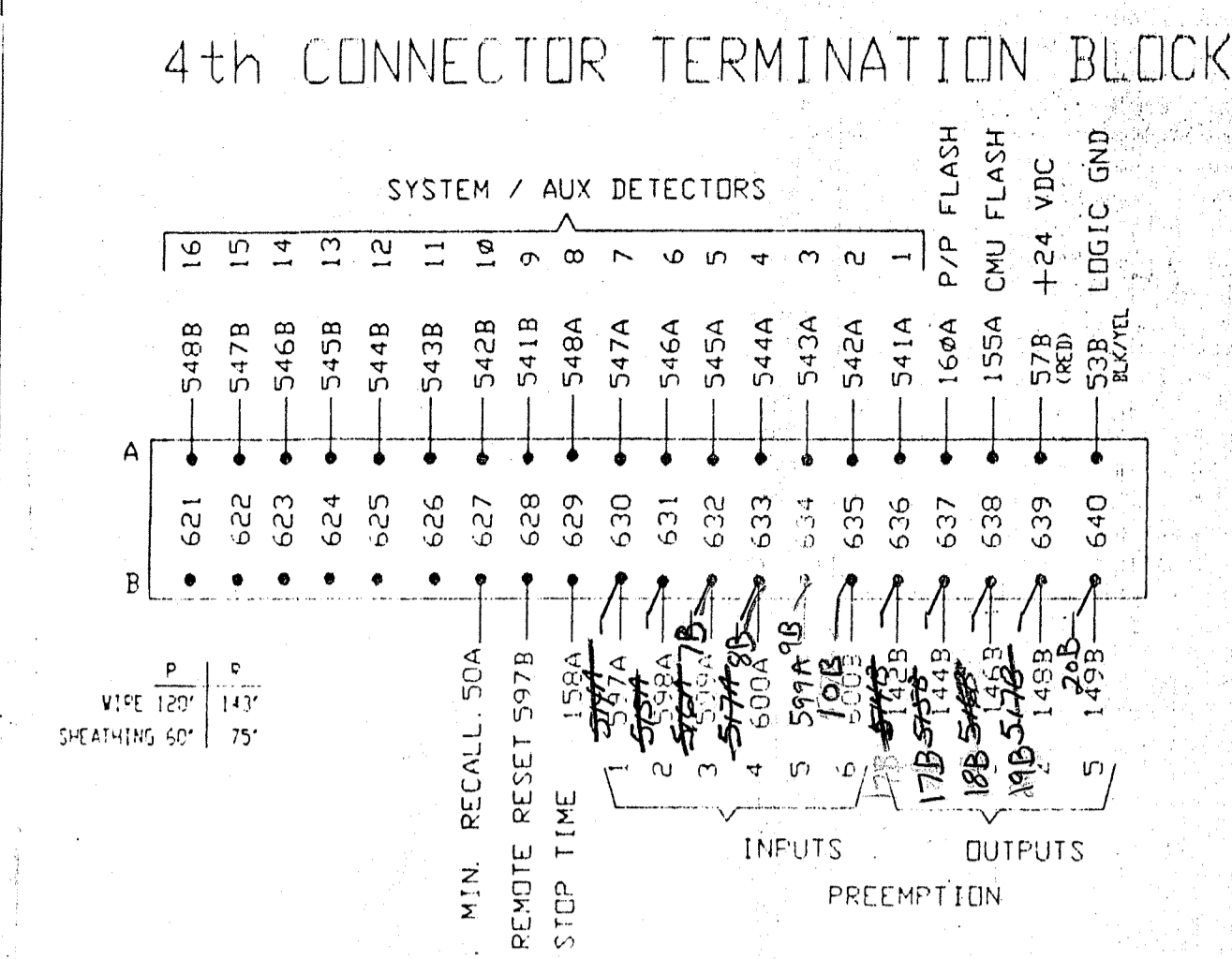
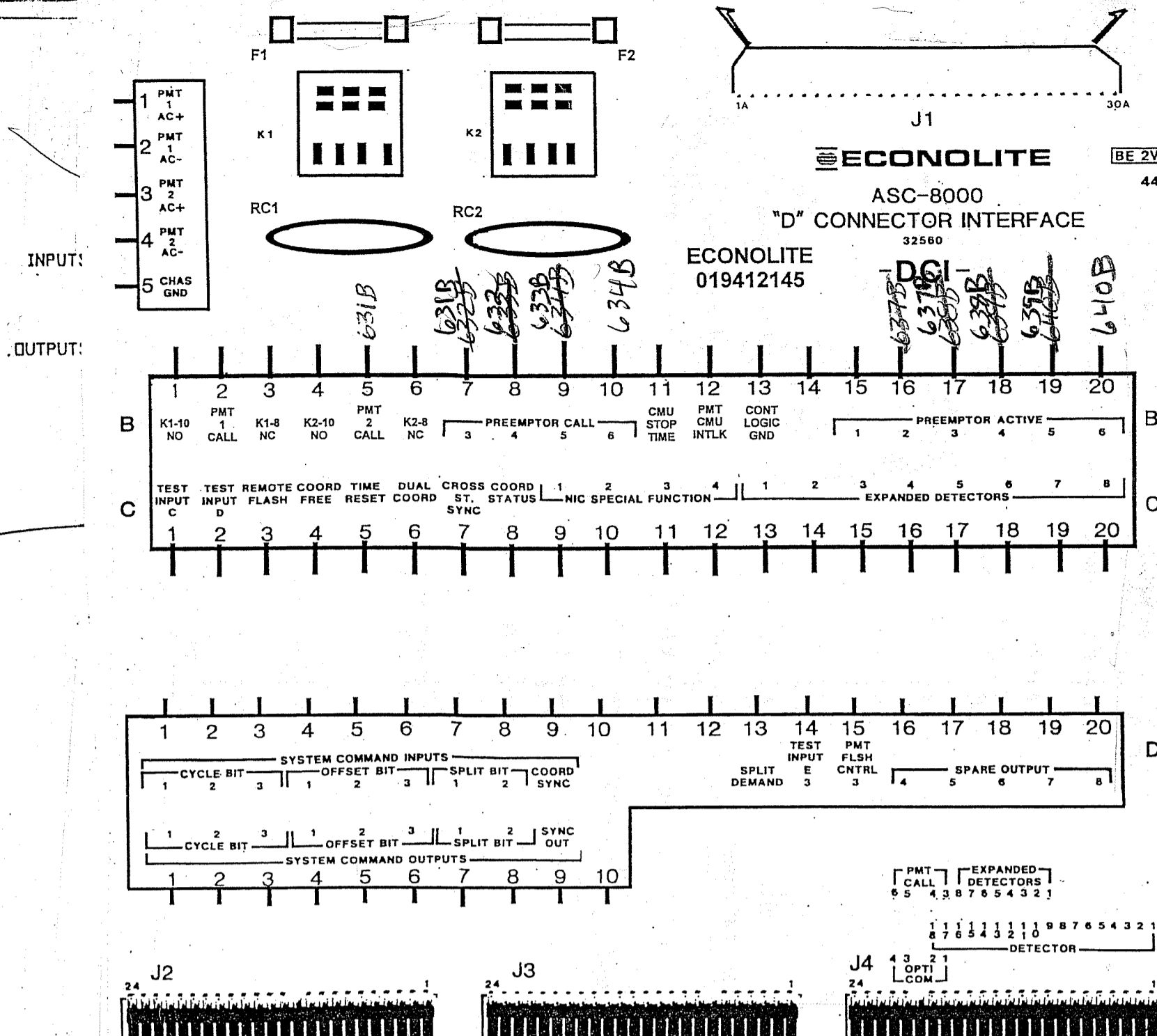
Qty	Description	Mfr. Pt. #	Manufacturer
18	bolt, 4-40x1/4", phillips	4-40x1/4 SS PH HD	Adams
18	washer, #4, internal lock	#4 INT LOCK SS	Adams
1	case	9411	Excel
1	circuit board	DTRKSHHC	Aztec
2	mounts, cable tie, small	TC5828	T&B
2	clamp, wire	754-20-2-10	Adel
2	bolt, 10-32x3/8"	10-32x3/8 SS SPMS	Adams
2	nut, 10-32	10-32 NUT SS	Adams
15	connector, edge	2WH22-11ADPS	Wiking
30	key, polarizing	091-0024-000	Adams
1	connector, 12 pt	32 012	Attech
1	connector, 3pt	32 003	Attech
8	connector, M8/7.6/8/10	30776	Weld-U-Liter
16	connector, M8/7.6/8/10	30776	Weld-U-Liter
1	labor, assy of PC board	AS3YP/BOARD	Production Tech
2	cover, lexan, 1/8", 1-3/16" x 2"	LEXANET	Coditrac
2	washer, #10, internal lock	#10 INT LOCK SS	Adams



CONN. PIN I/O	FUNCTION	TERM.
1	EMERG. PR. 4 OUT	517B
2	OFFSET 3 OUT	531A
3	OFFSET 4 (ADD BIT 3)	512A
4	DN LINE	519A
5	SPARE	532A
6	DIAL 4	504A
7	SPECIAL FUNCTION 2 OUT	506A
8	SPLIT 3	534A
9	OFFSET 2 (ADD BIT 1)	508A
10	SPARE	510A
11	FLASH OUT	538A
12	OFFSET 1 (ADD BIT 0)	509A
13	SYSTEM DET. 8	526A
14	DIAL 5	505A
15	SPECIAL FUNCTION 3 OUT	535A
16	SYSTEM DET. 5	507A
17	SYSTEM DET. 1 (SEQ. #1)	521A
18	SYSTEM DET. 4 (SEQ. #4)	524A
19	SYSTEM ENABLE	520A
20	BURNING ENABLE	529B
21	SPLIT 2 OUT	507B
22	EMERG. PR. 2 OUT	515B
23	RAILROAD PR. OUT	518B
24	SPARE	539A
25	DIAL 2 (SPECIAL FUNCTION 2)	502A
26	FREE/CROSS (SPECIAL FUNCTION 1)	501A
27	FREE/CROSS OUT	501B
28	SPECIAL FUNCTION 1 OUT	533B
29	DIAL 4 OUT	504B
30	SYSTEM DET. 5	525A
31	SYSTEM DET. 3 (SEQ. #3)	523A
32	EMERG. PR. 1 OUT	514B
33	OFFSET 1 OUT	529A
34	RK/RG OUT 3 OUT	516B
35	DIAL 3 (SPECIAL FUNCTION 3)	503A
36	OFFSET 3 (ADD BIT 2)	511B
37	FLASH STATUS	532B
38	OFFSET 5 (ADD BIT 4)	513A
39	SYSTEM DET. 6	526A
40	SYSTEM DET. 7	527A
41	OFFSET 4 OUT	532A
42	OFFSET 2 OUT	530A
43	DIAL 2 OUT	502B
44	DIAL 3 OUT	503B
45	OFFSET 4 OUT	533A
46	SPLIT 3 OUT	508B
47	SYSTEM DET. 2 (SEQ. #2)	522A
48	LOGIC GND.	536A
49	EMERG. PREEMPT 1	514A
50	EMERG. PREEMPT 2	515A
51	DIAL 3 OUT	505B
52	DIAL 6 OUT	506B
53	LOGIC GND.	509B
54	LOGIC GND.	519B
55	EMERG. PREEMPT 3	516A
56	EMERG. PREEMPT 4	517A
57	RAILROAD PREEMPT	518A
58	CONFLICT STATUS	530B
59	RESERVED	T
60	FLASH COMMAND	531B
61	RESERVED	T
62	RESERVED	T
63	CHASSIS GND.	540A

P.W. RACK SA-PIN	SA1		SA2		SA3		SA4		SA5		SA6		SA7		SA8		FUNCTIONS
	PHASE	FUNC	PHASE	FUNC	PHASE	FUNC	PHASE	FUNC	PHASE	FUNC	PHASE	FUNC	PHASE	FUNC	PHASE	FUNC	
CH 1	1	1	2	1	4	4	7	4	8	7	8	3	1	6	2	CH 1	1-CALL&EXTEND
CH 2	1	1	2	1	4	4	7	4	8	7	8	3	1	6	2	CH 2	2-CALL ONLY
CH 3	5	5	6	1	6	1	8	3	8	4	7	4	3	6	6	CH 3	3-EXTEND ONLY
CH 4	5	5	6	1	6	1	8	3	8	4	7	4	3	6	6	CH 4	4-CALL ONLY DENS
MODEL			224		222		222		222		222		222		222		5-DLY CALL ONLY
A	DC GROUND		381B													T-400A	6-DLY CALL ONLY
B	24V DC+		384B														7-DLY CALL
C	REMOTE RESET		597B														8-IMMED EXTEND
D-4	CH 1 LOOP	303A	345A	313A	355A	323A	365A	333A	301A	379B	INPUT CH 1					9-CARRY OVER	
E-5	CH 1 LOOP	304A	346A	314A	356A	324A	366A	334A	379B	INPUT COMMON						10-ADVISORY	
F	ADDRESS BI# 1	619B	SA1-15	SA2-10	SA3-15	SA4-15	SA5-10	SA6-15	NC							11-SAMPLING	
5	CH 1 OUTPUT (+)	561B	563B	565B	567B	571B	573B	577B	579B	577B	OUTPUT CH 1 (+)					12-SPECIAL	
6	CH 1 OUTPUT (-)	501B	505B	509B	513B	517B	521B	525B	529B	529B	OUTPUT CH 1 (-)					SEE NOTE	
7	CH 2 LOOP	306A	348A	316A	358A	326A	368A	336A	302A	378B	INPUT CH 2						
8	CH 2 LOOP	307A	349A	317A	359A	327A	369A	337A	378B	INPUT COMMON							
10	ADDRESS BI# 1	619A	SA1-6	SA3-6	SA4-6	SA4-10	SA5-15	SA7-6	NC								
L	CHASSIS GROUND	340A															CHASSIS GROUND
M	AC-	SA2-M															AC-(NEUTRAL)
N	115V AC+	SA2-N															115V AC
9	LOOP CH 3	308A	350A	318A	350A	328A	370A	338A	343A	377B	INPUT CH 3						
10	LOOP CH 3	309A	351A	319A	351A	329A	371A	339A	377B	INPUT COMMON							
15	ADDRESS BI# 2	SA1-10	SA2-6	SA2-15	SA3-10	SA5-6	SA6-10	SA7-10	NC								
11	CH 3 OUTPUT (+)	562B	564B	568B	570B	574B	578B	582B	586B	579B	OUTPUT CH 3 (+)						
12	CH 3 OUTPUT (-)	503B	507B	511B	515B	519B	523B	527B	531B	531B	OUTPUT CH 3 (-)						
13	CH 4 LOOP	311A	353A	321A	363A	331A	373A	341A	344A	344A	INPUT CH 4						
14	CH 4 LOOP	312A	354A	322A	364A	332A	374A	342A	347A	347A	INPUT COMMON						
19	DATA TRANSMIT	620A															
21	DATA RECEIVE	620B															
15	CH 2 OUTPUT (+)	601B	603B	605B	607B	609B	611B	613B	615B	615B	OUTPUT CH 2 (+)						
16	CH 2 OUTPUT (-)	502B	506B	510B	514B	518B	522B	526B	530B	530B	OUTPUT CH 2 (-)						
17	CH 4 OUTPUT (+)	602B	604B	606B	608B	610B	612B	614B	616B	616B	OUTPUT CH 4 (+)						
18	CH 4 OUTPUT (-)	504B	508B	512B	516B	520B	524B	528B	532B	532B	OUTPUT CH 4 (-)						
1	CH 1 GREEN	554A	555A	556A	557A	558A	559A	560A									
2	CH 2 GREEN	554B	555B	556B	557B	558B	559B	560B									

USE 754-20-2-10 CLAMPS



Qty	Description	Mfr. Pt. #	Manufacturer
4	bolt, 4-40x1/2", phillips	4-40x1/2 SS PH HD	Adams
1	bolt, 6-32x3/4", phillips	6-32x3/4 Z F PH HD	Adams
4	bolt, 6-32x3/8", phillips	6-32x3/8 SS PH HD	Adams
4	bolt, 8-32x1", phillips	8-32x1 SS PH HD	Adams
1	connector	206705-1	App
1	contact, molex	66361-4	App
3	power transistor	86098B	Thermalloy
1	crimp, 18-20VDC, #6, ring	A-220-06X	Moler-ETC
1	fuse, 2 amp, sla-blo	313002	Littlefuse
1	fuseholder	342014A	Littlefuse
4	nut, 4-40	4-40 NUT SS	Adams
1	panel, base	9209A	Excel
1	panel, cover	9209B	Excel
1	power supply, 24VDC, 4.8	1HDC4-4.8-512	JHD
4	rubber feet	321331	SBC Products
1	silkscreen base	9209A-5	Silkscreen Spec.
4	washer, #4, internal lock	#4 INT LOCK SS	Adams
4	washer, #6, internal lock	#6 INT LOCK SS	Adams
4	washer, #8, internal lock	#8 INT LOCK SS	Adams

Wire	Color	Terminal	Function
BLK	380A	1	AC-
WHT	379A	2	AC-NEUTRAL
GRN	372A	3	CH GND
RED	384A	7	DC+
BLK/YEL	381A	8	DC-

PS 24VDC DETECTOR POWER SUPPLY

REV.	STATUS	
1	2	3
0	0	0

ASSEMBLY PRINT

AC Electronics, Inc.