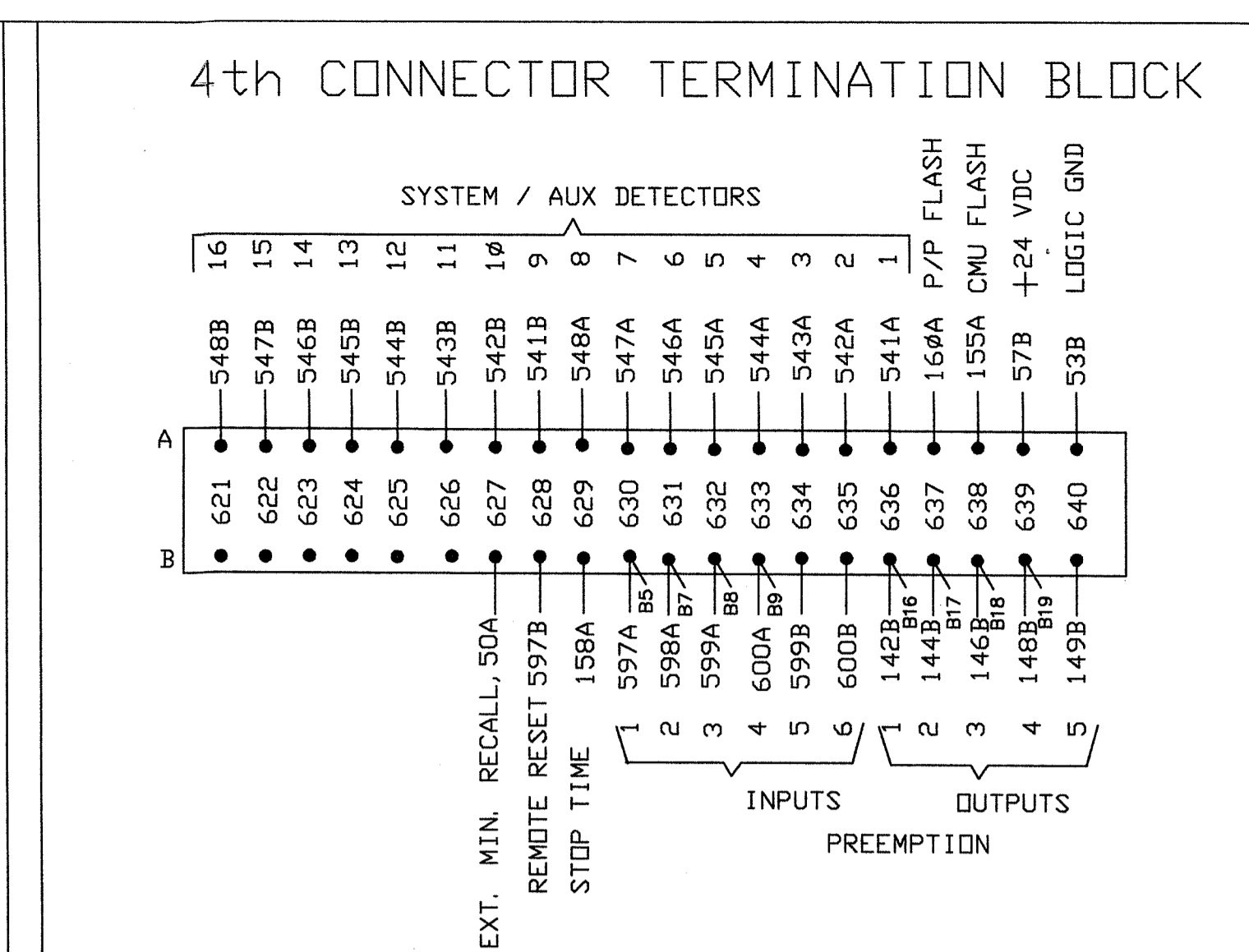
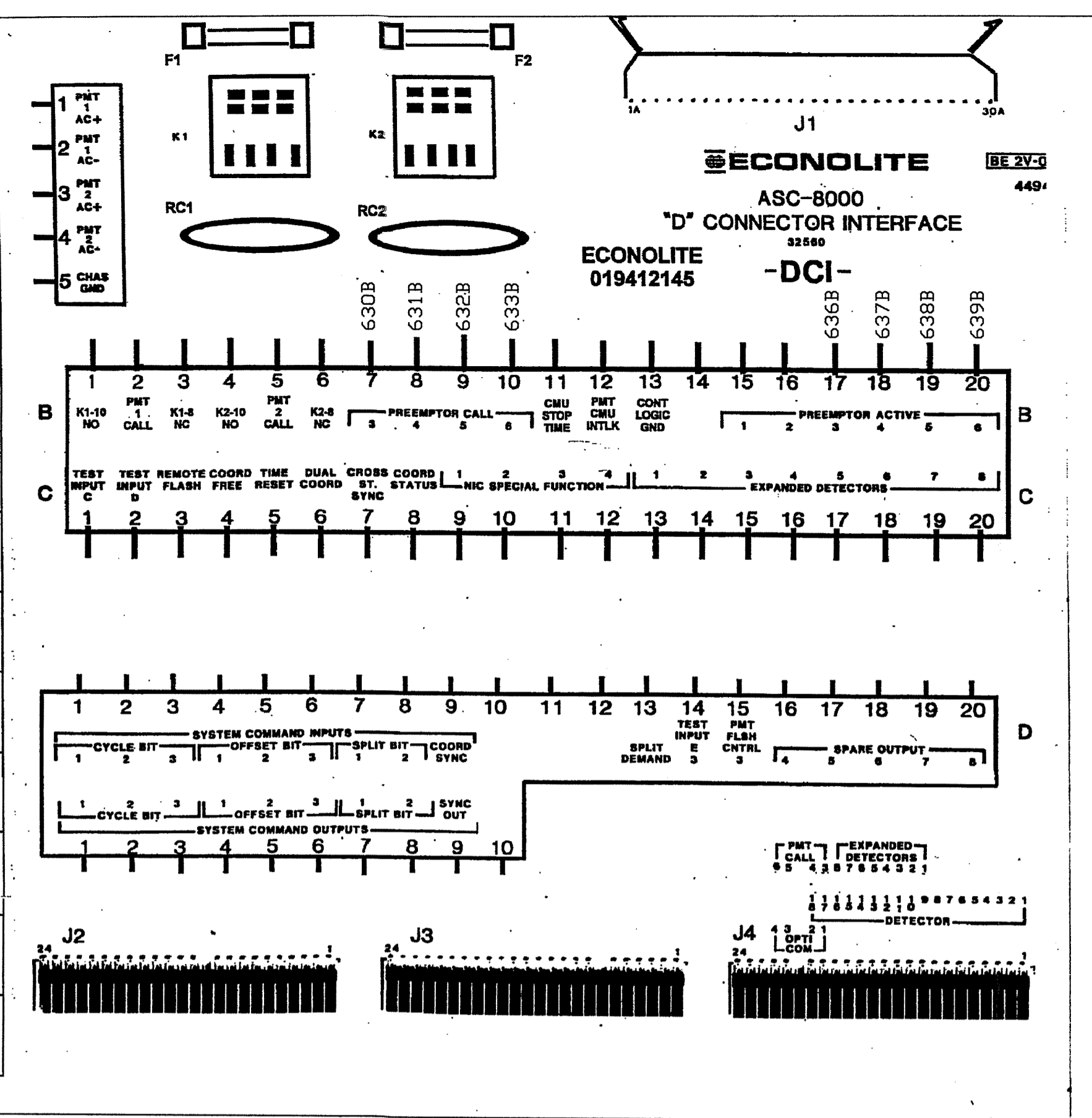


### ASC 8000 "D" CONNECTOR INTERFACE PANEL

PIN	FUNCTION	TERM
1	PREEMPT #3 ACTIVE	
2	SYSTEM COMMAND OFFSET BIT 3 OUTPUT	
3	SPLIT DEMAND	
4	SYSTEM COMMAND COORD SYNC INPUT	
5	CROSS STREET SYNC	
6	SYSTEM COMMAND CYCLE BIT 3 INPUT	
7	NOT USED	
8	NIC SPECIAL FUNCTION 2	
9	SYSTEM COMMAND OFFSET BIT 2 INPUT/EXTERNAL ADDRESS BIT 1	
10	SYSTEM COMMAND OFFSET BIT 2 INPUT/EXTERNAL ADDRESS BIT 1	
11	NIC SPECIAL FUNCTION 2	
12	SYSTEM COMMAND OFFSET BIT 1 INPUT/EXTERNAL ADDRESS BIT 0	
13	SYSTEM COMMAND OFFSET BIT 1 INPUT/EXTERNAL ADDRESS BIT 0	
14	TIME RESET	
15	PREEMPTOR FLASH CONTROL	
16	SYSTEM COMMAND OFFSET BIT 1 INPUT/EXTERNAL ADDRESS BIT 3	
17	EXPANDED DETECTOR #1	
18	EXPANDED DETECTOR #4	
19	TEST INPUT E	
20	TEST INPUT C	
21	SYSTEM COMMAND SPLIT BIT 1 OUTPUT	
22	PREEMPTOR #3 ACTIVE	
23	PREEMPTOR #1 ACTIVE	
24	NIC SPECIAL FUNCTION 2 SPARE OUTPUT 1	
25	SYSTEM COMMAND CYCLE BIT 1 INPUT	
26	COORD FREE	
27	COORD STATUS	
28	NIC SPECIAL FUNCTION 1	
29	SYSTEM COMMAND CYCLE BIT 3 OUTPUT	
30	EXPANDED DETECTOR #5	
31	EXPANDED DETECTOR #3	
32	PREEMPTOR #2 ACTIVE	
33	SYSTEM COMMAND OFFSET BIT 1 OUTPUT	
34	PREEMPTOR #4 ACTIVE	
35	SYSTEM COMMAND CYCLE BIT 2 INPUT	
36	SYSTEM COMMAND OFFSET BIT 3 INPUT/EXTERNAL ADDRESS BIT 2	
37	TEST INPUT D	
38	DUAL COORD	
39	EXPANDED DETECTOR #6	
40	EXPANDED DETECTOR #7	
41	SPARE OUTPUT 4	
42	SYSTEM COMMAND OFFSET BIT 2 OUTPUT	
43	SYSTEM COMMAND CYCLE BIT 1 OUTPUT	
44	SYSTEM COMMAND CYCLE BIT 2 OUTPUT	
45	SPARE OUTPUT 5	
46	SYSTEM COMMAND SPLIT BIT 2 OUTPUT	
47	EXPANDED DETECTOR #2	
48	PREEMPTOR #6 ACTIVE	
49	PREEMPTOR CALL #2	
50	PREEMPTOR CALL #3	
51	SPARE OUTPUT 3	
52	SPARE OUTPUT 1	
53	SYSTEM COMMAND SYNC OUT	
54	SPARE OUTPUT 6	
55	PREEMPTOR CALL #1	
56	PREEMPTOR CALL #5	
57	NOT USED	
58	CMU STOP TIME (CONFLICT FLASH)	
59	PREEMPTOR CMU INTERLOCK (K, PULL UP)	
60	REMOTE FLASH	



### SA DETECTORS AND PPB ISOLATION

⊕ SA1 THROUGH SA7 ARE WIRED TO ACCEPT VEH DET. OR EVP DISCRIMINATOR OR PPB ISOLATOR.

MAIN I/O BLOCK	WIRE COLOR	SA I/O BLOCK	EDGE CONN.	SA1	SA2			SA3			SA4			SA5			SA6			SA7			SA8			FUNCTIONS
					PHASE	FUNC	DET	PHASE	FUNC	DET	PHASE	FUNC	DET	PHASE	FUNC	DET	PHASE	FUNC	DET	PHASE	FUNC	DET	PHASE	FUNC	DET	
1	BLK/YEL	A	DC GROUND	382B																						
2	RED	B	24V DC+	384B																						
3	BLK/BLU	C	REMOTE RESET	597B																						
4	BRN	D-4	CH 1 LOOP	303A	345A	313A	355A	323A	365A	333A	301A	INPUT CH 1	D													
5	WHT/BRN	E-5	CH 1 LOOP	304A	346A	314A	356A	324A	366A	334A	302A	INPUT COMMON	E													
6	YELLOW	F	ADDRESS BIT# 0	619B	SA1-15	SA2-10	SA3-15	SA4-15	SA5-10	SA6-15	SA7-15	NC														
7	BLUE	H	CH 1 OUTPUT (+)	561B	563B	565B	567B	569B	571B	573B	577B	OUTPUT CH 1 (+)	F													
8	BLK/WHT	J	CH 1 OUTPUT (-)	507B	505B	509B	513B	517B	521B	525B	529B	OUTPUT CH 1 (-)	H													
9	ORANGE	K	CH 2 LOOP	306A	348A	316A	358A	326A	368A	336A	304A	INPUT CH 2	J													
10	WHT/YEL	L	CH 2 LOOP	307A	349A	317A	359A	327A	369A	337A	305A	INPUT COMMON	K													
11	GREEN	M	CHASSIS GROUND	340A								CHASSIS GROUND	L													
12	WHITE	N	AC-	SA2-M								AC-(NEUTRAL)	M													
13	BLACK	P	115V AC+	SA2-N								115V AC+	N													
14	ORANGE	R-13	LOOP CH 3	308A	350A	318A	360A	328A	370A	338A	306A	INPUT CH 3	P													
15	WHT/DR	S	LOOP CH 3	309A	351A	319A	361A	329A	371A	339A	307A	INPUT COMMON	R													
16	GREY	T	CH 3 OUTPUT (+)	503B	507B	511B	515B	519B	523B	527B	531B	OUTPUT CH 3 (+)	S													
17	YELLOW	U-17	CH 3 OUTPUT (-)	503B	507B	511B	515B	519B	523B	527B	531B	OUTPUT CH 3 (-)	T													
18	WHT/YEL	V-18	CH 4 LOOP	312A	354A	322A	364A	332A	374A	342A	310A	INPUT CH 4	U													
19	GREY	W	DATA TRANSMIT	620A								DATA TRANSMIT	V													
20	VIOLET	X	DATA RECEIVE	620B								DATA RECEIVE	W													
21	WHT/VIO	Y	CH 2 OUTPUT (+)	601B	603B	605B	607B	609B	611B	613B	578B	OUTPUT CH 2 (+)	X													
22	WHT/GRN	Z	CH 2 OUTPUT (-)	502B	506B	510B	514B	518B	522B	526B	530B	OUTPUT CH 2 (-)	Y													
23	WHT/BLK	1	CH 1 GREEN	554A	555A	556A	557A	558A	559A	560A		SPARE														
24	RED	2	CH 2 GREEN	554B	555B	556B	557B	558B	559B	560B		SPARE														

381A	1	AC+	<b>PS</b> 24VDC DETECTOR POWER SUPPLY
380A	2	AC-NEUTRAL	
372A	3	CH GND	
384A	7	DC+	
382A	8	DC-	
	4	CH 1	
	5	CH 2	
	6	CH 3	

REV.	DATE	REVISION

JEFFERSON AT NORTHTOWN

TITLE: MNDOT 1999 "R" & "P" CABINET

SHEET	1	2	3
REV	A	A	A

ACT Electronics, Inc.

DATE: 8/25/99  
DRAWN: MPD

SCALE: MNDOT

PROPRIETARY INFORMATION OF ACT ELECTRONICS CORPORATION IS INCLUDED IN THE INFORMATION DEVELOPED IN THIS DOCUMENT. NEITHER THIS DOCUMENT, NOR THE INFORMATION DEVELOPED HEREIN, SHALL BE REPRODUCED OR TRANSMITTED IN ANY FORM OR BY ANY MEANS, ELECTRONIC OR MECHANICAL, INCLUDING PHOTOCOPYING, RECORDING, OR BY ANY INFORMATION STORAGE AND RETRIEVAL SYSTEM, WITHOUT PERMISSION IN WRITING BY ACT ELECTRONICS CORPORATION. FILE ACT99RPS REV A SHEET 3 OF 3