

ASC/2S-2100 CONTROLLER WITH:

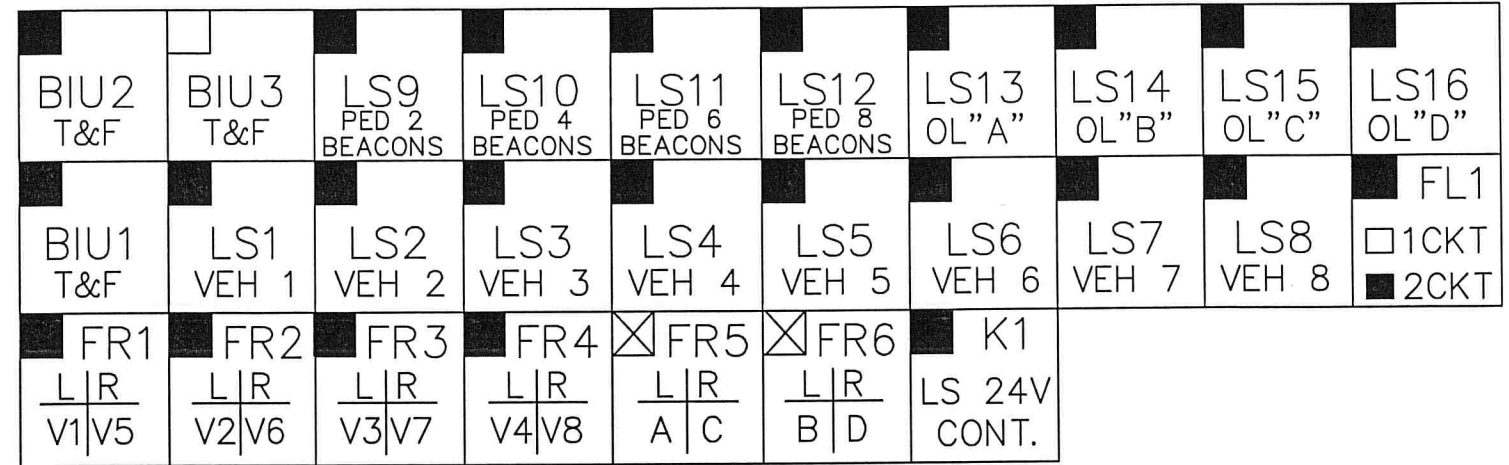
- CONFIGURATION EEPROM 32790C1440
- SOFTWARE: V1.72
- SPECIAL SOFTWARE: SEE BELOW FUNCTION
- OVERLAPS
 - IN EEPROM
 - KEYBOARD ENTERED
- ANALOG TELEMETRY MODULE: 32825G1
- F/O TELEMETRY MODULE: 33525G1
- TEST INPUT A =
- TEST INPUT B =

A =
B =
C =
D =

LEGEND

BIU	BUS INTERFACE UNIT
BU()	C/C, BIU ()
CB()	CIRCUIT BREAKER ()
C/C	CONNECTING CABLE
CCA	CONTROLLER CABLE "A"
CDP	C/C, DR POWER
CMA	MMU/CMU CABLE "A"
CMB	MMU/CMU CABLE "B"
CPO	C/C PRE-EMPT OUTPUTS
CPP	C/C PRE-EMPT POWER
DR	DETECTOR RACK
DS()	DOOR SWITCH ()
FL()	FLASHER ()
FR()	FLASH XFER. RELAY
LS()	LOAD SWITCH
MC	MERCURY CONTACTOR
MP	MAIN PANEL
PAP	POWER-AUX PANEL
PSP	CAB. PWR. SUPPLY
SA	SURGE ARRESTOR
TB-()	TERM. BLOCK ()

MAIN PANEL PLUG-IN REQUIREMENTS



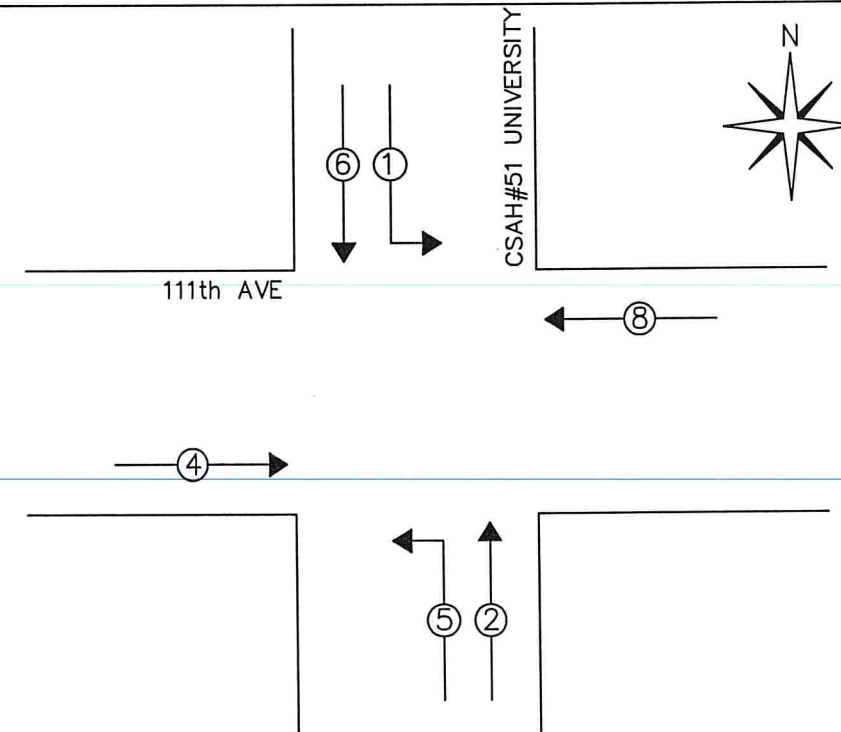
DENOTES TYPE OF OPERATION AND/OR WHERE PLUG-IN IS REQUIRED. L = LEFT, R = RIGHT.
 DENOTES WHERE "UNUSED RED" JUMPER PART NUMBER 32448G1 IS REQUIRED. INSTALL BETWEEN PINS 1 & 3 FOR LOAD SWITCH OR PINS 6 & 8 AND 5 & 7 FOR FLASH TRANSFER RELAY.

FLASH:
 ø2&6 YELLOW, ALL OTHERS RED.
 ALL RED.
 RELAYS DE-ENERGIZED FOR FLASH.
 RELAYS ENERGIZED FOR FLASH.

FLASHER	
PIN	FUNCTION
7	CIRCUIT #1
8	CIRCUIT #2
9	CHASSIS GND
10	AC COMMON
11	115 VAC
12	-----

LOAD SWITCH	
PIN	FUNCTION
1	115 VAC
2	CHASSIS GND
3	RED/DW OUTPUT
4	-----
5	YEL OUTPUT
6	RED/DW INPUT
7	GRN/W OUTPUT
8	YEL INPUT
9	+24 VDC
10	GRN/W INPUT
11	AC COMMON
12	-----

①
2.2K
10W

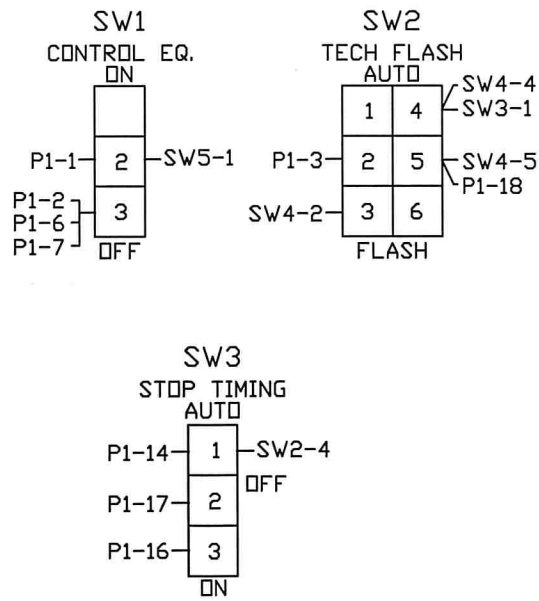


SHEET 1 OF 11

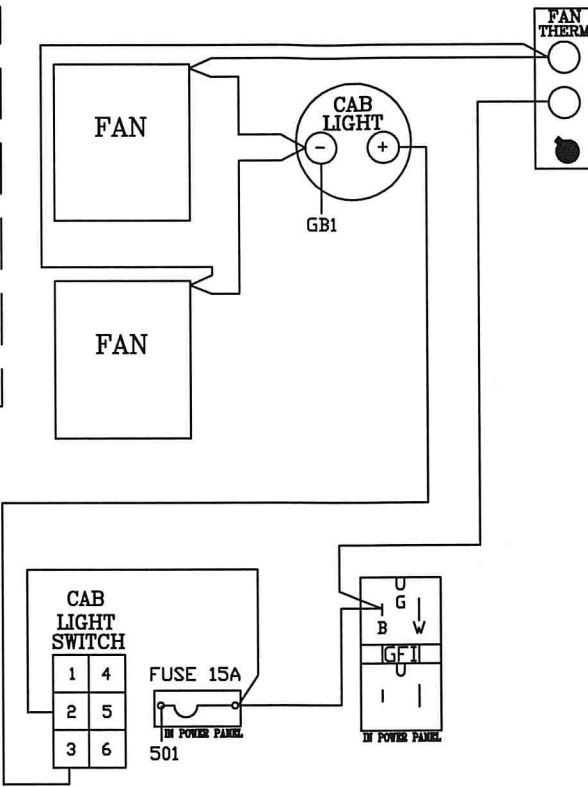
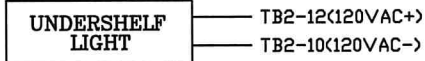
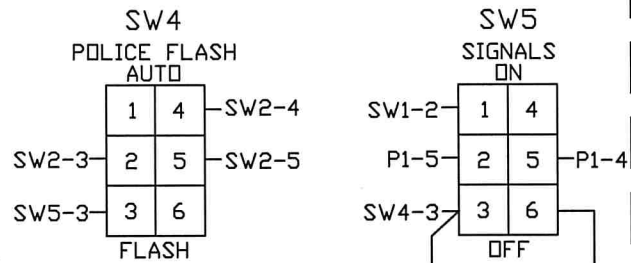
3 USE ONLY COPPER CONDUCTORS FOR FIELD AND SERVICE CONNECTIONS.
 2 CONNECT A.C. SERVICE TO TERMINAL BLOCK 501 (LINE), 502 (NEUTRAL) AND GB2 (EARTH) ON RIGHT SIDEWALL OF CABINET.
 ① INSTALL 2.2K, 10 WATT LOAD RESISTORS BETWEEN PINS 7 AND 11 ON LOAD SWITCHES 9, 10, 11 & 12.
 NOTES: UNLESS SPECIFIED OTHERWISE

DESIGNER G.V. T.C.C.	DATE 02/03/97	ECONOLITE CONTROL PRODUCTS INC.	TRAFFIC CONTROL CORPORATION	5653 MEMORIAL AVE. OAK PARK HTS, MN 55082
DRAWN MA TCC	6/9/04			CABINET SPECIFICATION: TS2TYPE1 2004 ANOKA COUNTY
CABINET SIZE		CUSTOMER: ANOKA COUNTY HIGHWAY DEPARTMENT		FLASHER
INSPECTED		INTERSECTION: CSAH#51 AT 111TH		SW.PACKS
APPROVED		LOCATION:		
CUSTOMER P.O.	INSTALLED BY	SALES ORDER NO.	SIZE B	DRAWING #TS20216PG INTERC

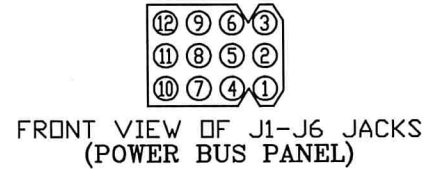
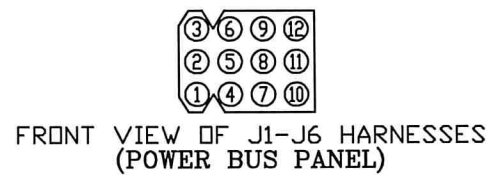
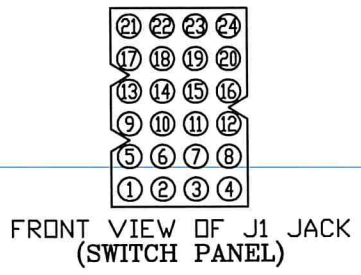
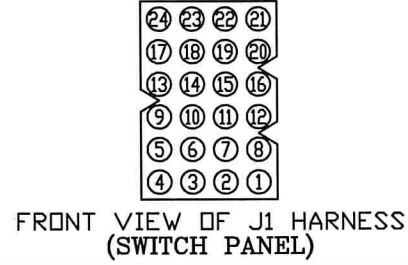
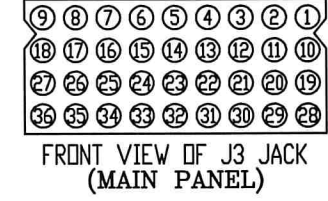
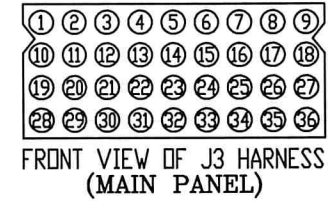
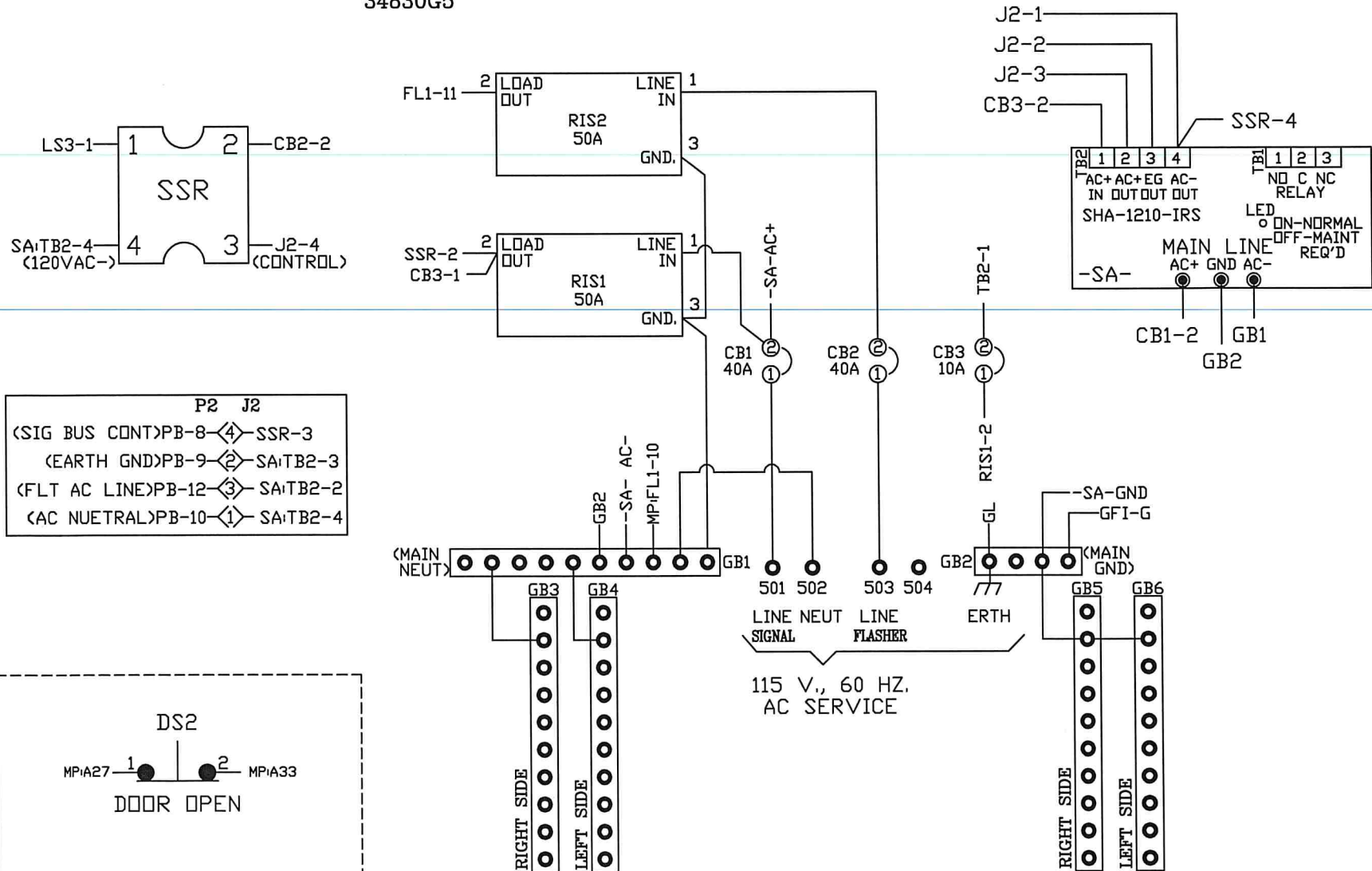
AUXILLARY SWITCH PANEL



POLICE SWITCH PANEL



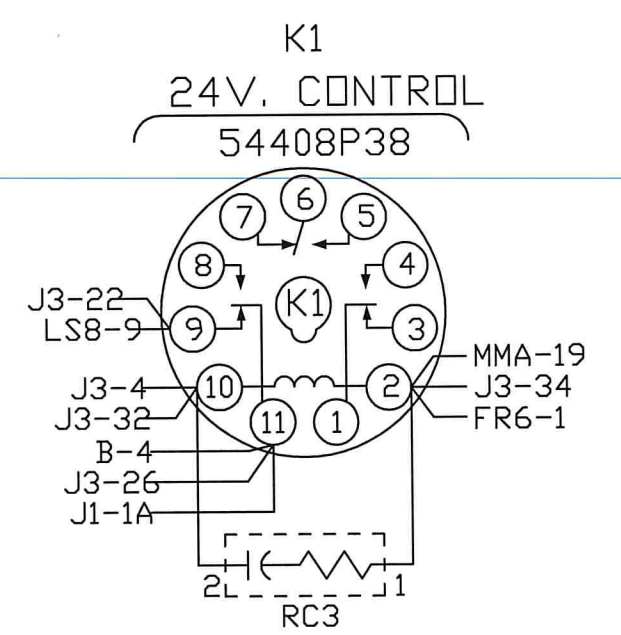
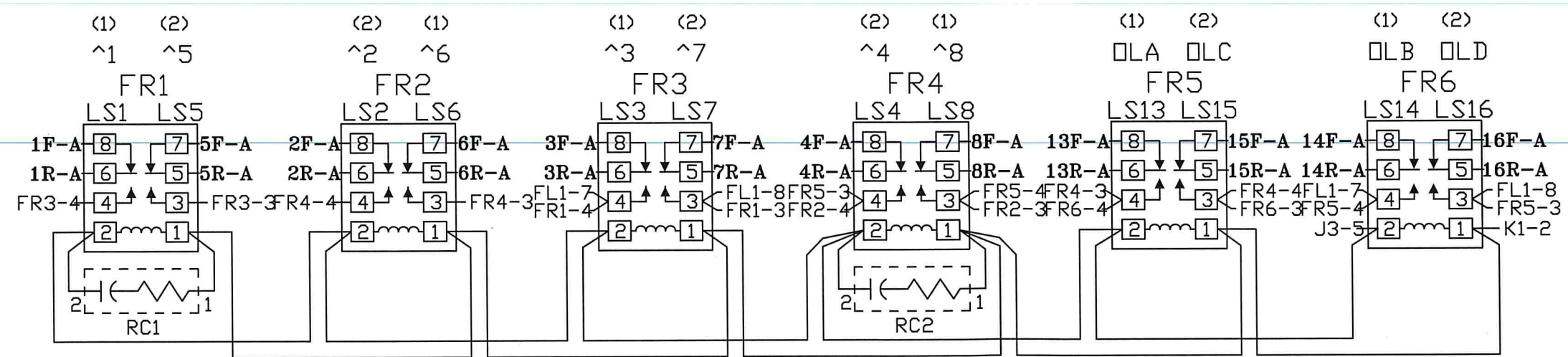
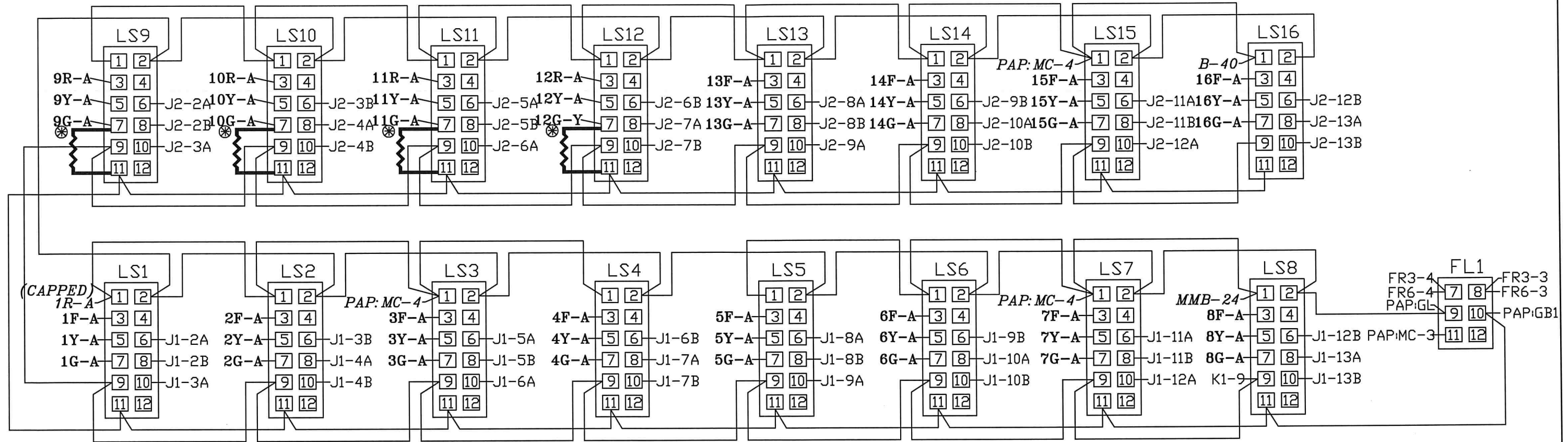
POWER/AUX PANEL (PAP) 34830G5



J3		P1		
J3-36	1	FILTER AC LINE (OUT)	P1-1	SW1-2
MMB-1	2	SWITCHED AC LINE (IN)	P1-2	SW1-3
MMA-37	3	FLASH CONTROL BUS (OUT)	P1-3	SW2-3
K1-10	4	SIGNAL BUS CONTROL (IN)	P1-4	SW5-5
FR6-2	5	FLASH RELAY CONTROL (IN)	P1-5	SW5-2
MMB-2	6	START DELAY AC BUS (IN)	P1-6	SW1-3
MMA-20	7	MMU FLASH CONTROL BUS (IN)	P1-7	SW1-3
	8	SPARE	P1-8	----
	9	SPARE	P1-9	----
	10	SPARE	P1-10	----
	11	SPARE	P1-11	----
	12	SPARE	P1-12	----
A-39	13	OPT-MANUAL CONT. ENABLE (IN)	P1-13	----
A-35	14	LOGIC GROUND	P1-14	SW3-1
A-40	15	OPT-INTERVAL ADVANCE (IN)	P1-15	----
A-31	16	MMU STOP TIME (OUT)	P1-16	SW3-3
A-30	17	CONTROLLER STOP TIME (IN)	P1-17	SW3-2
A-32	18	LOCAL FLASH STATUS (IN)	P1-18	SW2-5
A-38	19	OPT-COORD FREE (IN)	P1-19	----
A-33	20	OPT-ALARM 1 (IN)	P1-20	----
A-34	21	OPT-ALARM 2 (IN)	P1-21	----
K1-9	22	OPT-LOADSWITCH TEST (IN)	P1-22	----
B-3	23	MMU 24V MON. 2 (IN)	P1-23	----
B-4	24	+24 VDC	P1-24	----

J3		J1		
A-35	25	LOGIC GROUND	J1-1	TB1-1
K1-11	26	+24 VDC (IN)	J1-2	TB1-2
	27	----	----	TB1-3
B-5	28	MMU FAULT MONITOR (IN)	J1-4	TB1-4
J1-31B	29	LINE FREQ. REFERENCE (IN)	J1-5	TB1-5
	30	----	----	TB1-6
J1-27B	31	+12 VAC (IN)	J1-7	TB1-7
K1-10	32	SIGNAL BUS CONTROL (IN)	J1-8	TB1-8
	33	----	----	TB1-9
K1-2	34	FILTERED AC NEUTRAL (IN)	J1-10	TB1-10
MMB-18	35	CONT. EQUIP. AC LINE (OUT)	J1-11	TB1-11
J3-1	36	FILTERED AC LINE (IN)	J1-12	TB1-12

①
2.2K
10W



LOADBAY AND FLASH RELAY'S

B	1	M.M.U. RESET	MMA-49	J2-21B	RG. 1 INHBT. MAX.
	2	24 V. MON. INHBT.	MMA-36	J2-22A	RG. 2 INHBT. MAX.
	3	M.M.U. +24 V. MON. 2	J3-23	J1-23B	RG. 1 FORCE OFF
	4	M.M.U. +24 V. MON. 1	MMB-15	J1-24A	RG. 2 FORCE OFF
	5	FAULT MON.	J3-28	J1-22B	RG. 1 MAX. 2 SEL.
	6	PC1 PED. DET. 1	MMA-35	J1-23A	RG. 2 MAX. 2 SEL.
	7	PC3 PED. DET. 3	J1-26B	J1-24B	CALL NON-ACC 1
	8	PC5 PED. DET. 5	J2-25B	J2-19A	CALL NON-ACC 2
	9	PC7 PED. DET. 7	J2-26B	J1-25A	WALK REST MDR.
	10	B.I.U. SPR. 1	J2-19B	J1-20A	EXT. MIN. RECALL
	11	B.I.U. SPR. 2	J2-20A	J1-20B	EXT. START
	12	B.I.U. SPR. 3	J2-20B	J1-17A	TEST INPUT A
	13	B.I.U. SPR. 4	J2-21A	J1-17B	TEST INPUT B
	14	LOGIC GND.	MMA-17 J1-32A A-20	J2-25A	TEST INPUT C
	15	PMT. CALL 1	J1-16A	J1-21A	T.B.C. ON LINE
	16	PMT. CALL 2	J1-16B	J1-14A	T.B.C. AUX. 1
	17	PMT. CALL 3	J2-17A	J1-14B	T.B.C. AUX. 2
	18	PMT. CALL 4	J2-17B	J2-14A	T.B.C. AUX. 3
	19	PMT. CALL 5	J2-18A	J2-14B	COORD. STATUS OUT
	20	PMT. CALL 6	J2-18B	MMA-55 A-27	LOGIC GND.

J16-19
J16-20
J16-17
J16-18

P1	MMA AC+ I IN	MMA-1	J1-15A	PMT. 1 ACTV.
P2	DR1 OPEN	MMA-2	J1-15B	PMT. 2 ACTV.
P3	DR2 CLSD	MMA-3	J2-15A	PMT. 3 ACTV.
P4	MMA SPR 1	MMA-48	J2-15B	PMT. 4 ACTV.
P5	CAB INTLK A	MMA-50	J2-16A	PMT. 5 ACTV.
P6	CAB INTLK B	MMA-51	J2-16B	PMT. 6 ACTV.
P7	MMA SPR 2	MMA-54	MMA-21 A-20 A-35	LOGIC GND
P8	SDR OPEN	MMB-3		LOGIC GND
P9	MMB SPR 1	MMB-14		LOGIC GND
P10	MMB SPR 2	MMB-16	J1-21B J1-22A J3-17	STOP TIMING 1 & 2
P11	MMB SPR 3	MMB-25	J2-23A J3-16	MMU STOP TIMING
P12			J2-22B	LOCAL FLASH STATUS
P13			J3-18	ALARM 1
P14			J2-23B	ALARM 2
P15			J3-20	LOGIC GND
P16			J2-24A	DIM. ENABLE
P17			J3-21	AUTO FLASH
P18			A-27 J3-25 J3-14	COORD. FREE
P19			J1-18B	MANUAL CONT. ENABLE
P20			J1-18A	INTRV. ADV.
P21	AC+	MMB-6	J1-18A	
P22	AC+	MMB-19	J2-24B	
P23	AC+	MMB-5	J3-19	
P24	AC+	MMB-4	J1-19A	
P25			J3-13	
P26			J1-19B	
P27			J3-15	

LS8-11
DS2-1
DS2-2

INTERFACE TERMINAL BLOCKS

BIU #1			BIU #2		
J1 PIN	FUNCTION	TO	J2 PIN	FUNCTION	TO
1A	+24 VDC	K1-11	1A	+24 VDC	J2-1B
1B	+24 VDC	J2-1B	1B	+24 VDC	J1-1B
2A	LS1 RED	LS1-6	2A	LS9 RED	LS9-6
2B	LS1 YELLOW	LS1-8	2B	LS9 YELLOW	LS9-8
3A	LS1 GREEN	LS1-10	3A	LS9 GREEN	LS9-10
3B	LS2 RED	LS2-6	3B	LS10 RED	LS10-6
4A	LS2 YELLOW	LS2-8	4A	LS10 YELLOW	LS10-8
4B	LS2 GREEN	LS2-10	4B	LS10 GREEN	LS10-10
5A	LS3 RED	LS3-6	5A	LS11 RED	LS11-6
5B	LS3 YELLOW	LS3-8	5B	LS11 YELLOW	LS11-8
6A	LS3 GREEN	LS3-10	6A	LS11 GREEN	LS11-10
6B	LS4 RED	LS4-6	6B	LS12 RED	LS12-6
7A	LS4 YELLOW	LS4-8	7A	LS12 YELLOW	LS12-8
7B	LS4 GREEN	LS4-10	7B	LS12 GREEN	LS12-10
8A	LS5 RED	LS5-6	8A	LS13 RED	LS13-6
8B	LS5 YELLOW	LS5-8	8B	LS13 YELLOW	LS13-8
9A	LS5 GREEN	LS5-10	9A	LS13 GREEN	LS13-10
9B	LS6 RED	LS6-6	9B	LS14 RED	LS14-6
10A	LS6 YELLOW	LS6-8	10A	LS14 YELLOW	LS14-8
10B	LS6 GREEN	LS6-10	10B	LS14 GREEN	LS14-10
11A	LS7 RED	LS7-6	11A	LS15 RED	LS15-6
11B	LS7 YELLOW	LS7-8	11B	LS15 YELLOW	LS15-8
12A	LS7 GREEN	LS7-10	12A	LS15 GREEN	LS15-10
12B	LS8 RED	LS8-6	12B	LS16-RED	LS16-6
13A	LS8 YELLOW	LS8-8	13A	LS16-YELLOW	LS16-8
13B	LS8 GREEN	LS8-10	13B	LS16-GREEN	LS16-10
14A	TBC AUX 1	A-16	14A	TBC AUX 3	A-18
14B	TBC AUX 2	A-17	14B	COORD. STATUS	A-19
15A	PMT ACT 1	A-21	15A	PMT ACT 3	A-23
15B	PMT ACT 2	A-22	15B	PMT ACT 4	A-24
16A	PMT CALL 1	B-15	16A	PMT ACT 5	A-25
16B	PMT CALL 2	B-16	16B	PMT ACT 6	A-26
17A	TEST A	A-12	17A	PMT CALL 3	B-17
17B	TEST B	A-13	17B	PMT CALL 4	B-18
18A	AUTO FLASH	A-37	18A	PMT CALL 5	B-19
18B	DIM. ENABLE	A-36	18B	PMT CALL 6	B-20
19A	MANUAL CONT.	A-39	19A	CNA 2	A-8
19B	INT. ADVANCE	A-40	19B	SPARE 1	B-10
20A	EXT. MIN. RECALL	A-10	20A	SPARE 2	B-11
20B	EXT. START	A-11	20B	SPARE 3	B-12
21A	TBC ONLINE	A-15	21A	SPARE 4	B-13
21B	STOP TIME (1)	A-30	21B	INHIBIT MAX (1)	A-1
22A	STOP TIME (2)	A-30	22A	INHIBIT MAX (2)	A-2
22B	MAX. 2 (1)	A-5	22B	LOCAL FLASH	A-32
23A	MAX. 2 (2)	A-6	23A	MMU FLASH	A-31
23B	FORCE OFF (1)	A-3	23B	ALARM 1	A-33
24A	FORCE OFF (2)	A-4	24A	ALARM 2	A-34
24B	CNA 1	A-7	24B	COORD FREE IN	A-38
25A	WALK REST MOD.	A-9	25A	TEST C	A-14
25B	PED. ISD. 1	B-6	25B	PED. ISD. 5	B-8
26A	PED. ISD. 2	PC2-A	26A	PED. ISD. 6	PC6-A
26B	PED. ISD. 3	B-7	26B	PED. ISD. 7	B-9
27A	PED. ISD. 4	PC4-A	27A	PED. ISD. 8	PC8-A
27B	PED. ISD. COMN.	J3-31	27B	PED. ISD. COMN.	J1-27B
28A	ADDR. SEL. 0	-----	28A	ADDR. SEL. 0	J2-32A
28B	ADDR. SEL. 1	-----	28B	ADDR. SEL. 1	-----
29A	ADDR. SEL. 2	-----	29A	ADDR. SEL. 2	-----
29B	ADDR. SEL. 3	-----	29B	ADDR. SEL. 3	-----
30A	RESERVED	-----	30A	RESERVED	-----
30B	RESERVED	-----	30B	RESERVED	-----
31A	EARTH GND.	LS12-2	31A	EARTH GND.	J1-31A
31B	LINE FREQ. REF.	J3-29	31B	LINE FREQ. REF.	J1-31B
32A	LOGIC GND.	B-14	32A	LOGIC GND.	J1-32B
32B	LOGIC GND.	J2-32A	32B	LOGIC GND.	J2-32A

MAIN PANEL CONTROL POWER C/C 34842G4	
PIN	FUNCTION
1	LOGIC GND
2	+24 VDC (IN)
3	-----
4	MMU FAULT MONITOR (IN)
5	LINE FREQ. REFERENCE (IN)
6	-----
7	+12 VAC (IN)
8	SIGNAL BUS CONTROL (IN)
9	-----
10	FILTERED AC NEUTRAL (IN)
11	CONT. EQUIP. AC LINE (OUT)
12	FILTERED AC LINE (IN)

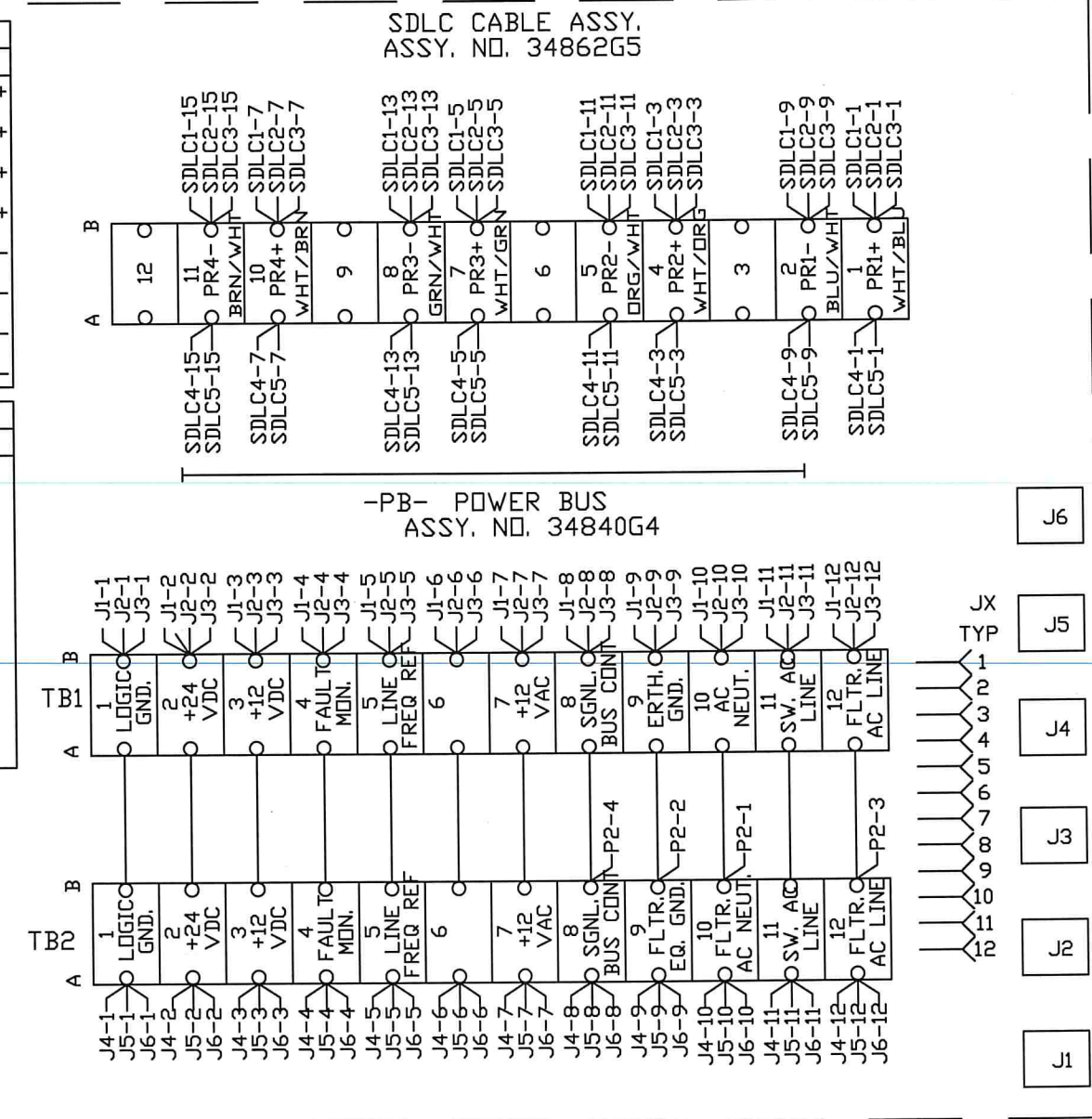
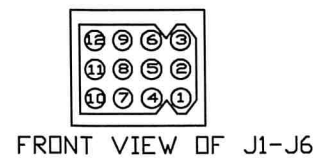
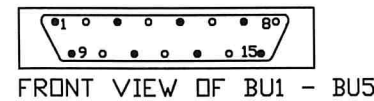
CONTROLLER POWER (CCA2) C/C 34842G3			
WIRE	PIN	SIGNAL	TO
1	A	FAULT MONITOR	PB-4
2	U	AC NEUTRAL	PB-10
3	V	EARTH GROUND	PB-9
4	W	LOGIC GROUND	PB-1
5	P	AC LINE	PB-11
6	SHL	EARTH GROUND	CCA2-V

TYPE 1 CONTROLLER POWER C/C 34842G2		
PIN	FUNCTION	TO
A	AC NEUTRAL	PB-10
B	-----	-----
C	AC LINE	PB-11
D	-----	-----
E	-----	-----
F	FAULT MDN.	PB-4
G	LOGIC GND.	PB-1
H	EARTH GND.	PB-9
I	-----	-----
J	-----	-----
SHL	EARTH GND.	PIN H

CABINET POWER SUPPLY C/C 34842G1		
PIN	FUNCTION	TO
A	AC NEUTRAL	PB-10
B	LINE FREQUENCY REF.	PB-5
C	AC LINE	PB-11
D	+12 VDC	PB-3
E	+24 VDC	PB-2
F	RESERVED	-----
G	LOGIC GND.	PB-1
H	EARTH GND.	PB-9
I	+12 VAC	PB-7
J	RESERVED	-----
SHL	EARTH GND.	PIN H

CONTROLLER PORT 1 CONNECTOR			
PIN	SIGNAL	TO	FUNCTION
1	TWISTED PAIR 1+	SDLC-1	CONT TXD+
2	LOGIC GND.	-----	-----
3	TWISTED PAIR 2+	SDLC-4	CONT TXC+
4	LOGIC GND.	-----	-----
5	TWISTED PAIR 3+	SDLC-7	CONT RXD+
6	LOGIC GND.	-----	-----
7	TWISTED PAIR 4+	SDLC-10	CONT RXC+
8	LOGIC GND.	-----	-----
9	TWISTED PAIR 1-	SDLC-2	CONT TXD-
10	PORT 1 DISABLE	-----	-----
11	TWISTED PAIR 2-	SDLC-5	CONT TXC-
12	EARTH GND.	SHIELD WIRE	-----
13	TWISTED PAIR 3-	SDLC-8	CONT RXD-
14	RESERVED	-----	-----
15	TWISTED PAIR 4-	SDLC-11	CONT RXC-

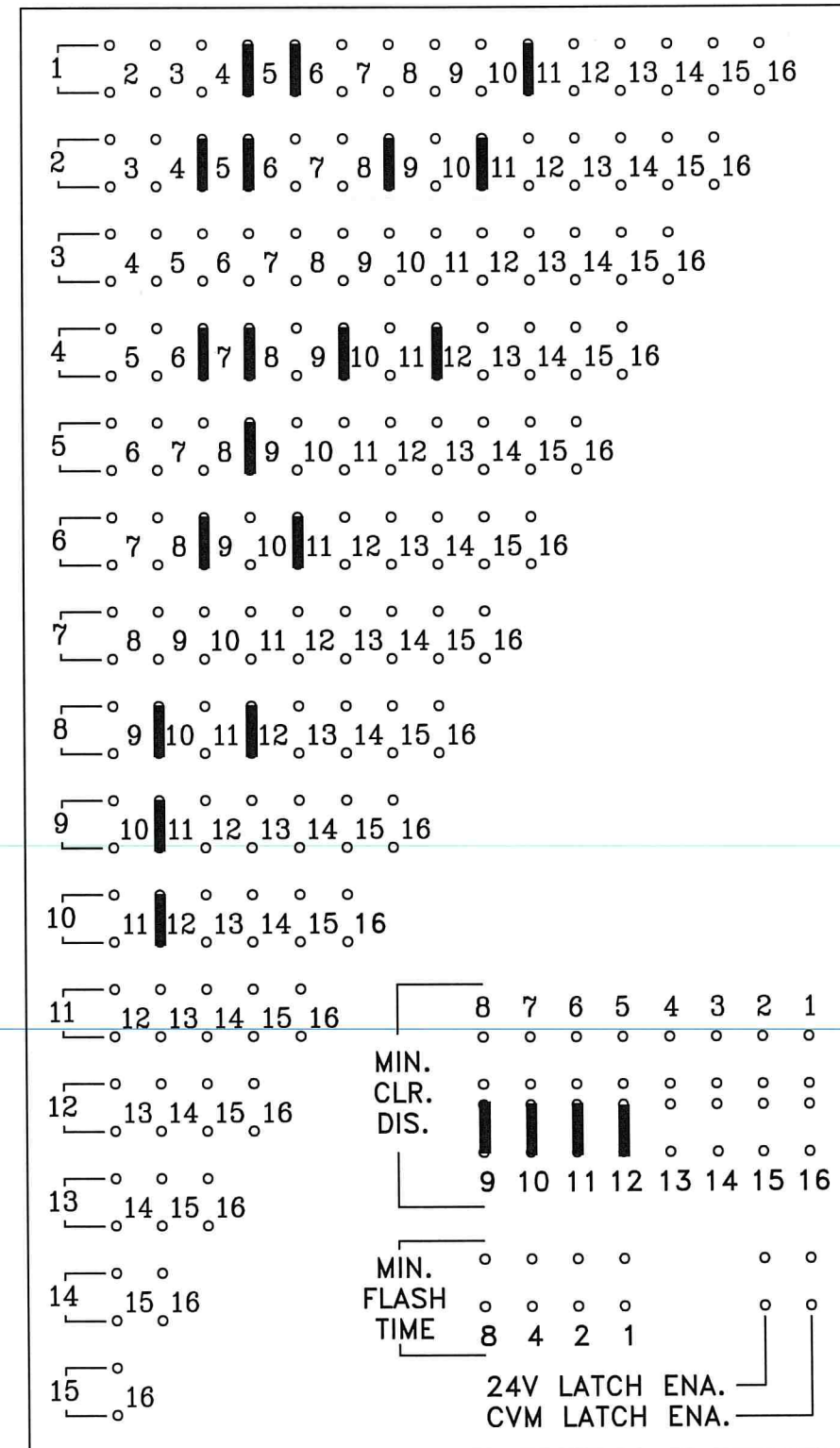
MMU & BIU PORT 1 CONNECTOR			
PIN	SIGNAL	TO	FUNCTION
1	TWISTED PAIR 1+	SDLC-1	BIU RXD+
2	LOGIC GND.	-----	-----
3	TWISTED PAIR 2+	SDLC-4	BIU RXC+
4	LOGIC GND.	-----	-----
5	TWISTED PAIR 3+	SDLC-7	BIU TXD+
6	LOGIC GND.	-----	-----
7	TWISTED PAIR 4+	SDLC-10	BIU TXC+
8	LOGIC GND.	-----	-----
9	TWISTED PAIR 1-	SDLC-2	BIU RXD-
10	PORT 1 DISABLE	-----	-----
11	TWISTED PAIR 2-	SDLC-5	BIU RXC-
12	EARTH GND.	SHIELD WIRE	-----
13	TWISTED PAIR 3-	SDLC-8	BIU TXD-
14	RESERVED	-----	-----
15	TWISTED PAIR 4-	SDLC-11	BIU TXC-



BIU AND CONNECTING CABLES

WIRE LIST FOR NEMA MALFUNCTION MANAGEMENT UNIT														
CONNECTOR "A" (MMA)					CONNECTOR "B" (MMB)									
PIN	WIRE	MON. FUNCTION	TO	SIG. FUNCTION	PIN	WIRE	MON. FUNCTION	TO	SIG. FUNCTION					
A	A-1	AC+ I INPUT	B21		A	B-1	AC+ II INPUT	J3-2	MMU POWER					
B	A-2	OUT RLY 1 OPEN	B22		B	B-2	S. DLY RLY COMM.	J3-6	MMU POWER					
C	A-3	OUT RLY 2 CLSD	B23		C	B-3	S. DLY RLY OPEN	B28						
D	A-4	CH. 12 GREEN	12G-A	^8 WLK	D	B-4	CH. 12 RED	B40						
E	A-5	CH. 11 GREEN	11G-A	^6 WLK	E	B-5	CH. 11 RED	B39						
F	A-6	CH. 10 GREEN	10G-A	^4 WLK	F	B-6	CH. 9 RED	B37						
G	A-7	CH. 9 GREEN	9G-A	^2 WLK	G	B-7	CH. 8 RED	8R-A	^8 RED					
H	A-8	CH. 8 GREEN	8G-A	^8 GRN	H	B-8	CH. 7 RED	7R-A	^7 RED					
J	A-9	CH. 7 GREEN	7G-A	^7 GRN	J	B-9	CH. 6 RED	6R-A	^6 RED					
K	A-10	CH. 6 GREEN	6G-A	^6 GRN	K	B-10	CH. 5 RED	5R-A	^5 RED					
L	A-11	CH. 5 GREEN	5G-A	^5 GRN	L	B-11	CH. 4 RED	4R-A	^4 RED					
M	A-12	CH. 4 GREEN	4G-A	^4 GRN	M	B-12	CH. 2 RED	2R-A	^2 RED					
N	A-13	CH. 3 GREEN	3G-A	^3 GRN	N	B-13	CH. 1 RED	1R-A	^1 RED					
P	A-14	CH. 2 GREEN	2G-A	^2 GRN	P	B-14	(SPARE 1)	B29						
R	A-15	CH. 1 GREEN	1G-A	^1 GRN	R	B-15	+24V MONITOR II	B-3	+24V MON. II					
S	A-16	+24V MON. I	B-4	LS +24V MON.	S	B-16	(SPARE 2)	B30						
T	A-17	LOGIC GND	B-14	LOGIC GND	T	B-17	CH. 13 RED	13R-A	OLA RED					
U	A-18	CHASSIS GND	LS7-2	EARTH GND.	U	B-18	S. DLY RLY CLSD	J3-35	CONT. POWER					
V	A-19	AC- (COMMON)	K1-2	AC NEUTRAL	V	B-19	CH. 10 RED	B38						
W	A-20	OUT RLY 1 COM.	J3-7	SIG BUS CONT	W	B-20	CH. 14 RED	14R-A	OLB RED					
X	A-21	OUT RLY 2 COM.	A-27	LOGIC GND	X	B-21	CH. 15 RED	15R-A	OLC RED					
Y	A-22	CH. 12 YELLOW	-T-		Y	B-22	CH. 16 RED	16R-A	OLD RED					
Z	A-23	CH. 11 YELLOW	-T-		Z	B-23	CH. 3 RED	3R-A	^3 RED					
a	A-24	CH. 10 WALK	----		a	B-24	RED ENABLE	LS8-1	SIG BUS CON.					
b	A-25	CH. 10 YELLOW	-T-		b	B-25	(SPARE 3)	B31						
c	A-26	CH. 9 YELLOW	-T-		c	B-26	LOCAL FLASH IN	CAPPED	POL/AX FLSH					
d	A-27	CH. 8 YELLOW	8Y-A	^8 YEL		B-27	SHELL GROUND	LS6-2	EARTH GND.					
e	A-28	CH. 7 YELLOW	7Y-A	^7 YEL	<p>NOTES FOR 16 CHANNEL M.M.U.</p> <p>(1) RELAY CONTACT POSITIONS SPECIFIED ARE FOR NON-CONFLICT MODE.</p> <p>(2) TO PROGRAM MMU, SOLDER JUMPERS IN PROGRAMMING CARD FOR ALL PERMISSABLE PHASE MOVEMENTS, MINIMUM CHANGE DIS-ABLE FOR ALL PEDESTRIAN CHANNELS, AND MIN. FLASH, VOLTAGE MON., AND 24V. MON. LATCH OPTIONS AS DESIRED.</p> <p>M.M.U. CHANNEL ASSIGNMENTS</p> <p>CH. 1 = L/S 1 = ^1 VEH.</p> <p>CH. 2 = L/S 2 = ^2 VEH.</p> <p>CH. 3 = L/S 3 = ^3 VEH.</p> <p>CH. 4 = L/S 4 = ^4 VEH.</p> <p>CH. 5 = L/S 5 = ^5 VEH.</p> <p>CH. 6 = L/S 6 = ^6 VEH.</p> <p>CH. 7 = L/S 7 = ^7 VEH.</p> <p>CH. 8 = L/S 8 = ^8 VEH.</p> <p>CH. 9 = L/S 9 = ^2 PED.</p> <p>CH. 10 = L/S 10 = ^4 PED.</p> <p>CH. 11 = L/S 11 = ^6 PED.</p> <p>CH. 12 = L/S 12 = ^8 PED.</p> <p>CH. 13 = L/S 13 = OLAP A</p> <p>CH. 14 = L/S 14 = OLAP B</p> <p>CH. 15 = L/S 15 = OLAP C</p> <p>CH. 16 = L/S 16 = OLAP D</p>									
f	A-29	CH. 6 YELLOW	6Y-A	^6 YEL										
g	A-30	CH. 5 YELLOW	5Y-A	^5 YEL										
h	A-31	CH. 3 YELLOW	3Y-A	^3 YEL										
i	A-32	CH. 15 GREEN	15G-A	OLC GRN										
j	A-33	CH. 2 YELLOW	2Y-A	^2 YEL										
k	A-34	CH. 1 YELLOW	1Y-A	^1 YEL										
m	A-35	CONT. VOLT. MON.	B-5	VOLT. MON.										
n	A-36	+24V MON. INH.	B-2											
p	A-37	OUT RLY 1 CLSD	J3-3											
q	A-38	OUT RLY 2 OPEN	A-31	STOP TIME										
r	A-39	CH. 12 WALK	----											
s	A-40	CH. 11 WALK	----											
t	A-41	CH. 9 WALK	----											
u	A-42	CH. 16 YELLOW	16Y-A	OLD YEL										
v	A-43	CH. 15 YELLOW	15Y-A	OLC YEL										
w	A-44	CH. 13 YELLOW	13Y-A	OLA YEL										
x	A-45	CH. 4 YELLOW	4Y-A	^4 YEL										
y	A-46	CH. 14 GREEN	14G-A	OLB GRN										
z	A-47	CH. 13 GREEN	13G-A	OLA GRN										
AA	A-48	(SPARE 1)	B24											
BB	A-49	RESET	B-1											
CC	A-50	CAB. INTLK A	B25											
DD	A-51	CAB. INTLK B	B26											
EE	A-52	CH. 14 YELLOW	14Y-A	OLB YRL										
FF	A-53	CH. 16 GREEN	16G-A	OLD GRN										
GG	A-54	(SPARE 2)	B27											
HH	A-55	TYPE SELECT	A-20	MMU/CMU SEL.										
	A-56	SHELL GND	LS15-2	EARTH GND.										

MMU PROGRAM CARD



M.M.U. C/C'S AND PROGRAM CARD

DETECTOR RACK 34030G1

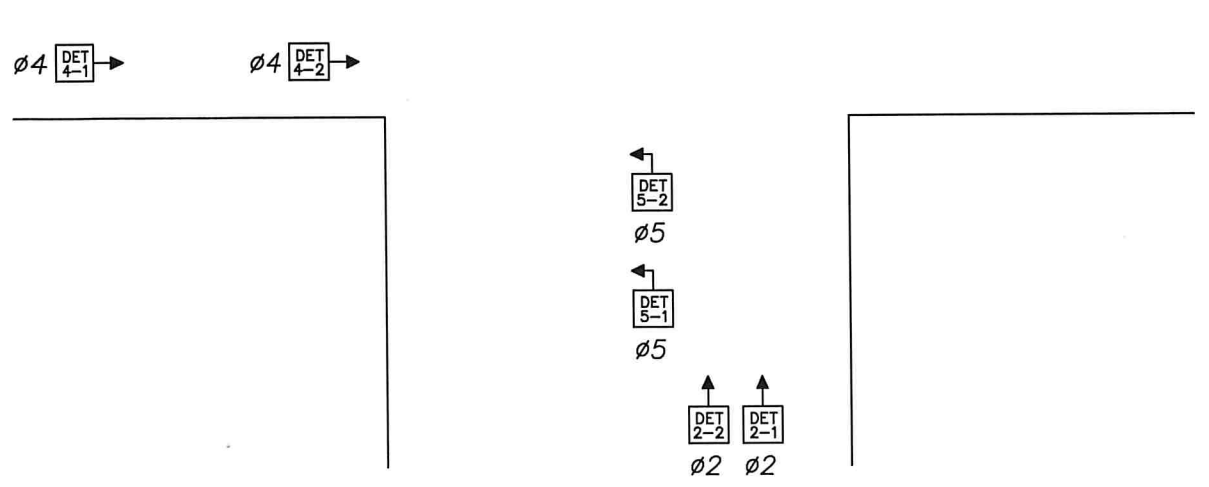
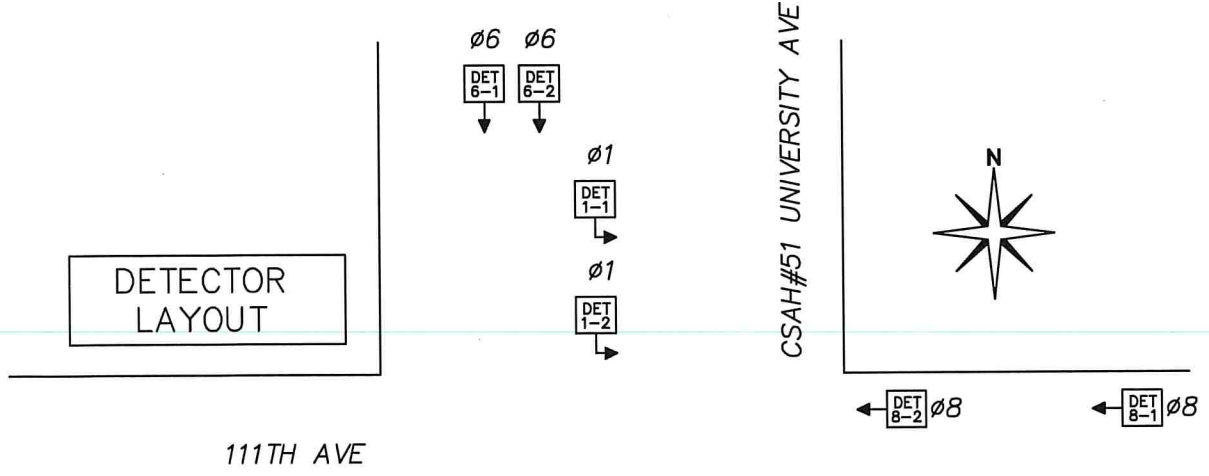
POWER SUPPLY OR B.I.U.	L3	L1	L7	L5	L11	L9	L15	L13	PMT 5 8	PMT 3 1-6	PGM. CARD
	5-1	1-1	5-1	2-1	∅	4-1	∅	8-1			
	<input type="checkbox"/> 2CH 5-2	<input type="checkbox"/> 2CH 1-2	<input type="checkbox"/> 2CH 5-2	<input type="checkbox"/> 2CH 2-2	<input type="checkbox"/> 2CH ∅	<input type="checkbox"/> 2CH 4-2	<input type="checkbox"/> 2CH ∅	<input type="checkbox"/> 2CH 8-2	<input type="checkbox"/> 2CH OPTICOM/ OPIC CH. C CH. D 4	<input type="checkbox"/> 4CH <input type="checkbox"/> 2CH OPTICOM/ OPIC CH. A CH. B 2-5	
	L4	L2	L8	L6	L12	L10	L16	L14	PMT 6	PMT 4	

<input checked="" type="checkbox"/> J13 C/C 33284G10 DC POWER	<input checked="" type="checkbox"/> J16 C/C 33284G8 EXP. OUTPUTS	<input checked="" type="checkbox"/> J14 C/C 33284G2 LPS 1-8	<input type="checkbox"/> J18 C/C 33284G9 SYS. OUTPUTS	<input checked="" type="checkbox"/> J15 C/C 33284G3 LPS 9-16	<input checked="" type="checkbox"/> J17 C/C 33284G6 AC POWER	<input checked="" type="checkbox"/> J19 C/C 33284G17 PGM. CARD
---	--	---	---	--	--	--

①

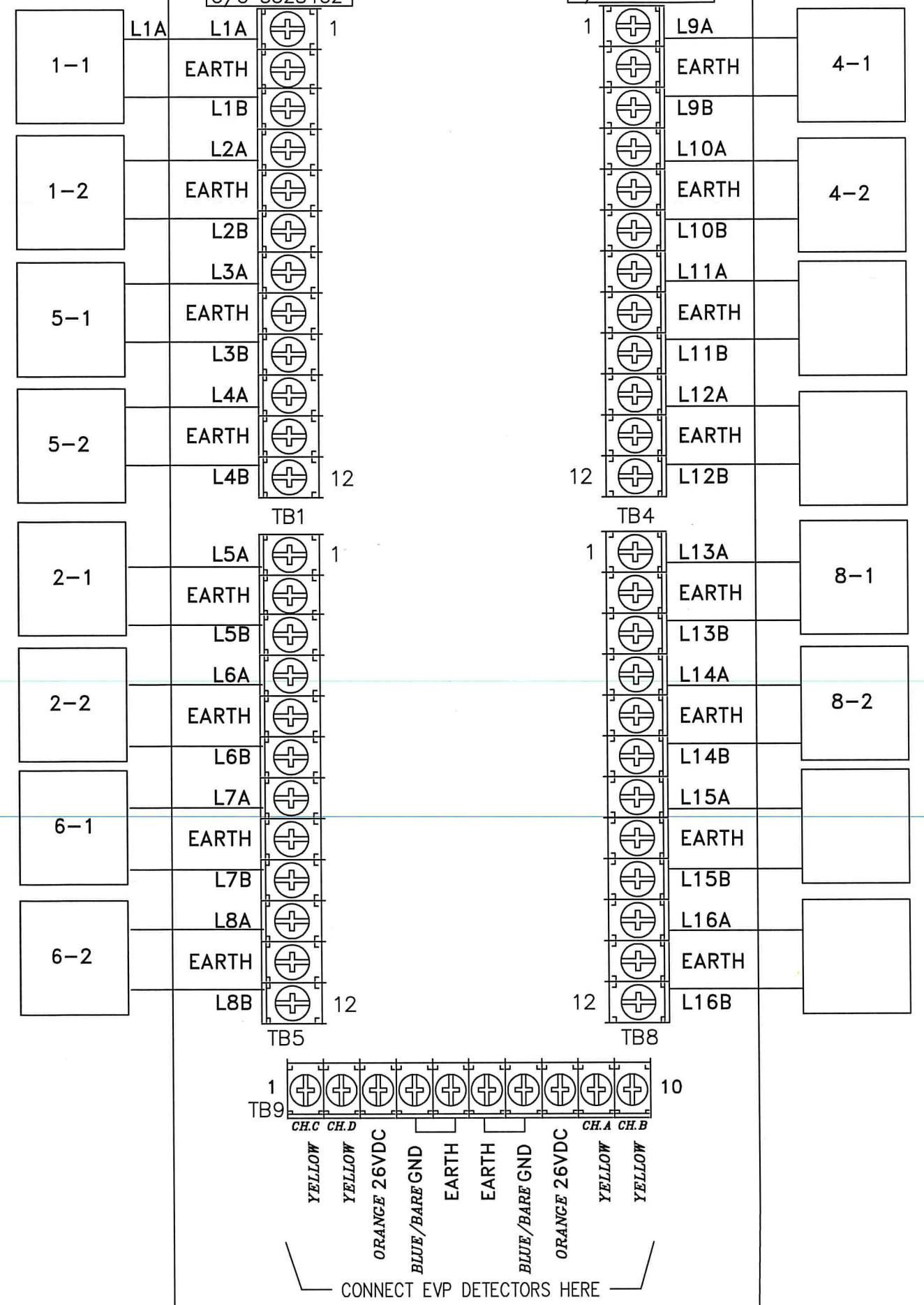
RACK #	JMPR	DET. #'S	RACK #	JMPR	DET. #'S
1		1-16	5		65-80
2		17-32	6		81-96
3		33-48	7		97-112
4		49-64	8		113-128

CONT. INPUT	PHASE ASGN.	DETECTOR TYPE
1	1-1	1
2	1-2	1
3	5-1	1
4	5-2	1
5	2-1	1
6	2-2	1
7	5-1	1
8	5-2	1
9	4-1	1
10	4-2	1
11		
12		
13	8-1	1
14	8-2	1
15		
16		
17		
18		
19		
20		
21		
22		
23		
24		
25		
26		
27		
28		
29		
30		
31		
32		
33		
34		
35		
36		



DET. TYPE	JP1	JP2	SLOT 1/2 ①								SLOT 3/4 ①								SLOT 5/6 ①								SLOT 7/8 ①							
			JP3	JP4	JP5	JP6	JP7	JP8	JP9	JP10	JP11	JP12	JP13	JP14	JP15	JP16	JP17	JP18	JP19	JP20	JP21	JP22	JP23	JP24	JP25	JP26	JP27	JP28	JP29	JP30				
① TS-1	NO	NO																																
② TS-2	YES	YES																																
③ LM-632T 262-FC	NO	NO																																
④ MAG.	NO	NO																																

DETECTOR LOOP
INTERFACE
ASSY. 34040G1



DET. LOOPS 9-16 (J15) C/C 33284G3

PIN	SIGNAL	TO
1	LOOP 9+	LPI2: TB4-1
2	LOOP 9-	LPI2: TB4-3
3	LOOP 10+	LPI2: TB4-4
4	LOOP 10-	LPI2: TB4-6
5	LOOP 11+	LPI2: TB4-7
6	LOOP 11-	LPI2: TB4-9
7	LOOP 12+	LPI2: TB4-10
8	LOOP 12-	LPI2: TB4-12
9	LOOP 13+	LPI2: TB8-1
10	LOOP 13-	LPI2: TB8-3
11	LOOP 14+	LPI2: TB8-4
12	LOOP 14-	LPI2: TB8-6
13	LOOP 15+	LPI2: TB8-7
14	LOOP 15-	LPI2: TB8-9
15	LOOP 16+	LPI2: TB8-10
16	LOOP 16-	LPI2: TB8-12
17	----	
18	----	
19	----	
20	----	

DET. LOOPS 1-8 (J14) C/C 33284G2

PIN	SIGNAL	TO
1	LOOP 1+	LPI1: TB1-1
2	LOOP 1-	LPI1: TB1-3
3	LOOP 2+	LPI1: TB1-4
4	LOOP 2-	LPI1: TB1-6
5	LOOP 3+	LPI1: TB1-7
6	LOOP 3-	LPI1: TB1-9
7	LOOP 4+	LPI1: TB1-10
8	LOOP 4-	LPI1: TB1-12
9	LOOP 5+	LPI1: TB5-1
10	LOOP 5-	LPI1: TB5-3
11	LOOP 6+	LPI1: TB5-4
12	LOOP 6-	LPI1: TB5-6
13	LOOP 7+	LPI1: TB5-7
14	LOOP 7-	LPI1: TB5-9
15	LOOP 8+	LPI1: TB5-10
16	LOOP 8-	LPI1: TB5-12
17	PMT. DET. CH. C	LPI1: TB9-1
18	PMT. DET. CH. D	LPI1: TB9-2
19	KEY PIN	
20	PMT. CH. C/D +26VDC	LPI1: TB9-3
21	PMT. DC GROUND	LPI1: TB9-4,7
22	PMT. CH. A/B +26VDC	LPI1: TB9-8
23	PMT. DET. CH. A	LPI1: TB9-9
24	PMT. DET. CH. B	LPI1: TB9-10
25	----	
26	----	

DET. RACK POWER
C/C 34842G5

P1/ DR: J13	P2/ DR: J17	FUNCTION	TO
1		+12 VDC (DET. POWER)	PB-3
2		+24 VDC (BIU POWER)	PB-2
3		LOGIC GROUND	PB-1
4		EARTH GROUND	PB-9
5		"KEY PIN"	
6		LINE FREQUENCY REF.	PB-5
	1	EARTH GROUND	----
	2	AC LINE	PB-12
	3	AC NEUTRAL	PB-10
	4	LOGIC GROUND	----

EXPANSION OUTPUTS
C/C 33284G8

J16	FUNCTION	TO
17	DET. 17 / PMT. A OUT	MP: B19
18	DET. 18 / PMT. B OUT	MP: B20
19	PMT. C OUT	MP: B17
20	PMT. D OUT	MP: B18

DETECTOR LOOP INTERFACE

DETECTOR RACK 34030G1

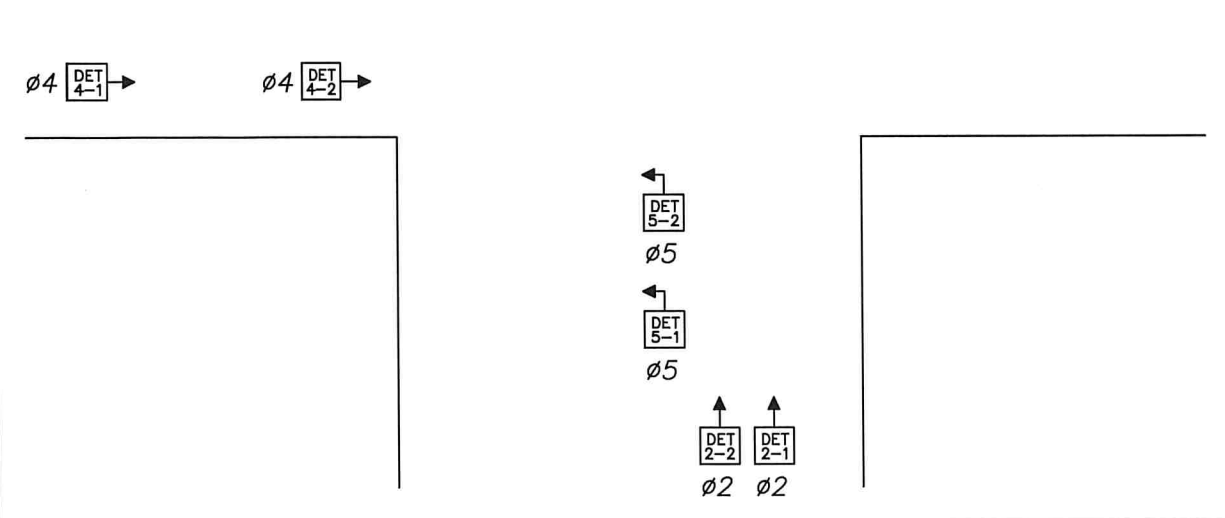
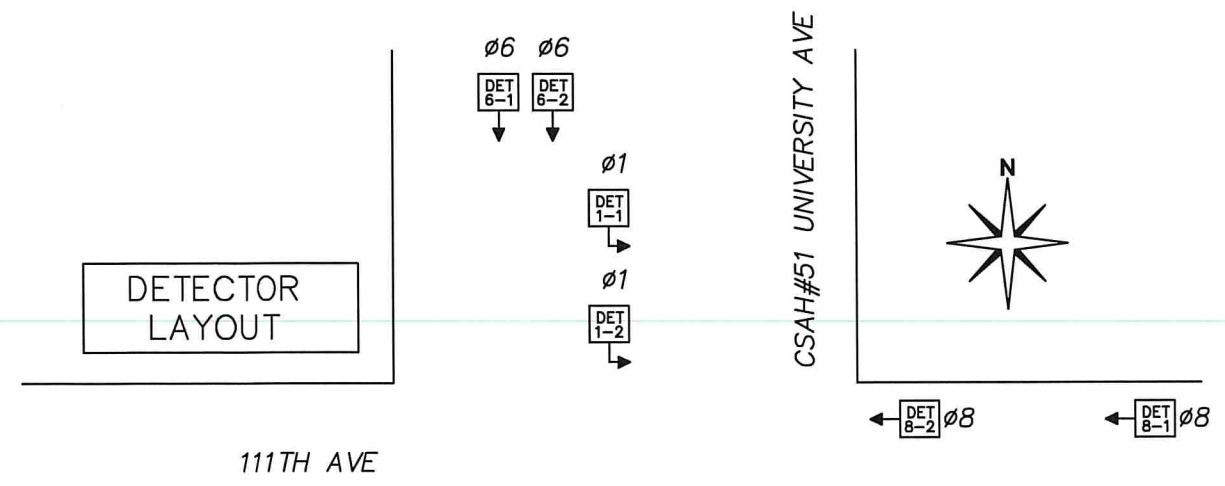
POWER SUPPLY OR B.I.U.	L19	L17	L23	L21	L27	L25	L31	L29	PGM. CARD
	∅	∅	∅	∅	∅	∅	∅	∅	
	□ 2CH ∅	□ 2CH ∅	□ 2CH ∅	□ 2CH ∅	□ 2CH ∅	□ 2CH ∅	□ 2CH ∅	□ 2CH ∅	
	L20	L18	L24	L22	L28	L26	L32	L30	

J13 C/C 33284G10 DC POWER	J16 C/C 33284G8 EXP. OUTPUTS	J14 C/C 33284G2 LPS 1-8	J18 C/C 33284G9 SYS. OUTPUTS	J15 C/C 33284G3 LPS 9-16	J17 C/C 33284G6 AC POWER	J19 C/C 33284G17 PGM. CARD
---------------------------------	------------------------------------	-------------------------------	------------------------------------	--------------------------------	--------------------------------	----------------------------------

②

RACK #	JMPR	DET. #'S	RACK #	JMPR	DET. #'S
1	□□□	1-16	5	□□□	65-80
2	□□□	17-32	6	□□□	81-96
3	□□□	33-48	7	□□□	97-112
4	□□□	49-64	8	□□□	113-128

CONT. INPUT	PHASE ASGN.	DETECTOR TYPE
1	1-1	1
2	1-2	1
3	5-1	1
4	5-2	1
5	2-1	1
6	2-2	1
7	6-1	1
8	6-2	1
9	4-1	1
10	4-2	1
11		
12		
13	8-1	1
14	8-2	1
15		
16		
17		
18		
19		
20		
21		
22		
23		
24		
25		
26		
27		
28		
29		
30		
31		
32		
33		
34		
35		
36		

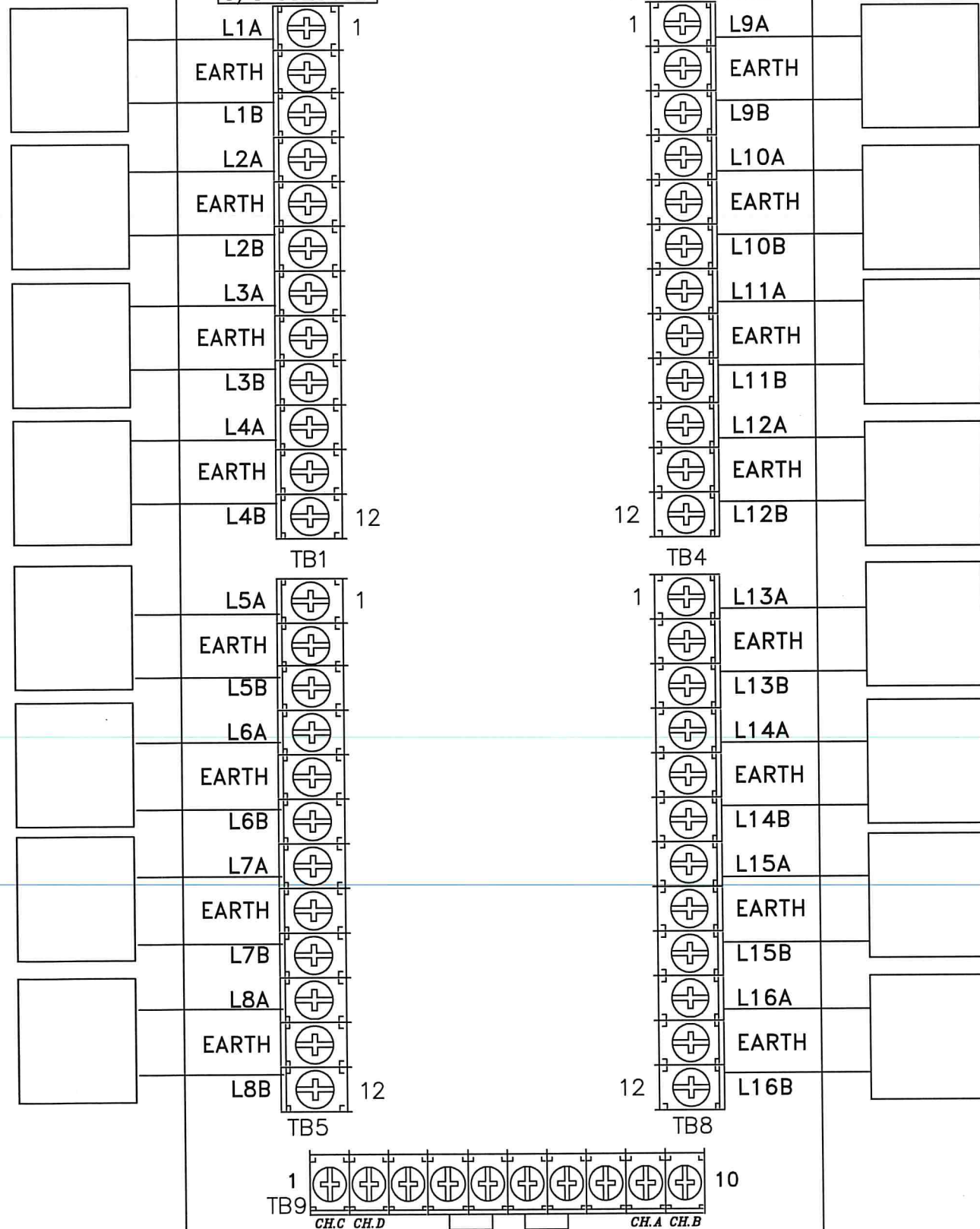


DET. TYPE	JP1	JP2	SLOT 1/2 ①					SLOT 3/4 ①					SLOT 5/6 ①					SLOT 7/8 ①										
			JP3	JP4	JP5	JP6	JP7	JP8	JP9	JP10	JP11	JP12	JP13	JP14	JP15	JP16	JP17	JP18	JP19	JP20	JP21	JP22	JP23	JP24	JP25	JP26	JP27	JP28
① TS-1	NO	NO	○	○	○	○	○	○	○	○	○	○	○	○	○	○	○	○	○	○	○	○	○	○	○	○	○	○
② TS-2	YES	YES	○	○	○	○	○	○	○	○	○	○	○	○	○	○	○	○	○	○	○	○	○	○	○	○	○	○
③ LM-632T 262-FC	NO	NO	○	○	○	○	○	○	○	○	○	○	○	○	○	○	○	○	○	○	○	○	○	○	○	○	○	○
④ MAG.	NO	NO	○	○	○	○	○	○	○	○	○	○	○	○	○	○	○	○	○	○	○	○	○	○	○	○	○	○

DETECTOR LOOP
INTERFACE
ASSY. 34040G1

J1
TO DR1: J14
C/C 33284G2

J2
TO DR1: J15
C/C 33284G3



DET. LOOPS 9-16 (J15) C/C 33284G3

PIN	SIGNAL	TO
1	LOOP 9+	LPI2: TB4-1
2	LOOP 9-	LPI2: TB4-3
3	LOOP 10+	LPI2: TB4-4
4	LOOP 10-	LPI2: TB4-6
5	LOOP 11+	LPI2: TB4-7
6	LOOP 11-	LPI2: TB4-9
7	LOOP 12+	LPI2: TB4-10
8	LOOP 12-	LPI2: TB4-12
9	LOOP 13+	LPI2: TB8-1
10	LOOP 13-	LPI2: TB8-3
11	LOOP 14+	LPI2: TB8-4
12	LOOP 14-	LPI2: TB8-6
13	LOOP 15+	LPI2: TB8-7
14	LOOP 15-	LPI2: TB8-9
15	LOOP 16+	LPI2: TB8-10
16	LOOP 16-	LPI2: TB8-12
17	----	
18	----	
19	----	
20	----	

DET. LOOPS 1-8 (J14) C/C 33284G2

PIN	SIGNAL	TO
1	LOOP 1+	LPI1: TB1-1
2	LOOP 1-	LPI1: TB1-3
3	LOOP 2+	LPI1: TB1-4
4	LOOP 2-	LPI1: TB1-6
5	LOOP 3+	LPI1: TB1-7
6	LOOP 3-	LPI1: TB1-9
7	LOOP 4+	LPI1: TB1-10
8	LOOP 4-	LPI1: TB1-12
9	LOOP 5+	LPI1: TB5-1
10	LOOP 5-	LPI1: TB5-3
11	LOOP 6+	LPI1: TB5-4
12	LOOP 6-	LPI1: TB5-6
13	LOOP 7+	LPI1: TB5-7
14	LOOP 7-	LPI1: TB5-9
15	LOOP 8+	LPI1: TB5-10
16	LOOP 8-	LPI1: TB5-12
17	PMT. DET. CH. C	LPI1: TB9-1
18	PMT. DET. CH. D	LPI1: TB9-2
19	KEY PIN	
20	PMT. CH. C/D +26VDC	LPI1: TB9-3
21	PMT. DC GROUND	LPI1: TB9-4,7
22	PMT. CH. A/B +26VDC	LPI1: TB9-8
23	PMT. DET. CH. A	LPI1: TB9-9
24	PMT. DET. CH. B	LPI1: TB9-10
25	----	
26	----	

DET. RACK POWER C/C 34842G5			
P1/ DR: J13	P2/ DR: J17	FUNCTION	TO
1		+12 VDC (DET. POWER)	PB-3
2		+24 VDC (BIU POWER)	PB-2
3		LOGIC GROUND	PB-1
4		EARTH GROUND	PB-9
5		"KEY PIN"	
6		LINE FREQUENCY REF.	PB-5
	1	EARTH GROUND	----
	2	AC LINE	PB-12
	3	AC NEUTRAL	PB-10
	4	LOGIC GROUND	----

EXPANSION OUTPUTS C/C 33284G8		
J16	FUNCTION	TO
17	DET. 17 / PMT. A OUT	MP: B19
18	DET. 18 / PMT. B OUT	MP: B20
19	PMT. C OUT	MP: B17
20	PMT. D OUT	MP: B18

DETECTOR LOOP INTERFACE

B.I.U	DET	PH	F	DET	DLY	EXT	DET	PH	F	DET	DLY	EXT	DET	PH	F	DET	DLY	EXT	DET	PH	F	DET	DLY	EXT	EVP	PH	POLE #	CONT CH #
	CH 1	1		1-1			CH 5	2		2-1			CH 9	4		4-1			CH 13	8		8-1			CH 1	1-6	1	3
	CH 2	1		1-2			CH 6	2		2-2			CH 10	4		4-2			CH 14	8		8-2			CH 2	2-5	3	4
	CH 3	5		5-1			CH 7	6		6-1			CH 11						CH 15						CH 3	8	2	5
	CH 4	5		5-2			CH 8	6		6-2			CH 12						CH 16						CH 4	4	4	6

B.I.U	DET	PH	F	DET	DLY	EXT	DET	PH	F	DET	DLY	EXT	DET	PH	F	DET	DLY	EXT	DET	PH	F	DET	DLY	EXT				
	CH 17						CH 21						CH 25						CH 29									
	CH 18						CH 22						CH 26						CH 30									
	CH 19						CH 23						CH 27						CH 31									
	CH 20						CH 24						CH 28						CH 32									