

SIGNAL HEAD CHART

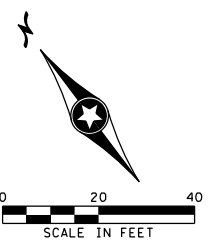
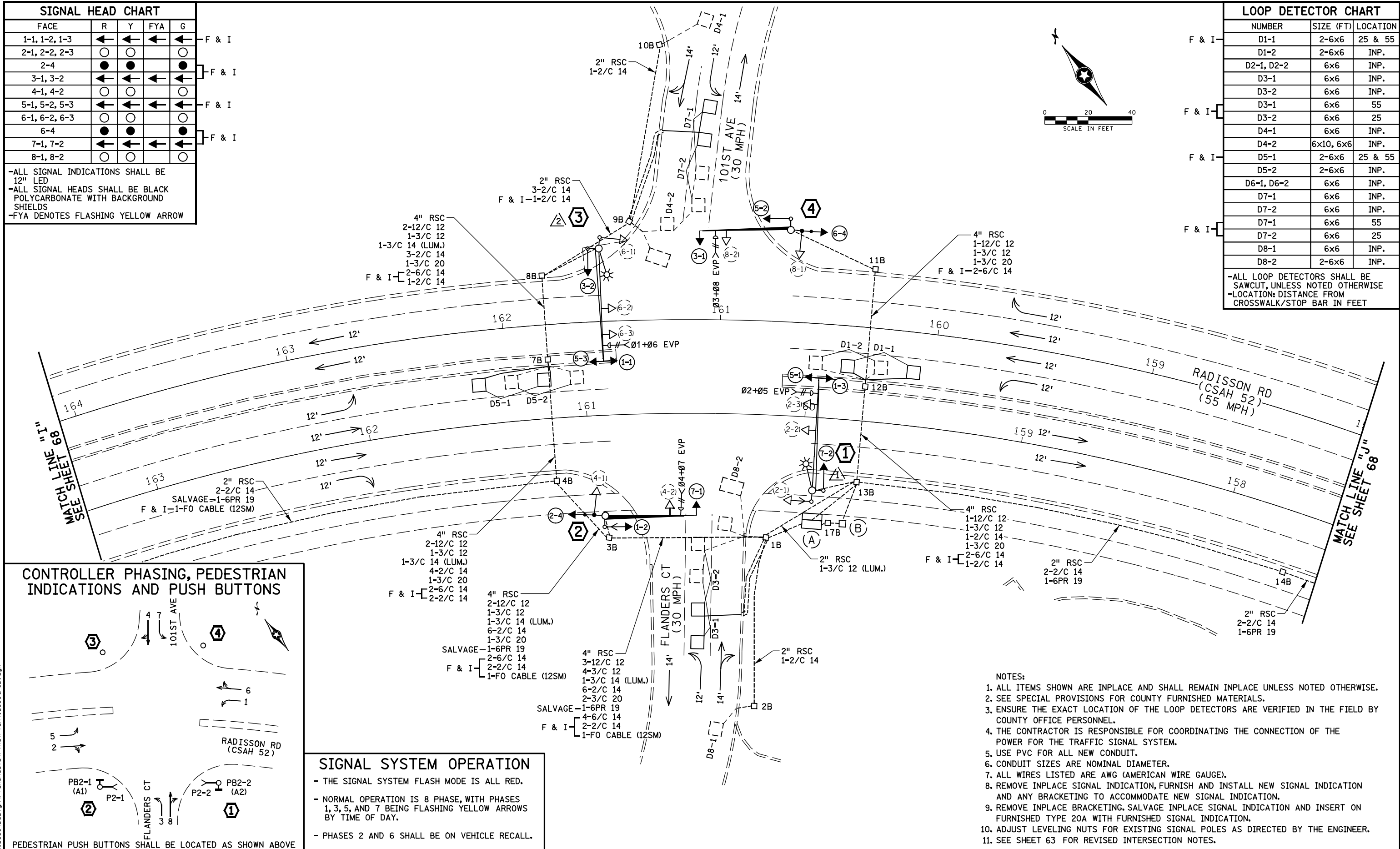
FACE	R	Y	FYA	G
1-1, 1-2, 1-3	←	←	←	○
2-1, 2-2, 2-3	○	○	○	○
2-4	●	●	○	○
3-1, 3-2	←	←	←	○
4-1, 4-2	○	○	○	○
5-1, 5-2, 5-3	←	←	←	○
6-1, 6-2, 6-3	○	○	○	○
6-4	●	●	○	○
7-1, 7-2	←	←	←	○
8-1, 8-2	○	○	○	○

-ALL SIGNAL INDICATIONS SHALL BE 12" LED
 -ALL SIGNAL HEADS SHALL BE BLACK POLYCARBONATE WITH BACKGROUND SHIELDS
 -FYA DENOTES FLASHING YELLOW ARROW

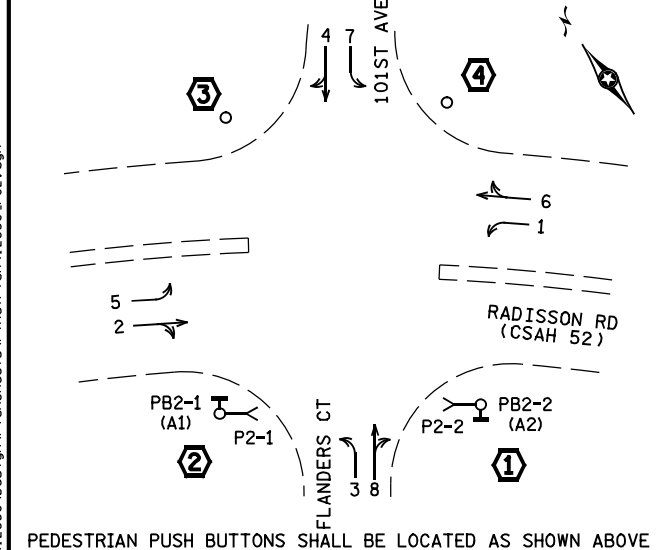
LOOP DETECTOR CHART

NUMBER	SIZE (FT)	LOCATION
D1-1	2-6x6	25 & 55
D1-2	2-6x6	INP.
D2-1, D2-2	6x6	INP.
D3-1	6x6	INP.
D3-2	6x6	INP.
D3-1	6x6	55
D3-2	6x6	25
D4-1	6x6	INP.
D4-2	6x10, 6x6	INP.
D5-1	2-6x6	25 & 55
D5-2	2-6x6	INP.
D6-1, D6-2	6x6	INP.
D7-1	6x6	INP.
D7-2	6x6	INP.
D7-1	6x6	55
D7-2	6x6	25
D8-1	6x6	INP.
D8-2	2-6x6	INP.

-ALL LOOP DETECTORS SHALL BE SAWCUT, UNLESS NOTED OTHERWISE
 -LOCATION: DISTANCE FROM CROSSWALK/STOP BAR IN FEET



CONTROLLER PHASING, PEDESTRIAN INDICATIONS AND PUSH BUTTONS



SIGNAL SYSTEM OPERATION

- THE SIGNAL SYSTEM FLASH MODE IS ALL RED.
- NORMAL OPERATION IS 8 PHASE, WITH PHASES 1, 3, 5, AND 7 BEING FLASHING YELLOW ARROWS BY TIME OF DAY.
- PHASES 2 AND 6 SHALL BE ON VEHICLE RECALL.

- NOTES:**
1. ALL ITEMS SHOWN ARE INPLACE AND SHALL REMAIN INPLACE UNLESS NOTED OTHERWISE.
 2. SEE SPECIAL PROVISIONS FOR COUNTY FURNISHED MATERIALS.
 3. ENSURE THE EXACT LOCATION OF THE LOOP DETECTORS ARE VERIFIED IN THE FIELD BY COUNTY OFFICE PERSONNEL.
 4. THE CONTRACTOR IS RESPONSIBLE FOR COORDINATING THE CONNECTION OF THE POWER FOR THE TRAFFIC SIGNAL SYSTEM.
 5. USE PVC FOR ALL NEW CONDUIT.
 6. CONDUIT SIZES ARE NOMINAL DIAMETER.
 7. ALL WIRES LISTED ARE AWG (AMERICAN WIRE GAUGE).
 8. REMOVE INPLACE SIGNAL INDICATION, FURNISH AND INSTALL NEW SIGNAL INDICATION AND ANY BRACKETING TO ACCOMMODATE NEW SIGNAL INDICATION.
 9. REMOVE INPLACE BRACKETING, SALVAGE INPLACE SIGNAL INDICATION AND INSERT ON FURNISHED TYPE 20A WITH FURNISHED SIGNAL INDICATION.
 10. ADJUST LEVELING NUTS FOR EXISTING SIGNAL POLES AS DIRECTED BY THE ENGINEER.
 11. SEE SHEET 63 FOR REVISED INTERSECTION NOTES.

I hereby certify that this plan, specification, or report was prepared by me or under my direct supervision and that I am a duly Licensed Professional Engineer under the laws of the State of Minnesota.
 Print Name: NATHAN A. POOLE
 Date: 6/19/20 License #: 56071

STATE AID PROJECT NO. 002-652-007, 002-652-008, 106-020-035 CITY PROJ NO. 19-09
 DRAWN BY M. BRESSLER
 DESIGNED BY M. BRESSLER
 CHECKED BY N. POOLE
 COMM. NO. 1912330



ANOKA COUNTY
 TRAFFIC SIGNAL PLANS
 CSAH 52 AT XYLITE STREET, 101ST AVE
 REVISED INTERSECTION LAYOUT (SYSTEM "B")
 RADISSON RD (CSAH 52) AT 101ST AVE\FLANDERS CT

SHEET 62 OF 76

21:08:18 PM 6/19/2020 ...F InaIP\lan\12330_r02.dgn

REVISED INTERSECTION NOTES

① PA100 POLE FOUNDATION
 TYPE PA100-A-50-D40-9 (DAVIT AT 350 DEG)
 REMOVE-1-ONE WAY SIGNAL OVERHEAD AT 0'
 F & I-2-ONE WAY SIGNALS OVERHEAD AT 0'
 2-ONE WAY SIGNALS OVERHEAD AT
 11' AND 23' FROM END OF MAST ARM
 (SEE NOTE 8)-TYPE 10A POLE MOUNTED AT 90 DEG
 TYPE 10B POLE MOUNTED AT 180 DEG
 1-PEDESTRIAN PUSH BUTTON (PB2-2)
 1-ONE WAY EVP DETECTOR AND
 CONFIRMATORY LIGHT (PHASES 2+5)
 LUMINAIRE-200 WATT H.P.S. WITH PEC
 AND CHECK SWITCH
 F & I-1-R10-X12 SIGN ADJACENT TO HEAD (5-1)
 1-TYPE D SIGN
 2-R6-1 SIGNS POLE MOUNTED
 R9-3a SIGN FACING POLE 4
 3" RSC TO HH 13B:
 2-12/C 12
 2-3/C 12
 1-3/C 12 (LUM)
 1-3/C 20
 F & I-2-6/C 14

② PA90 POLE FOUNDATION
 TYPE PA90-A
 REMOVE-35' MAST ARM
 INSTALL-40' MAST ARM
 SALVAGE-1-ONE WAY SIGNAL OVERHEAD AT 0'
 F & I-1-ONE WAY SIGNAL OVERHEAD AT 0'
 INSTALL SALVAGED-1-ONE WAY SIGNAL OVERHEAD AT 11'
 (SEE NOTE 8)-TYPE 10B POLE MOUNTED AT 90 DEG
 (SEE NOTE 9)-TYPE 10A POLE MOUNTED AT 180 DEG
 1-PEDESTRIAN PUSH BUTTON (PB2-1)
 SALVAGE AND-1-ONE WAY EVP DETECTOR AND
 INSTALLED SALVAGED CONFIRMATORY LIGHT (PHASES 4+7)
 F & I-1-R10-X12 SIGN ADJACENT TO HEAD (7-1)
 SALVAGE AND-1-TYPE D SIGN
 INSTALLED SALVAGED 1-R6-1 SIGN POLE MOUNTED
 R9-3a SIGN FACING POLE 3
 3" RSC TO HH 3B:
 1-12/C 12
 3-3/C 12
 F & I-1-3/C 20
 2-6/C 14

Ⓐ EQUIPMENT PAD (SEE DETAIL SHEET)
 SERVICE CABINET (SSB)
 CONTROLLER AND CABINET (COUNTY FURNISHED)
 4" RSC TO HH 1B:
 3-12/C 12
 4-3/C 12
 2-3/C 20
 9-2/C 14
 SALVAGE-1-6PR 19
 F & I-4-6/C 14
 3-2/C 14
 1-FO CABLE (12SM)
 4" RSC TO HH 13B:
 3-12/C 12
 3-3/C 12
 2-3/C 20
 3-2/C 14
 1-6PR 19
 STUB OUT 2-3" RSC
 (THREAD AND CAP BOTH
 ENDS-FOR FUTURE USE)
 F & I-4-6/C 14
 1-2/C 14


Ⓑ SERVICE CABINET
 CABINET FOUNDATION
 EXTEND INTO HH 13B:
 UNMETERED STREET LIGHT SERVICE
 1 1/4" RSC
 2-3/C 14 (LUM)
 EXTEND INTO HH 17B:
 METERED SIGNAL SERVICE
 1 1/4" RSC
 3-1/C 6
 STUBOUT 2" RSC (FOR
 SERVICE BY CONNEXUS)

③ PA100 POLE FOUNDATION
 TYPE PA100-A-50-D40-9 (DAVIT AT 350 DEG)
 REMOVE-1-ONE WAY SIGNAL OVERHEAD AT 0'
 F & I-2-ONE WAY SIGNALS OVERHEAD AT 0'
 2-ONE WAY SIGNALS OVERHEAD AT
 11' AND 23' FROM END OF MAST ARM
 (SEE NOTE 8)-TYPE 10A POLE MOUNTED AT 90 DEG
 TYPE 10A POLE MOUNTED AT 180 DEG
 1-ONE WAY EVP DETECTOR AND
 CONFIRMATORY LIGHT (PHASES 1+6)
 LUMINAIRE-200 WATT H.P.S. WITH PEC
 AND CHECK SWITCH
 F & I-1-R10-X12 SIGN ADJACENT TO HEAD (1-1)
 RELOCATE-1-TYPE D SIGN
 2-R6-1 SIGNS POLE MOUNTED
 2-R9-3a SIGN FACING POLES 2 AND 4
 3" RSC TO HH 8B:
 2-12/C 12
 1-3/C 12
 1-3/C 12 (LUM)
 1-3/C 20
 F & I-2-6/C 14

④ PA90 POLE FOUNDATION
 TYPE PA90-A
 REMOVE-35' MAST ARM
 INSTALL-40' MAST ARM
 SALVAGE-1-ONE WAY SIGNAL OVERHEAD AT 0'
 F & I-1-ONE WAY SIGNAL OVERHEAD AT 0'
 INSTALL SALVAGED-1-ONE WAY SIGNAL OVERHEAD AT 11'
 (SEE NOTE 8)-TYPE 10A POLE MOUNTED AT 90 DEG
 (SEE NOTE 9)-TYPE 10A POLE MOUNTED AT 180 DEG
 1-PEDESTRIAN PUSH BUTTON (PB2-1)
 SALVAGE AND-1-ONE WAY EVP DETECTOR AND
 INSTALLED SALVAGED CONFIRMATORY LIGHT (PHASES 3+8)
 F & I-1-R10-X12 SIGN ADJACENT TO HEAD (3-1)
 SALVAGE AND-1-TYPE D SIGN
 INSTALLED SALVAGED 1-R6-1 SIGN POLE MOUNTED
 2-R9-3a SIGN FACING POLES 1 AND 3
 3" RSC TO HH 11B:
 1-12/C 12
 1-3/C 12
 1-3/C 20
 F & I-2-6/C 14

2:08:19 PM 6/19/2009 1:20:00 PM ...F:\InaIP\lan\12330_r02a.dgn

NO	DATE	BY	CKD	APPR	REVISION

I hereby certify that this plan, specification, or report was prepared by me or under my direct supervision and that I am a duly Licensed Professional Engineer under the laws of the State of Minnesota.
 Print Name: NATHAN A. POOLE

 Date: 6/19/20 License #: 56071

STATE AID PROJECT NO.
 002-652-007,
 002-652-008,
 106-020-035
 CITY PROJ NO.
 19-09

DRAWN BY
 M. BRESSLER
 DESIGNED BY
 M. BRESSLER
 CHECKED BY
 N. POOLE
 COMM. NO. 1912330

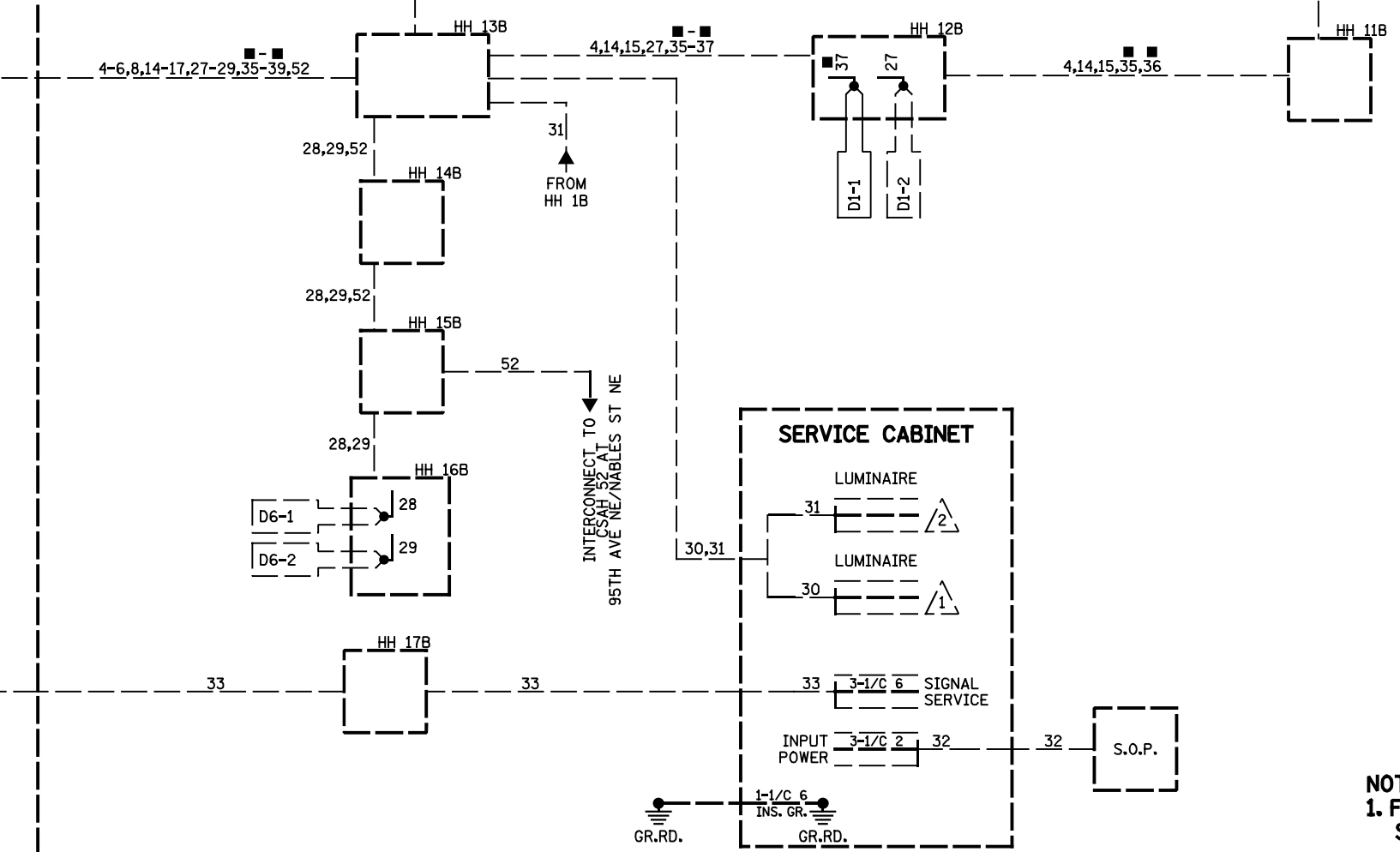
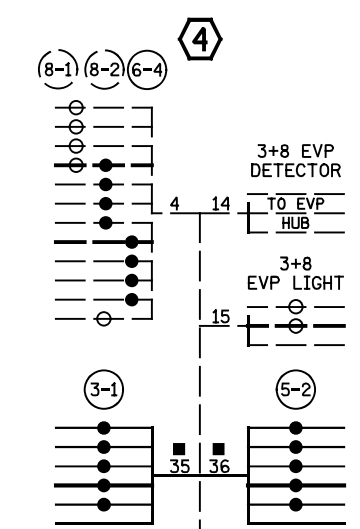
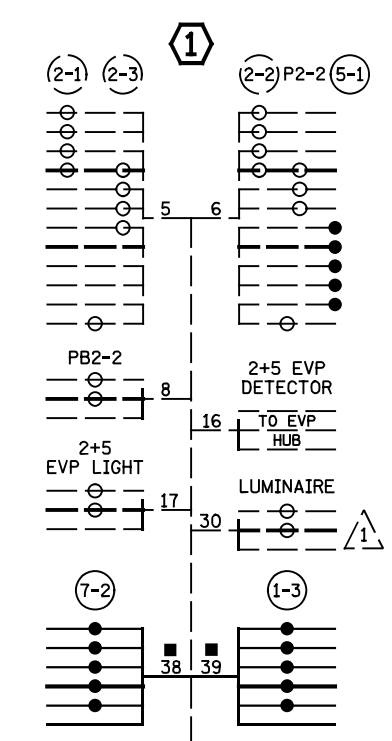
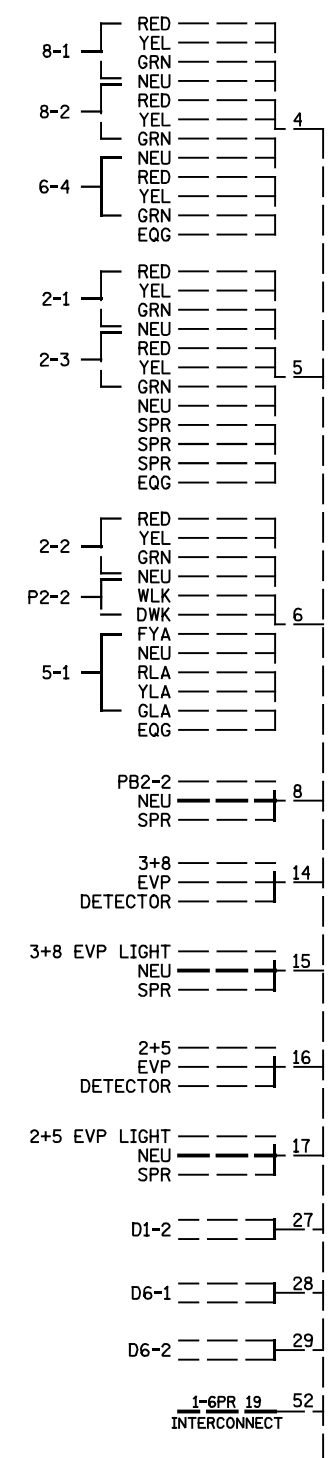
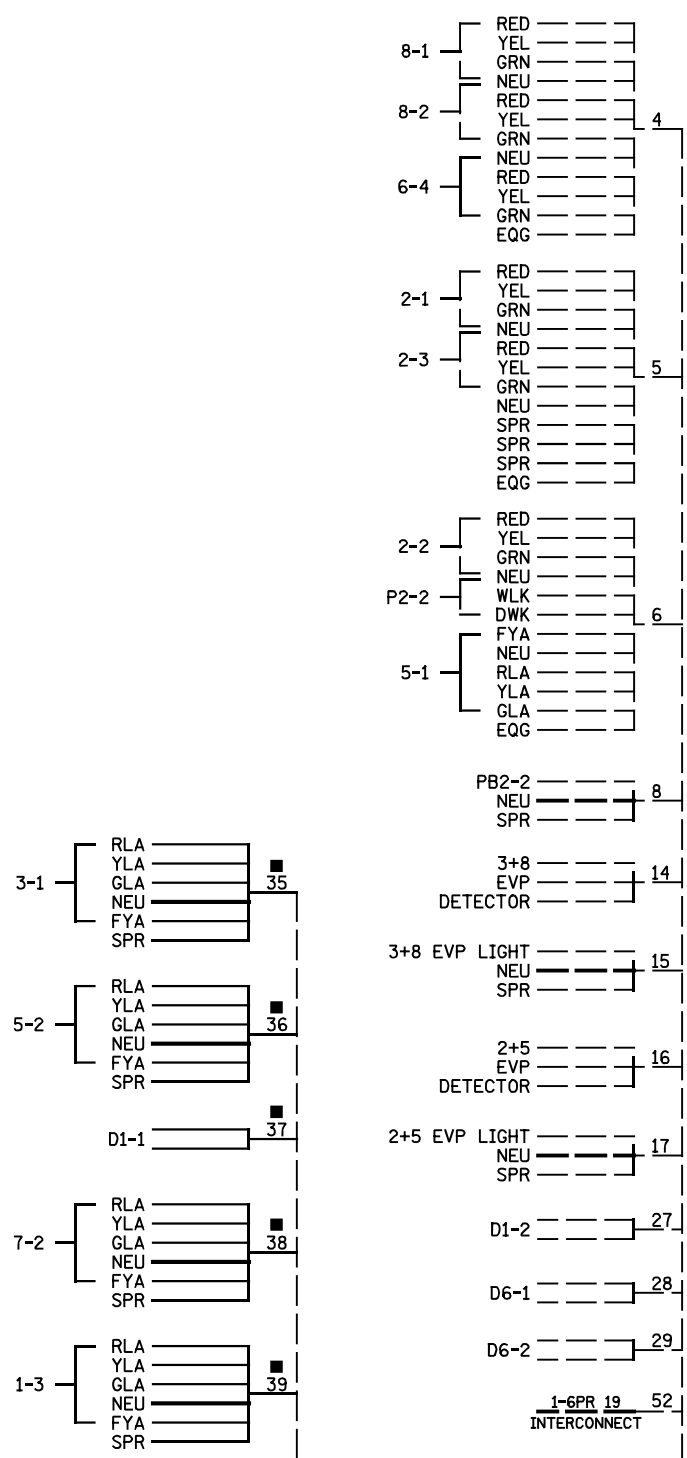


ENGINEERS
 PLANNERS
 DESIGNERS

ANOKA COUNTY
 TRAFFIC SIGNAL PLANS
 CSAH 52 AT XYLITE STREET, 101ST AVE
 REVISED INTERSECTION NOTES (SYSTEM "B")
 RADISSON RD (CSAH 52) AT 101ST AVE\FLANDERS CT

SHEET
 63
 OF
 76

CONTROLLER CABINET



LEGEND:
 ALL WIRING INPLACE
 UNLESS NOTED OTHERWISE
 ■ = FURNISH & INSTALL

NOTE:
 1. FOR CONDUCTOR COLOR CODE, SEE TRAFFIC SIGNAL POLE WIRING CONNECTOR DETAIL.

21:08:20 PM
 6/19/2020
 C:\Users\12000\12000\12330\Des\gn\PlonSheets\Final\Plon\12330_wd02.dgn

NO	DATE	BY	CKD	APPR	REVISION

I hereby certify that this plan, specification, or report was prepared by me or under my direct supervision and that I am a duly Licensed Professional Engineer under the laws of the State of Minnesota.
 Print Name: NATHAN A. POOLE
Nathan A. Poole
 Date: 6/19/20 License #: 56071

STATE AID PROJECT NO.
 002-652-007,
 002-652-008,
 106-020-035
 CITY PROJ NO.
 19-09

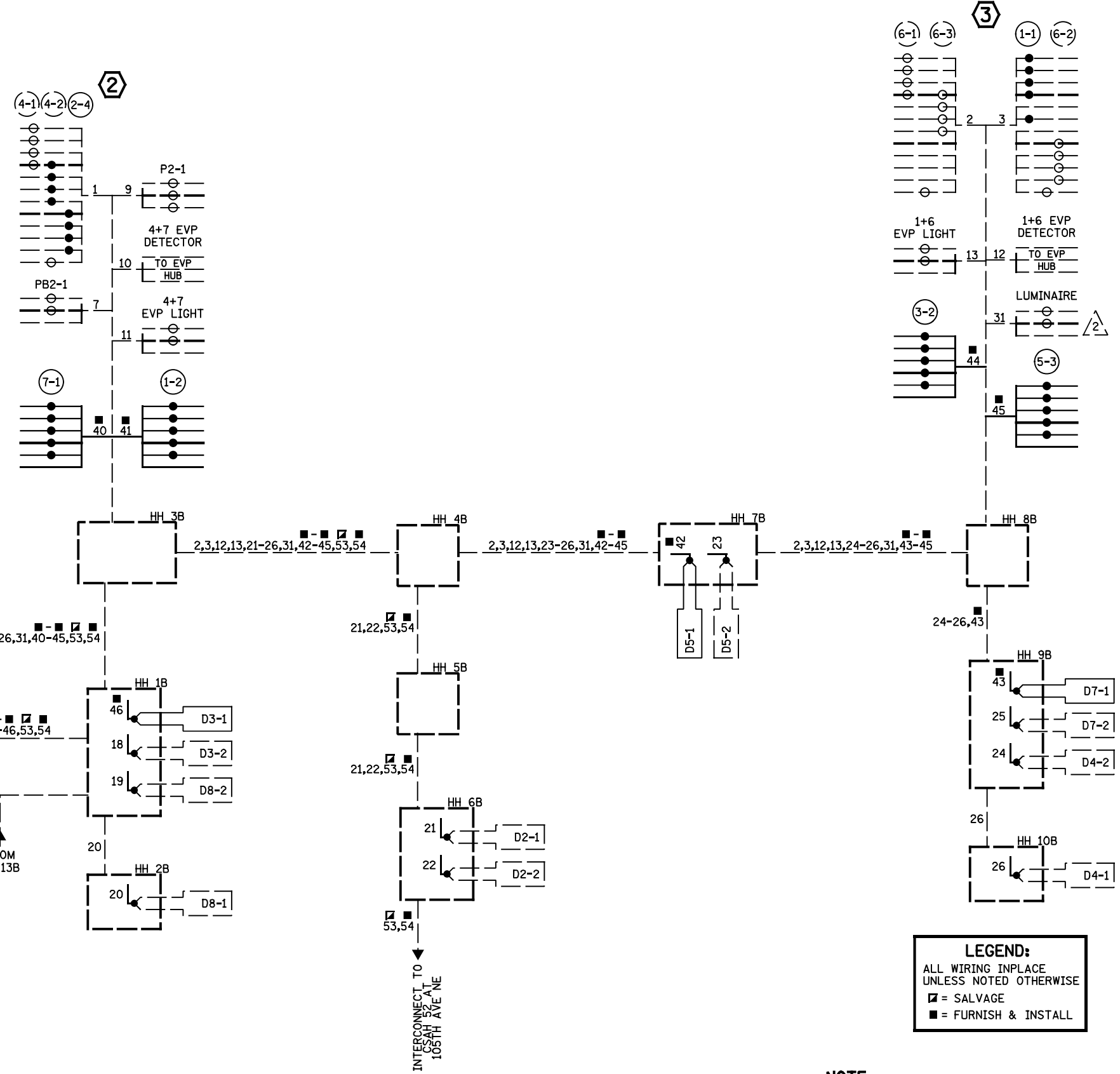
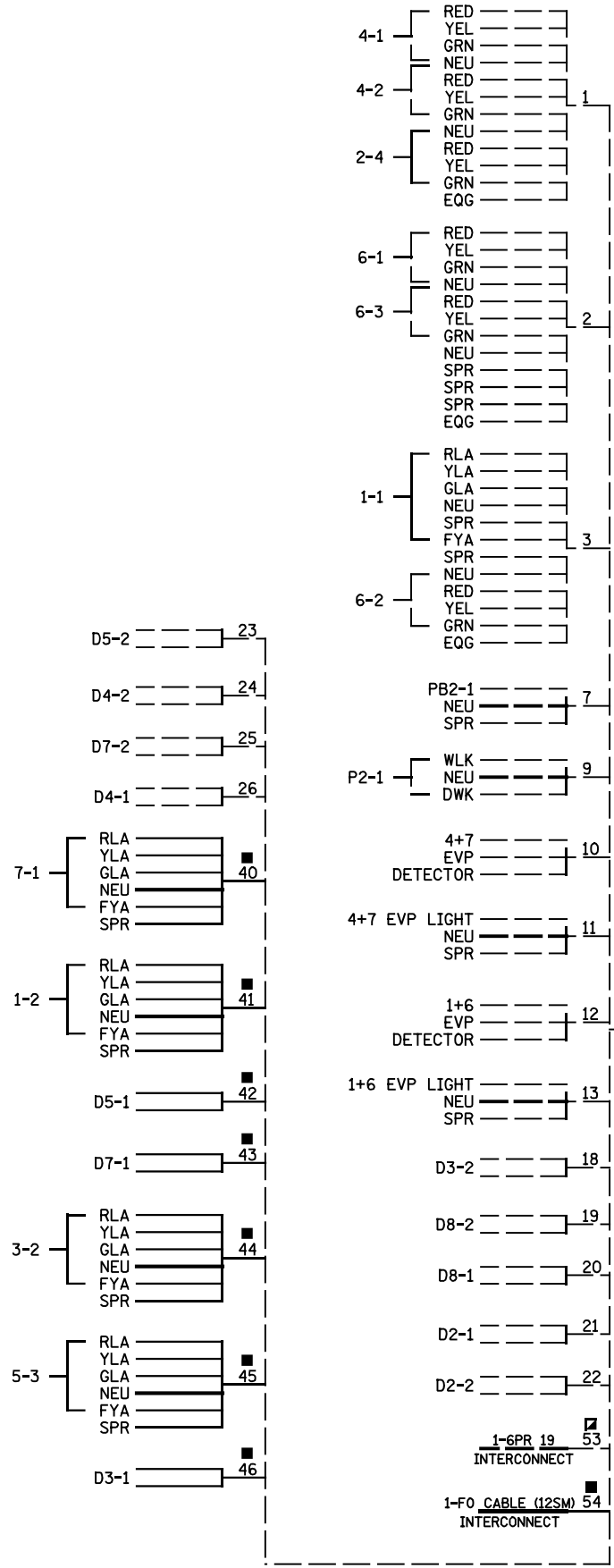
DRAWN BY
 M. BRESSLER
 DESIGNED BY
 M. BRESSLER
 CHECKED BY
 N. POOLE
 COMM. NO. 1912330



ANOKA COUNTY
 TRAFFIC SIGNAL PLANS
CSAH 52 AT XYLITE STREET, 101ST AVE
 REVISED FIELD WIRING DIAGRAM (SYSTEM "B")
 RADISSON RD (CSAH 52) AT 101ST AVE\FLANDERS CT

SHEET
 64
 OF
 76

CONTROLLER CABINET



LEGEND:
 ALL WIRING INPLACE UNLESS NOTED OTHERWISE
 ▣ = SALVAGE
 ■ = FURNISH & INSTALL

NOTE:
 1. FOR CONDUCTOR COLOR CODE, SEE TRAFFIC SIGNAL POLE WIRING CONNECTOR DETAIL.

2:08:21 PM 2/20/20 4:17:47 PM C:\Users\12000V\12000V\12330\Des\gn\Pln\12330.dgn

NO	DATE	BY	CKD	APPR	REVISION

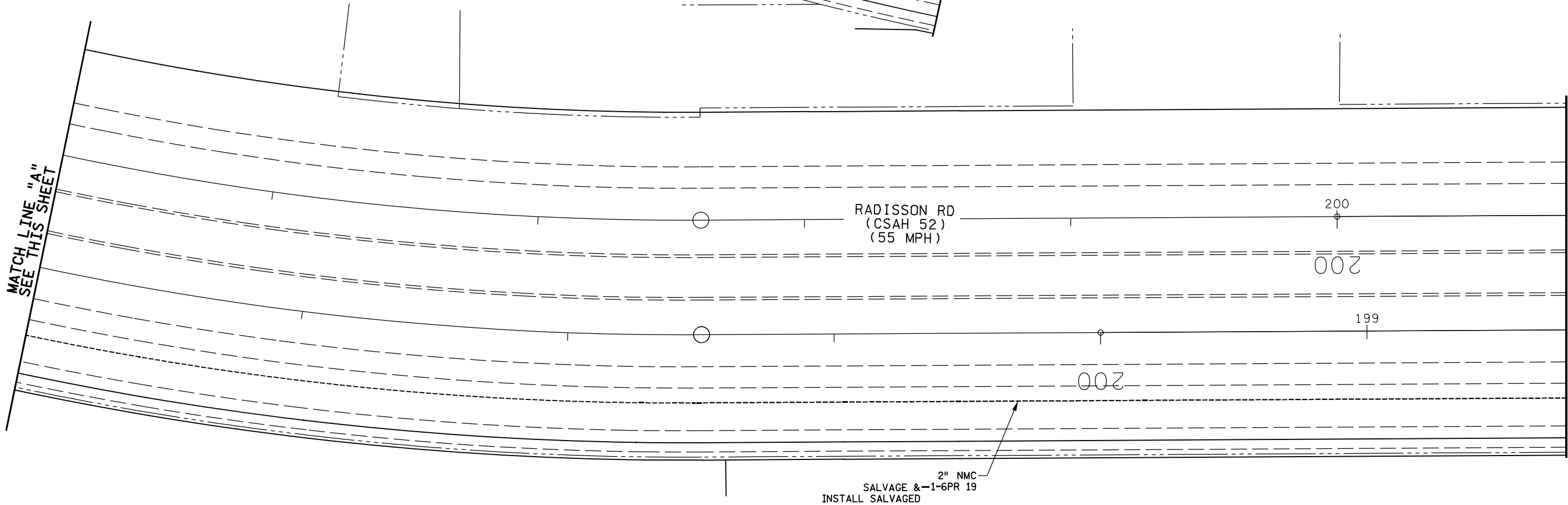
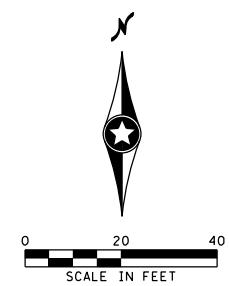
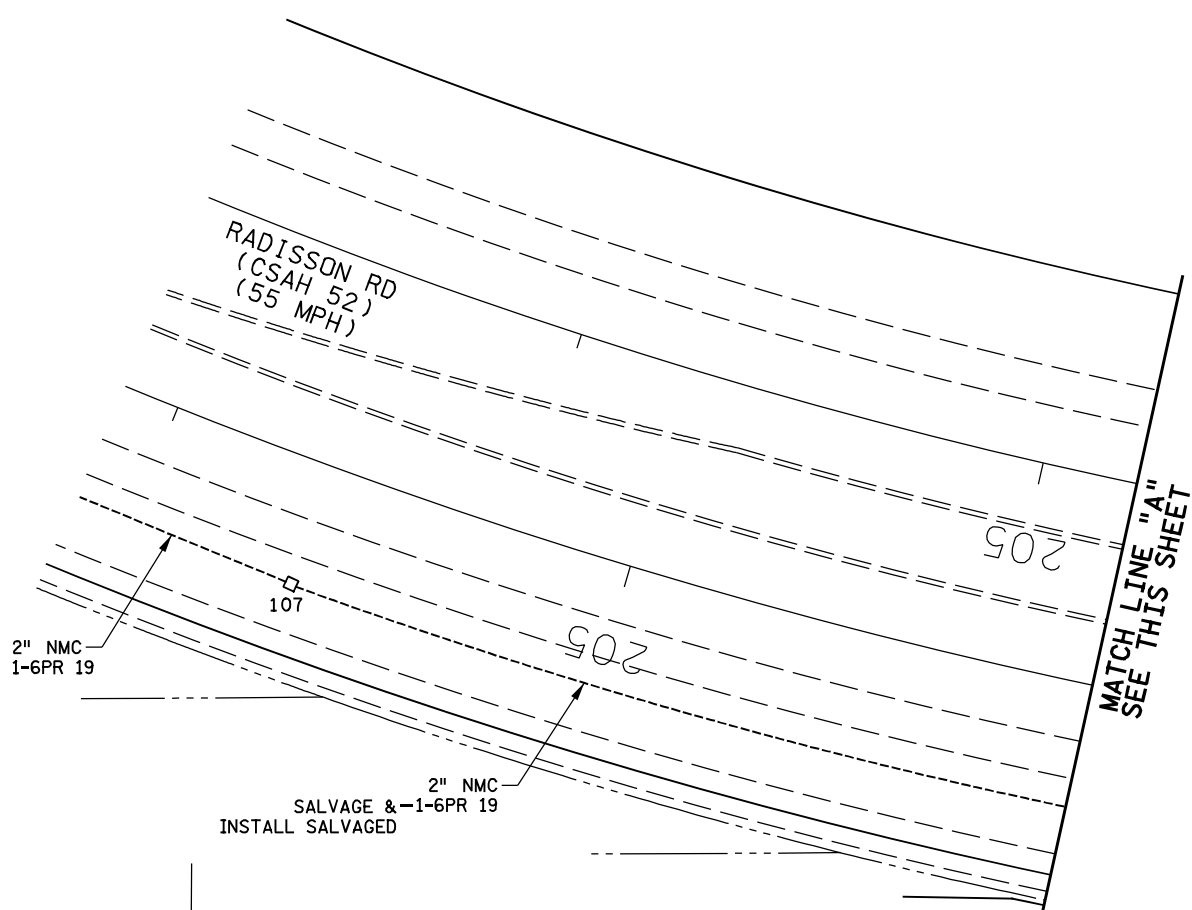
I hereby certify that this plan, specification, or report was prepared by me or under my direct supervision and that I am a duly Licensed Professional Engineer under the laws of the State of Minnesota.
 Print Name: NATHAN A. POOLE
Nathan A. Poole
 Date: 6/19/20 License #: 56071

STATE AID PROJECT NO. 002-652-007, 002-652-008, 106-020-035 CITY PROJ NO. 19-09
 DRAWN BY M. BRESSLER
 DESIGNED BY M. BRESSLER
 CHECKED BY N. POOLE
 COMM. NO. 1912330



ANOKA COUNTY
 TRAFFIC SIGNAL PLANS
CSAH 52 AT XYLITE STREET, 101ST AVE
 REVISED FIELD WIRING DIAGRAM (SYSTEM "B")
 RADISSON RD (CSAH 52) AT 101ST AVE\FLANDERS CT

SHEET
 65
 OF
 76



21:08:22 PM 6/19/2020 H:\P\12330\12330.dgn\12330\Des\12330\12330_m103.dgn

NO	DATE	BY	CKD	APPR	REVISION

...F InaIPan\12330_m103.dgn

I hereby certify that this plan, specification, or report was prepared by me or under my direct supervision and that I am a duly Licensed Professional Engineer under the laws of the State of Minnesota.

Print Name: NATHAN A. POOLE

Nathan A. Poole

Date 6/19/20 License # 56071

STATE AID PROJECT NO.
002-652-007,
002-652-008,
106-020-035
CITY PROJ NO.
19-09

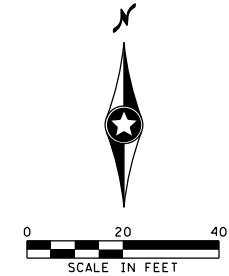
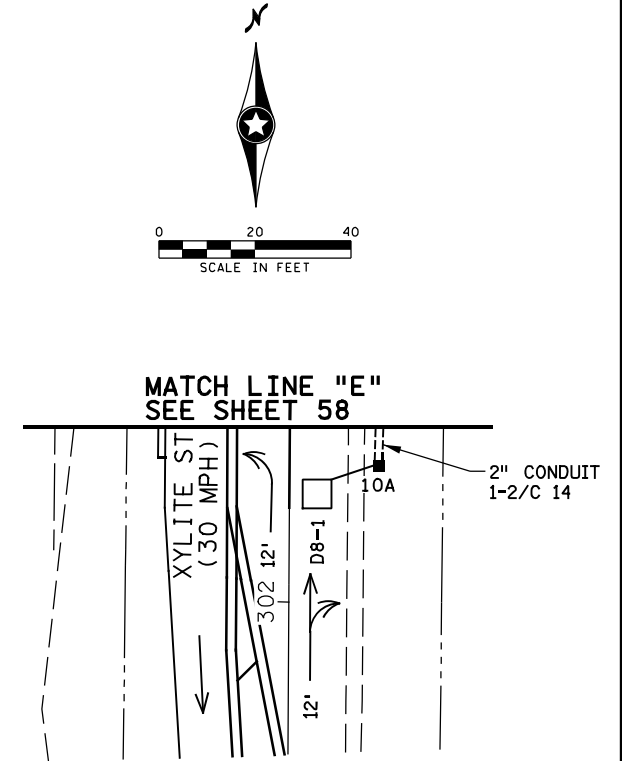
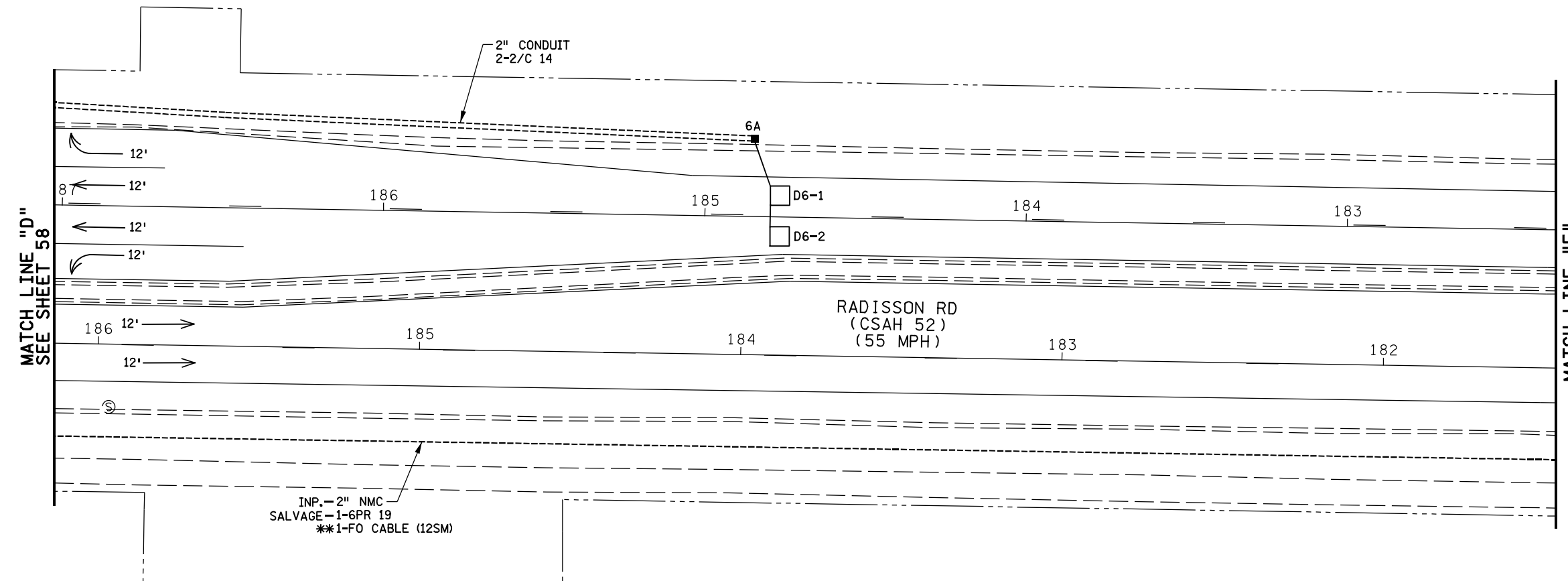
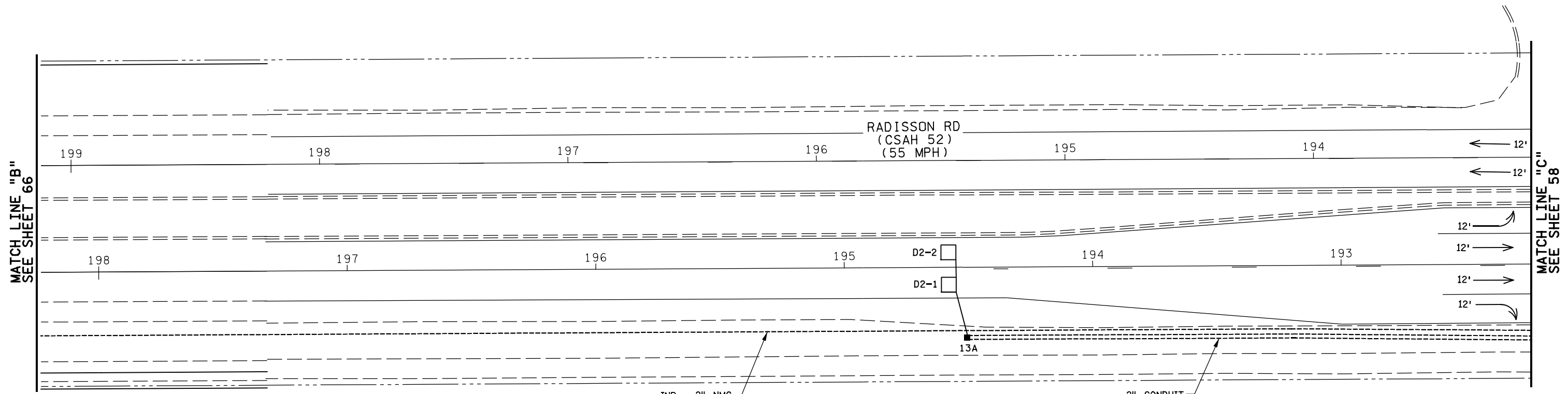
DRAWN BY
M. BRESSLER
DESIGNED BY
M. BRESSLER
CHECKED BY
N. POOLE
COMM. NO. 1912330



ENGINEERS
PLANNERS
DESIGNERS

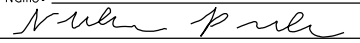
ANOKA COUNTY
TRAFFIC SIGNAL PLANS
CSAH 52 AT XYLITE STREET, 101ST AVE
INTERCONNECT LAYOUT

SHEET
66
OF
76



2:08:22 PM
 6/19/2020
 F:\projects\12000\12330\Des\gn\PlanSheets\Final\Plan\12330_m101.dgn

NO	DATE	BY	CKD	APPR	REVISION

I hereby certify that this plan, specification, or report was prepared by me or under my direct supervision and that I am a duly Licensed Professional Engineer under the laws of the State of Minnesota.
 Print Name: NATHAN A. POOLE

 Date: 6/19/20 License #: 56071

STATE AID PROJECT NO.
 002-652-007,
 002-652-008,
 106-020-035
 CITY PROJ NO.
 19-09

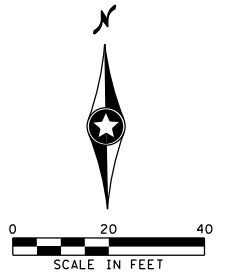
DRAWN BY
 M. BRESSLER
 DESIGNED BY
 M. BRESSLER
 CHECKED BY
 N. POOLE
 COMM. NO. 1912330



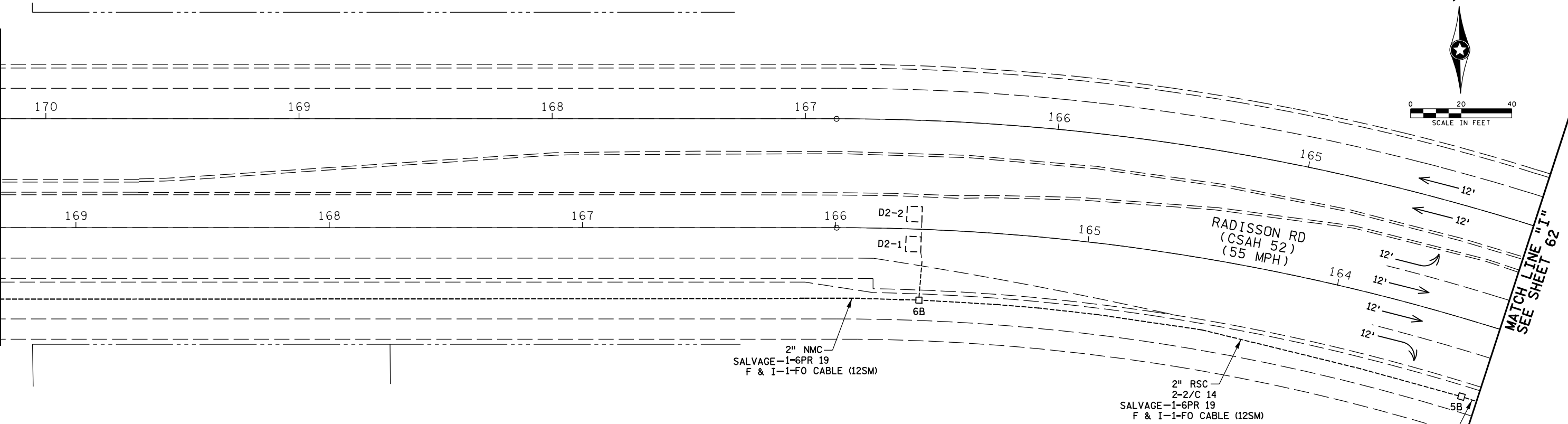
ENGINEERS
 PLANNERS
 DESIGNERS

ANOKA COUNTY
 TRAFFIC SIGNAL PLANS
CSAH 52 AT XYLITE STREET, 101ST AVE
 MATCH LINE/INTERCONNECT LAYOUT (SYSTEM "A")
 RADISSON RD (CSAH 52) AT XYLITE ST

SHEET
 67
 OF
 76

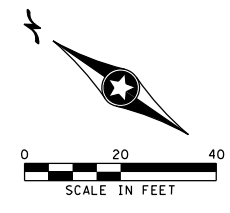
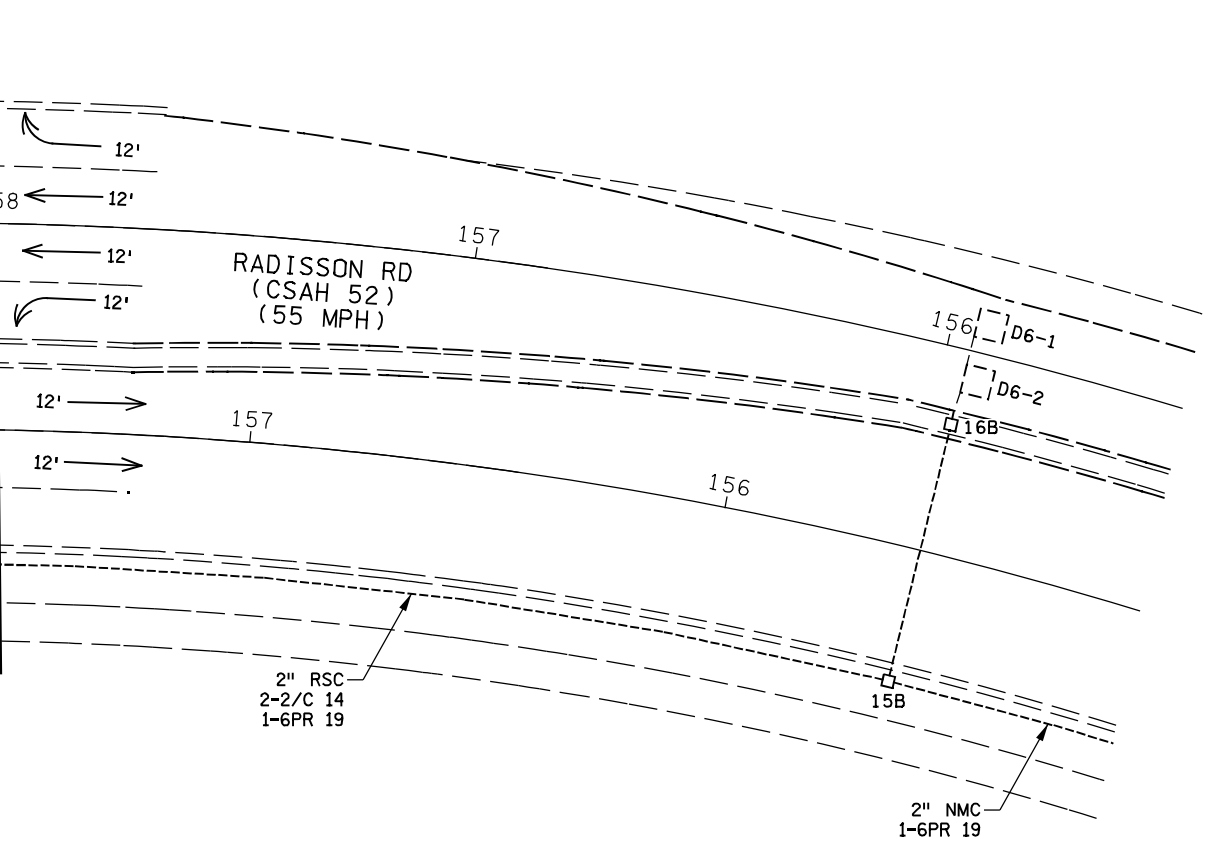


MATCH LINE "H"
SEE SHEET 69



MATCH LINE "I"
SEE SHEET 62

MATCH LINE "J"
SEE SHEET 62



2:08:23 PM
6/19/2020
...F:\InoIPlan\12330_m102.dgn

NO	DATE	BY	CKD	APPR	REVISION

I hereby certify that this plan, specification, or report was prepared by me or under my direct supervision and that I am a duly Licensed Professional Engineer under the laws of the State of Minnesota.
 Print Name: NATHAN A. POOLE
Nathan A. Poole
 Date: 6/19/20 License #: 56071

STATE AID PROJECT NO.
 002-652-007,
 002-652-008,
 106-020-035
 CITY PROJ NO.
 19-09

DRAWN BY
 M. BRESSLER
 DESIGNED BY
 M. BRESSLER
 CHECKED BY
 N. POOLE
 COMM. NO. 1912330



ENGINEERS
 PLANNERS
 DESIGNERS

ANOKA COUNTY
 TRAFFIC SIGNAL PLANS
CSAH 52 AT XYLITE STREET, 101ST AVE
 REVISED MATCH LINE/INTERCONNECT LAYOUT (SYS "B")
 RADISSON RD (CSAH 52) AT 101ST AVE N\FLANDERS CT

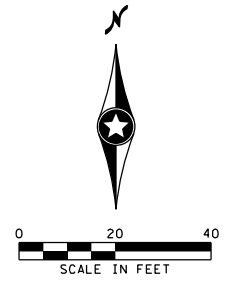
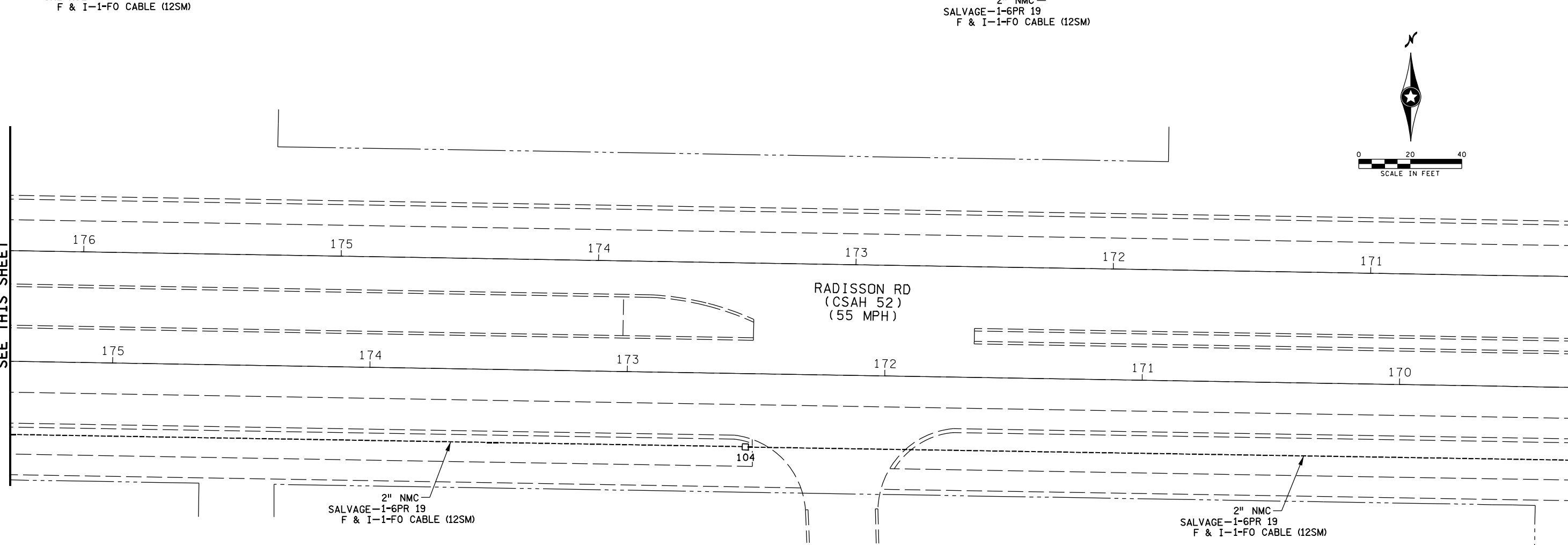
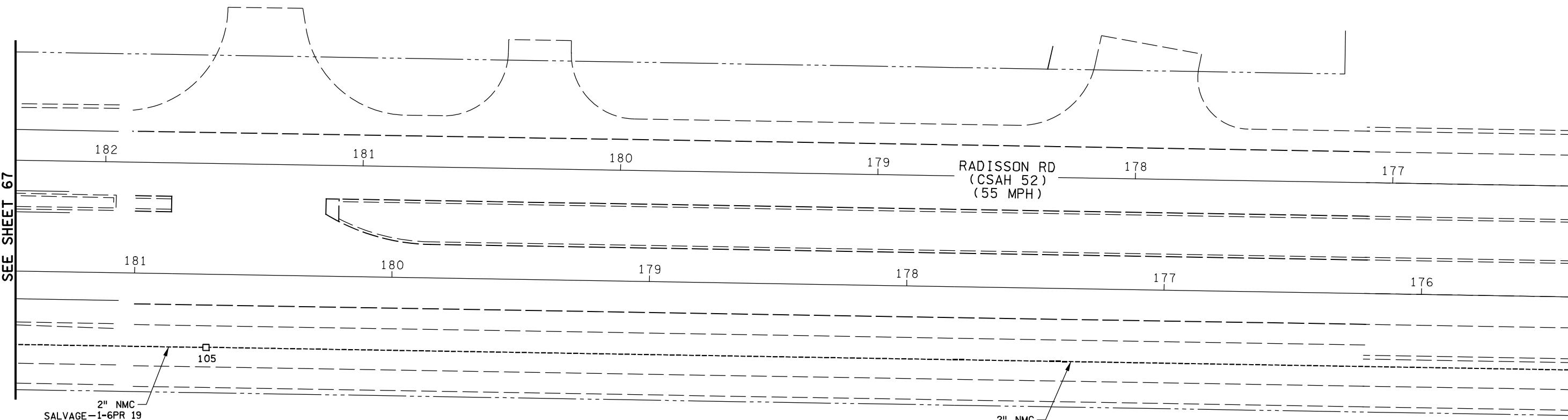
SHEET
 68
 OF
 76

MATCH LINE "F"
SEE SHEET 67

MATCH LINE "G"
SEE THIS SHEET

MATCH LINE "G"
SEE THIS SHEET

MATCH LINE "H"
SEE SHEET 68



21:08:24 PM
6/19/2020
F:\Projects\12000\12330\Des\gn\Plan\12330_m104.dgn

NO	DATE	BY	CKD	APPR	REVISION

...F:\Projects\12000\12330_m104.dgn

I hereby certify that this plan, specification, or report was prepared by me or under my direct supervision and that I am a duly Licensed Professional Engineer under the laws of the State of Minnesota.

Print Name: NATHAN A. POOLE

Nathan A. Poole

Date: 6/19/20 License #: 56071

STATE AID PROJECT NO.
002-652-007,
002-652-008,
106-020-035
CITY PROJ NO.
19-09

DRAWN BY
M. BRESSLER
DESIGNED BY
M. BRESSLER
CHECKED BY
N. POOLE
COMM. NO. 1912330



ENGINEERS
PLANNERS
DESIGNERS

ANOKA COUNTY
TRAFFIC SIGNAL PLANS
CSAH 52 AT XYLITE STREET, 101ST AVE
INTERCONNECT LAYOUT

SHEET
69
OF
76