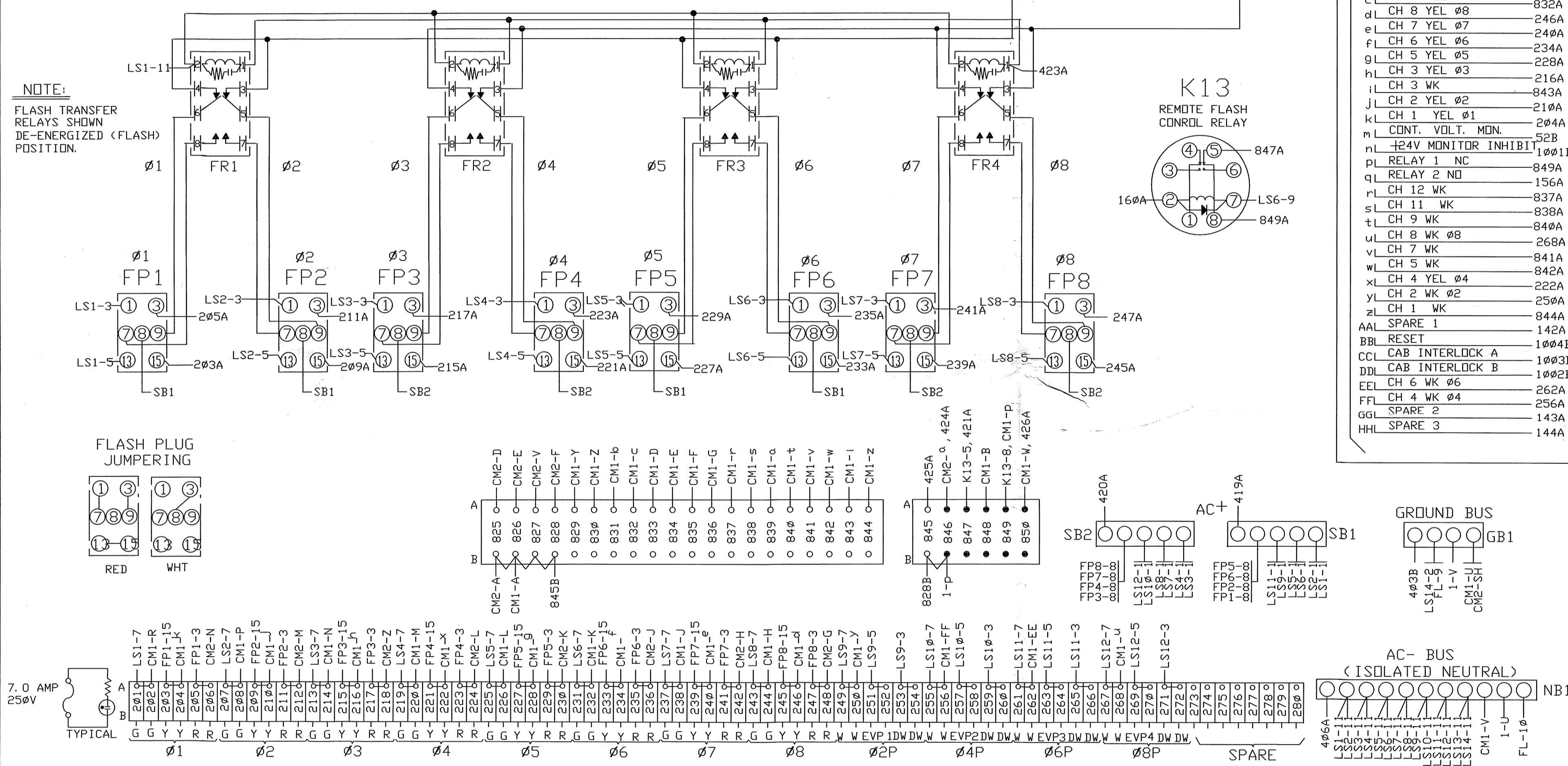


LS	1	2	3	4	5	6	7	8	9	10	11	12	13	14
CONT	1	2	3	4	5	6	7	8	2P	4P	6P	8P		
PLAN														

IN	GREEN / WALK	10	62A	69A	76A	82A	102A	109A	116A	122A	72A	85A	112A	125A
OUT	YELLOW/PED CLR	8	63A	70A	77A	83A	103A	110A	117A	123A	142B	144B	146B	148B
POWER	RED/DON'T WALK	6	64A	71A	78A	84A	104A	111A	118A	124A	73A	86A	113A	126A
	GREEN / WALK	7	201A	207A	213A	219A	225A	231A	237A	243A	249A	255A	261A	267A
	YELLOW	5	FP1-13	FP2-13	FP3-13	FP4-13	FP5-13	FP6-13	FP7-13	FP8-13	251A	257A	263A	269A
	RED/DON'T WALK	3	FP1-1	FP2-1	FP3-1	FP4-1	FP5-1	FP6-1	FP7-1	FP8-1	253A	259A	265A	271A
	+24 VDC	9												▷60B
	CHASSIS GROUND	2												▷GB1
	AC NEUTRAL	11	NB1	NB1	NB1	NB1	NB1	NB1	NB1	NB1	NB1	NB1	NB1	NB1
	115 VAC	1	SB1	SB1	SB2	SB2	SB1	SB1	SB2	SB1	SB2	SB1	SB2	SB2 FP8-8



TIGHTENING TORQUE SPECIFICATIONS

SCREW SIZE	6-32	8-32	10-32
POUND INCHES	12	16	25.9
BLOCK TYPE	SAKS56	RK6-10	SAK35N
POUND INCHES	10.5	16	35
BLOCK TYPE	ZB35	ZB10	
POUND INCHES	35.5	17.75	

VEHICLE SIGNALS

SIGNAL	TERMINAL		
1-1	201	203	205
1-2	202	204	206
2-1,2-3		207	209 211
2-2		208	210 212
3-1	213	215	217
3-2	214	216	218
4-1		219	221 223
4-2		220	222 224
5-1	225	227	229
5-2	226	228	230
6-1,6-3		231	233 235
6-2		232	234 236
7-1	237	239	241
7-2	238	240	242
8-1		243	245 247
8-2		244	246 248

VEH DETECTORS

DET	TERMINAL
1-1	308-304
1-2	306-307
2-1	315-316
2-2	318-319
3-1	313-314
3-2	316-317
4-1	323-324
4-2	326-327
5-1	308-309
5-2	311-312
6-1	350-351
6-2	353-354
7-1	355-356
7-2	358-359
8-1	365-366
8-2	368-369

PED SIGNALS

SIGNAL	TERMINAL
P2-1	249 253
P2-2	250 254
P4-1	255 259
P4-2	256 260

PED PUSHBUTTONS

PPB	TERMINAL
PB2-1,2-2	301
PB4-1,4-2	302

EVAP SENSORS

CONTR. CHAN.	PHASES	POLE#	SIGNAL	DC(+)	GND
1	1-6	3	333	334	337
2	2-5	1	336	334	337
3	3-8	4	338	339	342
4	4-7	2	341	339	342

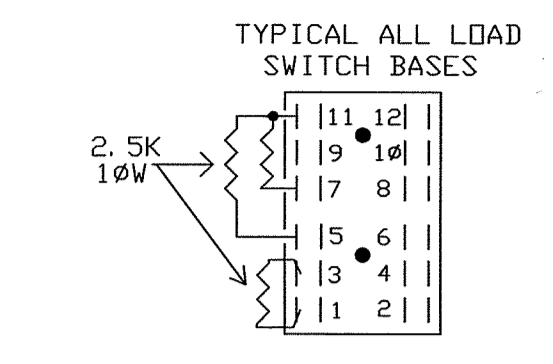
EVAP CONFIRMATORY LIGHTS

CONTR. CHAN.	PHASES	POLE#	TERM
1	1-6	3	251
2	2-5	1	257
3	3-8	4	263
4	4-7	2	269

EVAP TYPICAL SENSOR WIRE COLORS

SIGNAL	DC(+)	GND
YEL	DRG	BLU
CLR	RED	BLK
WHT	RED	BLK

LOAD SWITCH PANEL ASSEMBLY



NEMA #2CH CONFLICT MONITOR

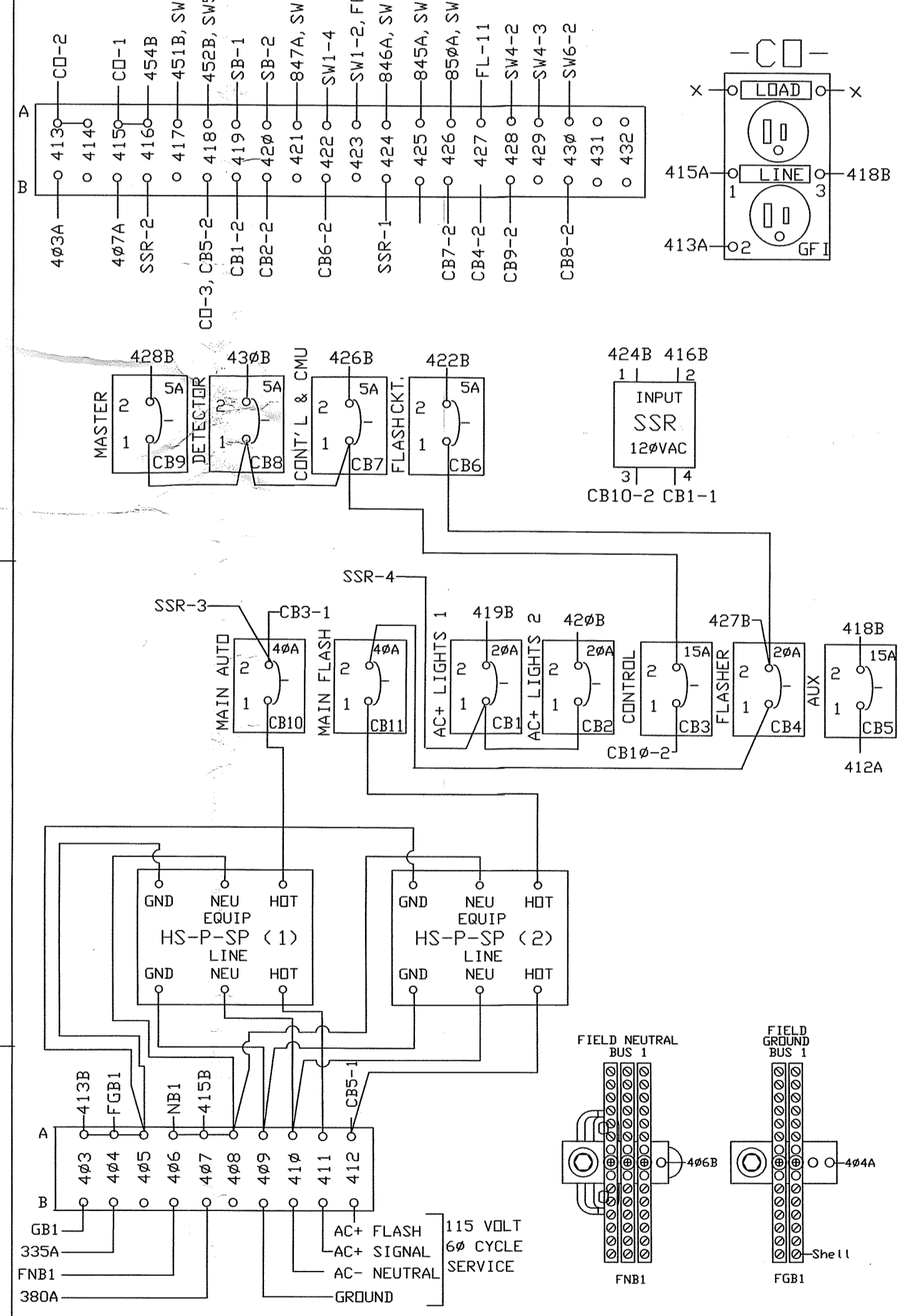
CM1	CM2
SH SHELL GROUND	GB1
A AC+I	826B
B RELAY 1 NO	848A
C RELAY 2 NC	141A
D CH 12 GRN	833A
E CH 11 GRN	834A
F CH 10 GRN	835A
G CH 9 GRN	836A
H CH 8 GRN	244A
JL CH 7 GRN	238A
KL CH 6 GRN	232A
LL CH 5 GRN	226A
ML CH 4 GRN	220A
NL CH 3 GRN	214A
PL CH 2 GRN	208A
RL CH 1 GRN	202A
S +24V MONITOR I	59B
T LOGIC GROUND	53B
U CHASSIS GROUND	53B
V AC-NEUTRAL	SHELL
W RELAY 1 COMMON	NB1
X RELAY 2 COMMON (LG)	850A
YL CH 12 YEL	54B
ZL CH 11 YEL	829A
aL CH 10 YEL	830A
bL CH 9 YEL	839A
cL CH 8 YEL	831A
dL CH 7 YEL	832A
eL CH 6 YEL	246A
fL CH 5 YEL	240A
gL CH 4 YEL	234A
hL CH 3 YEL	228A
iL CH 2 YEL	216A
jL CH 1 YEL	843A
kL CH 1 YEL	210A
m CONT. VOLT. MON.	52B
n +24V MONITOR INHIBIT	1001B
p RELAY 1 NC	849A
q RELAY 2 NO	156A
rL CH 12 WK	837A
sL CH 11 WK	838A
tL CH 9 WK	840A
uL CH 8 WK	268A
wL CH 5 WK	841A
xL CH 4 YEL	842A
yL CH 2 WK	222A
zL CH 1 WK	250A
AA SPARE 1	844A
BB RESET	142A
CC CAB INTERLOCK A	1004B
DD CAB INTERLOCK B	1002B
EE CH 6 WK	262A
FF CH 4 WK	265A
GG SPARE 2	143A
HH SPARE 3	144A

CONFLICT MONITOR MATRIX PROGRAMMING INSTRUCTIONS

1-2	2-3	3-4	4-5	5-6	6-7	7-8	8-9	9-10	10-11	11-12
1-3	2-4	3-5	4-6	5-7	6-8	7-9	8-10	9-11	10-12	
1-4	2-5	3-6	4-7	5-8	6-9	7-10	8-11	9-12		
1-5	2-6	3-7	4-8	5-9	6-10	7-11	8-12			
1-6	2-7	3-8	4-9	5-10	6-11	7-12				
1-7	2-8	3-9	4-10	5-11	6-12					
1-8	2-9	3-10	4-11	5-12						
1-9	2-10	3-11	4-12							
1-10	2-11	3-12								
1-11	2-12									
1-12										

CHANNEL # COMBINATIONS NOT PINNED WITH MATRIX JUMPERS CONSTITUTE CONFLICTING MOVEMENTS. TO PROGRAM, CIRCLE PERMISSIVE COMBINATIONS AND INSTALL JUMPERS ON CORRESPONDING PINS ON THE PROGRAM CARD.

POWER PANEL ASSEMBLY (FRONT VIEW)



ACT Electronics, Inc. #52 AT 95TH AVE

REV. STATUS: SHEET 1 2 3, REV A A A

DATE: 8/25/99, DRAWN: MPD

TITLE: MNDOT 1999 "R" & "P" CABINET

SCALE: REV A SHEET 1 OF 3

01018



