

CSAH 35 (Central Ave NE) at Gardena Ave NE

LEGEND

- LIGHTING UNIT TYPE 9-30
- 1.5" NMC WITH 3-1/C 8 AWG AND 1-1/C 8 AWG GR. (UNLESS OTHERWISE NOTED)
- SERVICE CABINET TYPE L1
- PEDESTAL

② F&I BY CONTRACTOR:
 MODIFIED PEDESTAL CONCRETE FOUNDATION
 PEDESTAL POLE AND BASE (MNDOT STD PLATE 8112)
 POLE MOUNTED CONTROL CABINET
 (2) W11-2 LED ENHANCED SIGNS (30"X30") BACK TO BACK
 1 W16-7PL (24"X12") AND 1 W16-7PL (24"X12") BACK TO BACK
 1 PED PUSHBUTTON (PB-2) AND SIGN

F&I BY CONTRACTOR FROM FLASHER 1:
 2" RSC
 1-4/C 14
 1-2/C 14
 1-1/C 6 INS. GR.

2" RSC
 1-4/C 14
 1-2/C 14
 1-1/C 6 INS. GR.

① F&I BY CONTRACTOR:
 MODIFIED PEDESTAL CONCRETE FOUNDATION
 PEDESTAL POLE AND BASE (MNDOT STD PLATE 8112)
 POLE MOUNTED CONTROL CABINET
 (2) W11-2 LED ENHANCED SIGNS (30"X30") BACK TO BACK
 1 W16-7PL (24"X12") AND 1 W16-7PR (24"X12") BACK TO BACK
 1 PED PUSHBUTTON (PB-1) AND SIGN

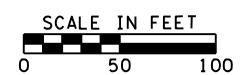
F&I BY CONTRACTOR FROM CABINET:
 2" RSC
 2-4/C 14
 2-2/C 14
 1-1/C 6 INS. GR.

BEGIN SP 002-635-012
 SP 127-020-033
 STA 102+34.90

STA 110+07.55
 END SP 002-635-012
 SP 127-020-033

END SP 127-020-033
 STA 204+67.90

- NOTES:
1. THE CONTRACTOR SHALL BE RESPONSIBLE FOR LOCATING ALL UTILITIES PRIOR TO WORK.
 2. THE CONTRACTOR SHALL COORDINATE THE PLACEMENT OF CONDUIT AND FOUNDATIONS WITH OTHER CONSTRUCTION ACTIVITIES IN THE AREA.
 3. THE CONTRACTOR IS RESPONSIBLE FOR ALL PERMITS AND UTILITY COORDINATION.
 4. ALL MATERIAL AND WORK SHALL BE IN ACCORDANCE WITH THE N.E.C.
 5. LIGHTING UNITS MUST MAINTAIN A MINIMUM CLEARANCE OF 10' FROM OVERHEAD POWER LINES.
 6. EXACT LOCATIONS OF LIGHT, PEDESTAL, AND SERVICE CABINET FOUNDATIONS SHALL BE STAKED IN THE FIELD FOR ENGINEER APPROVAL.



PLOTTED/REVISED: 11/28/2022 11:35:56 AM

WSB PATH & FILENAME: Projects\Minnesota\018314-000-CorPlan\8314-000_11101.dgn

NO.	DATE	BY	CHK	REVISIONS

Design By: MF
 Plan By: MF
 Checked By: ES
 Approved By: SD

I HEREBY CERTIFY THAT THIS PLAN, SPECIFICATION, OR REPORT WAS PREPARED BY OR UNDER MY DIRECT SUPERVISION AND THAT I AM A DULY LICENSED PROFESSIONAL ENGINEER UNDER THE LAWS OF THE STATE OF MINNESOTA.

PRINT NAME: SEAN DELMORE, PE

 DATE: 11/28/2022 LICENSE #: 40145



CSAH 35 at Gardena Ave Intersection Improvements
 Anoka County Highway Department

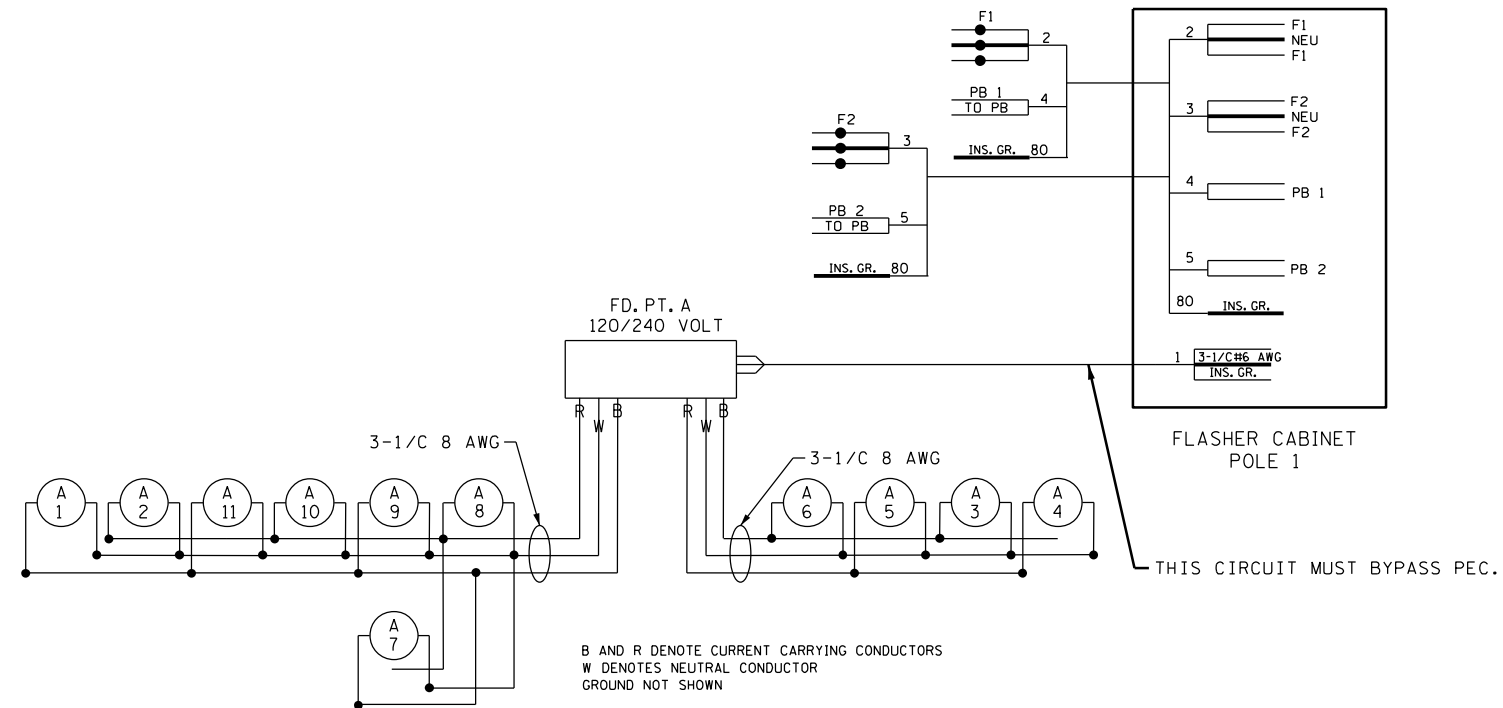
ANOKA COUNTY, MINNESOTA

LIGHTING PLAN
 SP 002-635-012, SP 127-020-033

SHEET
83
 OF
90
 SHEETS

STREET LIGHTING TABULATION					
ITEM	ITEM DESCRIPTION	UNIT	ANOKA COUNTY SP 002-635-012	CITY OF FRIDLEY SP 127-020-033	M TOTAL
2545.502	LIGHTING UNIT TYPE 9-30	EACH	6	5	11
2545.502	LIGHT FOUNDATION DESIGN E	EACH	6	5	11
2545.502	SERVICE CABINET -TYPE L1	EACH	1		1
2545.502	SERVICE EQUIPMENT	EACH	1		1
2545.502	EQUIPMENT PAD B	EACH	1		1
2545.503	1.5" NON-METALLIC CONDUIT	L IN FT	600	600	1200
2545.503	UNDERGROUND WIRE 1/C 8 AWG	L IN FT	2460	2460	4920
2565.616	PEDESTRIAN CROSSWALK FLASHER SYSTEM	SYSTEM	1		1

FEEDPOINT A LIGHTING STANDARDS AND FOUNDATIONS						
NO.	STATION	LT	RT	LOCATION	TYPE	FOUNDATION
1	1103+56	X		CSAH 35 SB	9-30	DESIGN E
2	1105+06	X		CSAH 35 SB	9-30	DESIGN E
3	200+23		X	GARDENA AVE EB	9-30	DESIGN E
4	202+50		X	GARDENA AVE EB	9-30	DESIGN E
5	1201+00	X		GARDENA AVE WB	9-30	DESIGN E
6	106+68		X	CSAH 35 NB	9-30	DESIGN E
7	108+86	X		CSAH 35 SB	9-30	DESIGN E
8	107+36	X		CSAH 35 SB	9-30	DESIGN E
9	1106+45	X		CSAH 35 SB	9-30	DESIGN E
10	301+03		X	PARK ACCESS EB	9-30	DESIGN E
11	105+70	X		CSAH 35 SB	9-30	DESIGN E

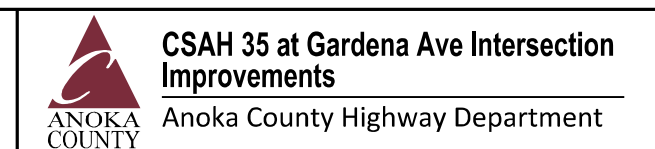


NO.	DATE	BY	CHK	REVISIONS

Design By: MF
 Plan By: MF
 Checked By: ES
 Approved By: SD

I HEREBY CERTIFY THAT THIS PLAN, SPECIFICATION, OR REPORT WAS PREPARED BY OR UNDER MY DIRECT SUPERVISION AND THAT I AM A DULY LICENSED PROFESSIONAL ENGINEER UNDER THE LAWS OF THE STATE OF MINNESOTA.

PRINT NAME: SEAN DELMORE, PE
 DATE: 11/28/2022 LICENSE #: 40145



ANOKA COUNTY, MINNESOTA

LIGHTING PLAN
 SP 002-635-012, SP 127-020-033

SHEET 84 OF 90 SHEETS