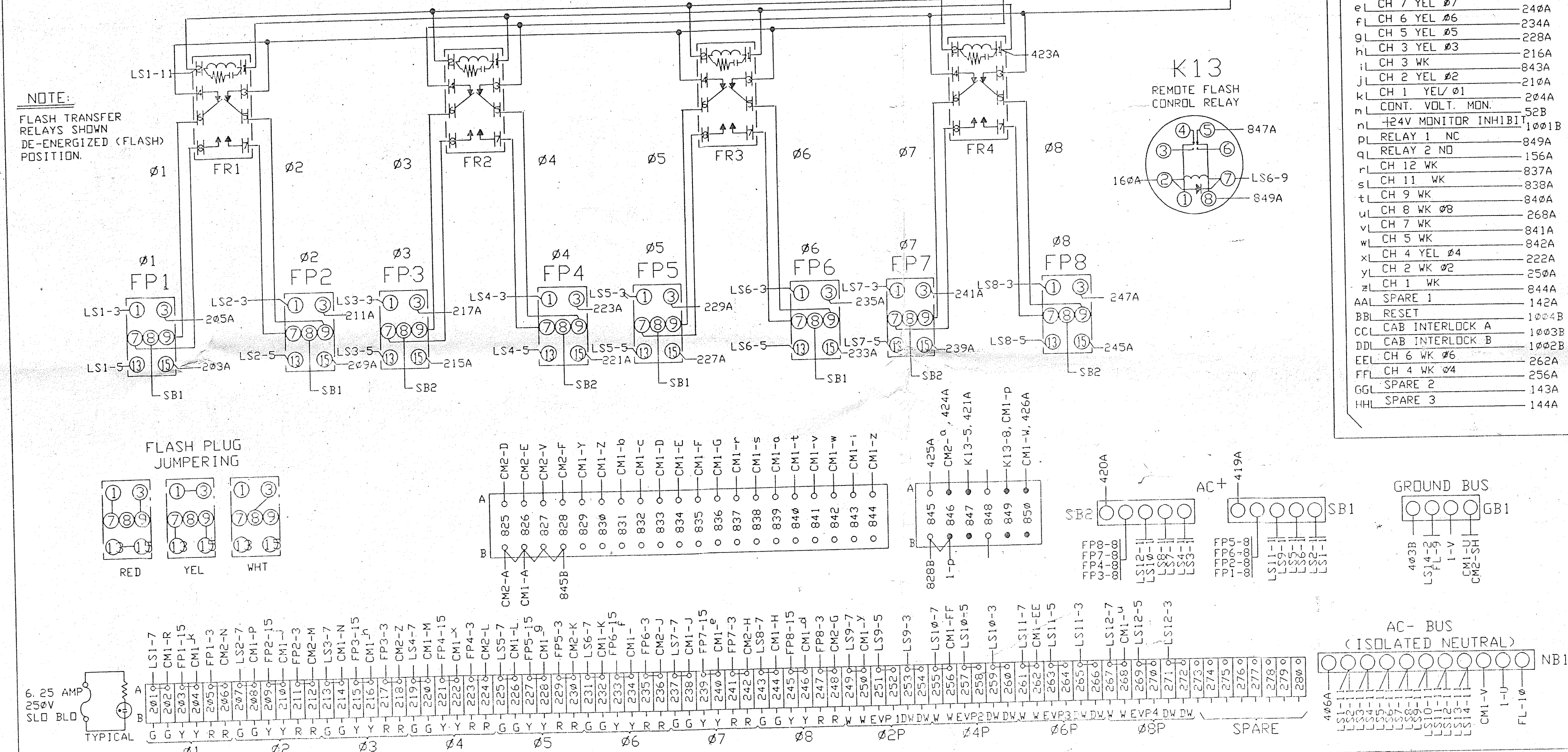


LS	1	2	3	4	5	6	7	8	9	10	11	12	13	14
CONT	1	2	3	4	5	6	7	8	2P	4P	6P	8P		
PLAN	1	2	3	4	5	6	7	8	9	10	11	12	13	14
IN	GREEN / WALK	8 62A	69A	76A	82A	102A	109A	116A	122A	72A	85A	112A	125A	
OUT	YELLOW / PED CLR	8 63A	70A	77A	83A	103A	110A	117A	123A	142B	144B	146B	148B	
POWER	RED/DON'T WALK	6 64A	71A	78A	84A	104A	111A	118A	124A	73A	86A	113A	126A	
	GREEN / WALK	7 201A	207A	213A	219A	225A	231A	237A	243A	249A	255A	261A	267A	
	YELLOW	5 FP1-13	FP2-13	FP3-13	FP4-13	FP5-13	FP6-13	FP7-13	FP8-13	251A	257A	263A	269A	
	RED/DON'T WALK	3 FP1-1	FP2-1	FP3-1	FP4-1	FP5-1	FP6-1	FP7-1	FP8-1	253A	259A	265A	271A	
	+24 VDC	9	<											>6PB
	CHASSIS GROUND	2	<											>GB1
	AC NEUTRAL	11	NB1	NB1	NB1	NB1	NB1	NB1	NB1	NB1	NB1	NB1	NB1	
	115 VAC	1	NB1	NB1	NB1	NB1	NB1	NB1	NB1	NB1	NB1	NB1	NB1	



TIGHTENING TORQUE SPECIFICATIONS

SCREW SIZE	6-32	8-32	10-32
POUND INCHES	12	16	25-9
BLOCK TYPE	SAK56	RK6-10	SAF35M
POUND INCHES	10.5	16	35
BLOCK TYPE	#B35	#B16	
POUND INCHES	35.5	17.75	

VEHICLE SIGNALS

SIGNAL	TERMINAL	G	Y	R
1-1	201 203 205			
1-2	202 204 206			
2-1		207 209 211		
2-2		208 210 212		
2-3		207 209 211		
4-1		219 221 223		
4-2		220 222 224		
4-3		219 221 223		
5-1	225 227 229			
5-2	226 228 230			
6-1		231 233 235		
6-2		232 234 236		
6-3		231 233 235		
8-1		243 245 247		
8-2		244 246 248		
8-3		243 245 247		

SIGNAL HEAD NEUTRALS TO BE TERMINATED ON FNB1 OR FNB2

VEH DETECTORS

DET	TERMINAL
D1-1	303-304
D1-2	306-307
D2-1	345-346
D2-2	348-349
D2-3	350-351
D4-1	355-356
D4-2	358-359
D4-3	323-324
D4-4	326-327
D5-1	308-309
D5-2	311-312
D6-1	313-314
D6-2	316-317
D6-3	318-319
D8-1	360-361
D8-2	365-366
D8-3	368-369

PED SIGNALS

SIGNAL	TERMINAL	WK	DW
P2-1	249 253		
P2-2	250 254		
P4-1	255 259		
P4-2	256 260		
P6-1	261 265		
P6-2	262 266		
P8-1	267 271		
P8-2	268 272		

PED HEAD NEUTRALS TO BE TERMINATED ON FNB1 OR FNB2

PED PUSHBUTTONS

PPB	TERMINAL
PB2-1,2	301
PB4-1,2	302
PB6-1,2	343
PB8-1,2	344

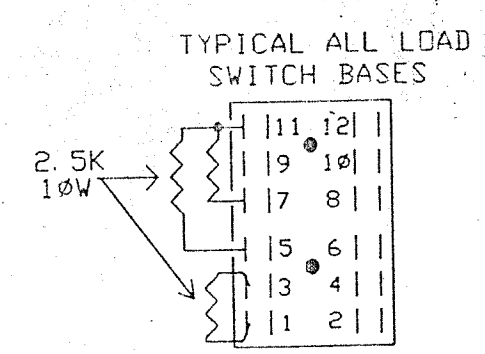
EVP SENSORS

CONTR. CHAN.	PHASES	POLE #	SIGNAL	DOCK	GND
1	1-6	4	333	334	337
2	2-5	1	336	334	337
3	4	2	338	337	342
4	8	5	341	339	342

EVP CONFIRMATORY LIGHTS

CONTR. CHAN.	PHASES	POLE #	TERM.
1	1-6	4	251
2	2-5	1	257
3	4	2	263
4	8	5	269

LOAD SWITCH PANEL ASSEMBLY



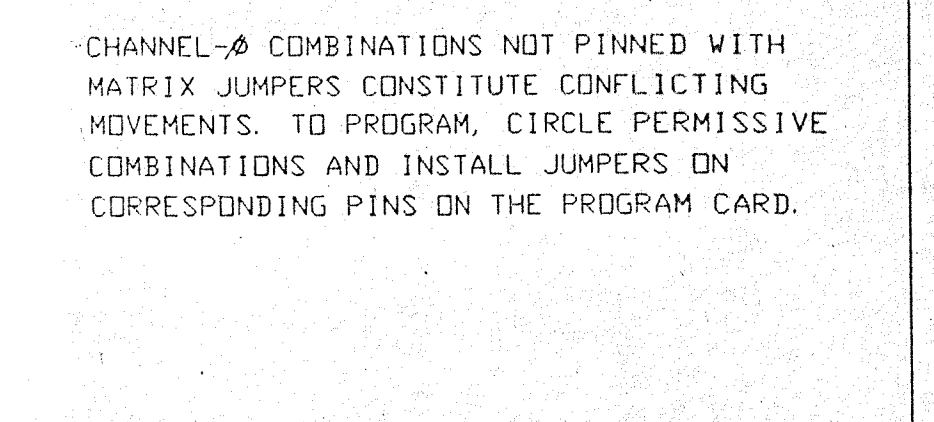
NEMA #2CH CONFLICT MONITOR

CM1		CM2	
SH	SHELL GROUND	GB1	
AL	AC-I	826B	
BL	RELAY 1 NO	148A	
CL	RELAY 2 NC	141A	
DL	CH 12 GRN	833A	
FL	CH 10 GRN	834A	
GL	CH 9 GRN	835A	
HL	CH 8 GRN #8	836A	
JL	CH 7 GRN #7	244A	
KL	CH 6 GRN #6	238A	
LL	CH 5 GRN #5	232A	
ML	CH 4 GRN #4	226A	
NL	CH 3 GRN #3	220A	
PL	CH 2 GRN #2	214A	
RL	CH 1 GRN #1	208A	
SL	+24V MONITOR I	202A	
TL	LOGIC GROUND	59B	
UL	CHASSIS GROUND	53B	
VL	AC-(NEUTRAL)	SHELL	
WL	RELAY 1 COMMON (CAG)	NB1	
XL	RELAY 2 COMMON (CLG)	850A	
YL	CH 12 YEL	829A	
ZL	CH 11 YEL	829A	
a1	CH 10 YEL	830A	
b1	CH 10 YEL	831A	
c1	CH 8 YEL #8	832A	
d1	CH 7 YEL #7	246A	
e1	CH 6 YEL #6	240A	
f1	CH 5 YEL #5	234A	
g1	CH 3 YEL #3	228A	
h1	CH 3 WK	216A	
i1	CH 2 YEL #2	843A	
j1	CH 1 YEL #1	210A	
k1	CONT. VOLT. MON.	204A	
l1	+24V MONITOR INHIBIT	1001B	
m1	RELAY 2 NO	849A	
n1	CH 12 WK	156A	
o1	CH 11 WK	837A	
p1	CH 9 WK	838A	
q1	CH 8 WK #8	840A	
r1	CH 7 WK	268A	
s1	CH 5 WK	841A	
t1	CH 4 YEL #4	842A	
u1	CH 2 WK #2	222A	
v1	CH 1 WK	250A	
z1	CH 1 WK	844A	
AA1	SPARE 1	142A	
BB1	RESET	1004B	
CC1	CAB INTERLOCK A	1003B	
DD1	CAB INTERLOCK B	1002B	
EE1	CH 6 WK #6	262A	
FF1	CH 4 WK #4	256A	
GG1	SPARE 2	143A	
HHL	SPARE 3	144A	

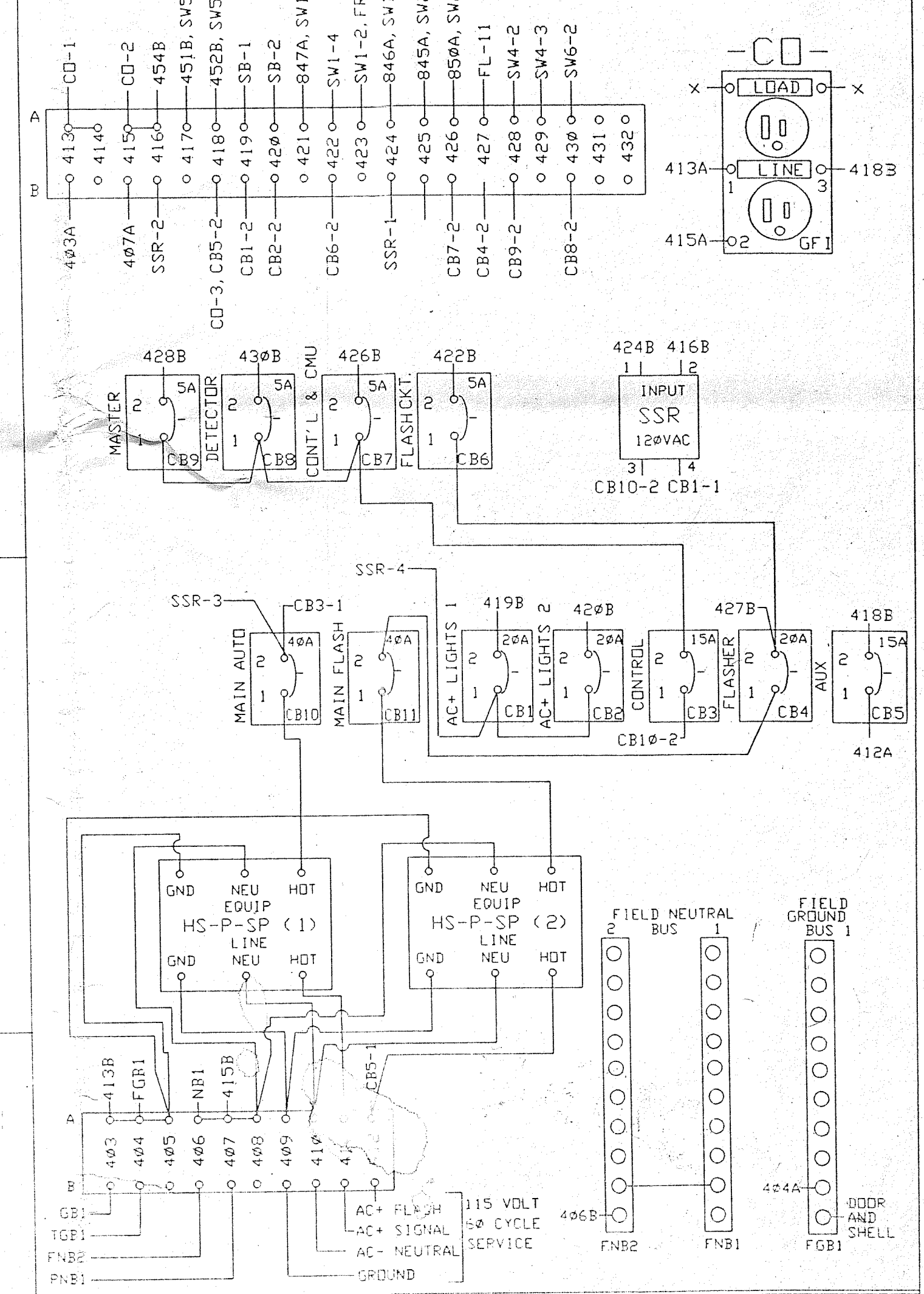
CONFLICT MONITOR MATRIX PROGRAMMING INSTRUCTIONS

1-2	2-3	3-4	4-5	5-6	6-7	7-8	8-9	9-10	10-11	11-12
1-3	2-4	3-5	4-6	5-7	6-8	7-9	8-10	9-11	10-12	
1-4	2-5	3-6	4-7	5-8	6-9	7-10	8-11	9-12		
1-5	2-6	3-7	4-8	5-9	6-10	7-11	8-12			
1-6	2-7	3-8	4-9	5-10	6-11	7-12				
1-7	2-8	3-9	4-10	5-11	6-12					
1-8	2-9	3-10	4-11	5-12						
1-9	2-10	3-11	4-12							
1-10	2-11	3-12								
1-11	2-12									
1-12										

CHANNEL COMBINATIONS NOT PINNED WITH MATRIX JUMPERS CONSTITUTE CONFLICTING MOVEMENTS. TO PROGRAM, CIRCLE PERMISSIVE COMBINATIONS AND INSTALL JUMPERS ON CORRESPONDING PINS ON THE PROGRAM CARD.



POWER PANEL ASSEMBLY (FRONT VIEW)



Riverdale Blvd
#9/ ROUND LK. BLVD. AT SHOPPING CENTER NW.
97016

REV. STATUS
SHEET 1 2 3 4
REV. D C C

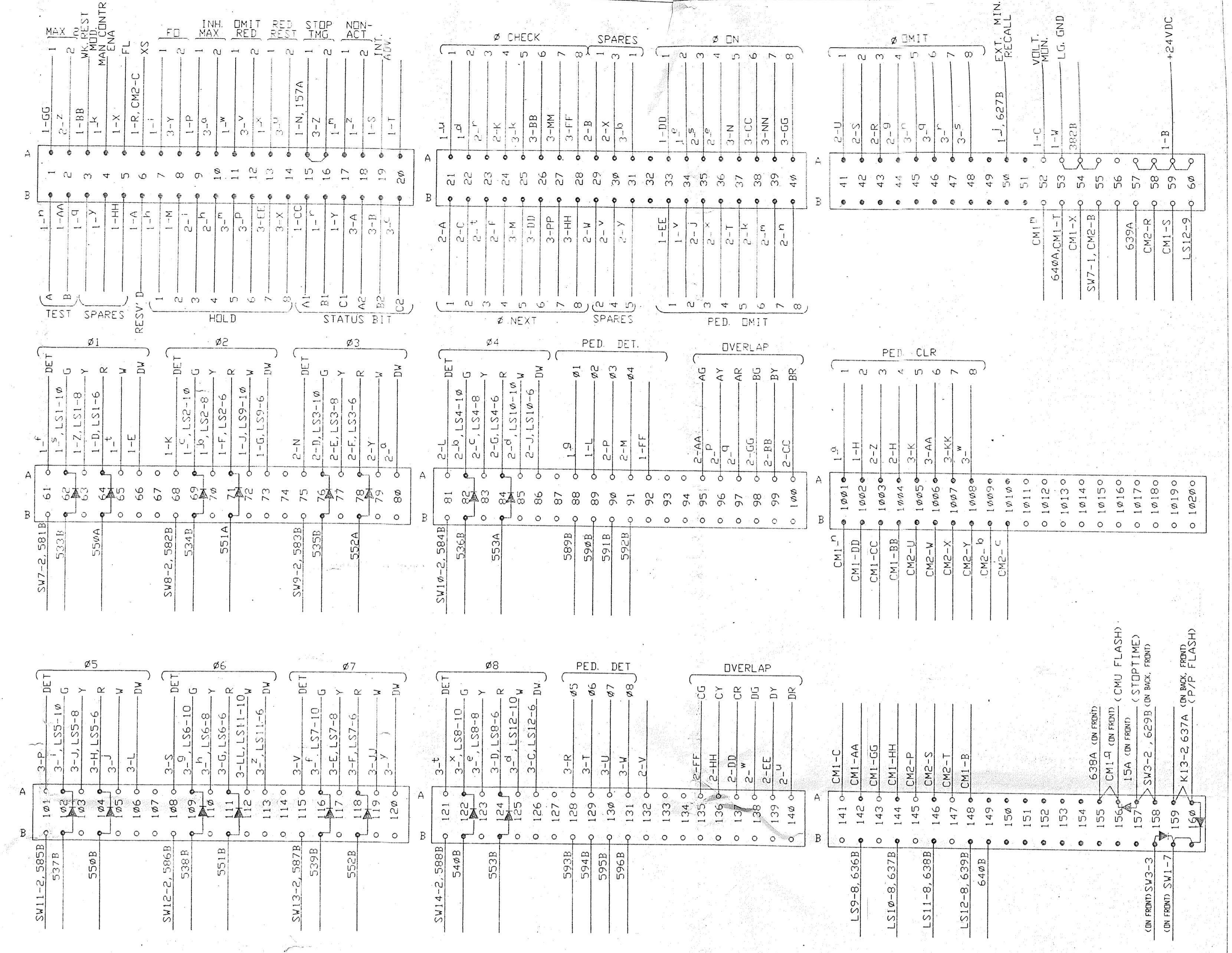
AC Electronics, Inc.
MOUNT 1997 R... CABINET

CONTROLLER INTERFACE PANEL

1	2	3
SHL SHELL GROUND 1-V	AI #1 PHASE NEXT 21B	AI STATUS BIT A2 18B
AL RESV. 59A	BI SPARE 1 29A	BI STATUS BIT B2 19B
BI 24VDC+ 68A	CI #2 PHASE NEXT 22B	CI #2 DWK 126A
CL VOLTAGE MONITOR 52A	DI #3 GRN 76A	DI #8 RED 124A
DL #1 DWK 64A	FI #3 YEL 77A	FI #7 YEL 117A
FL #2 RED 66A	GI #3 RED 78A	GI #6 RED 118A
GL #2 DWK 73A	HJ #4 PCL 84A	HJ #5 RED 111A
HL #2 PCL 1002A	KL #4 CHECK 86A	KL #5 RED 104A
IL #2 WK 72A	LI #4 DWK 24A	LI #5 PCL 103A
KL #2 VEH DET 69A	MI #4 VEH DET 81A	MI #5 DWK 106A
LL #2 PED DET 89A	NI #4 HOLD 91A	NI #5 PHASE NEXT 25B
ML #2 HOLD 88B	OL #3 VEH DET 75A	OL #5 PHASE ON 37A
NL STOP TIMING 1 15A	PL #3 PED DET 98A	PL #5 VEH DET 181A
PL INHIBIT MAX TERM 1 9A	RI #3 PHASE OMIT 43A	RI #5 PED DET 128A
R EXTERNAL START 6A	SI #2 PHASE OMIT 42A	SI #6 VEH DET 129A
S INTERNAL ADVANCE 19A	TJ #5 PED OMIT 37B	TJ #6 PED DET 129A
TI INDICATOR LAMP CONT 29A	UL #1 PHASE OMIT 41A	UL #7 PED DET 130A
UL AC- NEUTRAL 81A	VL PED RECYCLE 2 132A	VL #8 VEH DET 115A
V CHASSIS GROUND 81A	WL SPARE 2 29B	WL #9 HOLD 131A
VL LOGIC GROUND 53A	XL SPARE 3 30A	XL #8 HOLD 14B
W FLASH LOGIC OUT 5A	YL #3 WK 79A	YL #8 FORCE OFF 2 8A
X STATUS BIT C1 17B	ZL #3 PCL 1002A	ZL #8 STOP TIME 2 16A
Z #1 YEL 63A	al #3 DWK 1002A	al #8 INHIBIT MAX TERM 2 10A
a #1 PCL 79A	bl #4 GRN 82A	bl #8 SPARE 1 31A
b #2 YEL 69A	cl #4 YEL 83A	c #1 STATUS BIT C2 20B
c #2 GRN 22A	dl #4 WALK 85A	d #2 WK 125A
e #2 CHECK 34A	el #4 PHASE ON 36A	e #8 YEL 123A
f #1 VEH DET 61A	fl #4 PHASE NEXT 24B	f #7 GRN 116A
g #1 PED DET 88A	gl #4 PHASE OMIT 44A	g #6 YEL 109A
h #1 HOLD 78A	hl #4 HOLD 108A	hl #5 YEL 110A
i #1 FORCE OFF 1 7A	il #3 HOLD 95B	il #5 GRN 102A
j #1 EXT MIN RECALL ALL 59A	jl #3 PED OMIT 35B	jl #5 WK 105A
k #1 CAN. CONTROL ENABLE 4A	kl #6 PED OMIT 38B	kl #5 CHECK 105A
m #1 CALL TO NON-ACT 1 17A	ml #7 PED OMIT 39B	m #5 HOLD 25A
n #1 TEST INPUT A 13A	nl #8 PED OMIT 39B	nl #5 PHASE OMIT 11B
p #1 AC+ CONTROL 84B	pl #1 A YEL 97A	pl #6 HOLD 45A
q #1 SPARE 1 34B	ql #1 A RED 96A	ql #5 PHASE OMIT 12B
r #1 STATUS BIT B1 16B	rl #3 CHECK 97A	rl #7 PHASE OMIT 46A
s #1 WK 62A	sl #3 PHASE ON 23A	sl #8 PHASE OMIT 47A
t #1 CHECK 65A	tl #3 PHASE NEXT 23B	tl #8 VEH DET 48A
v #2 PED OMIT 21A	vl #1 D RED 140A	vl #8 RED REST MODE 2 121A
w #2 PED CLR 34B	wl #1 D GRN 30B	wl #81 RED REST CLR 2 12A
x #1 RED REST MODE 1 13A	wl #1 D RED 138A	wl #8 PCL 1009A
y #1 SPARE 2 4B	xl #4 PED OMIT 36B	xl #8 GRN 122A
z #1 CALL TO NON-ACT 1 18A	yl #4 SPARE 5 31B	yl #7 DWK 120A
aa #1 TEST INPUT B 2B	zl #1 MAX 2 SELECT 2 2A	zl #5 DWK 113A
bb #1 WALK REST MODIFIER 3A	aa #1 DL A GRN 95A	aa #5 PCL 1006A
cc #1 STATUS BIT A1 15B	bb #1 DL B YEL 99A	bb #6 CHECK 26A
dd #1 PHASE ON 33A	cc #1 DL B RED 100A	cc #6 PHASE ON 38A
ee #1 PED OMIT 33B	dd #1 DL C RED 137A	dd #7 HOLD 26B
ff #1 PED RECYCLE 1 92A	ee #1 DL D YEL 139A	ee #8 PCL 119A
gg #1 MAX 2 SELECT 1 1A	ff #1 DL C GRN 135A	ff #6 CHECK 112A
hh #1 SPARE 3 5B	gg #1 DL B GRN 98A	gg #8 PHASE ON 40A
	hh #1 DL C YEL 136A	hh #8 PHASE NEXT 20B
		hj #7 WK 119A
		kl #7 PCL 1007A
		ll #6 WK 112A
		mm #7 CHECK 27A
		nn #7 PHASE ON 39A
		pp #7 PHASE NEXT 27B

Qty	Description	Mfr. Pt. #	Manufacturer
2	Block, 20 pt. closed back	73120	Vernitron
10	Block, 20 pt. feedthrough	73620	Vernitron
8	Block, 20 pt. feedthrough	73620-59	Vernitron
2	Block, 6pt. closed back	73106	Vernitron
8	Bolt, 10-32x1/4"	10-32x1/4 SS SPMS	Adams
38	Bolt, 8-32x1/4"	8-32x1/4 SS SPMS	Adams
49	Bolt, 8-32x1/2"	8-32x1/2 SS SPMS	Adams
4	Bolt, 8-32x1/4"	8-32x1/4 SS SPMS	Adams
3	Bus bar, 3.625"	34890	Weidmuller
1	Bus bar, 6.25"	34890	Weidmuller
1	Cable 'A', blue, UL1015, 20AWG, 116'	CABLE A	TSC
1	Cable 'B', blue, UL1015, 20AWG, 116'	CABLE B	TSC
1	Cable 'C', blue, UL1015, 20AWG, 116'	CABLE C	TSC
1	Cable 'CM1', red, UL1015, 20AWG, 116'	CABLE CM1	TSC
1	Cable 'CM2', red, UL1015, 20AWG, 116'	CABLE CM2	TSC
25	Clamp, small, ZB10	116130	Weidmuller
56	Contact, female, flash plug	02-09-1104D	Molex
80	Contact, male, flash plug	02-09-2103	Molex
1	Cover, lexan, 1.75" x 12"	LEXAN/DADFBK	Cadillac
1	Cover, lexan, 2.25" x 15"	LEXAN/DADFBT	Cadillac
1	Cover, lexan, 1.875" x 12"	COVER, HOLE, FR5	Cadillac
19	Cramp, spade, 18-22 AWG	320665	AMP
20	Diode, blocking	1N4005	Motorola
12	Bracket, large	436000703B	Lifetime
17	Bracket, small	436000547B	Lifetime
8	Insulator, bus bar	25986	Weidmuller
109	Jumper, between blocks	3520	Wrico
14	Jumper, curved	7833	Vernitron
2	Label, "High Voltage", small	PLD-67	Panduit
2	Mounts, cable tie, small	TC5828	TIB
1	Panel, loadkey	9601	Excel
1	Panel, loadswitch support	9202	Excel
8	Plug, Flash, red	03-09-2154R	Molex
4	Plug, Flash, white	03-09-2154	Molex
4	Plug, Flash, yellow	03-09-2154	Molex
36	Resistor, 2.5K, 7.5W min	20J2K5	Dhrite
1	Silkscreen loadkey switch support	9202-S	SilkScreen
1	Silkscreen loadkey	9601-S	SilkScreen
4	Snubber	XE0472	Dkay
8	Socket, flash plug	03-09-1151	Molex
4	Socket, flash relay	S3-5408-LAB	Vernitron
1	Socket, flasher	S3-5406-LAB	Vernitron
14	Socket, loadswitch	S3-5412-LAB	Vernitron
1	Socket, octal, relay	SR2P-51	Vernitron
3	Standoff, 1.25"	8433	Keystone
2	Standoff, 1.625"	8436	Keystone
5	Tag, cable	8409-0356	SPC Products
8	Washer, #10, internal lock	#10 INT LOCK SS	Adams
38	Washer, #6, internal lock	#6 INT LOCK SS	Adams
48	Washer, #8, internal lock	#8 INT LOCK SS	Adams
5	Wingnuts, 8-32, nylon	0600932WN	Adams

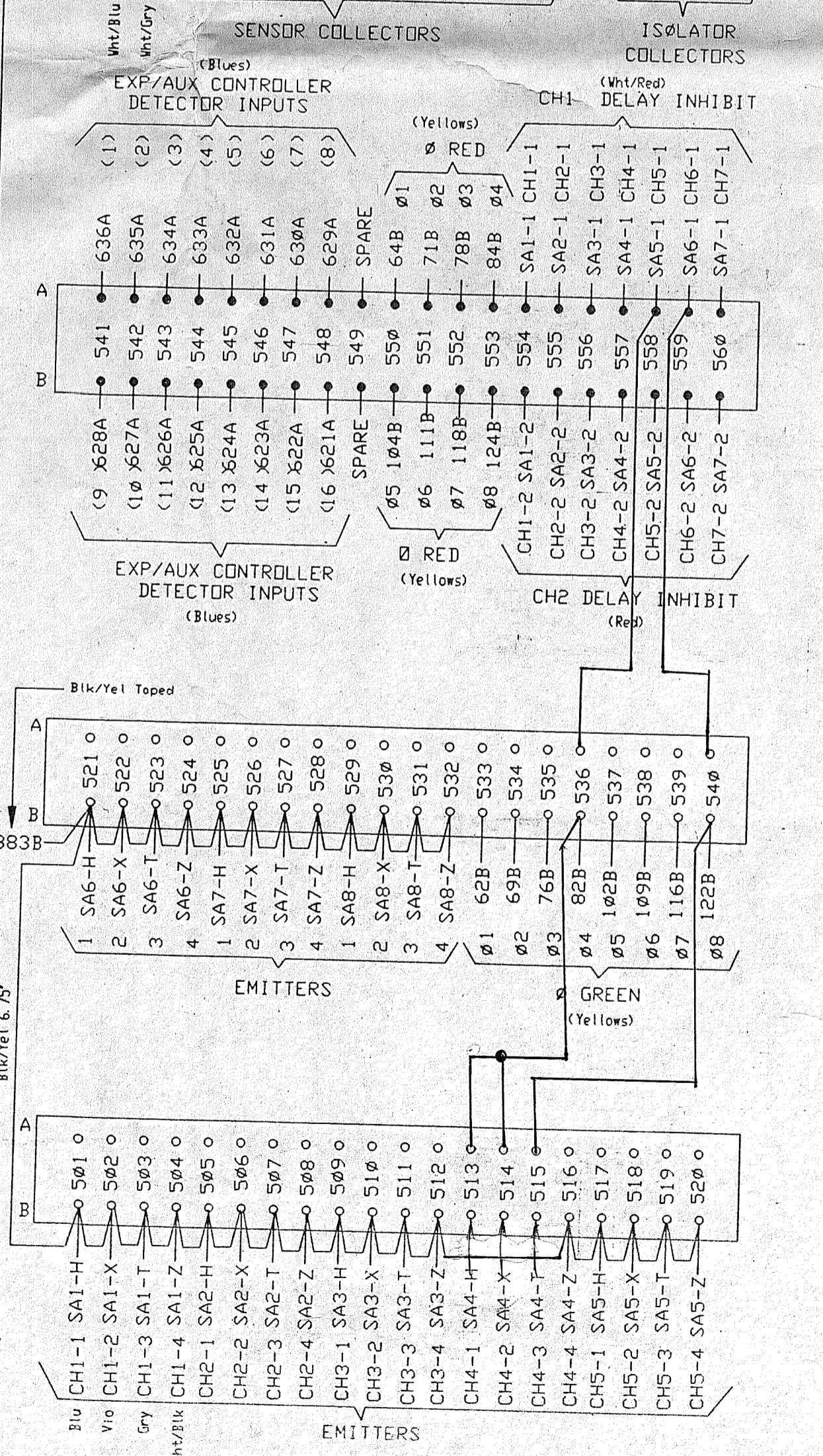
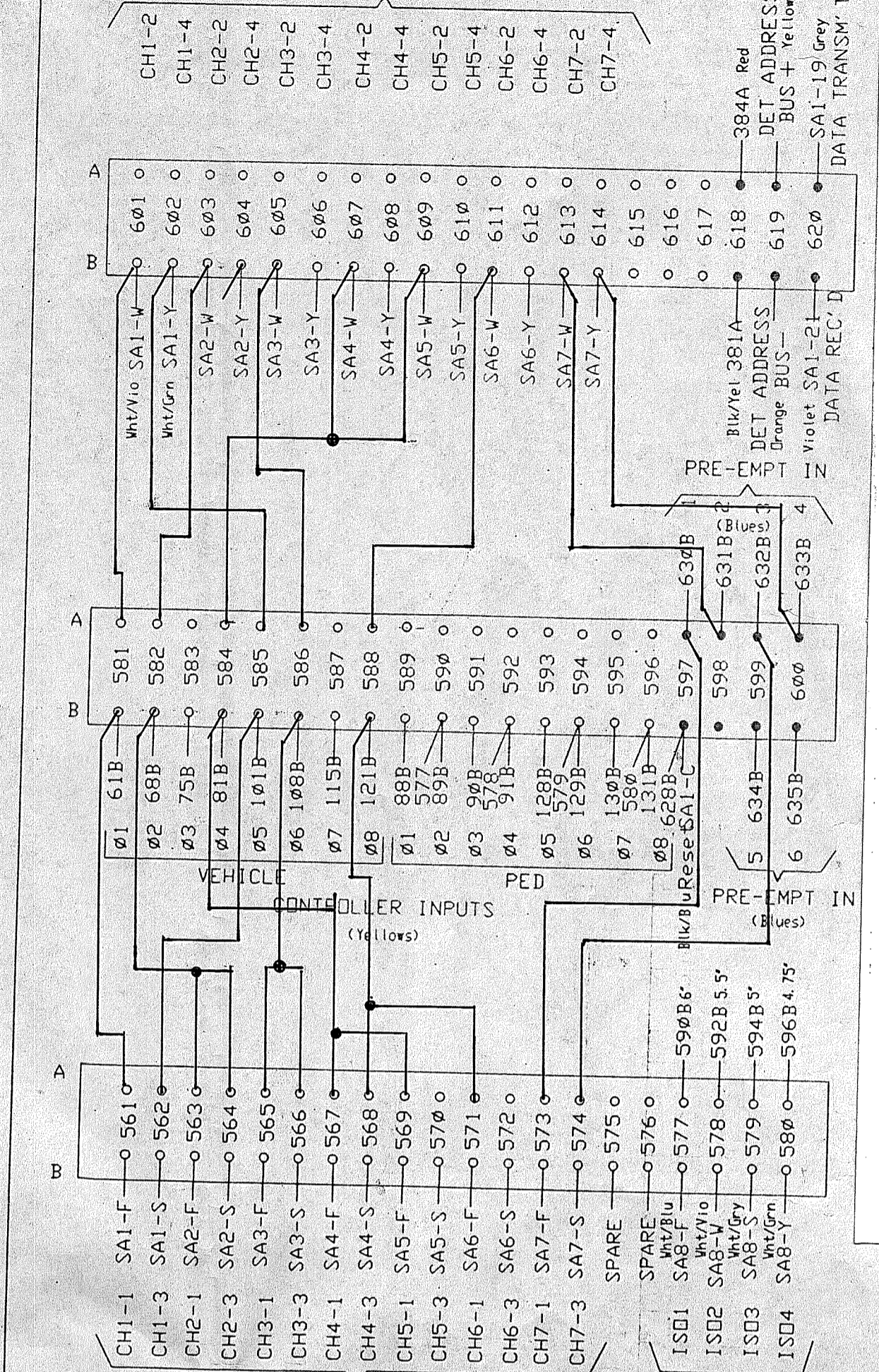
Qty	Description	Mfr. Pt. #	Manufacturer
2	Block, 10-32x1/4"	10-32x1/4 SS SPMS	Adams
0	11 hinges, 2-1/2" pieces	NA570-1-1/2	Austin
2	Panel, hinge	9603	Strand
16	Washer, #10, internal lock	#10 INT LOCK SS	Adams



Point	Wire Color	Description	Sort#	Length
1	White/Red	CH1 Delay Inhibit	2	120"
2	Red	CH2 Delay Inhibit	2	120"
3	Brown	CH1 Loop Input	3 or 4	96"
4	White/Brown	CH1 Loop Input	3 or 4	96"
5	White/Blue	CH1 Output (C)	2	120"
6	Blue	CH1 Output (E)	1	120"
7	Black/Red	CH2 Loop Input	3 or 4	96"
8	Black/White	CH2 Loop Input	3 or 4	96"
9	Orange	CH3 Loop Input	3 or 4	96"
10	White/Orange	CH3 Loop Input	3 or 4	96"
11	White/Grey	CH3 Output (C)	2	120"
12	Grey	CH3 Output (E)	2	120"
13	Yellow	CH4 Loop Input	3 or 4	96"
14	White/Yellow	CH4 Loop Input	3 or 4	96"
15	White/Violet	CH2 Output (C)	2	120"
16	Violet	CH2 Output (E)	2	120"
17	White/Green	CH4 Output (C)	2	120"
18	White/Black	CH4 Output (E)	2	120"

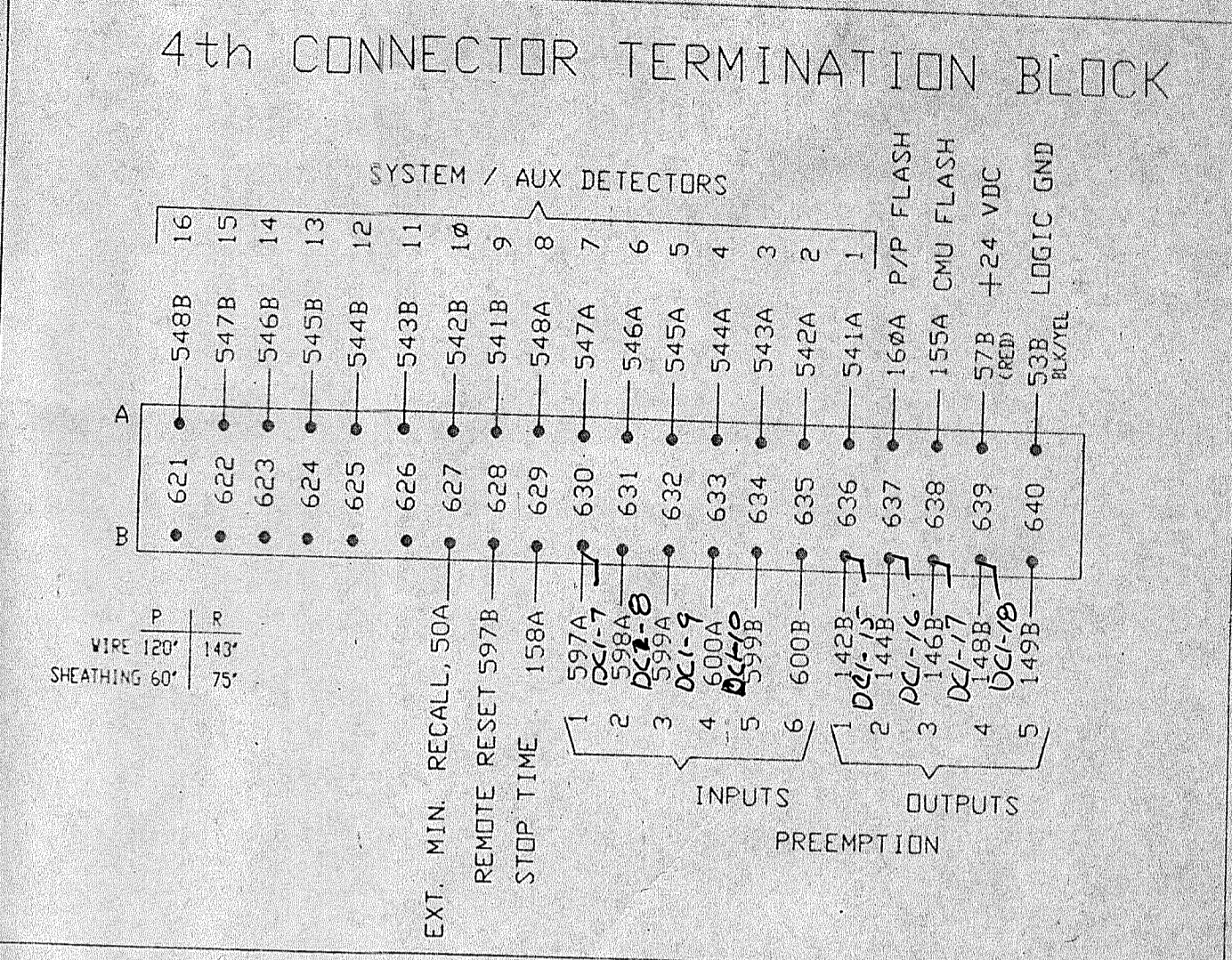
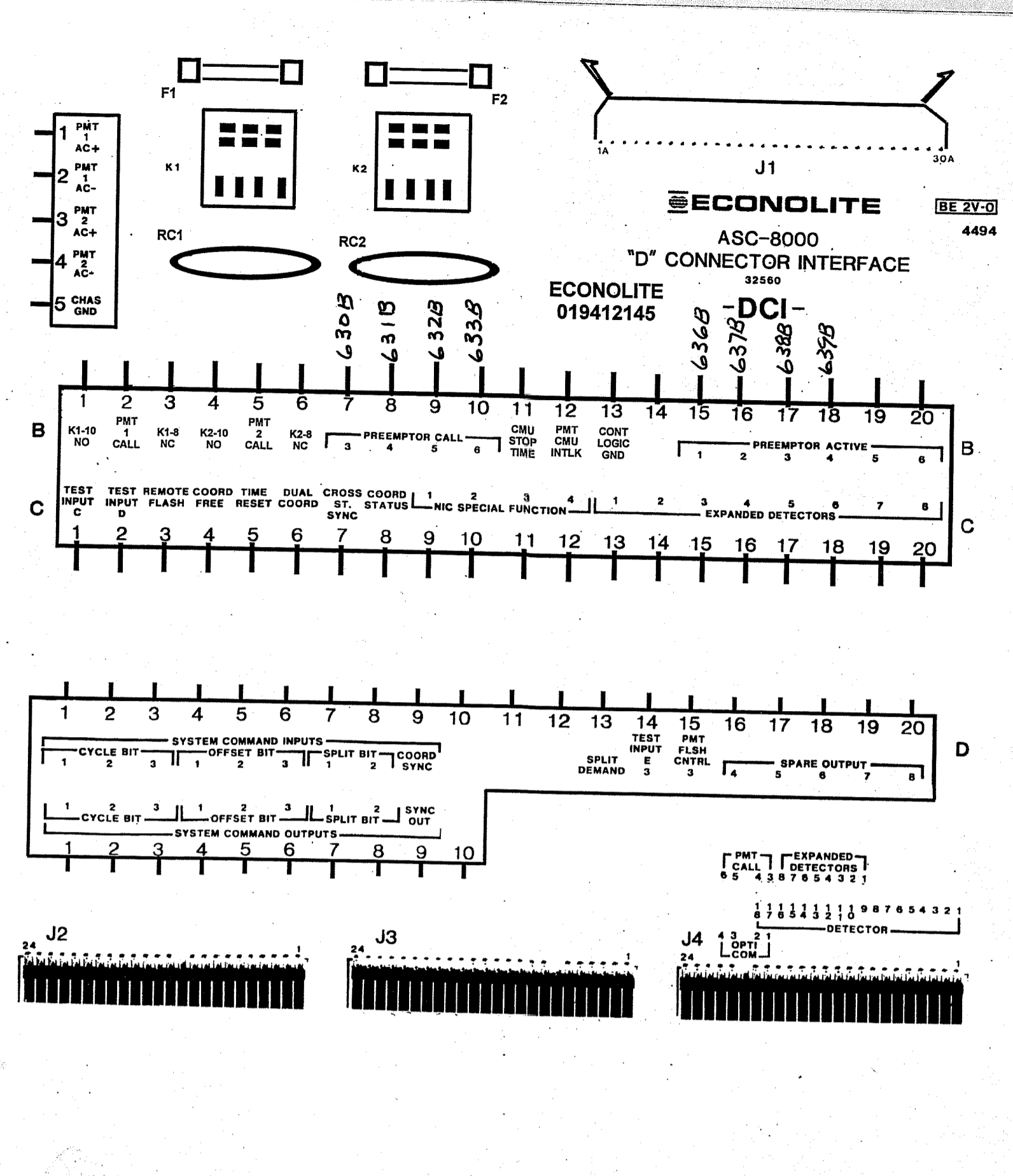
Point	Wire Color	Description	Sort#	Length
1	Black/Yellow	Logic Ground	Even	96"
2	Red	24VDC+	Even	96"
3	Black/Blue	Reset	2	120"
4				
5	Orange	Address Bit 0	2	120"
6	Yellow	Address Bit 1	2	120"
7				
8	Grey	Data Transmit	2	120"
9				
10	Violet	Data Receive	2	120"
11				
12	Green	Chassis Ground	Even	96"
13	Black	AC+	Even	96"
14	White	AC-	Even	96"

SENSOR PROGRAM PANEL
SENSOR COLLECTORS



SPECIAL FUNCTION MODULE PIN ASSIGNMENT 'D' CABLE 28022900-004

CON	FUNCTION	TERM.
1	EMERG PR 4 OUT	
2	OFFSET 3 OUT	
3	OFFSET 4 (ADD BIT 3) ON LINE	
4	DIAL 4	
5	SPECIAL FUNCTION 2 OUT	
6	FLASH OUT	
7	OFFSE 2 (ADD BIT 1)	
8	FLASH OUT	
9	OFFSE 1 (ADD BIT 0)	
10	SYSTEM DET. 6	853A
11	DIAL 5	
12	SPECIAL FUNCTION 3 OUT	
13	SYSTEM DET. 1 (SEQ. #1)	871A
14	SYSTEM DET. 4 (SEQ. #4)	874A
15	SYSTEM ENABLE	856A
16	SPARE	
17	EMERG. PR. 2 OUT	
18	RAILROAD PR. 2 OUT	
19	DIAL 2 (SPECIAL FUNCTION 2)	
20	FREE/COORD (SPECIAL FUNCTION 1)	
21	FREE/COORD OUT	
22	SPECIAL FUNCTION 1 OUT	
23	DIAL 4 OUT	
24	SYSTEM DET. 5	875A
25	SYSTEM DET. 3 (SEQ. #3)	873A
26	EMERG. PR. 1 OUT	
27	OFFSE 1 OUT	
28	EMERG. PR. 3 OUT	
29	OFFSE 3 (ADD BIT 2)	
30	FLASH STATUS	
31	SYSTEM DET. 4 (ADD BIT 4)	881A
32	SYSTEM DET. 6	882A
33	SYSTEM DET. 7	
34	OFFSE 4 OUT	
35	OFFSE 2 OUT	
36	DIAL 2 OUT	
37	DIAL 3 OUT	
38	OFFSE 5 OUT	
39	SPLIT 3 OUT	
40	SYSTEM DET. 2 (SEQ. #2)	872A
41	LOGIC GND.	
42	EMERG. PREEMPT 1	
43	EMERG. PREEMPT 2	
44	DIAL 5 OUT	
45	DIAL 6 OUT	
46	LOGIC GND.	881A
47	LOGIC GND.	882A
48	EMERG. PREEMPT 3	
49	EMERG. PREEMPT 4	
50	RAILROAD PREEMPT	
51	CONFLICT STATUS	
52	RESERVED	
53	FLASH COMMAND	
54	RESERVED	
55	RESERVED	
56	CHASSIS GND.	889A



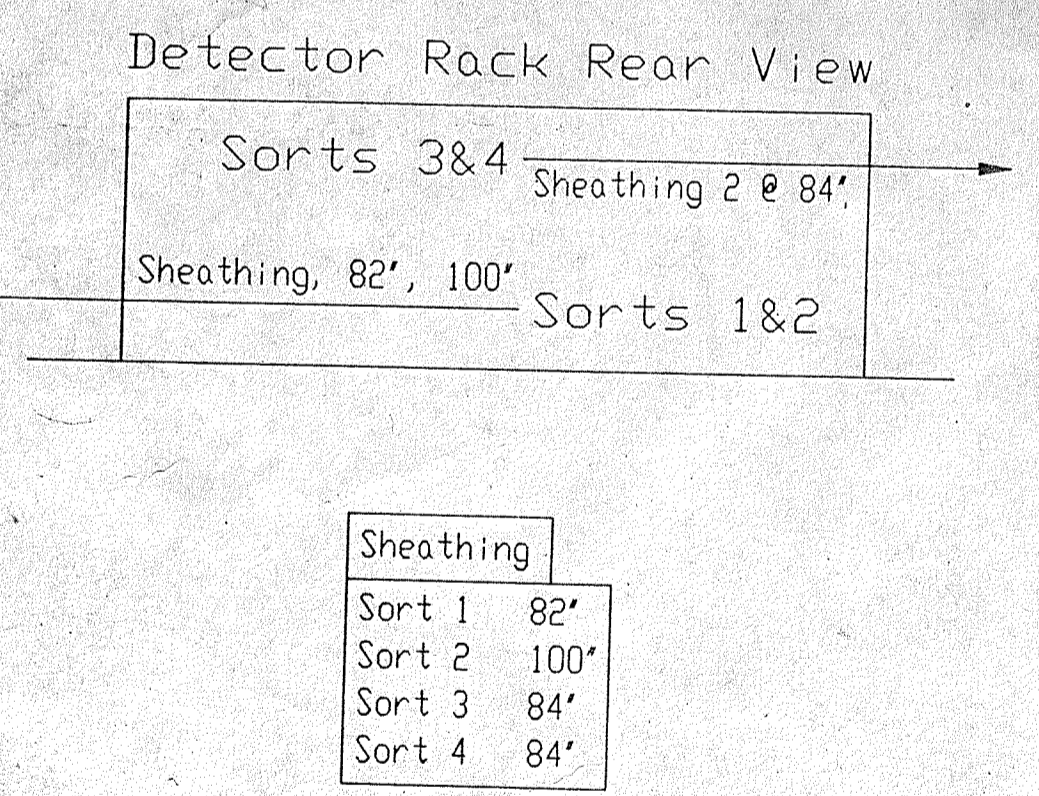
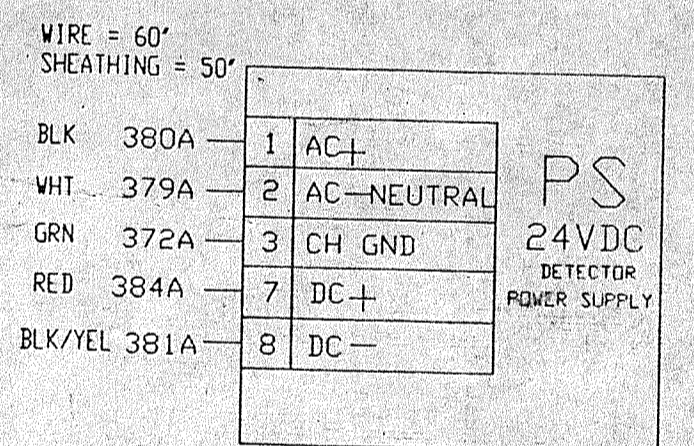
DETECTORS AND PPB ISOLATION

ALL SOCKETS ARE WIRED TO ACCEPT VEH. DET. OR EVP DISCRIMINATOR PPB ISOLATOR

P/N	RACK THAIRNESS	SA-PIN	SA1		SA2		SA3		SA4		SA5		SA6		SA7		SA8		FUNCTIONS
			PHASE	FUNC.	PHASE	FUNC.	PHASE	FUNC.	PHASE	FUNC.	PHASE	FUNC.	PHASE	FUNC.	PHASE	FUNC.	PHASE	FUNC.	
1	A	DC GROUND																	1-CALL&EXTEND
2	B	24V DC+																	2-CALL ONLY
3	C	REMOTE RESET																	3-EXTEND ONLY
4	D-4	CH 1 LOOP	303A	345A	313A	355A	323A	365A	333A	301A	379B							4-CALL ONLY DENS	
5	E-5	CH 1 LOOP	304A	346A	314A	356A	324A	366A	334A	379B								5-DLY CALL ONLY	
6	F	ADDRESS BI# 0	619B	SA1-15	SA2-10	SA3-15	SA4-15	SA5-10	SA6-15	SA7-15								6-DLY CALL ONLY	
7	G	CH 1 OUTPUT (+)	561B	563B	565B	567B	569B	571B	573B	575B								7-DLY CALL	
8	H	CH 1 OUTPUT (-)	501B	503B	505B	507B	509B	511B	513B	515B								8-IMMED EXTEND	
9	J-8	CH 2 LOOP	306A	348A	316A	358A	326A	368A	336A	378B								9-CARRY OVER	
10	K-9	CH 2 LOOP	307A	349A	317A	359A	327A	369A	337A	378B								10-ADVISORY	
11	L	ADDRESS BI# 1	619A	SA1-6	SA3-6	SA4-6	SA4-10	SA5-15	SA7-6									11-SPECIAL	
12	M	CHASSIS GROUND	340A															11-SPECIAL	
13	N	AC-	SA2-M															11-SPECIAL	
14	P-13	LOOP CH 3	308A	350A	318A	360A	328A	370A	338A	377B								11-SPECIAL	
15	R-14	LOOP CH 3	309A	351A	319A	361A	329A	371A	339A	377B								11-SPECIAL	
16	S	CH 3 OUTPUT (+)	562B	564B	566B	568B	570B	572B	574B	576B								11-SPECIAL	
17	T	CH 3 OUTPUT (-)	503B	507B	511B	515B	519B	523B	527B	531B								11-SPECIAL	
18	U-17	CH 4 LOOP	311A	353A	321A	363A	331A	373A	341A	344A								11-SPECIAL	
19	V-18	CH 4 LOOP	312A	354A	322A	364A	332A	374A	342A	347A								11-SPECIAL	
20	W	DATA TRANSMIT	620A																11-SPECIAL
21	X	DATA RECEIVE	620B																11-SPECIAL
22	Y	CH 2 OUTPUT (+)	601B	603B	605B	607B	609B	611B	613B	615B								11-SPECIAL	
23	Z	CH 2 OUTPUT (-)	502B	506B	510B	514B	518B	522B	526B	530B								11-SPECIAL	
24	1	CH 4 OUTPUT (+)	604B	608B	612B	616B	620B	624B	628B	632B								11-SPECIAL	
25	2	CH 4 OUTPUT (-)	504B	508B	512B	516B	520B	524B	528B	532B								11-SPECIAL	
26	3	CH 1 GREEN	554A	555A	556A	557A	558A	559A	560A									11-SPECIAL	
27	4	CH 2 GREEN	554B	555B	556B	557B	558B	559B	560B									11-SPECIAL	

POWER SUPPLY

Qty	Description	Mfr. Pt. #	Manufacturer
4	bolt, 4-40x1/2", phillips	4-40x1/2 SS PH HD	Adams
1	bolt, 6-32x3/4", phillips	6-32x3/4 Z F PH HD	Adams
4	bolt, 6-32x3/8", phillips	6-32x3/8 SS PH HD	Adams
4	bolt, 8-32x1/2", phillips	8-32x1/2 SS PH HD	Adams
1	connector	206705-1	App
5	contact, mole	6636-1	App
3	cover, transistor	8909NB	Thermalloy
1	crimp, 18-22AWG, #6, ring	A-220-06X	Molex-ETC
1	Fuse, 2 amp, s10-b10	313002	Littlefuse
1	flusoholder	342014A	Littlefuse
4	nut, 4-40	9209A	Excel
1	panel, base	4-40 NUT SS	Adams
1	panel, cover	9209B	Excel
1	power supply, 24VDC, 4.8	11024-4-8-512	IBD
4	rubber feet	38F1331	SPC Products
1	silkscreen base	9209A-5	SPC Products
4	washer, #4, internal lock	#4 INT LOCK SS	Adams
4	washer, #5, internal lock	#5 INT LOCK SS	Adams
4	washer, #8, internal lock	#8 INT LOCK SS	Adams



DETECTOR RACK

Qty	Description	Mfr. Pt. #	Manufacturer
18	bolt, 4-40x1/4", phillips	4-40x1/4 SS PH HD	Adams
18	washer, #4, internal lock	#4 INT LOCK SS	Adams
1	case	9411	Excel
1	circuit board	DIRKSNHC	Aztec
2	mounts, cable tie, small	TC522B	T&B
2	lamp, wire	754-20-2-10	Adel
2	bolt, 10-32x5/8"	10-32x5/8 SS SPMS	Adams
15	connector, edge	20-32 NUT SS	Adams
30	key, polarizing	091-0024-000	Wiking
1	connector, 12 pt	32 012	Altech
1	connector, 3pt	32 003	Altech
2	connector, M8/10 ID	30266	Weidmuller
10	connector, M8/14 ID	30776	Weidmuller
1	labor,assy of PC board	ASSYPCBOARD	Production Tech
2	cover, lexan, 1/8", 1-3/16"x22"	LEXANBET	Edi-Tlac
2	washer, #10, internal lock	#10 INT LOCK SS	Adams

REV. STATUS

SHEET	1	2	3
REV	C	C	C

DATE: 02-10-77
DRAWN: YRD

REVISION

AC Electronics, Inc.

ASSEMBLY PRINT

SCALE: MNDI