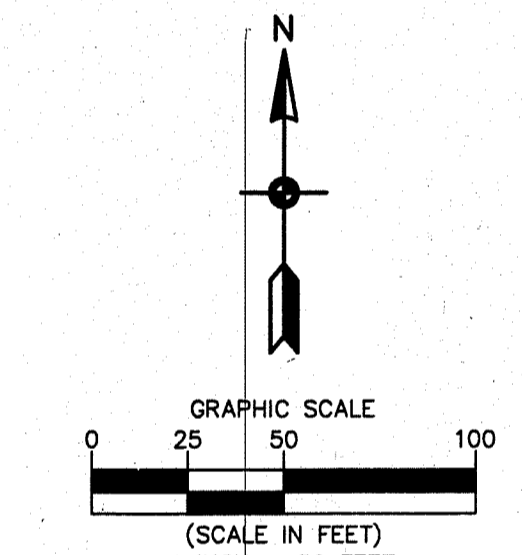
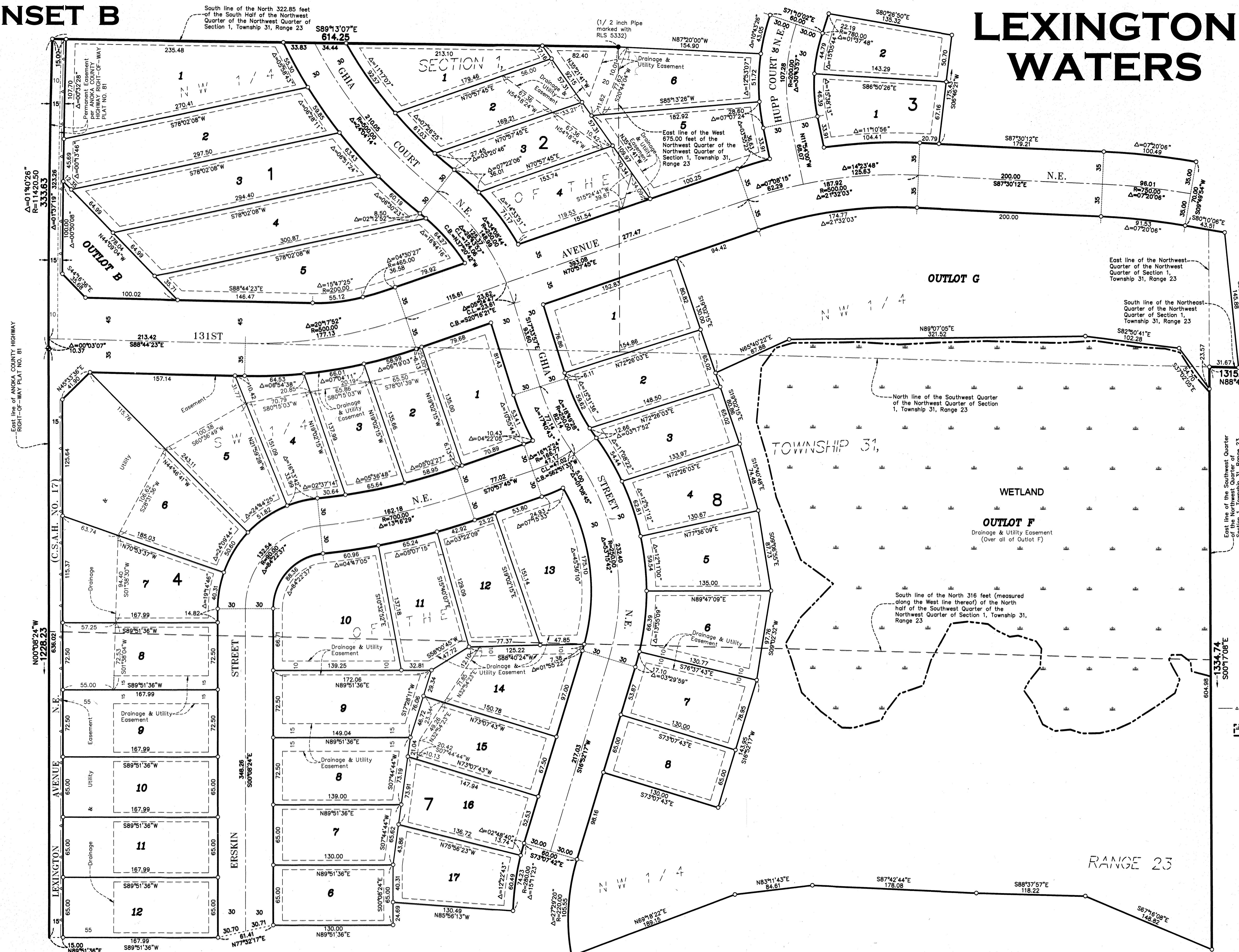


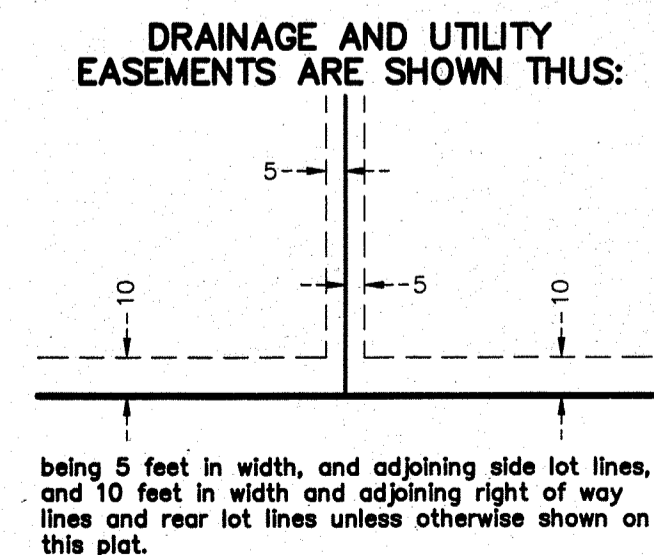
INSET B

LEXINGTON WATERS

CITY OF BLAINE
COUNTY OF ANOKA
SEC. 1, TWP. 31, RGE. 23



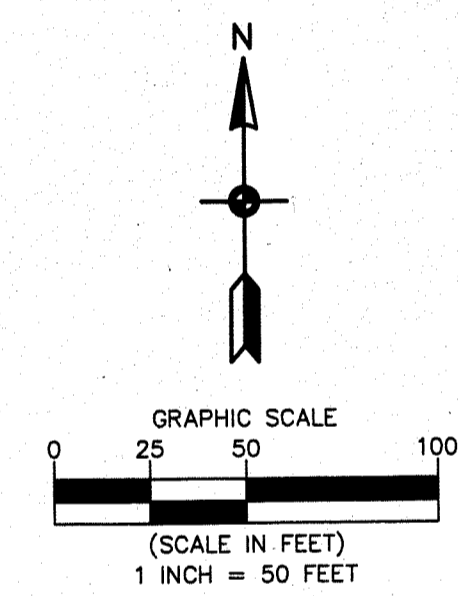
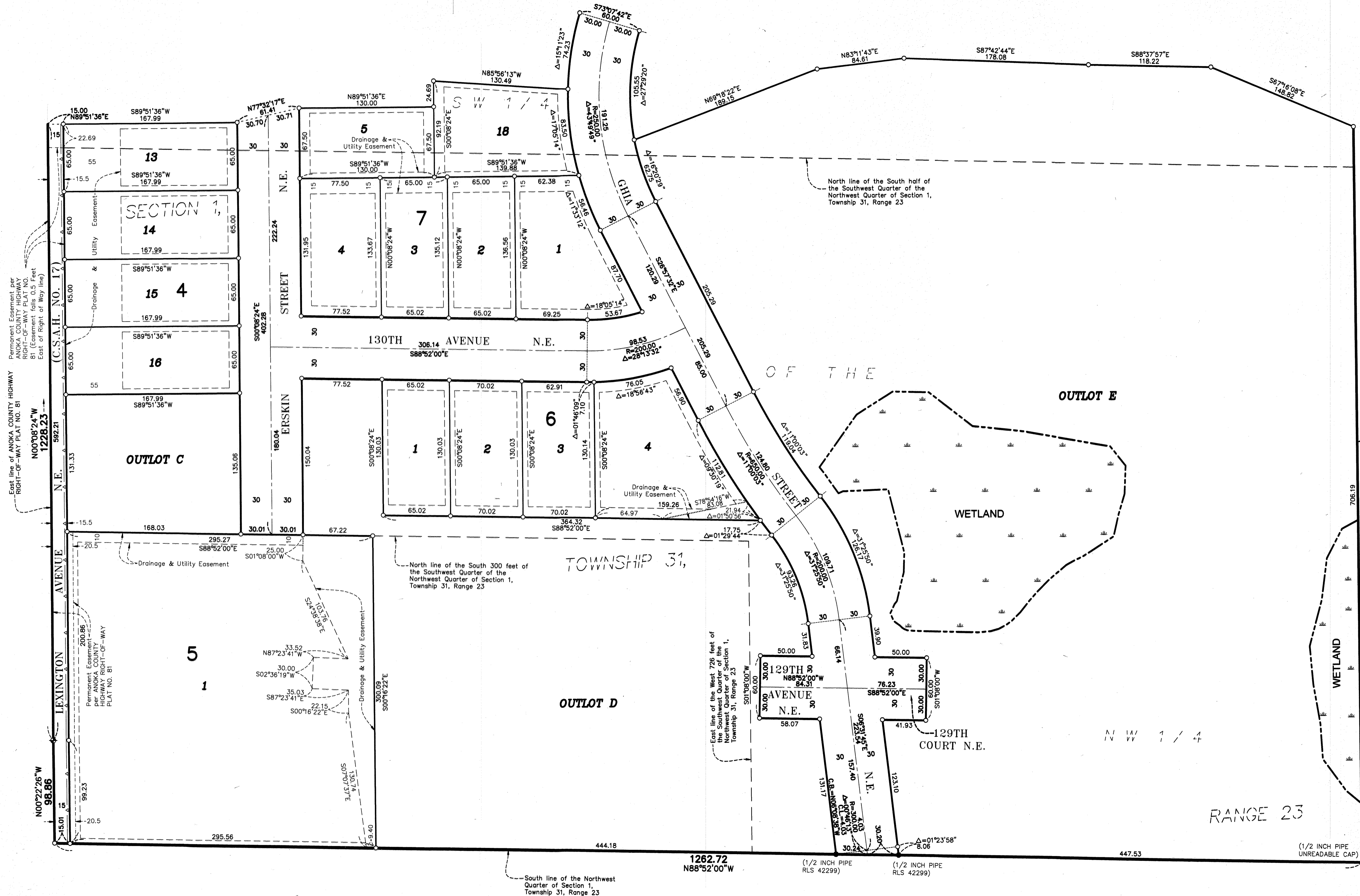
- For the purposes of this plat, the North line of the Northwest Quarter of Section 1, Township 31, Range 23, is assumed to bear S89°41'51"E
- Denotes Found Anoka Right of Way Monument with 2 inch by 2 inch Square Aluminum Cap
- Denotes 5/8 inch by 14 inch Rebar, set or to be set within one year of recording of this plat and marked with license number 40361
- Denotes Found Iron Monument unless otherwise noted
- Denotes Right of Access dedicated to Anoka County
- Denotes Wetlands provided by Kjoiaug Environmental Services Company in 2021



INSET C

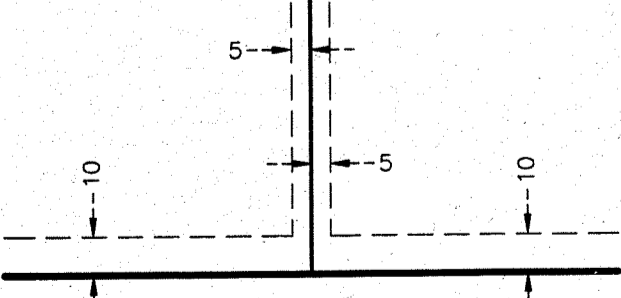
LEXINGTON WATERS

CITY OF BLAINE
COUNTY OF ANOKA
SEC. 1, TWP. 31, RGE. 23



- For the purposes of this plat, the North line of the Southwest Quarter of the Northwest Quarter of Section 1, Township 31, Range 23, is assumed to bear S89°41'51\"E.
- ◆ Denotes Found Anoka Right of Way Monument with 2 inch by 2 inch Square Aluminum Cap
 - Denotes 5/8 inch by 14 inch Rebar, set or to be set within one year of recording of this plat and marked with license number 40361
 - Denotes Found Iron Monument unless otherwise noted
 - △ Denotes Right of Access dedicated to Anoka County
 - ▭ Denotes Wetlands provided by Kjolhaug Environmental Services Company in 2021

DRAINAGE AND UTILITY EASEMENTS ARE SHOWN THUS:

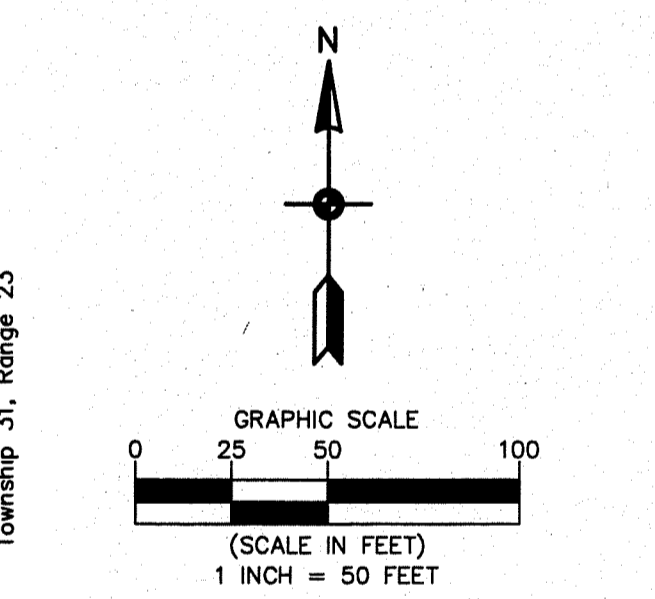
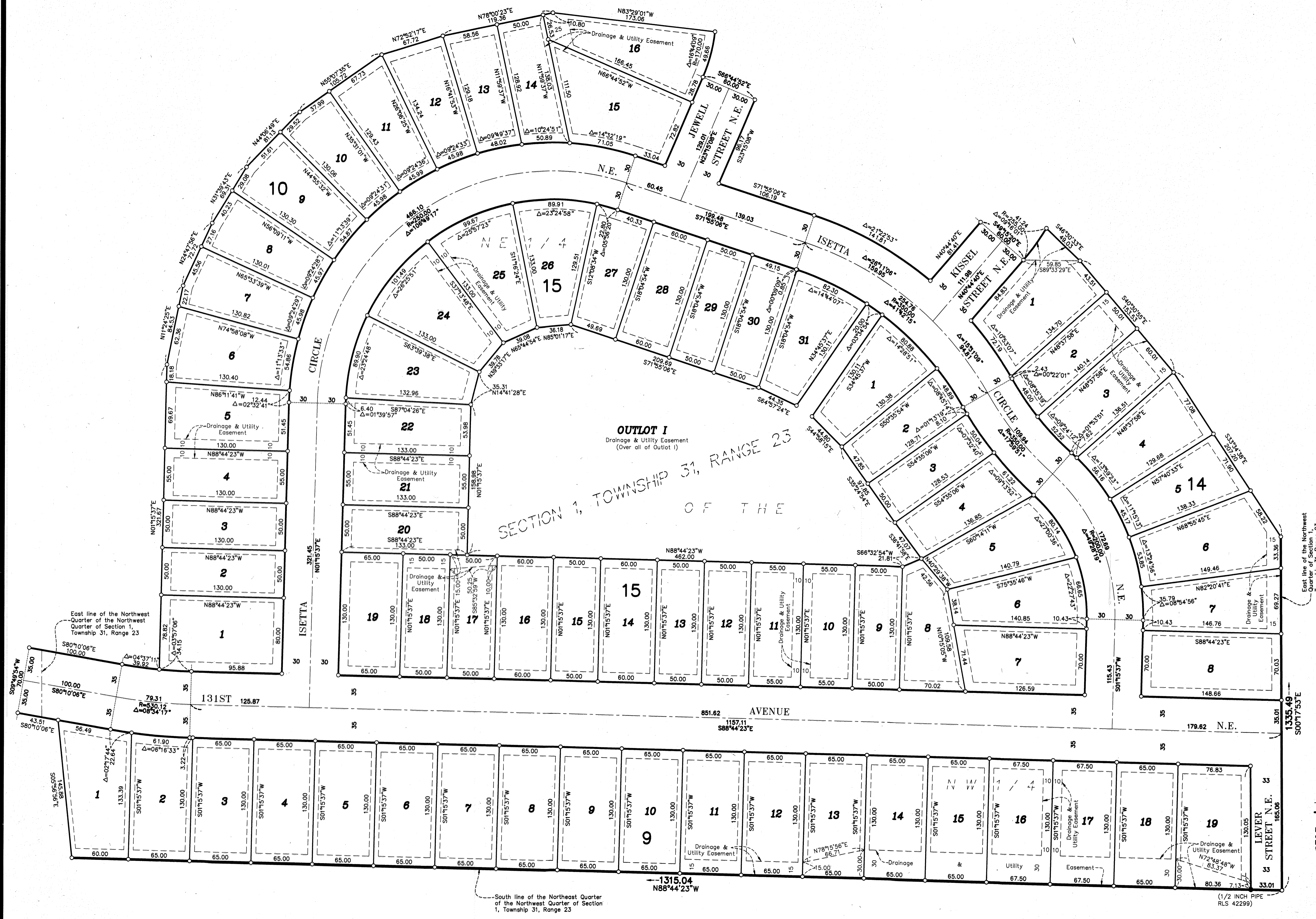


being 5 feet in width, and adjoining side lot lines, and 10 feet in width and adjoining right of way lines and rear lot lines unless otherwise shown on this plat.

INSET D

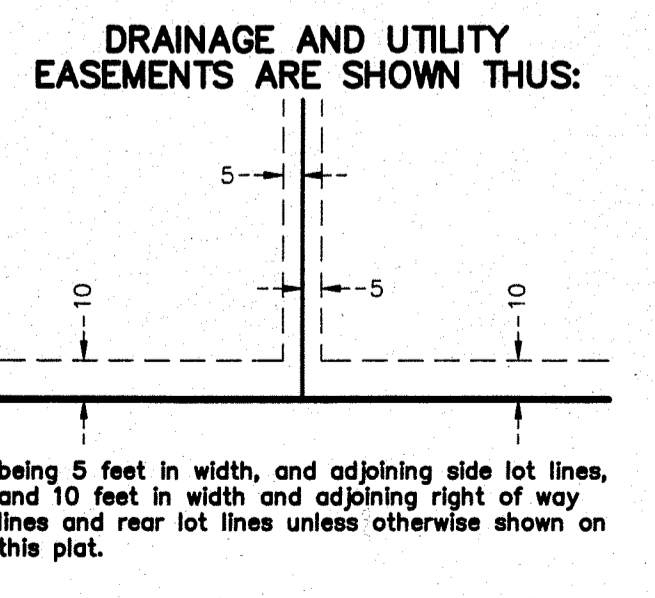
LEXINGTON WATERS

CITY OF BLAINE
COUNTY OF ANOKA
SEC. 1, TWP. 31, RGE. 23



For the purposes of this plat, the North line of the Northwest Quarter of Section 1, Township 31, Range 23, is assumed to bear S89°41'51".

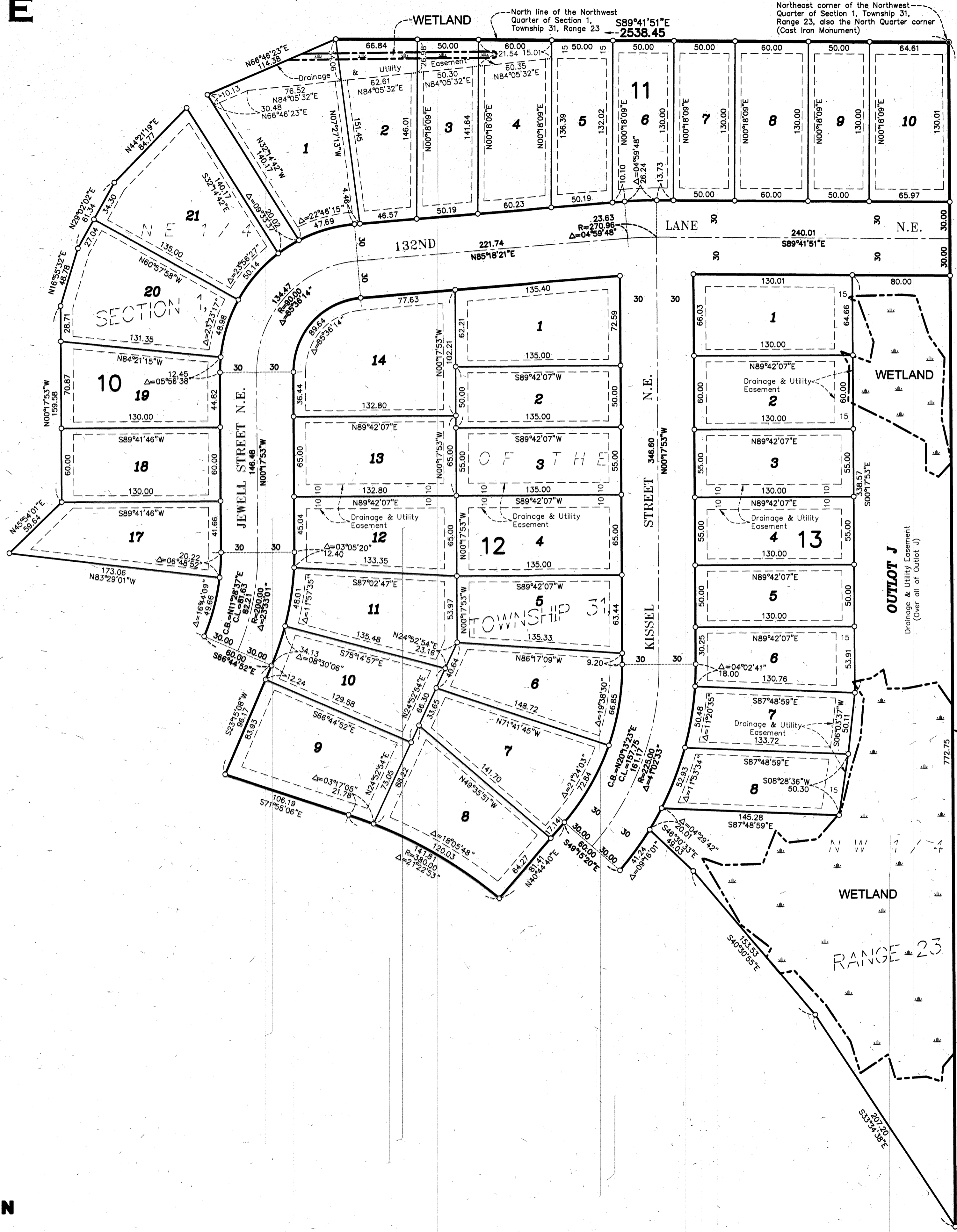
- Denotes 5/8 inch by 14 inch Rebar, set or to be set within one year of recording of this plat and marked with license number 40361
- Denotes Found Iron Monument unless otherwise noted



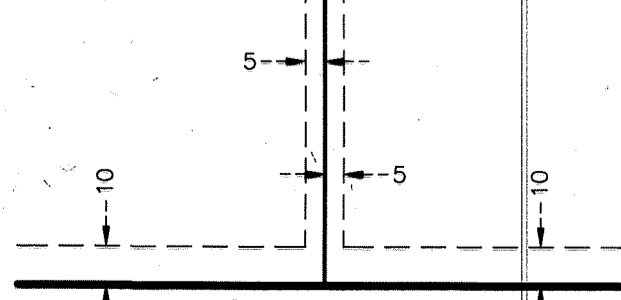
INSET E

CITY OF BLAINE
COUNTY OF ANOKA
SEC. 1, TWP. 31, RGE. 23

LEXINGTON WATERS



DRAINAGE AND UTILITY EASEMENTS ARE SHOWN THUS:



being 5 feet in width, and adjoining side lot lines, and 10 feet in width and adjoining right of way lines and rear lot lines unless otherwise shown on this plat.

For the purposes of this plat, the North line of the Northwest Quarter of Section 1, Township 31, Range 23, is assumed to bear S89°41'51\"/>

Denotes 5/8 inch by 14 inch Rebar, set or to be set within one year of recording of this plat and marked with license number 40361

Denotes Found Anoka County Cast Iron Monument

Denotes Wetlands provided by Kjolhaug Environmental Services Company in 2021

