

CERTIFICATE OF LOCATION OF GOVERNMENT CORNER

County of Anoka

State of Minnesota

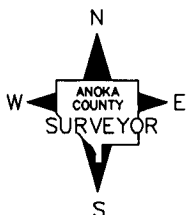
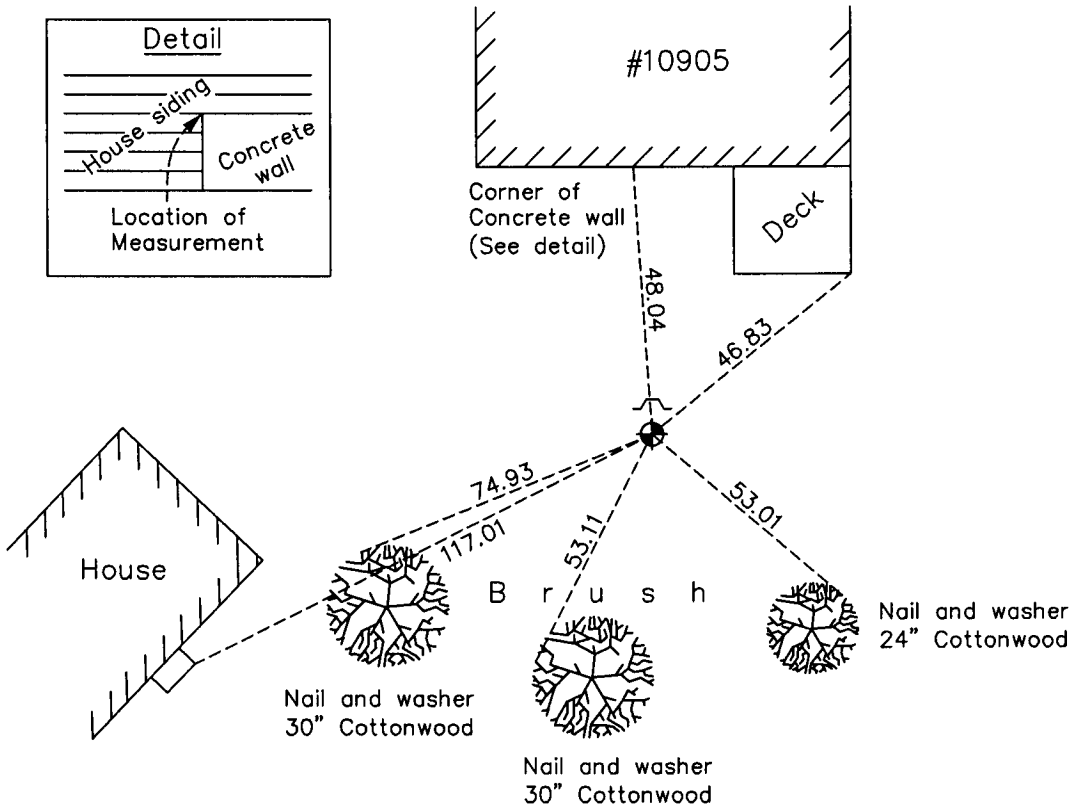
North 1/4 Corner of Sec. 23 Township 31 Range 24

On the 1st day of August, 1960, the described corner was evidenced by a concrete monument

and to perpetuate the location of said corner, at the exact location thereof, a permanent marker was placed consisting of a cast iron monument with a sign and post on the north side

AND on the 15th day of March, 2010, said permanent marker was found and the ties were updated

Updated reference ties are as shown below.



N.A.D. 1983 Coordinates
(1996 Adjustment)

County Project Coordinates	
Northing	148365.0394
Easting	492162.7899
Date	10/23/01

Revision Date
5/17/10

I hereby certify that this United States public land survey monument record is correct and complete to the best of my knowledge and belief.

Larry D. Holium Date 5/17/10

Larry D. Holium, Anoka County Surveyor

Minnesota License Number 18165

HISTORY OF GOVERNMENT CORNER

Page No. 67

County of Anoka

State of Minnesota

North 1/4 Corner of Sec. 23 Township 31 Range 24

CORNER HISTORY:

1957 - Minder Engineering Company found concrete monument set up 6". Established ties to monument.

August 1, 1960 - Found concrete monument flush with the surface with an iron pipe on the north side and updated ties. Monument is under highline running east-west.

June 23, 1964 - Found concrete monument and updated ties.

July 18, 1966 - Replaced cast iron monument (missing and date set unknown) with a new cast iron monument. Updated ties.

July 30, 1970 - Found cast iron monument and updated ties.

July 9, 1974 - Found cast iron monument and updated ties.

July 10, 1980 - Found cast iron monument and updated ties.

June 8, 1988 - Replaced broken cast iron monument with a new cast iron monument using position of broken monument base. Set a sign and post on the north side and updated ties.

August 28, 1990 - Found cast iron monument with sign and post on the north side and updated ties.

August 22, 1994 - Found cast iron monument and updated ties.

October 23, 2001 - Found cast iron monument and established NAD 1983 (1996 Adjustment) Anoka County Project Coordinates by Static GPS methods. Updated ties.

March 15, 2010 - Found cast iron monument with sign and post on the north side and updated ties.