

# CERTIFICATE OF LOCATION OF GOVERNMENT CORNER

County of Anoka

State of Minnesota

## Meander Corner of Sec. 36 Township 30 Range 24

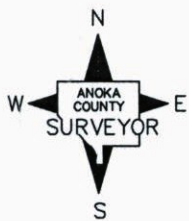
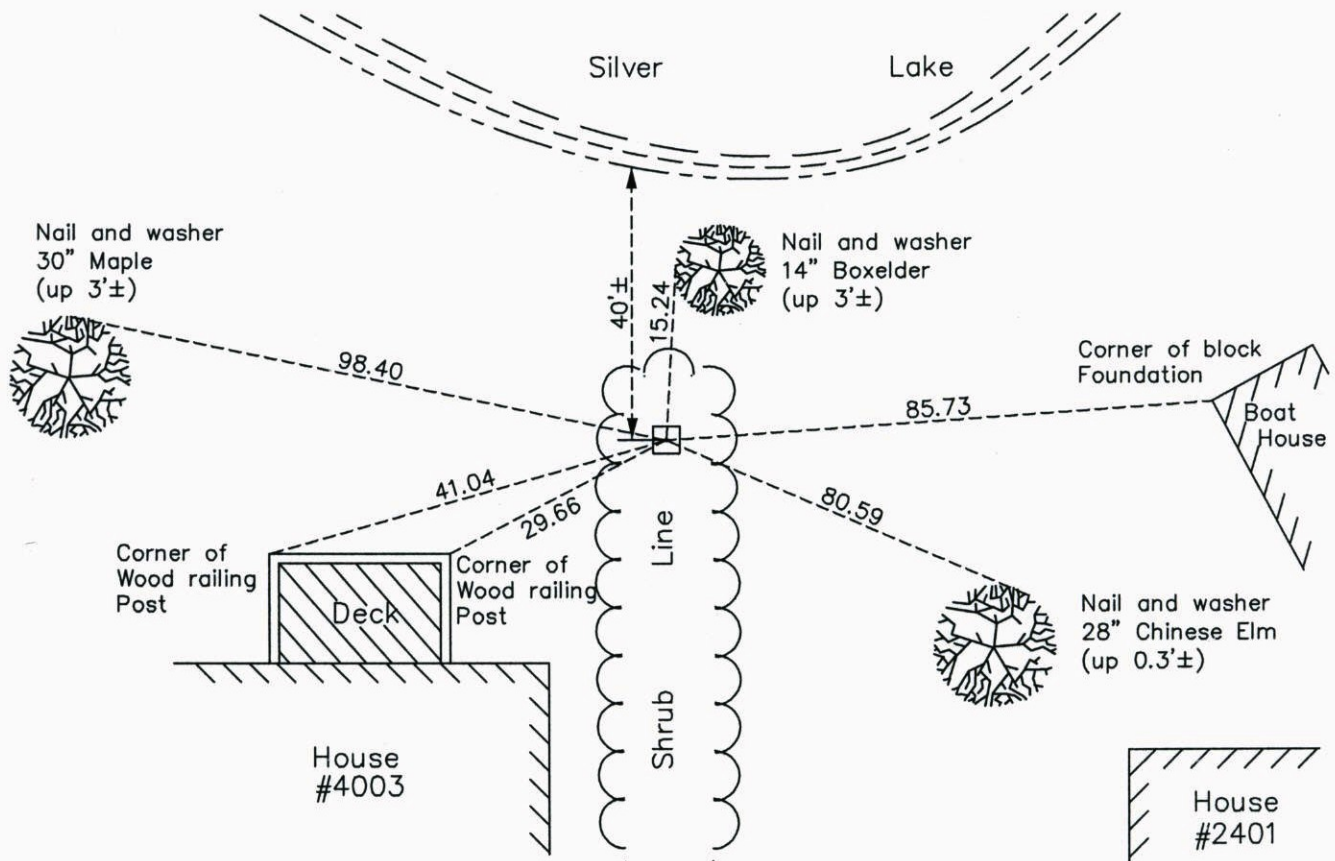
(on south side of Silver Lake)

On the 8th day of July, 1960, the described corner was evidenced by a granite monument

and to perpetuate the location of said corner, at the exact location thereof, a permanent marker was placed consisting of the same granite monument

AND on the 4th day of November, 2014, said permanent marker was found and the ties were updated

Updated reference ties are as shown below.



Revision Date  
3/31/15

N.A.D. 1983 Coordinates  
(1996 Adjustment)

County Project Coordinates	
Northing	102446.2662
Easting	510259.7420
Date	1/04/05

I hereby certify that this United States public land survey monument record is correct and complete to the best of my knowledge and belief.

*Larry D. Hoium* Date 3/31/15

Larry D. Hoium, Anoka County Surveyor  
Minnesota License Number 18165