

CERTIFICATE OF LOCATION OF GOVERNMENT CORNER

County of Anoka

State of Minnesota

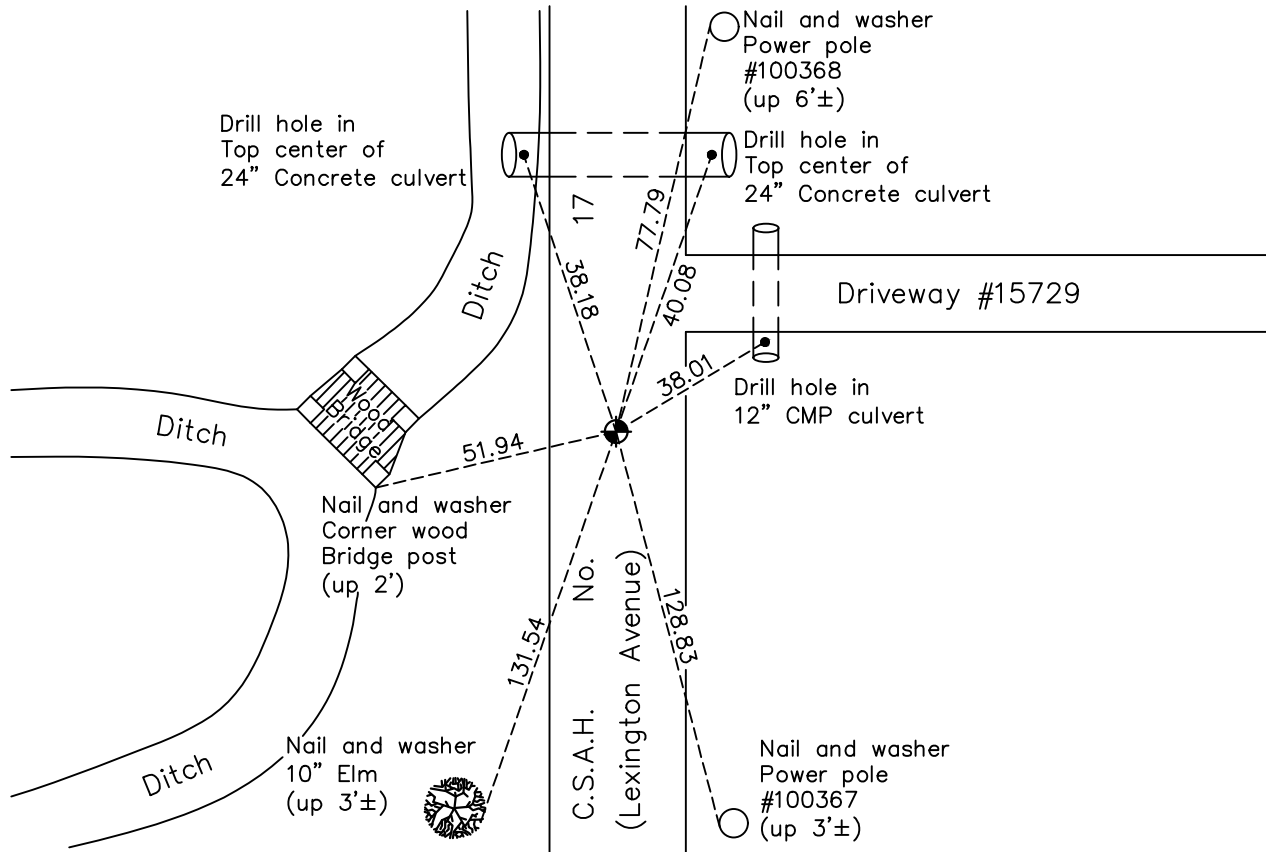
South 1/4 Corner of Sec. 13 Township 32 Range 23

On the 2nd day of December, 1965, the described corner was evidenced by area resurvey

and to perpetuate the location of said corner, at the exact location thereof, a permanent marker was placed consisting of a cast iron monument

AND on the 13th day of April, 2021, said permanent marker was found flush and 0.5'± west of the center line. The ties were updated.

Updated reference ties are as shown below.



Revision Date
7/21/2021

N.A.D. 1983 Coordinates
(1996 Adjustment)

County Project Coordinates	
Northing	<u>179936.4320</u>
Easting	<u>529440.1545</u>
Date	<u>1/16/02</u>

I hereby certify that this United States public land survey monument record is correct and complete to the best of my knowledge and belief.

David Zieglmeier Date 7/14/22

David Zieglmeier Anoka County Surveyor
Minnesota License Number 46179

HISTORY OF GOVERNMENT CORNER

Page No. 66

County of Anoka

State of Minnesota

South 1/4 Corner of Sec. 13 Township 32 Range 23

CORNER HISTORY:

February 1855 - This corner was established by Hiram Taylor, Deputy Surveyor. Taylor marked the position by "Set quarter section post" with two bearing trees marked as accessories.

December 2, 1965 - Set P.K. spike using area resurvey. Established ties to spike.

August 2, 1966 - Found P.K. spike and replaced with a cast iron monument flush. Updated ties.

September 1, 1967 - Found cast iron monument and updated ties.

May 27, 1971 - Found cast iron monument top missing. Replaced monument top.

June 16, 1972 - Found cast iron monument down and raised flush.

June 13, 1975 - Found cast iron monument and updated ties.

June 13, 1978 - Found cast iron monument and updated ties.

June 26, 1984 - Found cast iron monument and updated ties.

January 2, 1991 - Found cast iron monument and updated ties.

November 20, 1991 - Found cast iron monument and updated ties.

August 2, 1996 - Found cast iron monument and updated ties.

January 16, 2002 - Established NAD 1983 (1996 adj.) Anoka County project coordinates by static GPS methods.

April 30, 2010 - Found cast iron monument. Updated ties prior to road construction. Loosened monument top.

July 16, 2010 - Raised cast iron monument top flush after road construction. Updated ties.

April 19, 2011 - Found cast iron monument and updated ties.

March 13, 2017 - Found cast iron monument flush and $0.5' \pm$ west of center line. Verified position by VRS GPS methods. Updated ties.

April 13, 2021 - Found cast iron monument flush and $0.5' \pm$ west of center line. Verified position by VRS GPS methods. Updated ties.