

CERTIFICATE OF LOCATION OF GOVERNMENT CORNER

County of Anoka

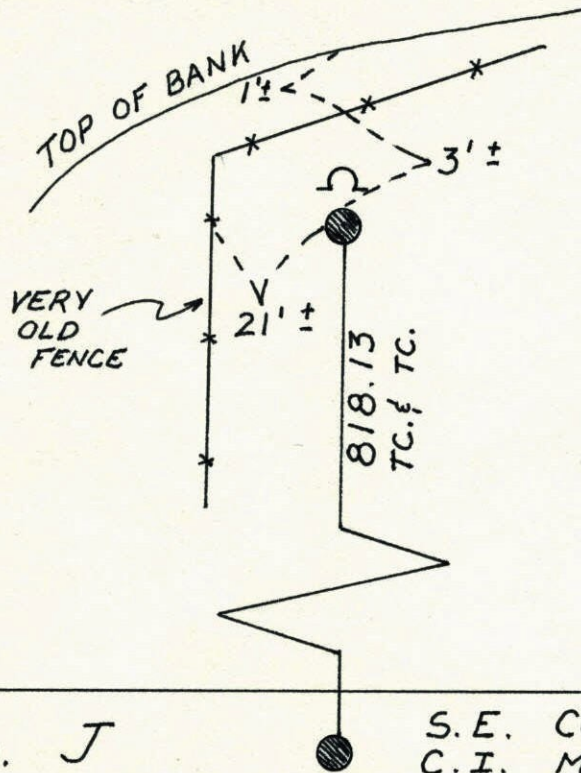
State of Minnesota

WITNESS Corner of Sec. 33 Township 31 Range 22
EAST LINE

I hereby certify that on the 3 day of MAY, 1971, I found the described corner which was evidenced by AREA RESURVEY

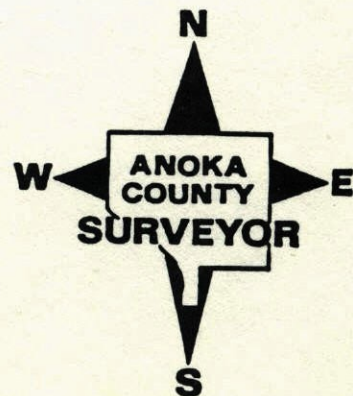
and I further certify that to perpetuate the location of said corner, I did, at the exact location thereof, place a permanent marker consisting of CAST IRON MON. SIGN POST NORTH SIDE

which reference or witness monuments are located in the manner following:



N.A.D.	1983	Co-ordinates
County	Project	Co-ordinates
Northing	<u>133243.2778</u>	* 106
Easting	<u>547834.0731</u>	
State Plane Co-ordinates		
Y	_____	
X	_____	
Date	_____	

Revised date	Revised date	Revised date
8-12-80		
7-9-86		
10-30-91		
8-18-96		
4-2-98		

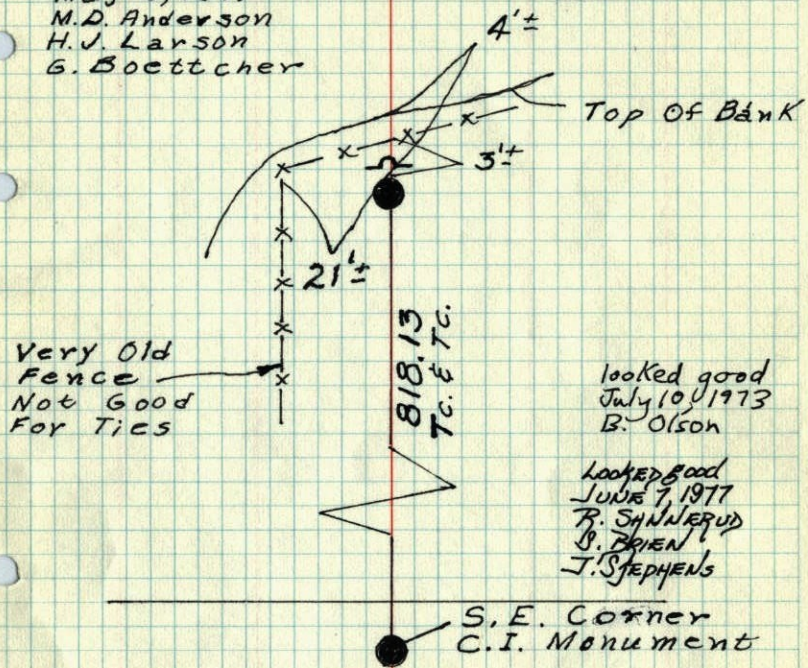


133A

W.C. on E. Line Sec. 33-T31-R22

Distance 818.13 North Of S.E. Cor. Sec. 33
 Set From Area Resurvey
 set Steel Sign Post & Warning
 sign $1\frac{1}{2}'$ N of Monument

May 3, 1971
 M.D. Anderson
 H.V. Larson
 G. Boettcher



looked good
 July 10, 1973
 B. Olson

looked good
 June 7, 1977
 R. SHANNERUD
 S. BRIEN
 J. STEPHENS

S.E. Corner
 C.I. Monument

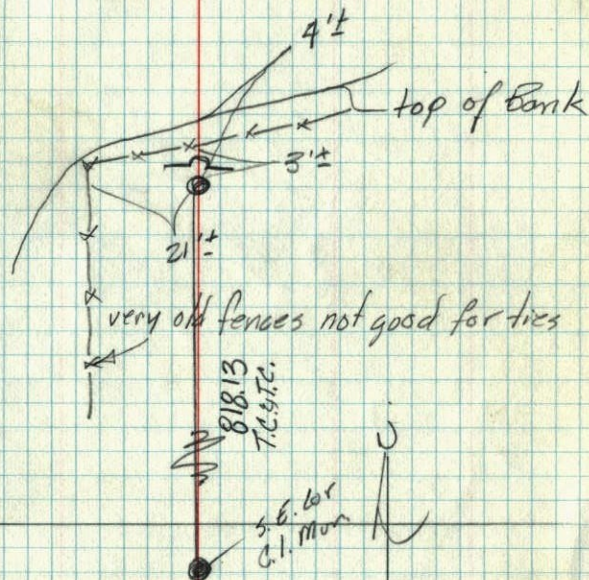
C.I. STILL IN PLACE
 AND SOLID
 8-12-80
 B. STEPHENS

TEMPERATURE CORRECTED
 AND HORIZONTALLY
 TAPED MEASUREMENTS

ROLAND W. ANDERSON
 COUNTY SURVEYOR
 ANOKA COUNTY, MINNESOTA

1971
 W.C. on E. line Sec. 33-T31-R22
 Distance 818.13 North of S.E. Cor. Sec. 33

set from area resurvey
 set steel sign post & warning sign $1\frac{1}{2}'$ N.



May 3, 1971

M.D. Anderson
 H.V. Larson
 G. Boettcher